



US00D707386S

(12) **United States Design Patent**
McKenzie et al.

(10) **Patent No.:** **US D707,386 S**
(45) **Date of Patent:** **** Jun. 17, 2014**

(54) **HOUSING ASSEMBLY FOR MULTIPLE LED LIGHTS**

(71) Applicants: **Cammie McKenzie**, Palmdale, CA (US); **Julie McKenzie**, Palmdale, CA (US)

(72) Inventors: **Cammie McKenzie**, Palmdale, CA (US); **Julie McKenzie**, Palmdale, CA (US)

(**) Term: **14 Years**

(21) Appl. No.: **29/457,548**

(22) Filed: **Jun. 11, 2013**

(51) **LOC (10) Cl.** **26-99**

(52) **U.S. Cl.**
USPC **D26/142**

(58) **Field of Classification Search**
CPC F21S 4/008; F21S 6/004; F21S 6/005; F21S 6/006; F21S 6/007; F21S 6/008; F21S 9/037
USPC D26/24, 39, 59, 67, 68, 69, 70, 71, 72, D26/74, 77, 80, 88, 89, 138, 139, 140, 141, D26/142, 151, 152; 313/115, 548, 557, 569, 313/578, 315; 362/126, 294, 355
See application file for complete search history.

(56) **References Cited**

U.S. PATENT DOCUMENTS

D192,608 S *	4/1962	Cooke	D26/76
D243,035 S *	1/1977	Kohlenstein	D26/24
D285,010 S *	8/1986	Mullins	D26/67
D397,470 S *	8/1998	Bassford et al.	D26/67
D411,031 S *	6/1999	Conn et al.	D26/118
6,755,550 B1 *	6/2004	Lackey	362/294

D503,930 S *	4/2005	Asakawa	D13/180
D539,943 S *	4/2007	Egawa et al.	D26/24
D550,868 S *	9/2007	Egawa et al.	D26/24
D574,090 S *	7/2008	Takada et al.	D26/1
D611,188 S *	3/2010	Boyer et al.	D26/138
D611,644 S *	3/2010	Tsai	D26/77
D639,486 S *	6/2011	Wauters	D26/83
D661,421 S *	6/2012	Hor et al.	D26/84
D679,437 S *	4/2013	Watt	D26/74
2011/0141743 A1 *	6/2011	Fabbri	362/355
2011/0157519 A1 *	6/2011	Yusa	362/355
2012/0275162 A1 *	11/2012	Spiro	362/294

* cited by examiner

Primary Examiner — Deanna L Pratt

Assistant Examiner — Natasha Vujcic

(74) *Attorney, Agent, or Firm* — Mark Terry

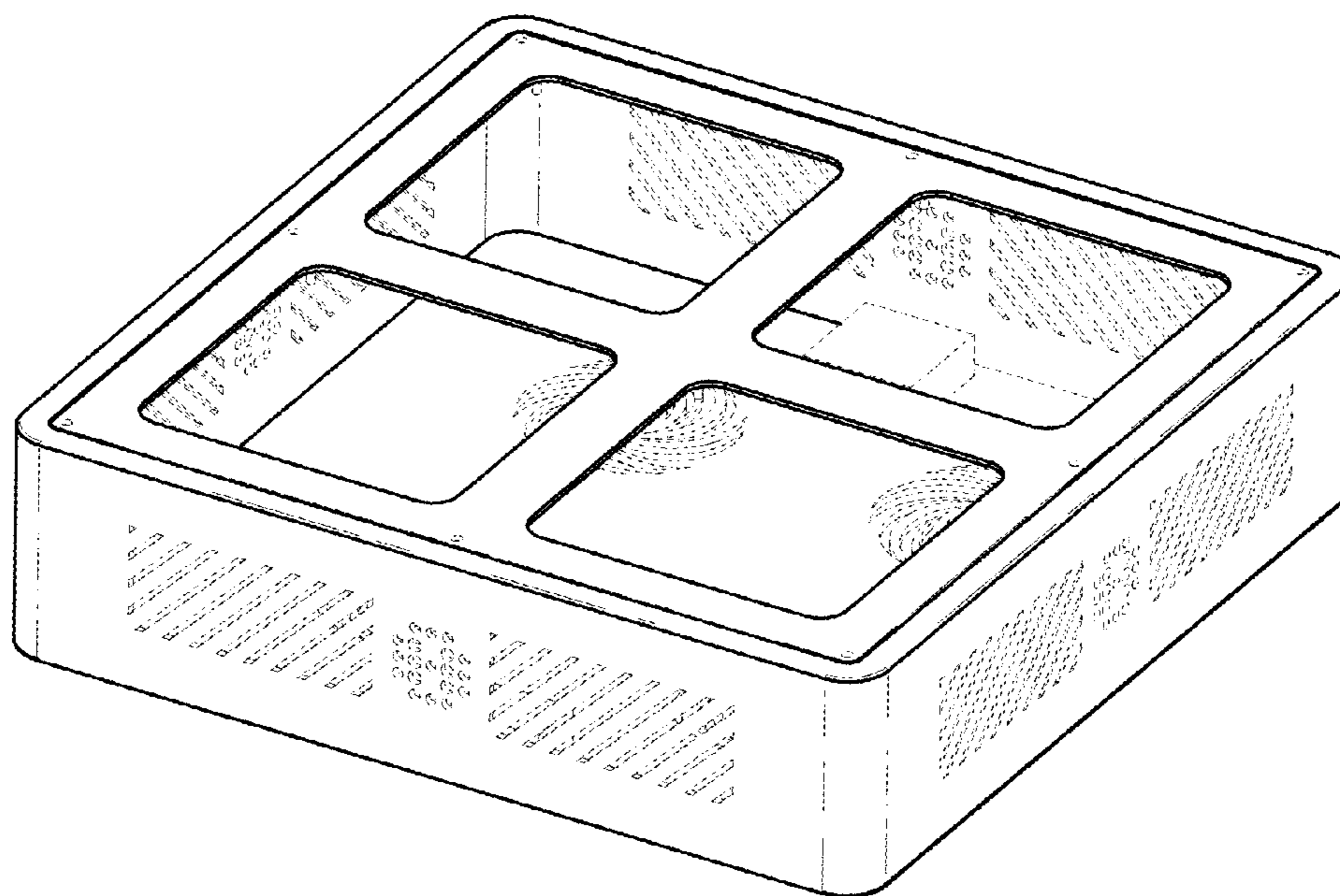
(57) **CLAIM**

The ornamental design for a housing assembly for multiple LED lights, as shown and described.

DESCRIPTION

FIG. 1 is a top perspective view of a housing assembly for multiple LED lights, showing the new design; FIG. 2 is a bottom perspective view thereof; FIG. 3 is a top view thereof; FIG. 4 is a left side view thereof; FIG. 5 is a right side view thereof; FIG. 6 is a front view thereof; FIG. 7 is a bottom view thereof; FIG. 8 is a rear view thereof. FIG. 9 is an exploded top perspective view thereof; and, FIG. 10 is an exploded bottom perspective view thereof. The broken lines in the drawings illustrate portions of the housing assembly for multiple led lights which form no part of the claimed design.

1 Claim, 5 Drawing Sheets



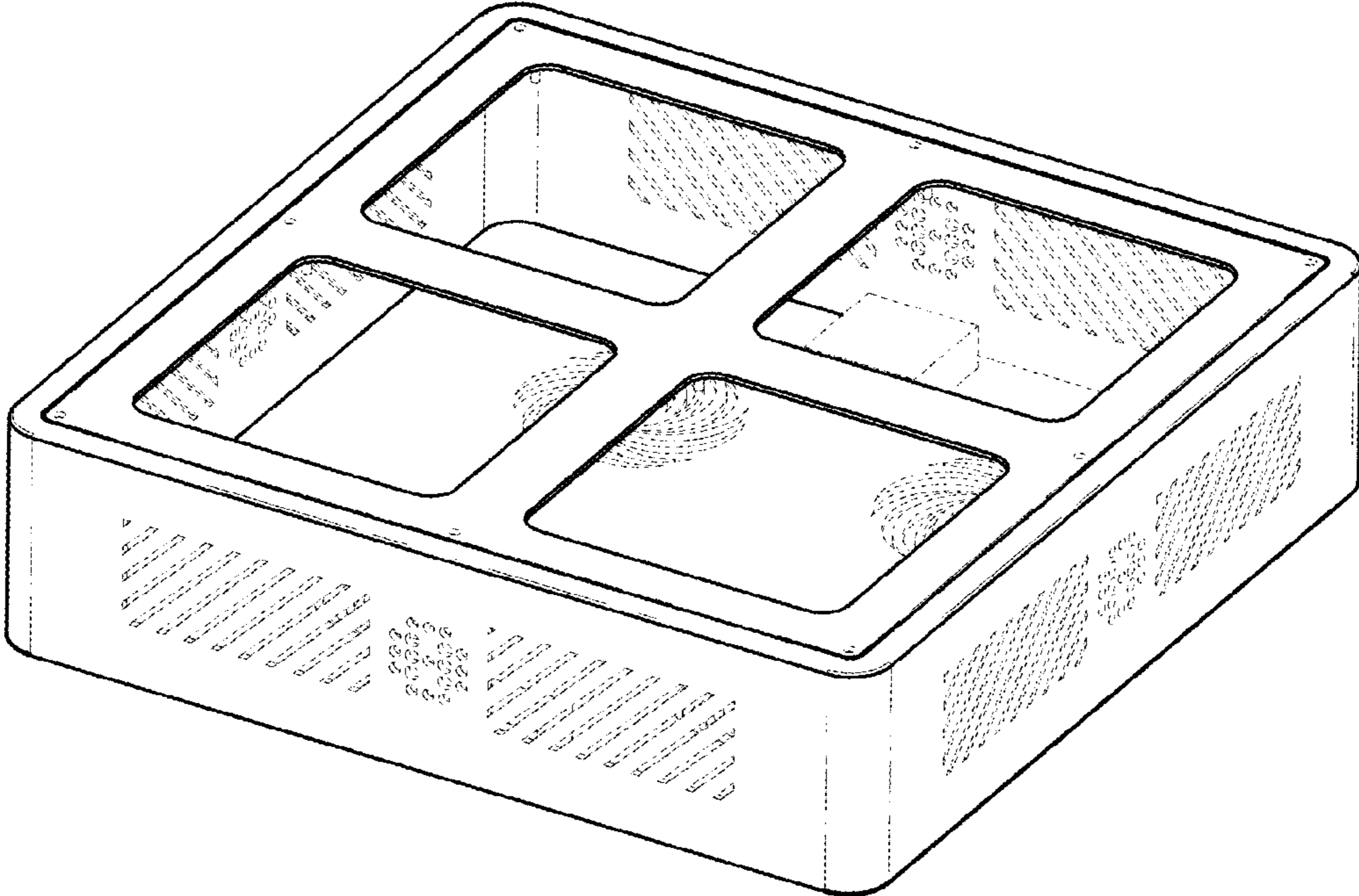


Fig. 1

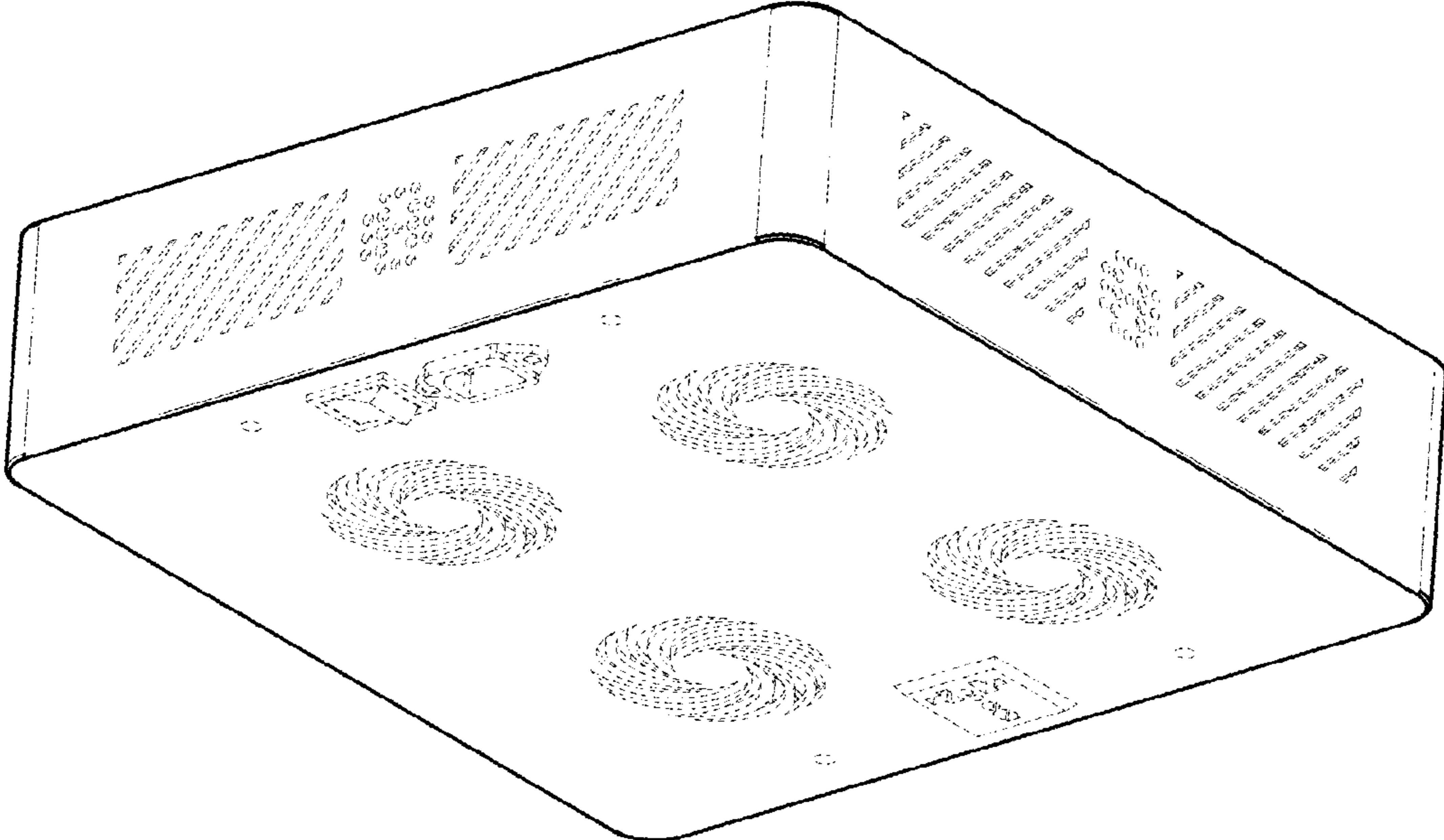


Fig. 2

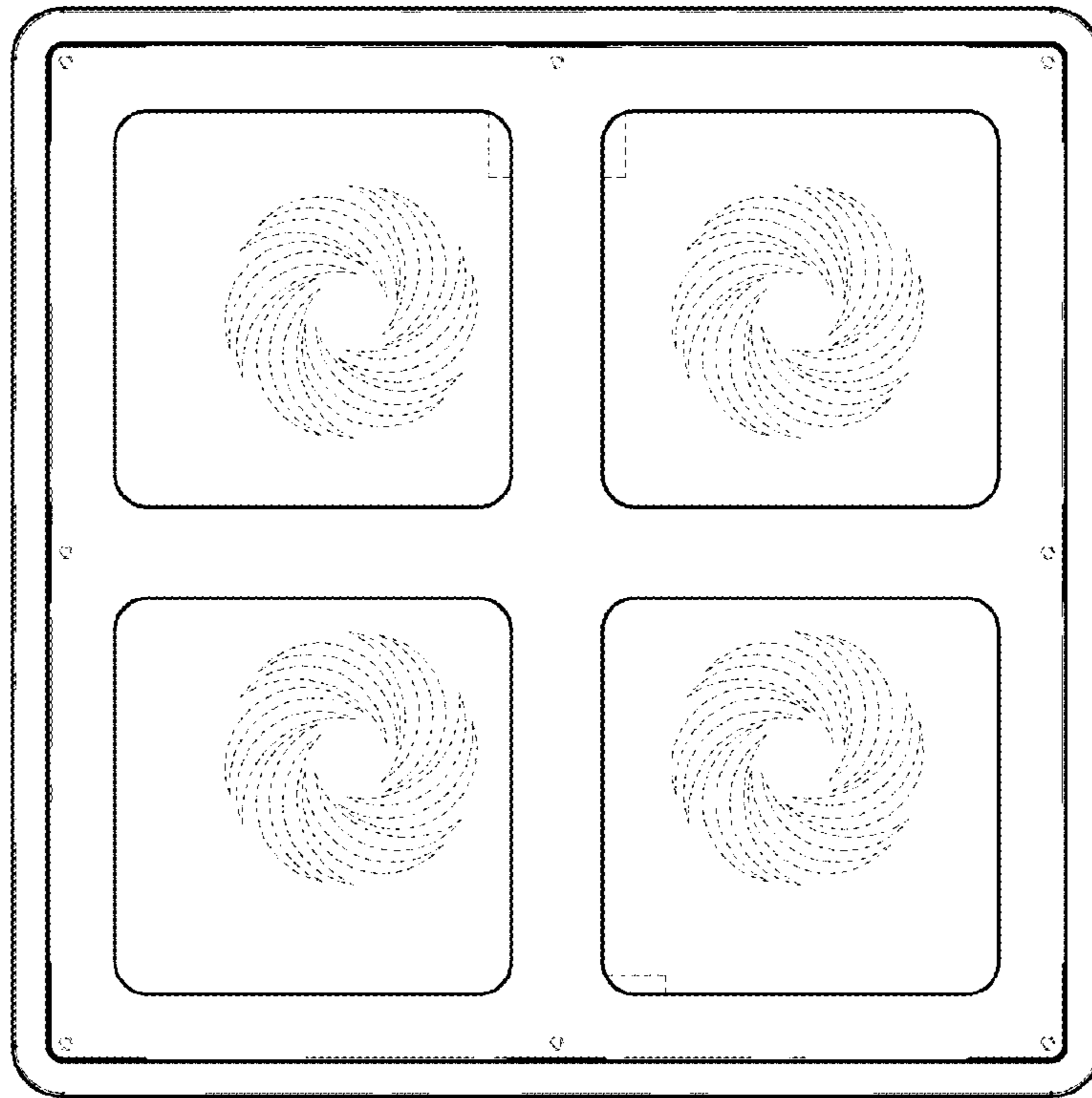


Fig. 3

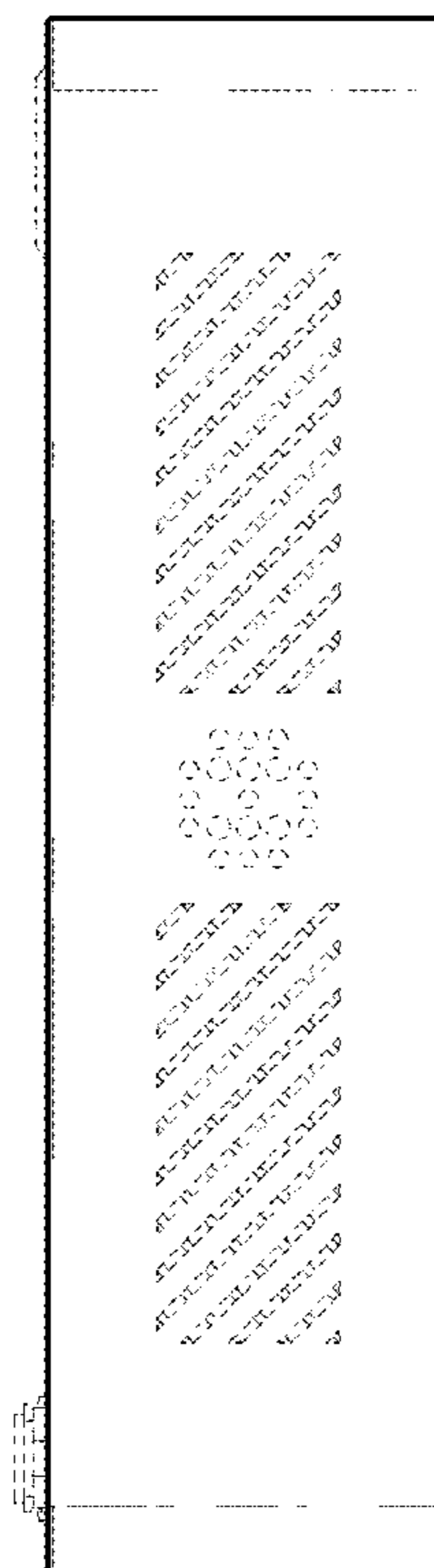


Fig. 4

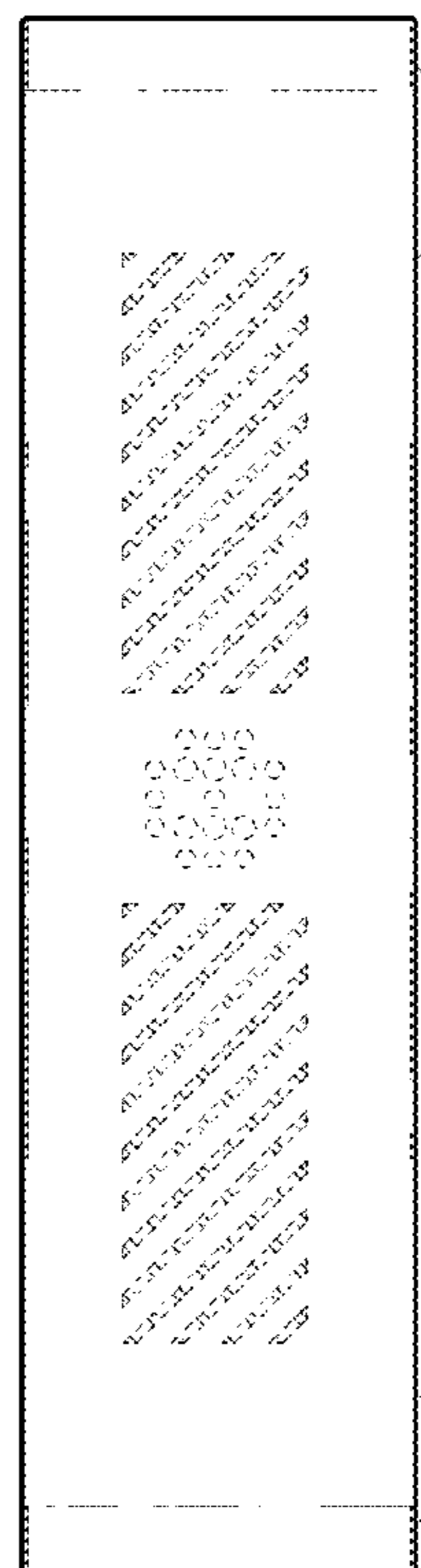


Fig. 5

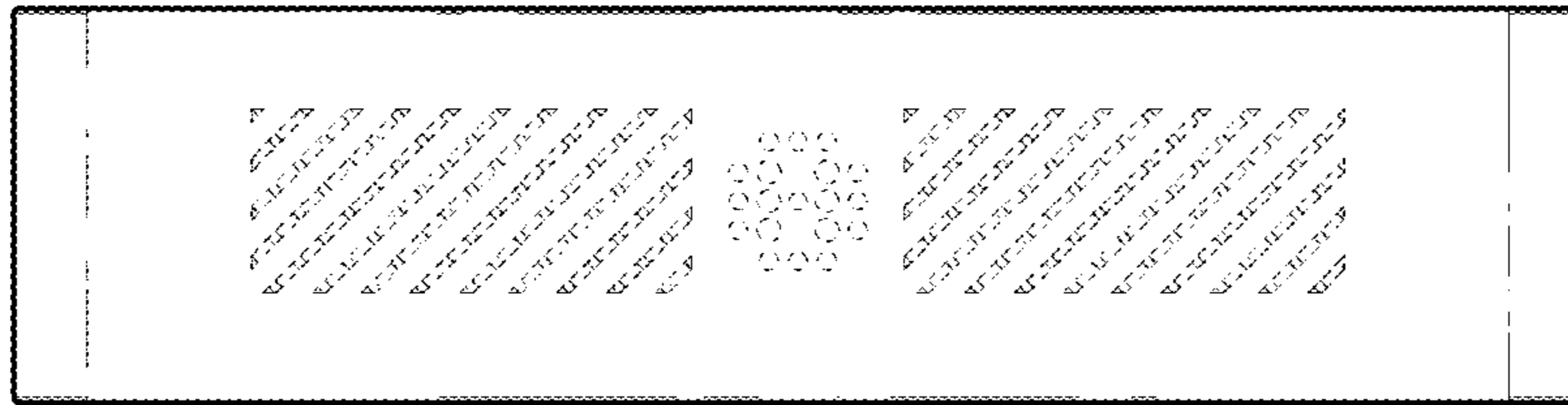


Fig. 6

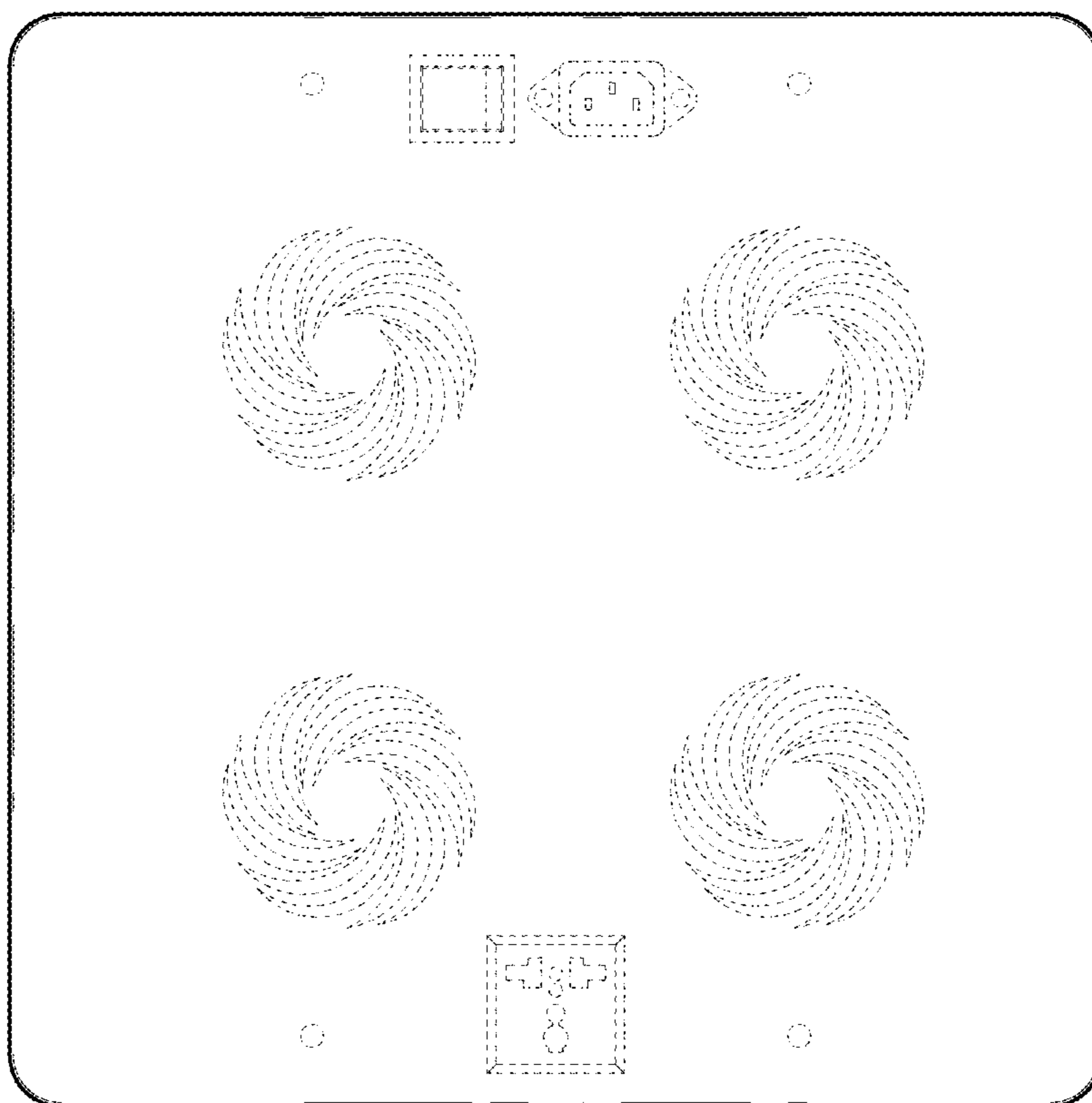


Fig. 7

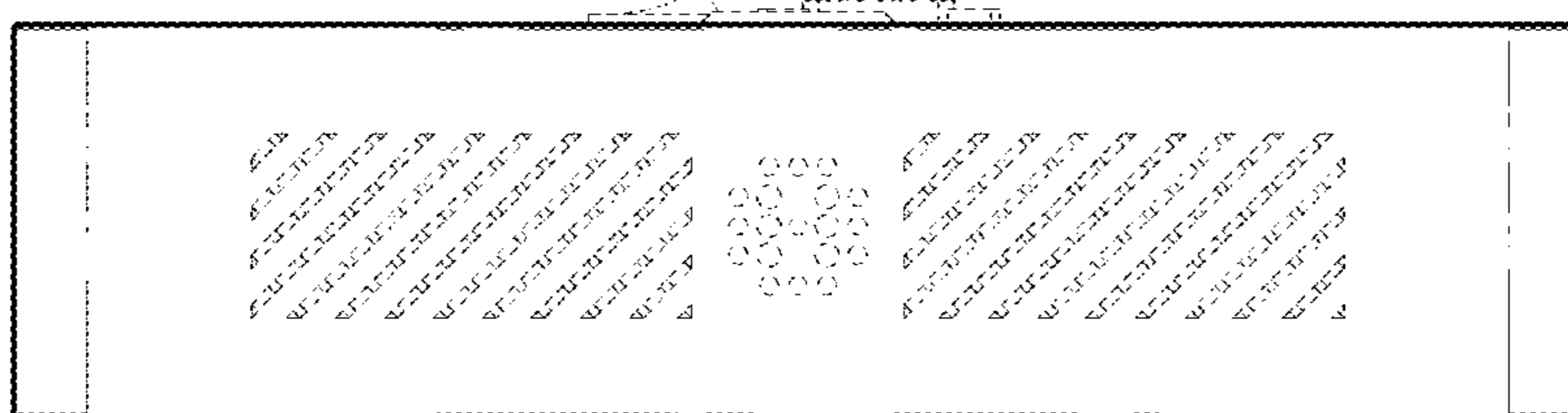


Fig. 8

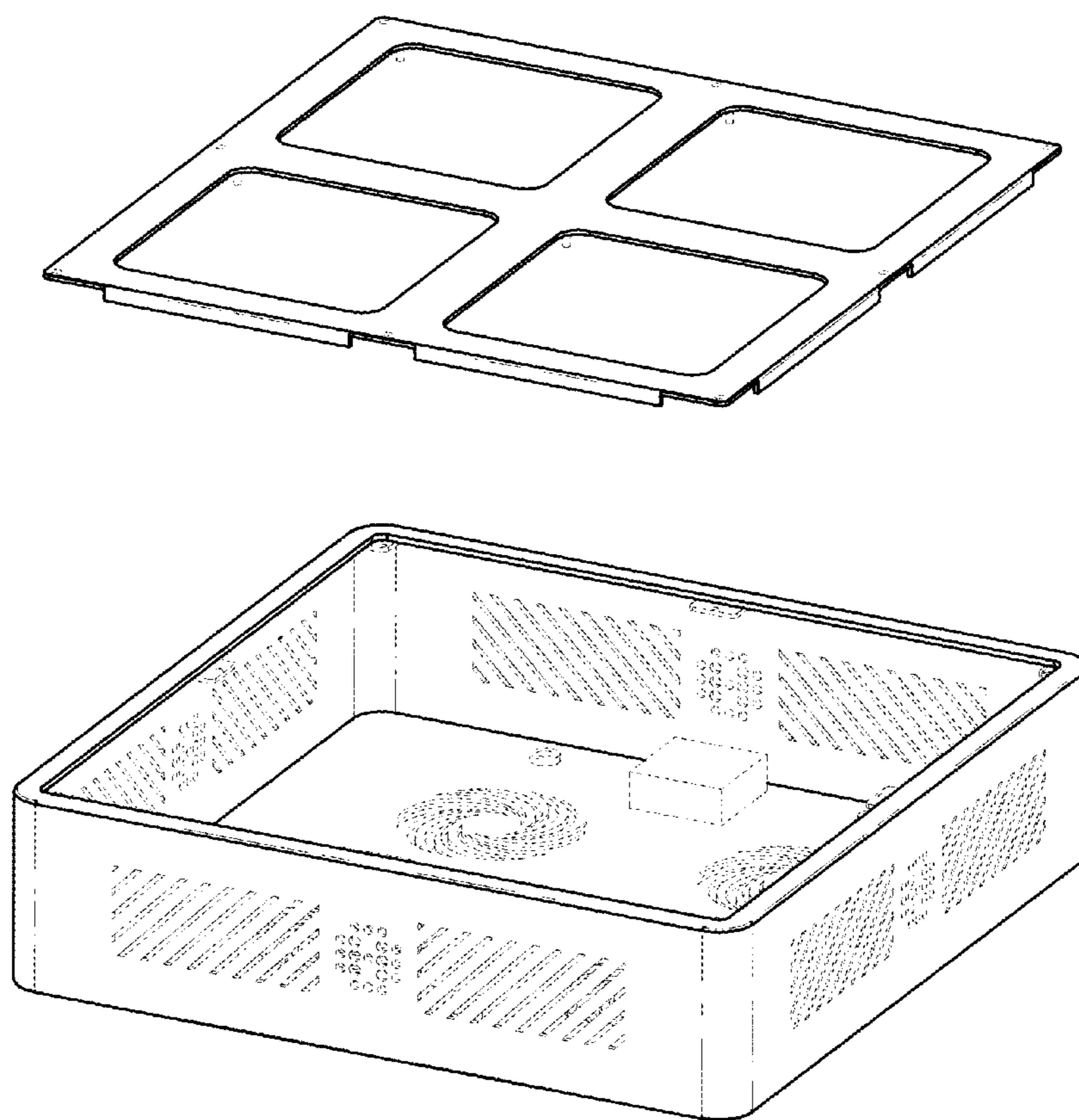


Fig. 9

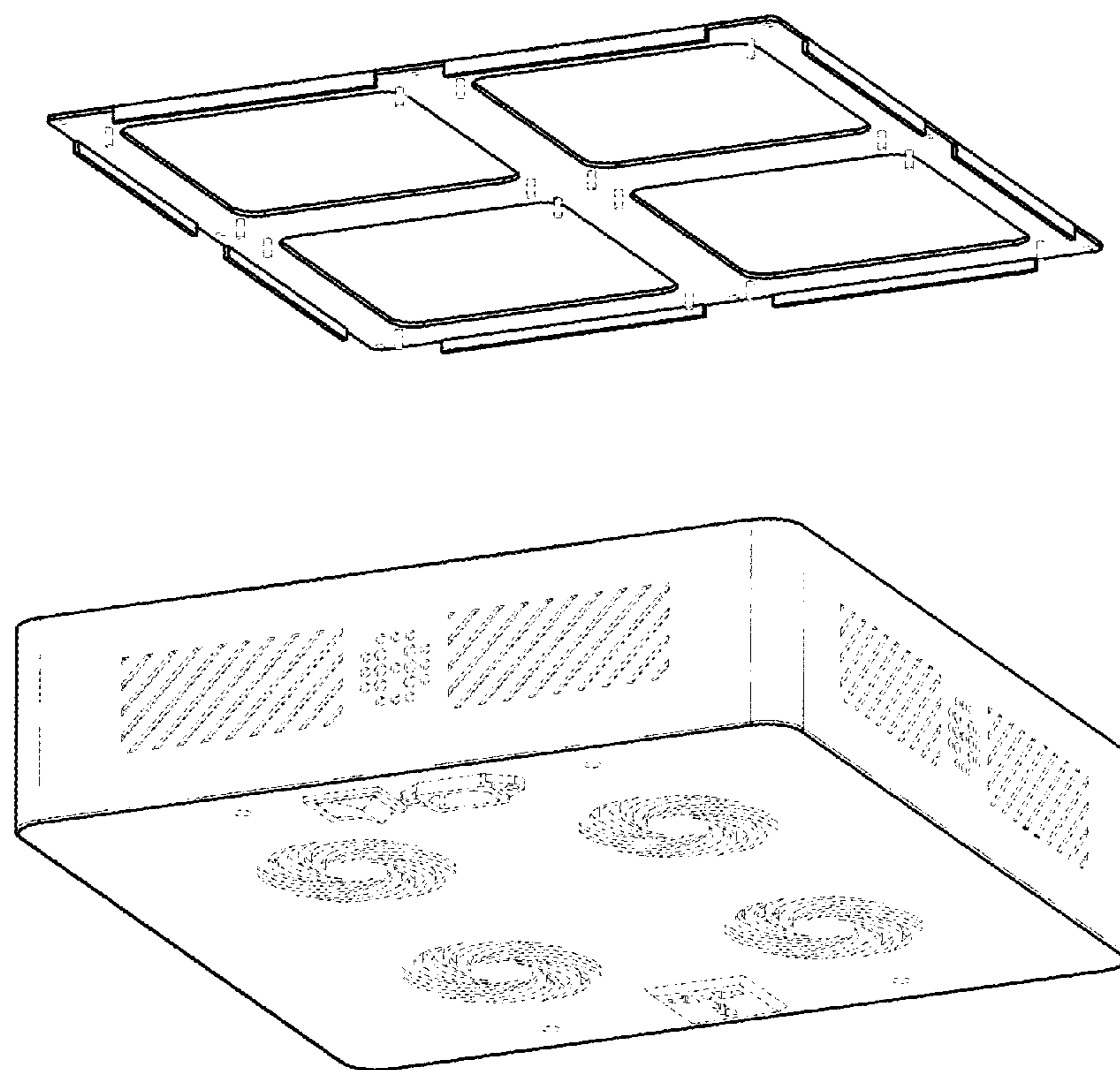


Fig. 10