



US00D707385S

(12) **United States Design Patent**
Wardenburg et al.

(10) **Patent No.:** **US D707,385 S**
(45) **Date of Patent:** **** Jun. 17, 2014**

- (54) **LIGHT HOUSING**
- (71) Applicant: **Hydrofarm, Inc.**, Petaluma, CA (US)
- (72) Inventors: **Peter Wardenburg**, Novato, CA (US);
Jason Mengelkoch, Sonoma, CA (US)
- (73) Assignee: **Hydrofarm, Inc.**, Petaluma, CA (US)
- (**) Term: **14 Years**
- (21) Appl. No.: **29/464,532**
- (22) Filed: **Aug. 16, 2013**
- (51) **LOC (10) Cl.** **26-99**
- (52) **U.S. Cl.**
USPC **D26/118**
- (58) **Field of Classification Search**
USPC D26/122, 118, 2, 28, 142, 123, 124, 35,
D26/116, 113, 74, 75, 5, 6, 67, 68, 69, 72,
D26/86, 63, 61, 39, 135, 65, 120, 121, 125,
D26/126, 128, 89, 76, 132, 134, 119;
362/290, 223, 346, 240, 298, 249.02,
362/247, 347, 179, 147, 150; D10/114.4,
D10/11.2, 111; 431/111, 104, 344, 109;
D13/179, 180
See application file for complete search history.

D544,995 S * 6/2007 Hargreaves D26/118
D545,484 S * 6/2007 Hargreaves D26/118
7,524,090 B2 * 4/2009 Hargreaves 362/294

(Continued)

Primary Examiner — Kevin Rudzinski
(74) *Attorney, Agent, or Firm* — Craig M. Stainbrook;
Stainbrook & Stainbrook, LLP

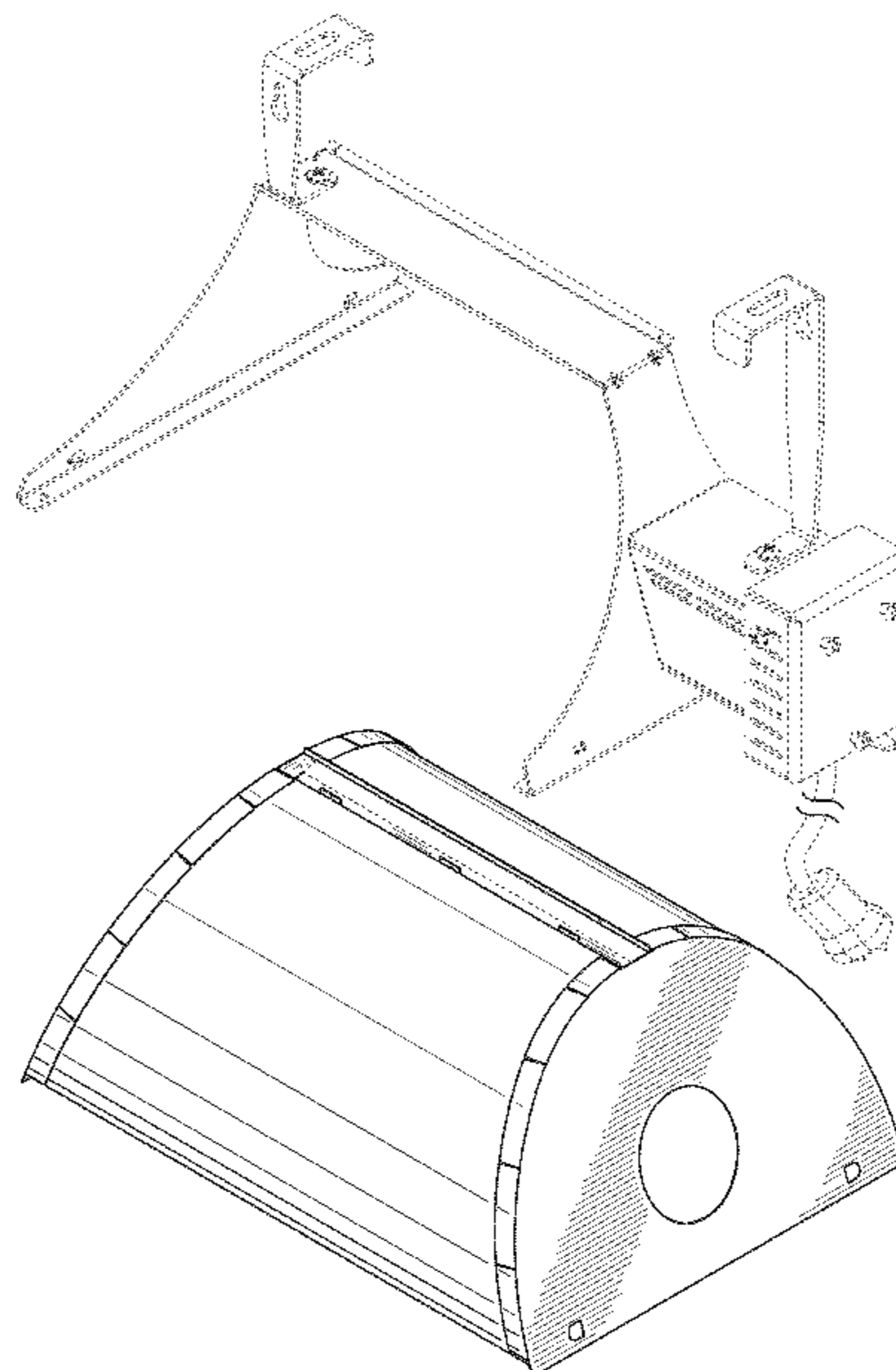
(57) **CLAIM**
The ornamental design for a light housing, as shown and described.

DESCRIPTION

FIG. 1 is an upper left front perspective view of a light housing, the dashed elements are unclaimed;
FIG. 2 is an upper left front perspective view of a light housing, the dashed elements are unclaimed and exploded away;
FIG. 3 is a lower right rear perspective view of a light housing;
FIG. 4 is a front elevational view of a light housing;
FIG. 5 is a left side elevational view of a light housing;
FIG. 6 is a rear elevational view of a light housing;
FIG. 7 is a right side elevational view of a light housing;
FIG. 8 is a top plan view of a light housing;
FIG. 9 is a bottom plan view of a light housing;
FIG. 10 is a sectional view of a light housing taken along line 10-10 in FIG. 5;
FIG. 11 is a sectional view of a light housing taken along line 11-11 in FIG. 5;
FIG. 12 is a sectional view of a light housing taken along line 12-12 in FIG. 8; and,
FIG. 13 is a sectional view of a light housing taken along line 13-13 in FIG. 9.
The broken lines showing of the article are for purposes of illustration only and form no part of the claimed design.

- (56) **References Cited**
U.S. PATENT DOCUMENTS
D85,382 S * 10/1931 Guth D26/24
1,930,070 A * 10/1933 Zecher 313/590
D123,768 S * 12/1940 Scribner D26/78
2,348,617 A * 5/1944 Furedy 362/217.07
3,272,978 A * 9/1966 Jackson 362/408
D259,738 S * 6/1981 Boschetti D24/210
D542,460 S * 5/2007 Hargreaves D26/118
D543,652 S * 5/2007 Hargreaves D26/76
D544,984 S * 6/2007 Hargreaves D26/76
D544,987 S * 6/2007 Hargreaves D26/88

1 Claim, 11 Drawing Sheets



(56)

References Cited

U.S. PATENT DOCUMENTS

D602,625 S *	10/2009	Santoro	D26/76	7,972,044 B2 *	7/2011	Burkhauser	362/373
D634,060 S *	3/2011	Wardenburg	D26/118	D667,584 S *	9/2012	Beghelli	D26/75
D634,469 S *	3/2011	Hargreaves	D26/118	D693,959 S *	11/2013	Boyer et al.	D26/118
D637,341 S *	5/2011	Wardenburg	D26/118	2002/0141195 A1 *	10/2002	Peter	362/362
				2008/0205030 A1 *	8/2008	Hargreaves	362/1
				2008/0205071 A1 *	8/2008	Townsley	362/373
				2009/0262540 A1 *	10/2009	Hargreaves et al.	362/362

* cited by examiner

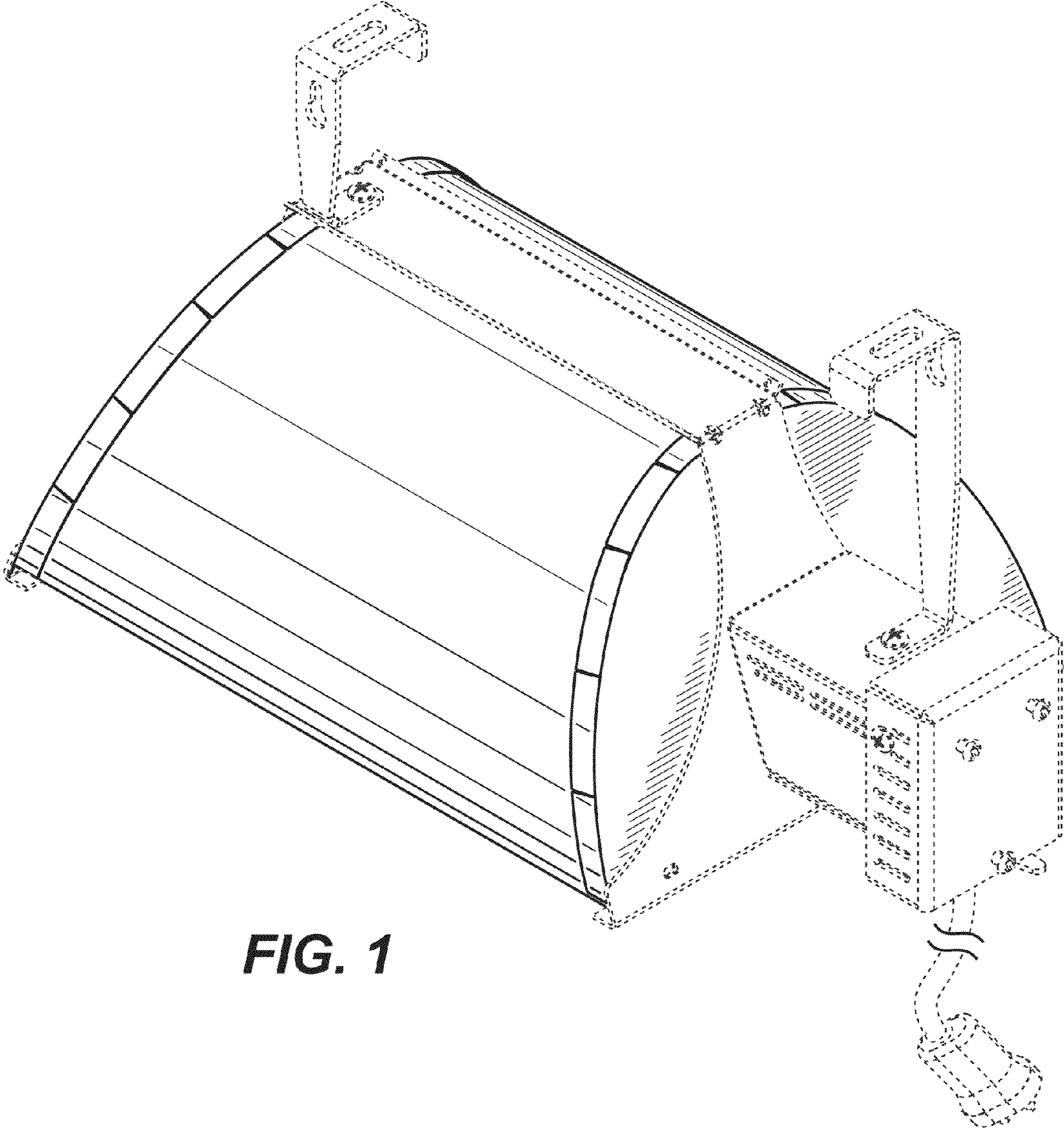
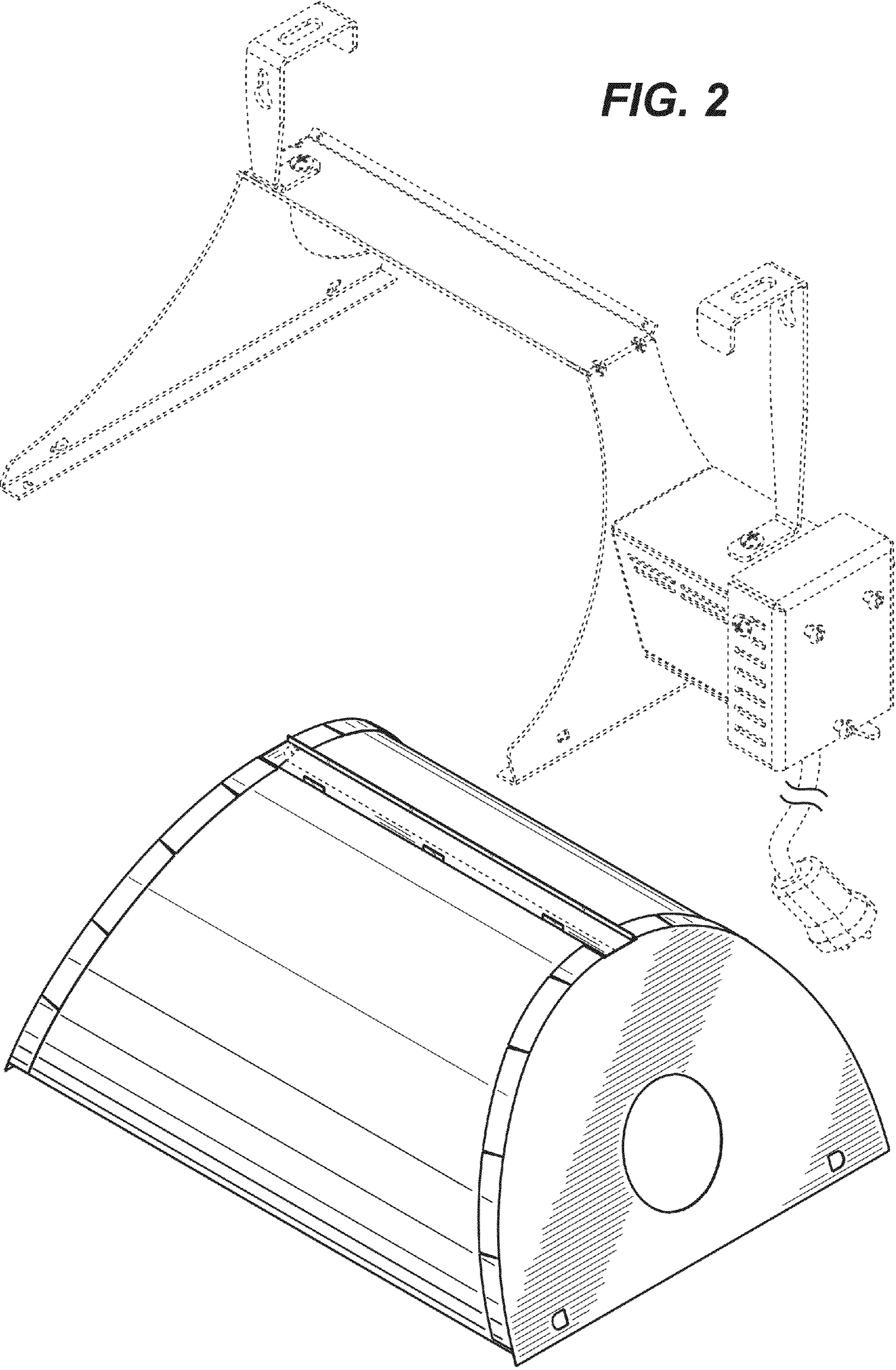


FIG. 1



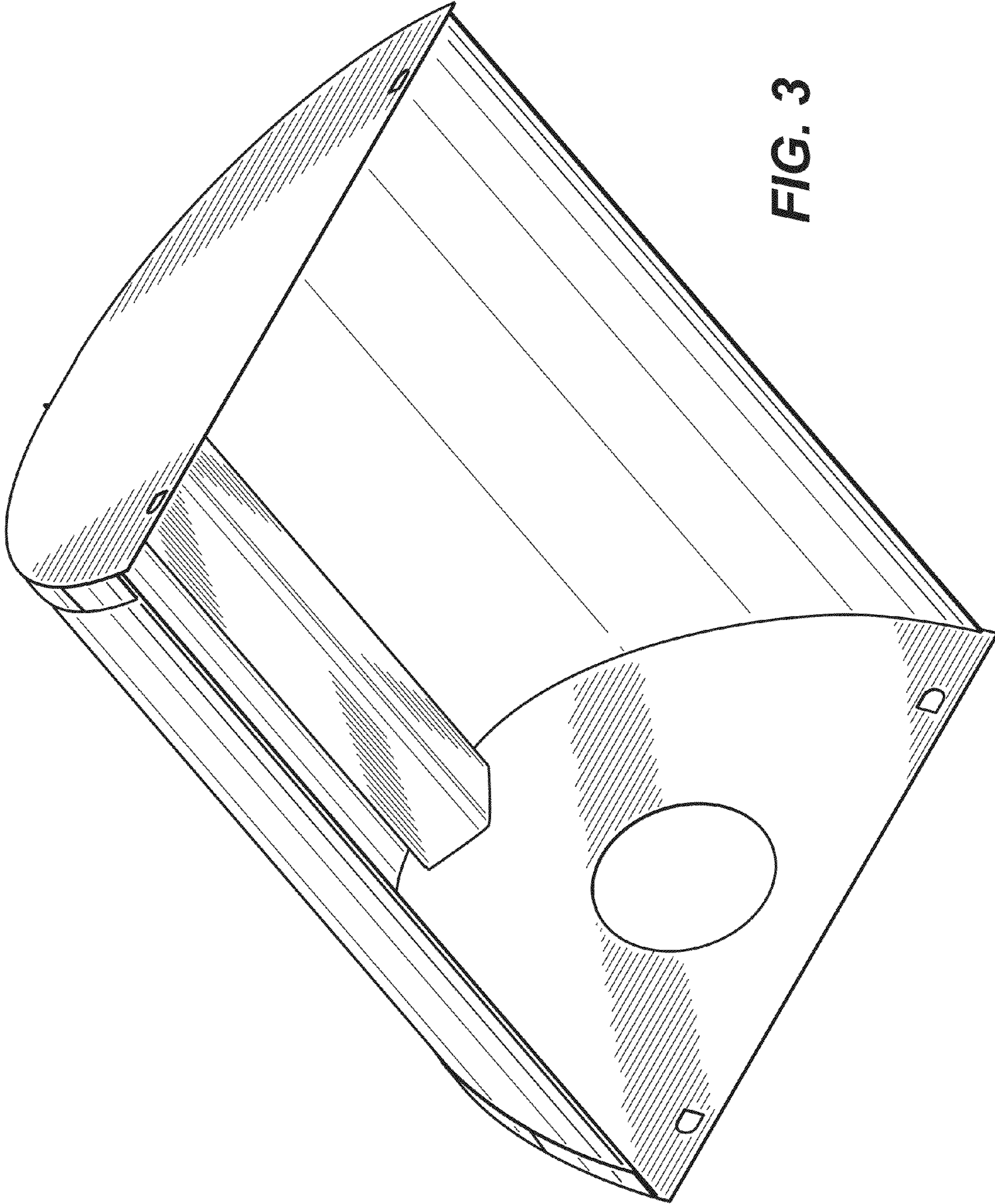


FIG. 3

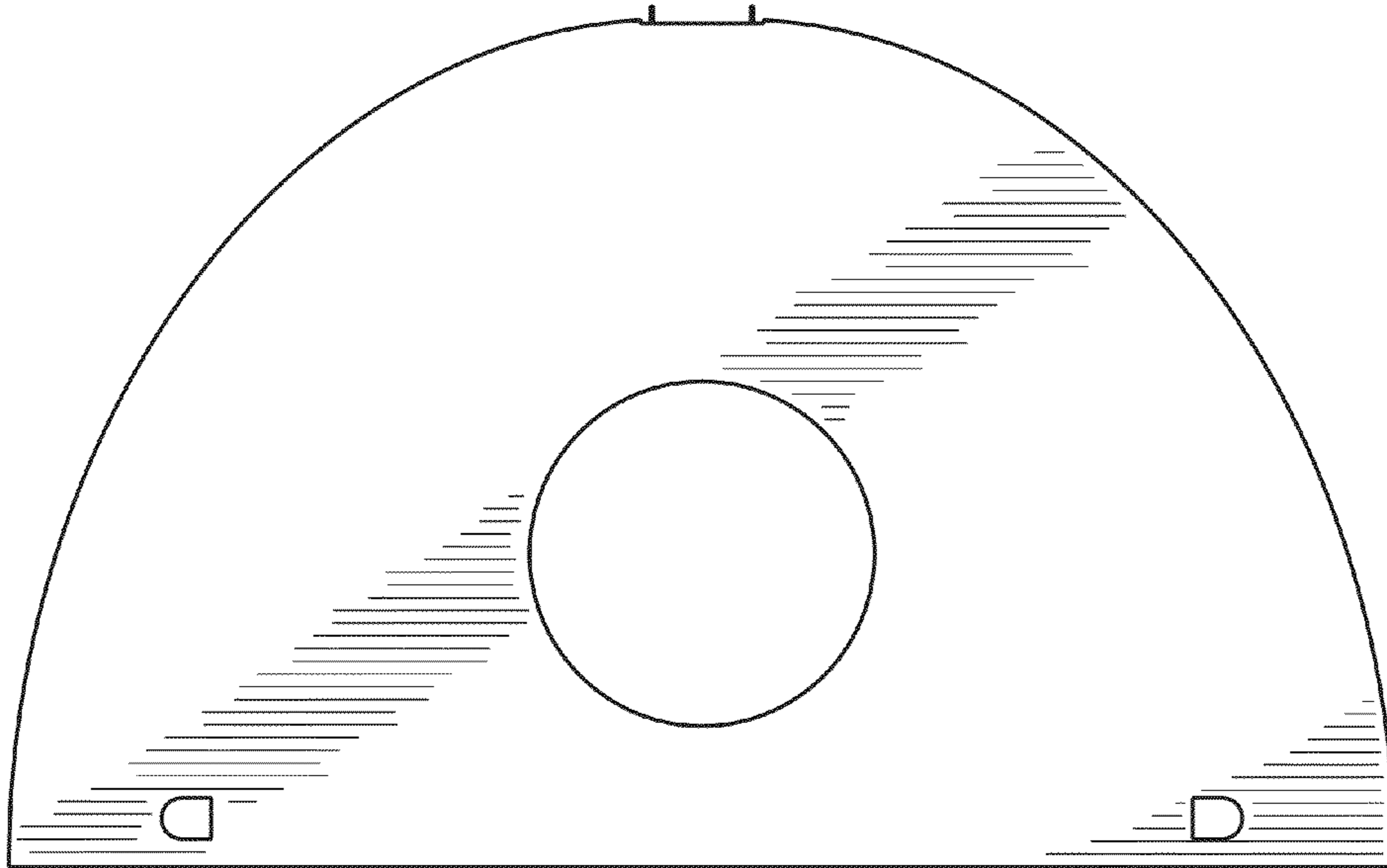


FIG. 4

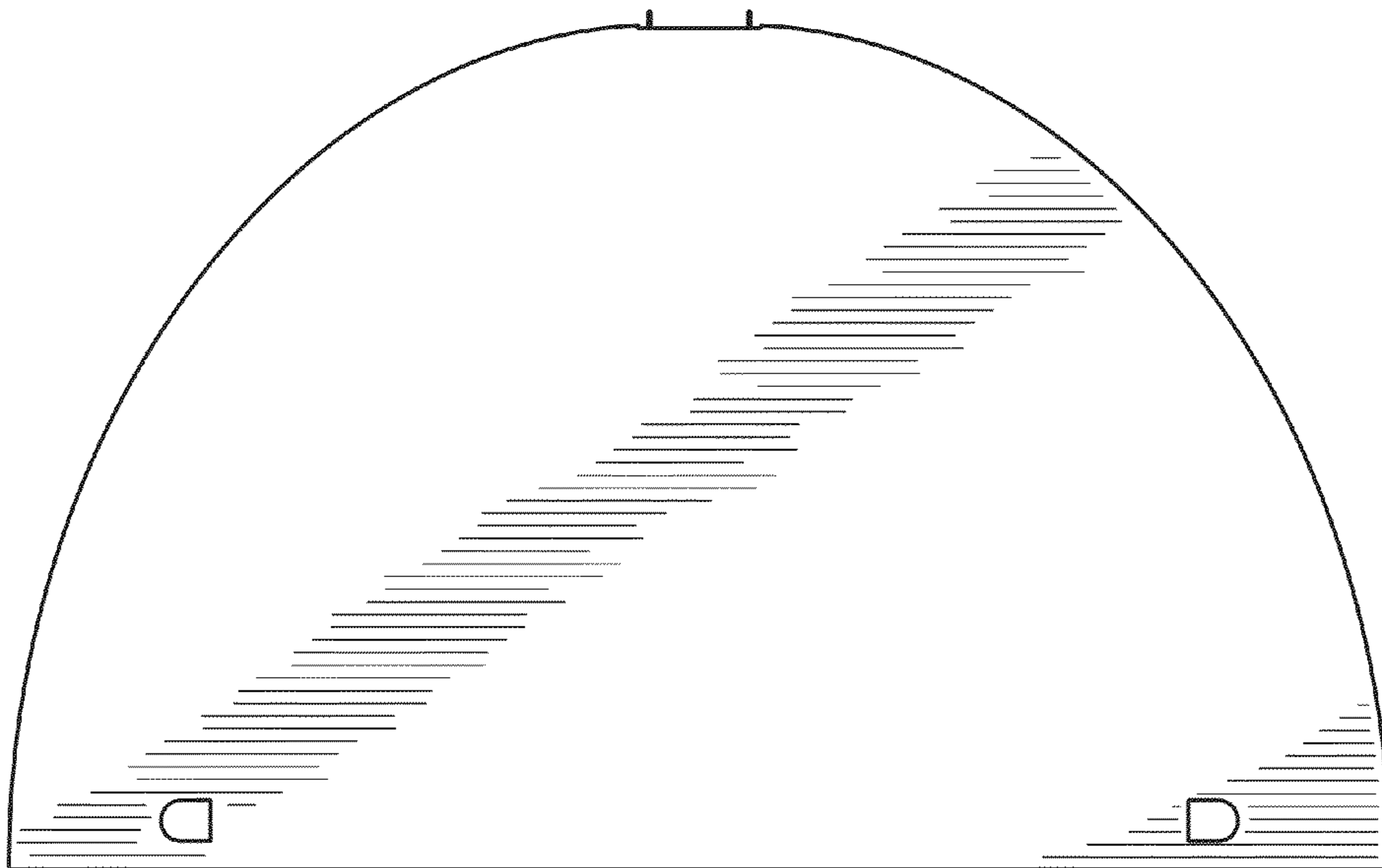


FIG. 6

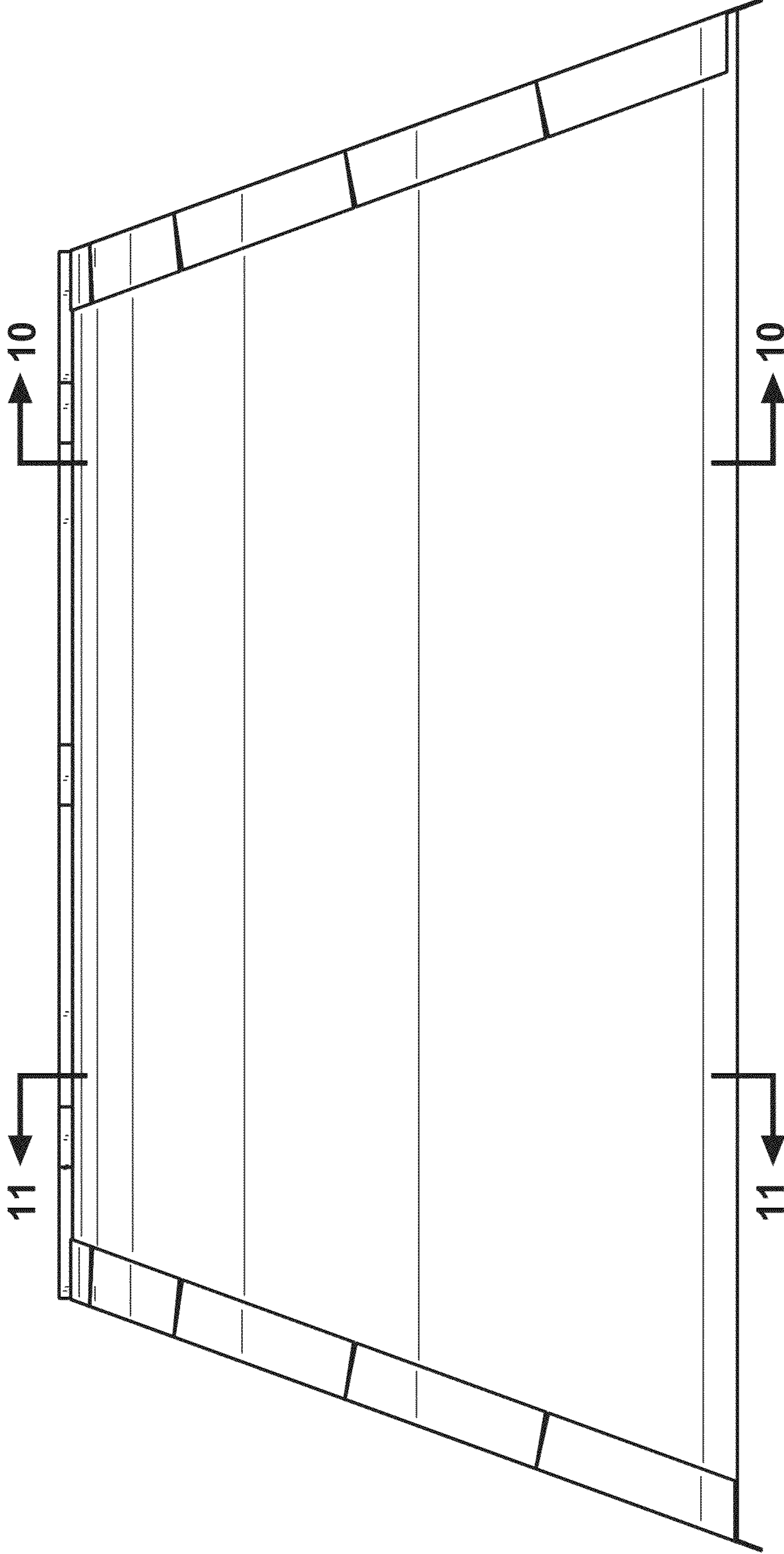


FIG. 5

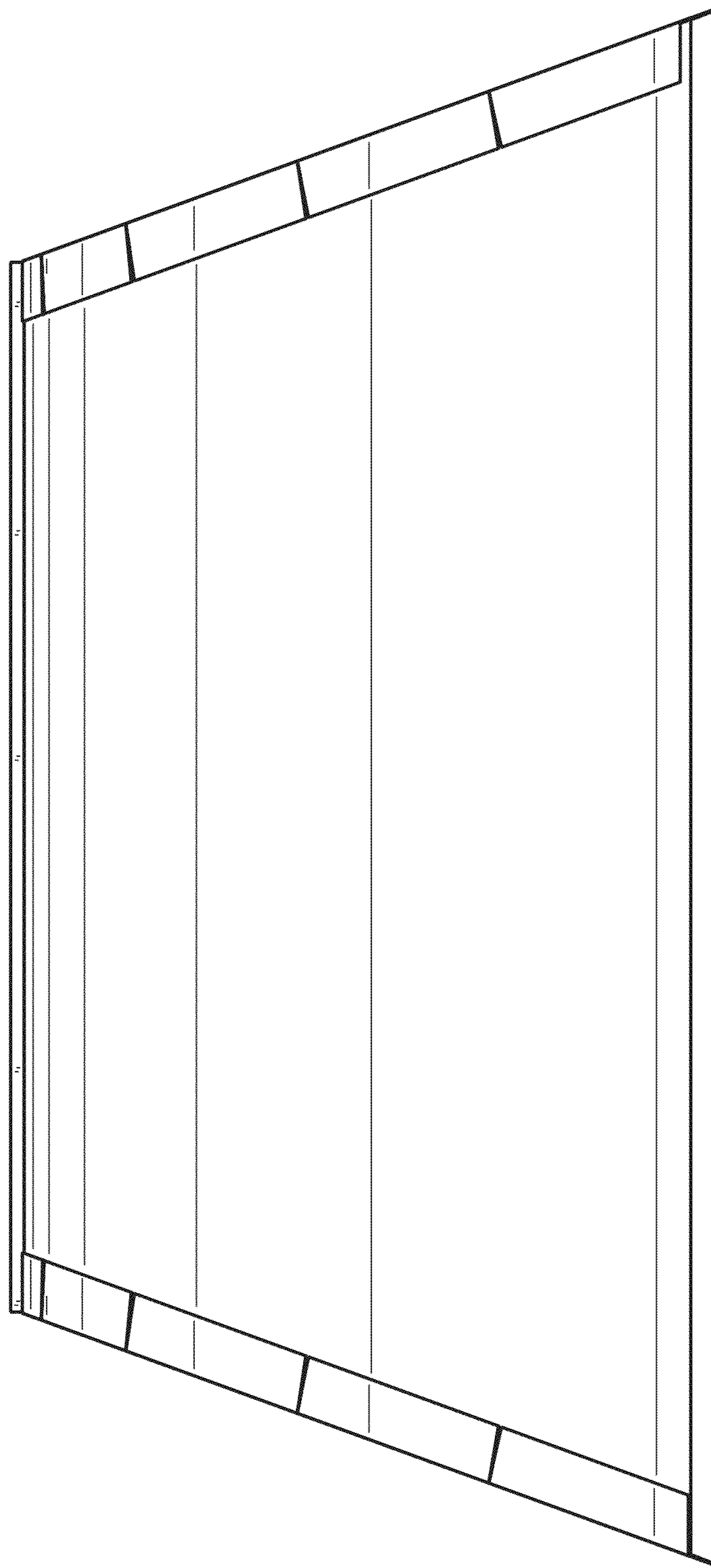


FIG. 7

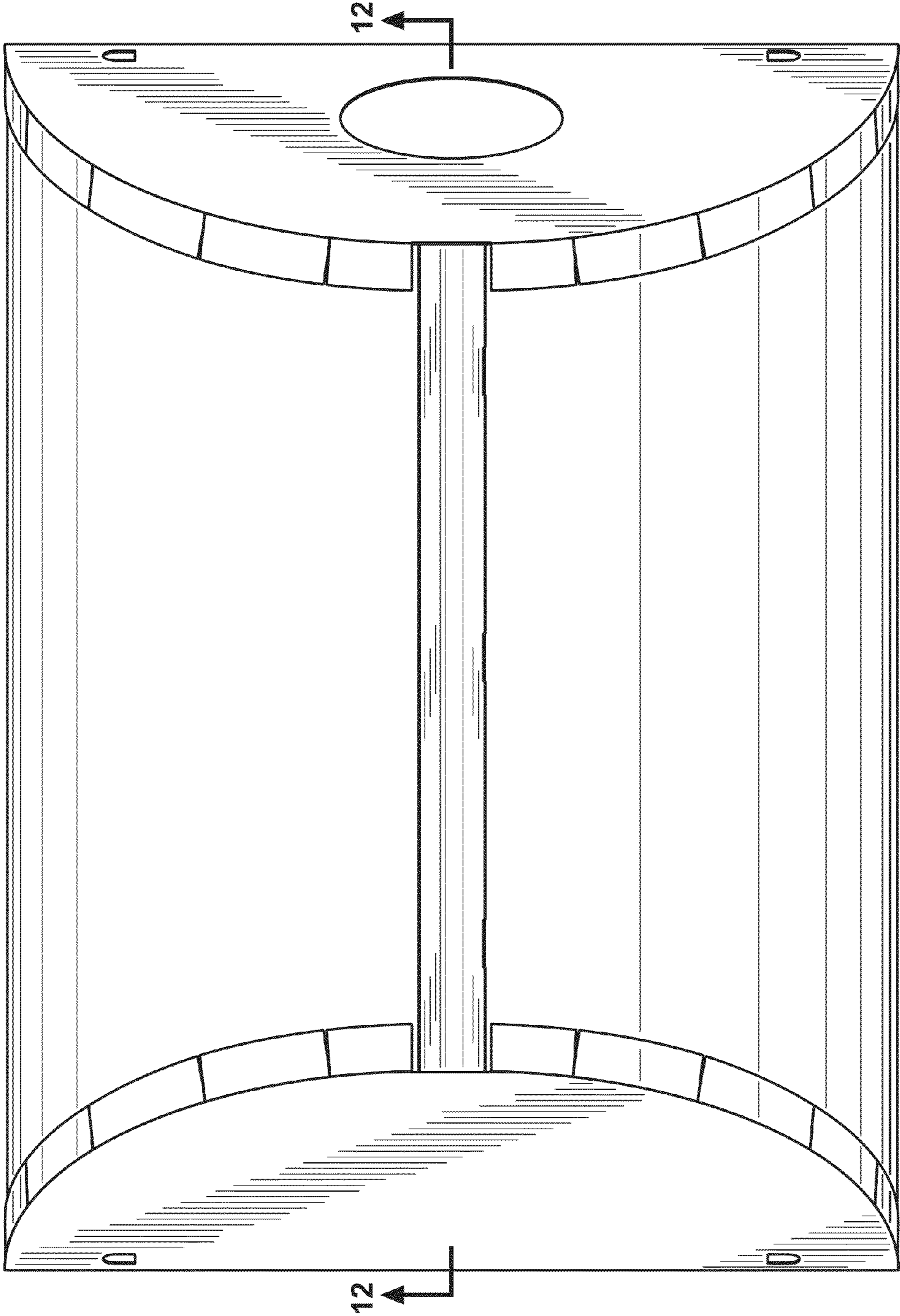


FIG. 8

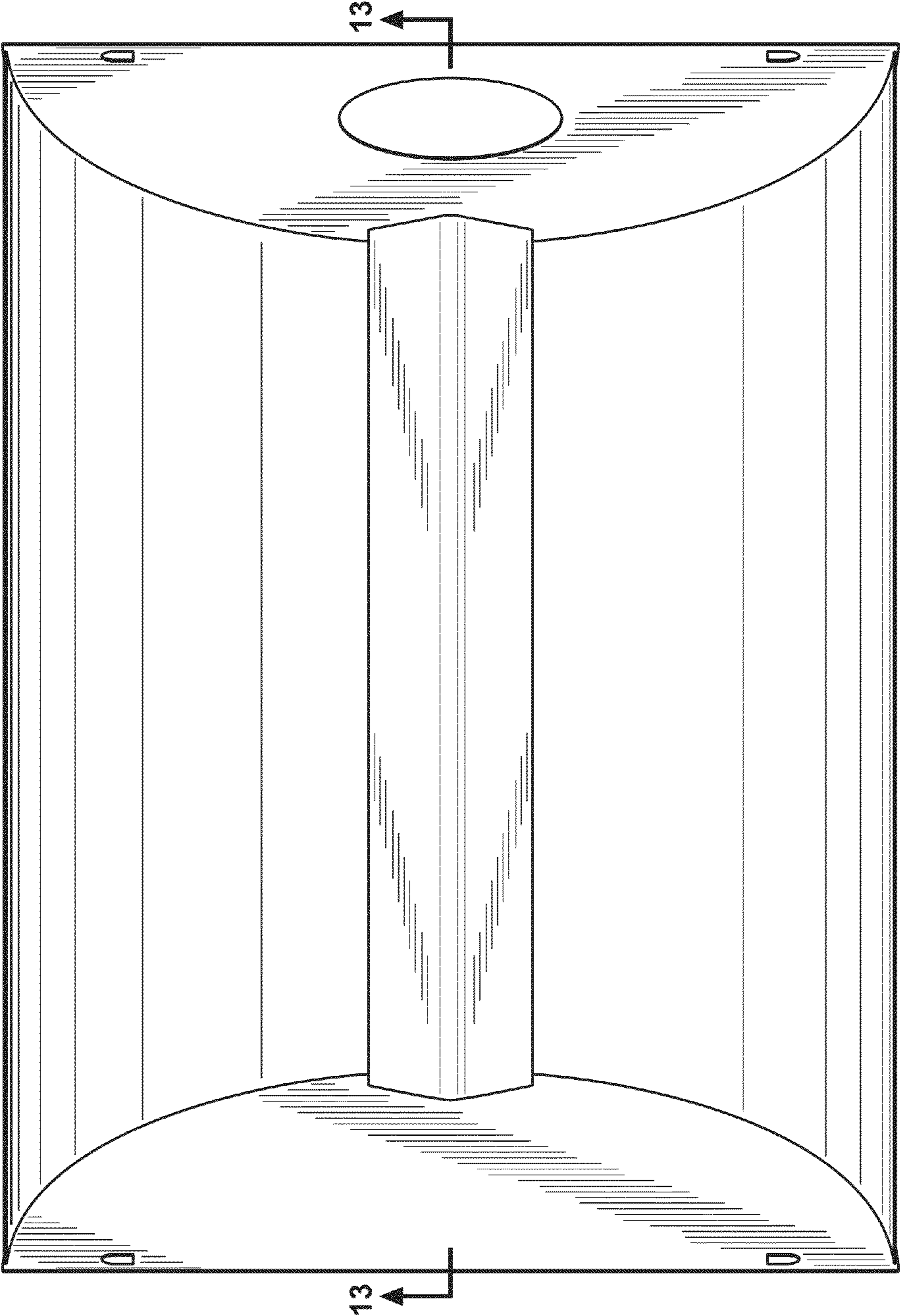


FIG. 9

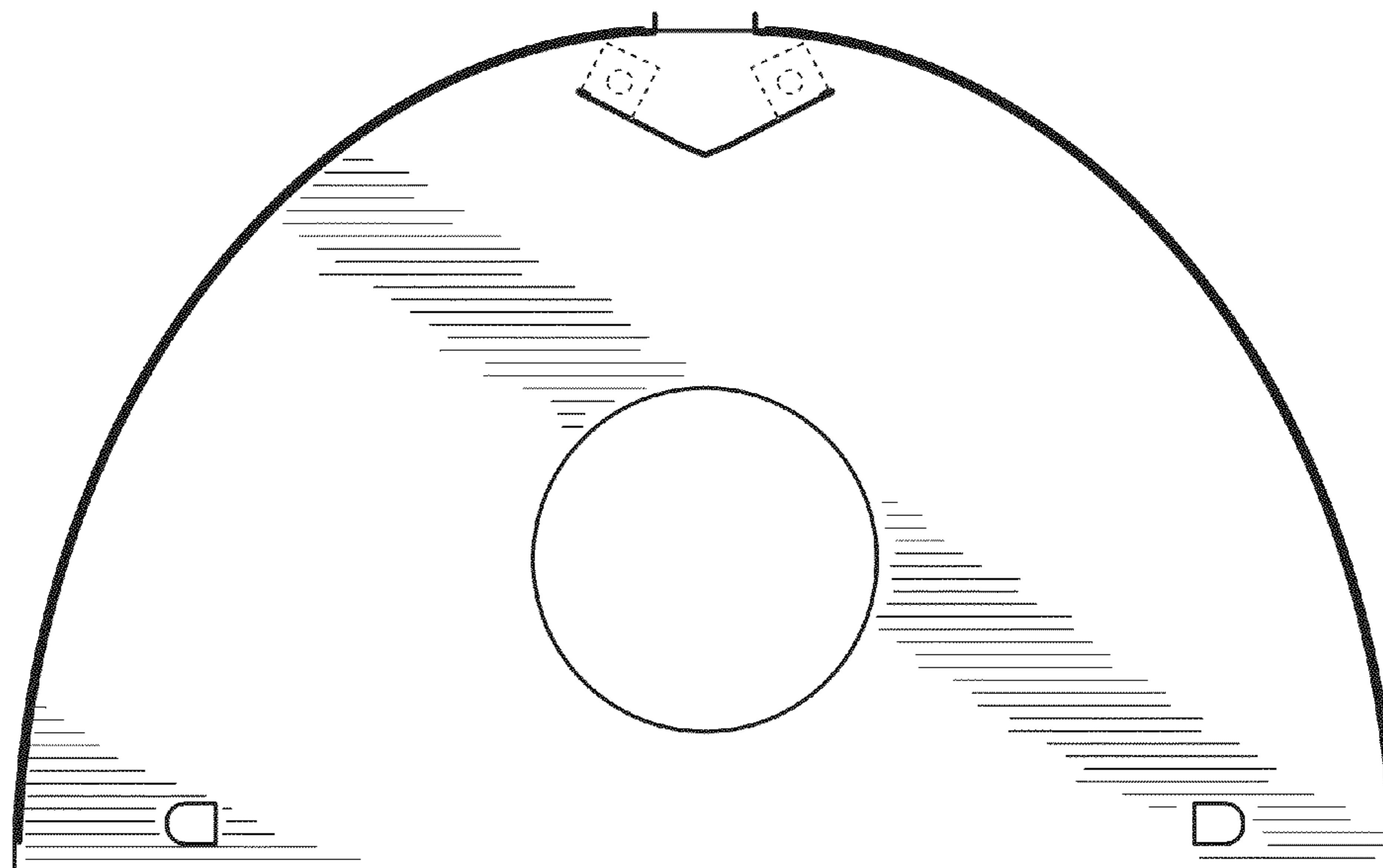


FIG. 10

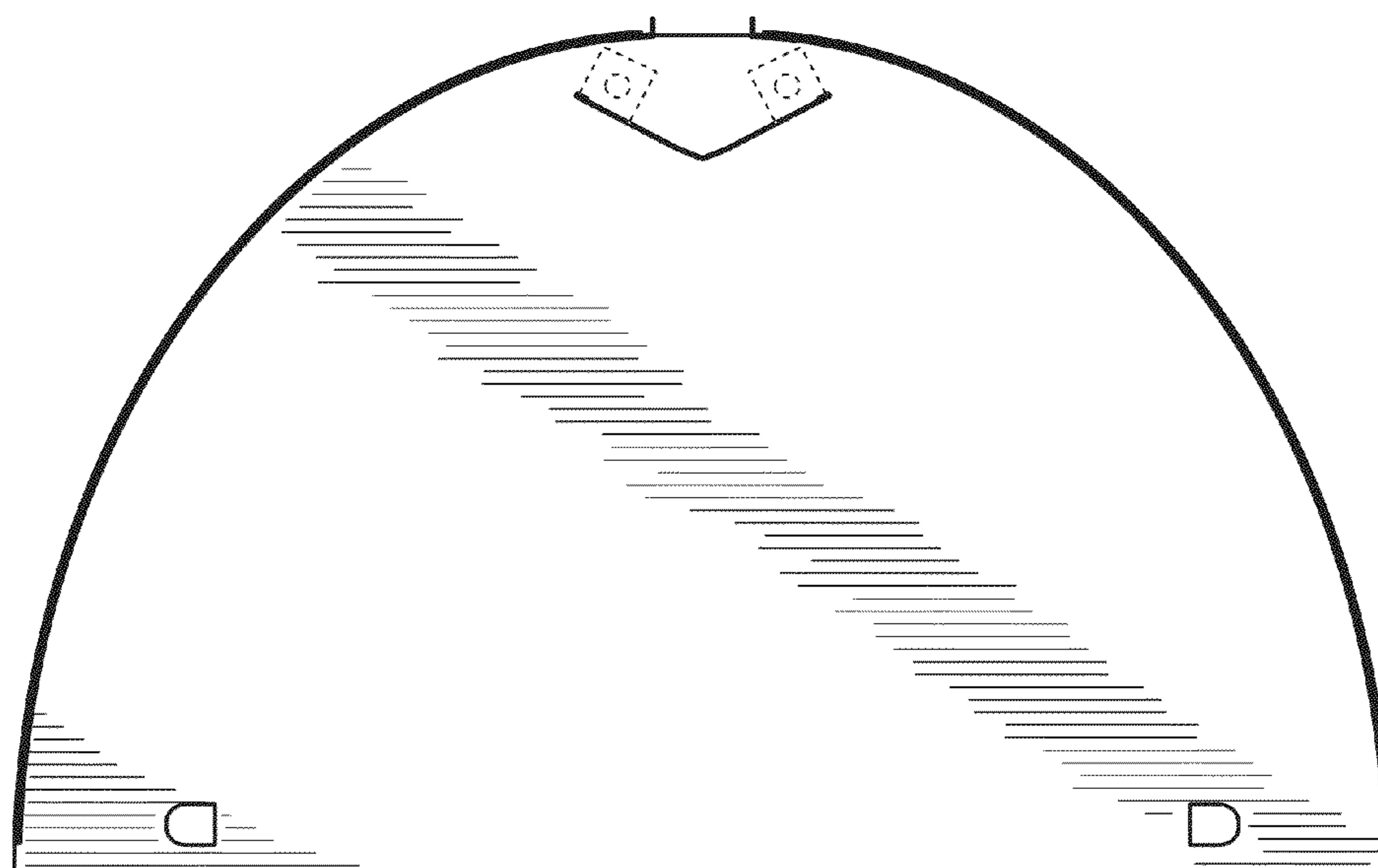


FIG. 11

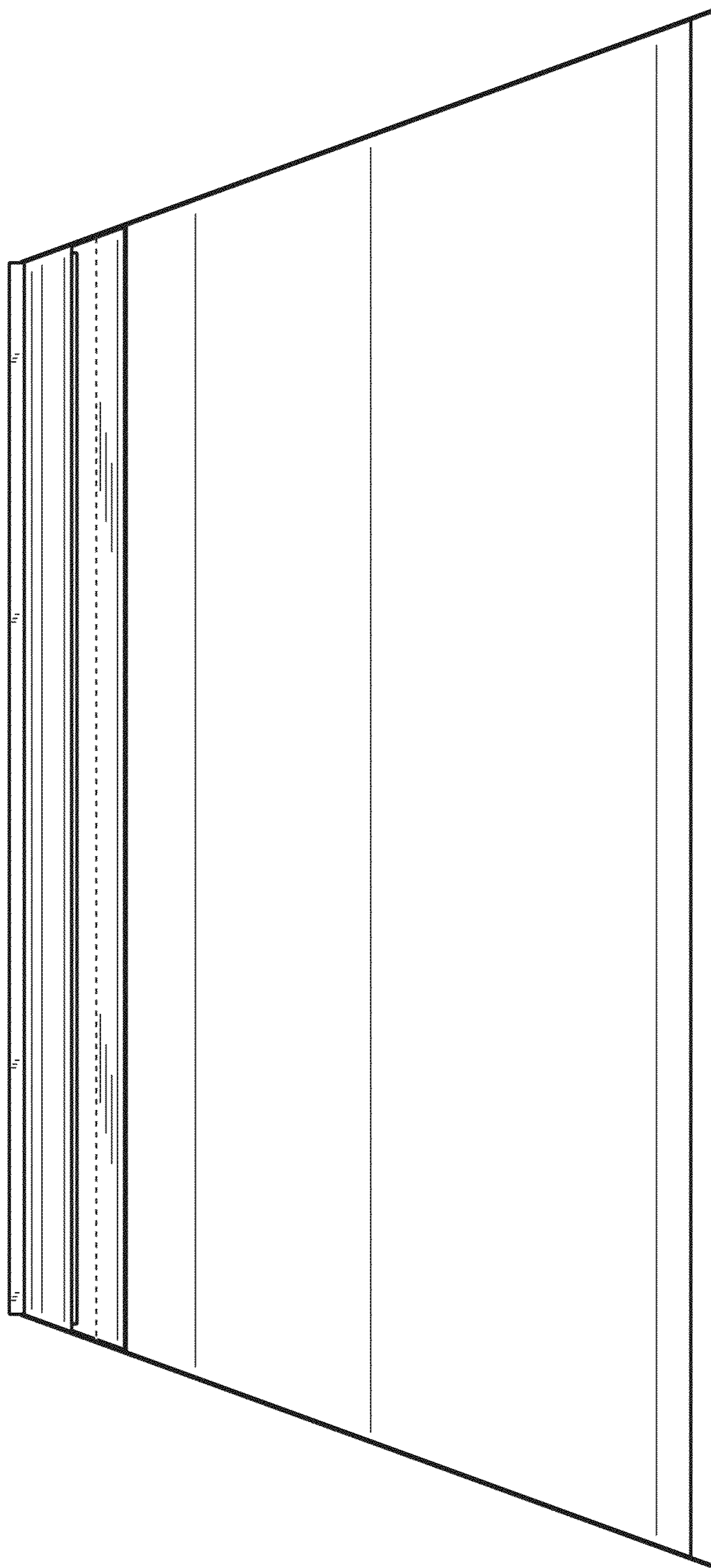


FIG. 12

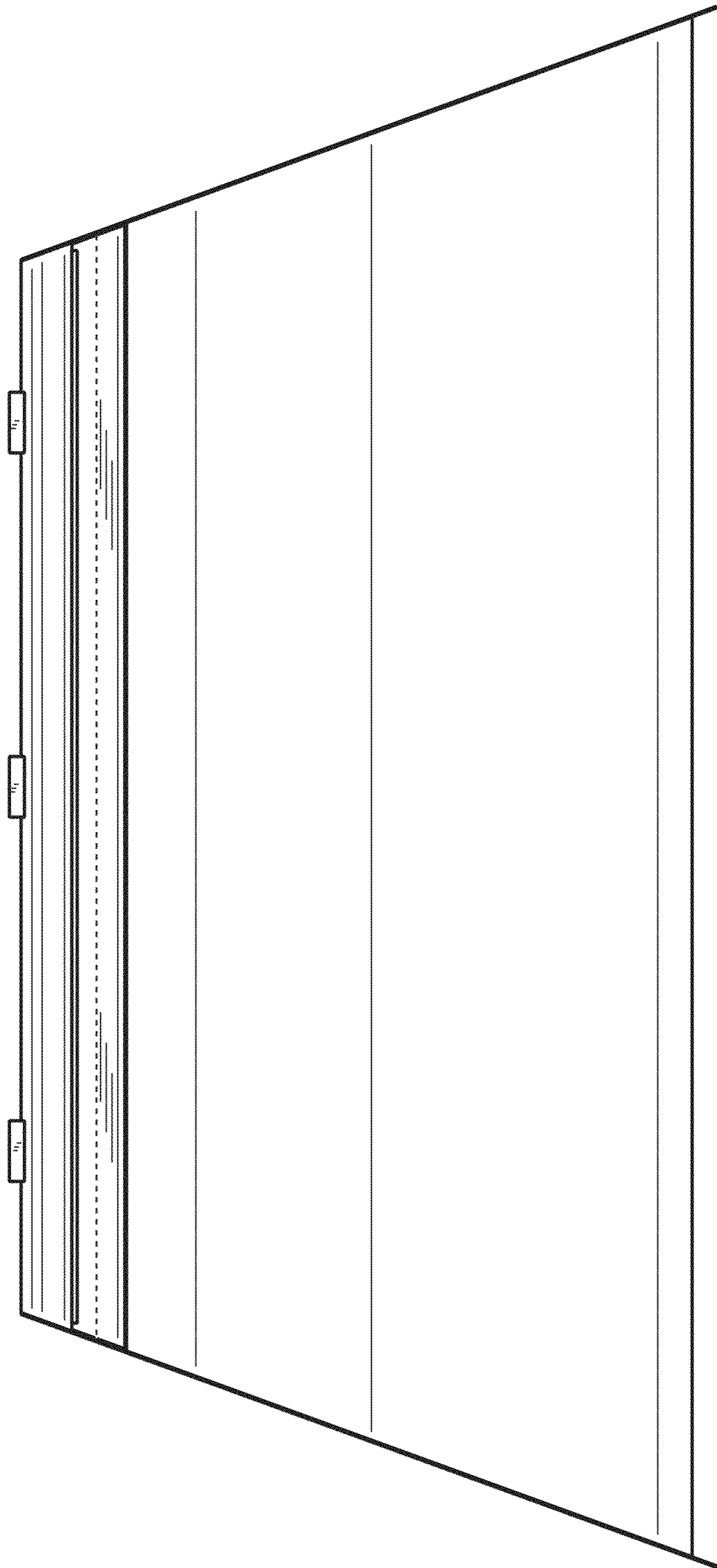


FIG. 13