



US00D707382S

(12) **United States Design Patent**  
**Ni**

(10) **Patent No.:** **US D707,382 S**  
(45) **Date of Patent:** **\*\* Jun. 17, 2014**

(54) **HIGH BAY LIGHT FIXTURE**

(71) Applicant: **Tian Jin ATG Electronics Co., Ltd.**,  
Tianjin (CN)

(72) Inventor: **Yaxi Ni**, Rancho Cucamonga, CA (US)

(73) Assignee: **Tian Jin ATG Electronics Co., Ltd.**,  
Tianjin (CN)

(\*\*) Term: **14 Years**

(21) Appl. No.: **29/475,169**

(22) Filed: **Nov. 30, 2013**

(51) **LOC (10) Cl.** ..... **26-05**

(52) **U.S. Cl.**  
USPC ..... **D26/72; D26/88**

(58) **Field of Classification Search**  
USPC ..... D26/24, 26, 59, 72, 85, 88, 89, 118,  
D26/128, 130, 134–136; 362/147, 350,  
362/404–408, 453–456, 373  
See application file for complete search history.

(56) **References Cited**

**U.S. PATENT DOCUMENTS**

D90,240 S \* 7/1933 Ender ..... D26/134  
D163,812 S \* 7/1951 Mehr ..... D26/63

5,136,490 A \* 8/1992 Morrison ..... 362/294  
5,582,479 A \* 12/1996 Thomas et al. .... 362/277  
D450,406 S \* 11/2001 Knappstein ..... D26/72  
6,467,927 B1 \* 10/2002 Haugaard et al. .... 362/147  
6,494,596 B1 \* 12/2002 Burroughs ..... 362/348  
6,561,676 B1 \* 5/2003 Fischer et al. .... 362/263  
D488,880 S \* 4/2004 Rahn ..... D26/72  
6,733,158 B2 \* 5/2004 Fischer et al. .... 362/404  
7,097,332 B2 \* 8/2006 Vamberi ..... 362/405  
D544,127 S \* 6/2007 Posey et al. .... D26/74  
D627,502 S \* 11/2010 Zheng et al. .... D26/72

\* cited by examiner

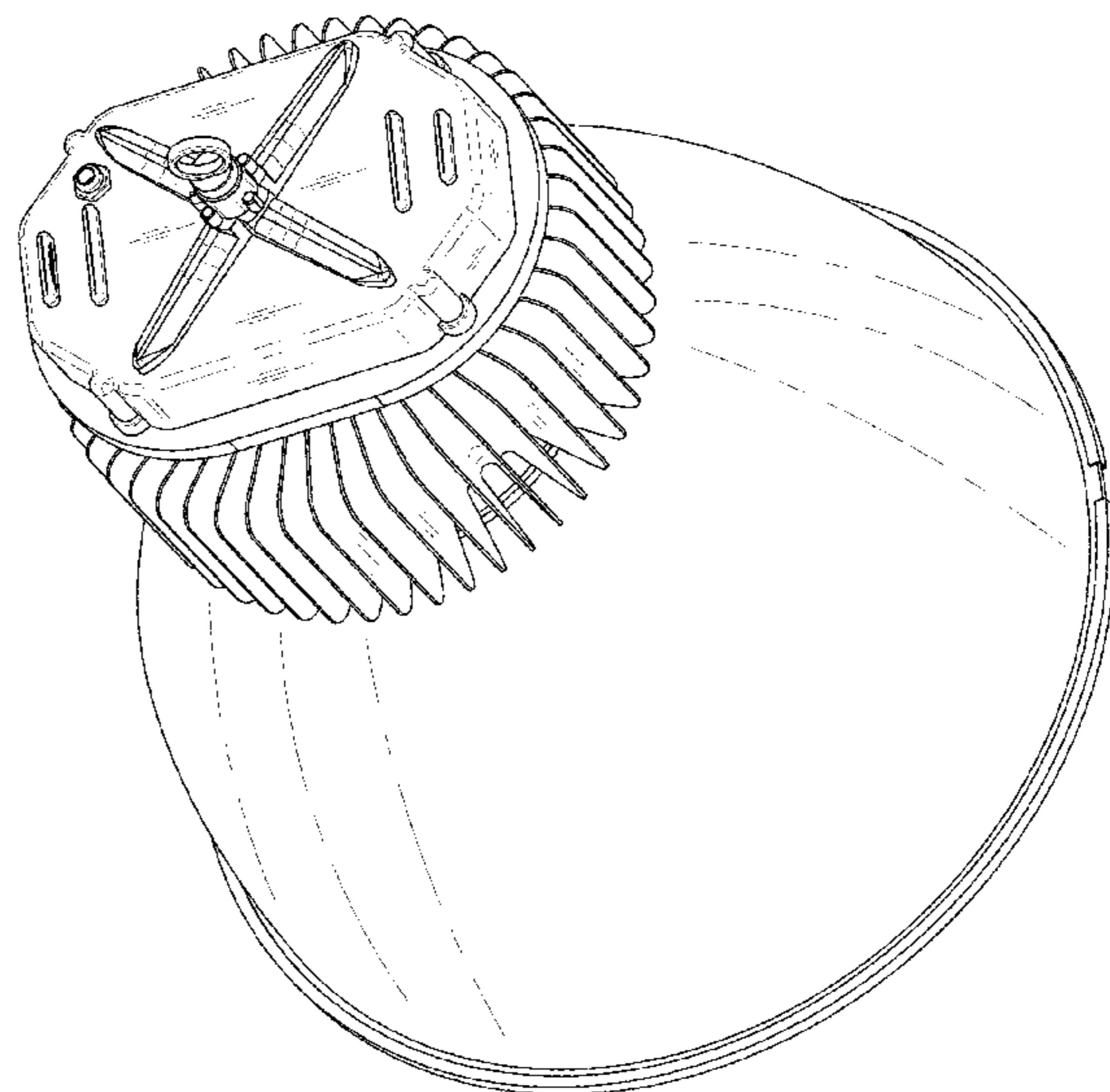
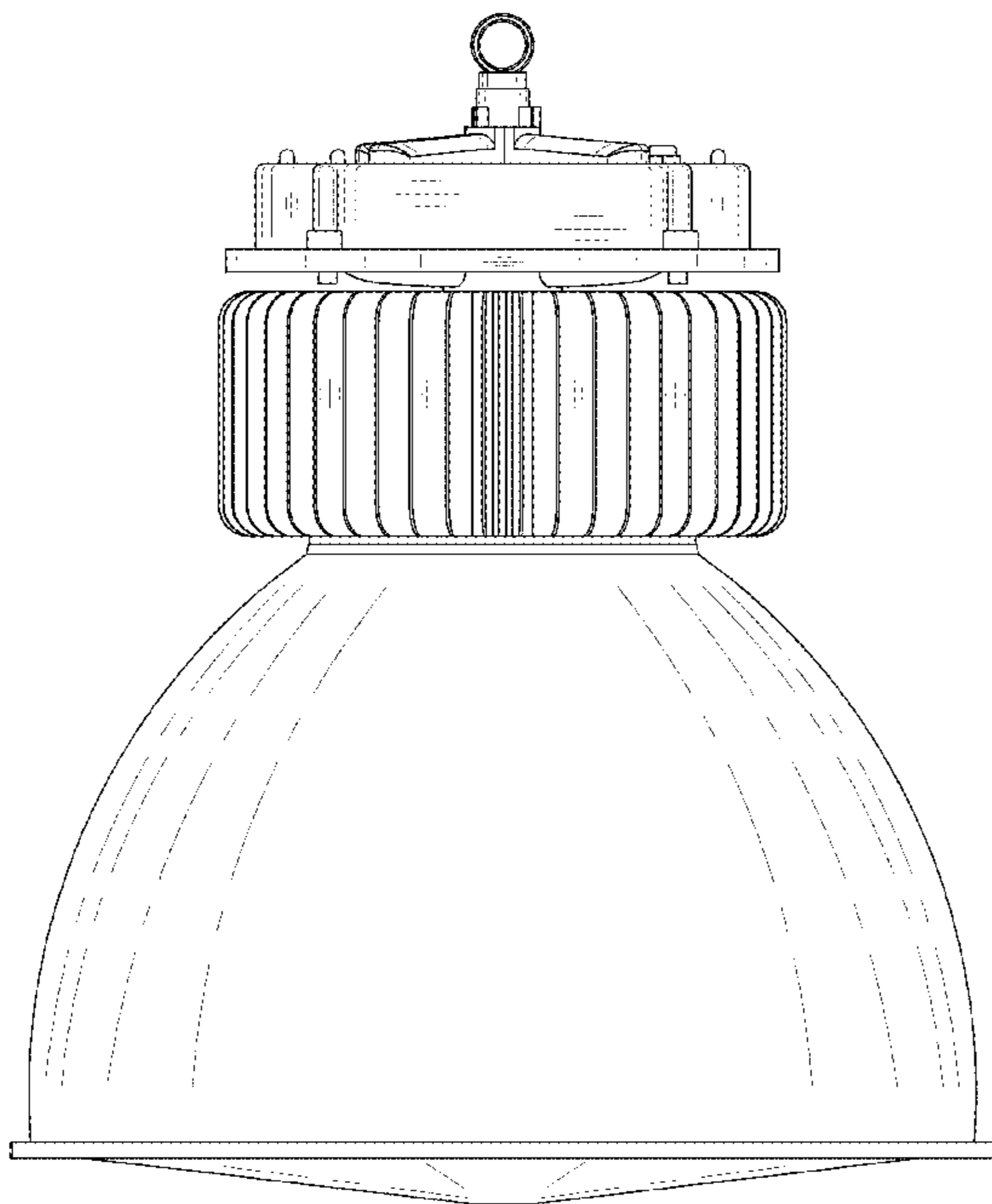
*Primary Examiner* — Clare E Heflin

(57) **CLAIM**  
The ornamental design for a high bay light fixture, as shown.

**DESCRIPTION**

FIG. 1 is a top plan view of a high bay light fixture, showing my new design;  
FIG. 2 is a bottom plan view thereof;  
FIG. 3 is a left side elevational view thereof;  
FIG. 4 is a right side elevational view thereof;  
FIG. 5 is a rear elevational view thereof;  
FIG. 6 is a front elevational view thereof; and,  
FIG. 7 is a perspective view thereof.

**1 Claim, 7 Drawing Sheets**



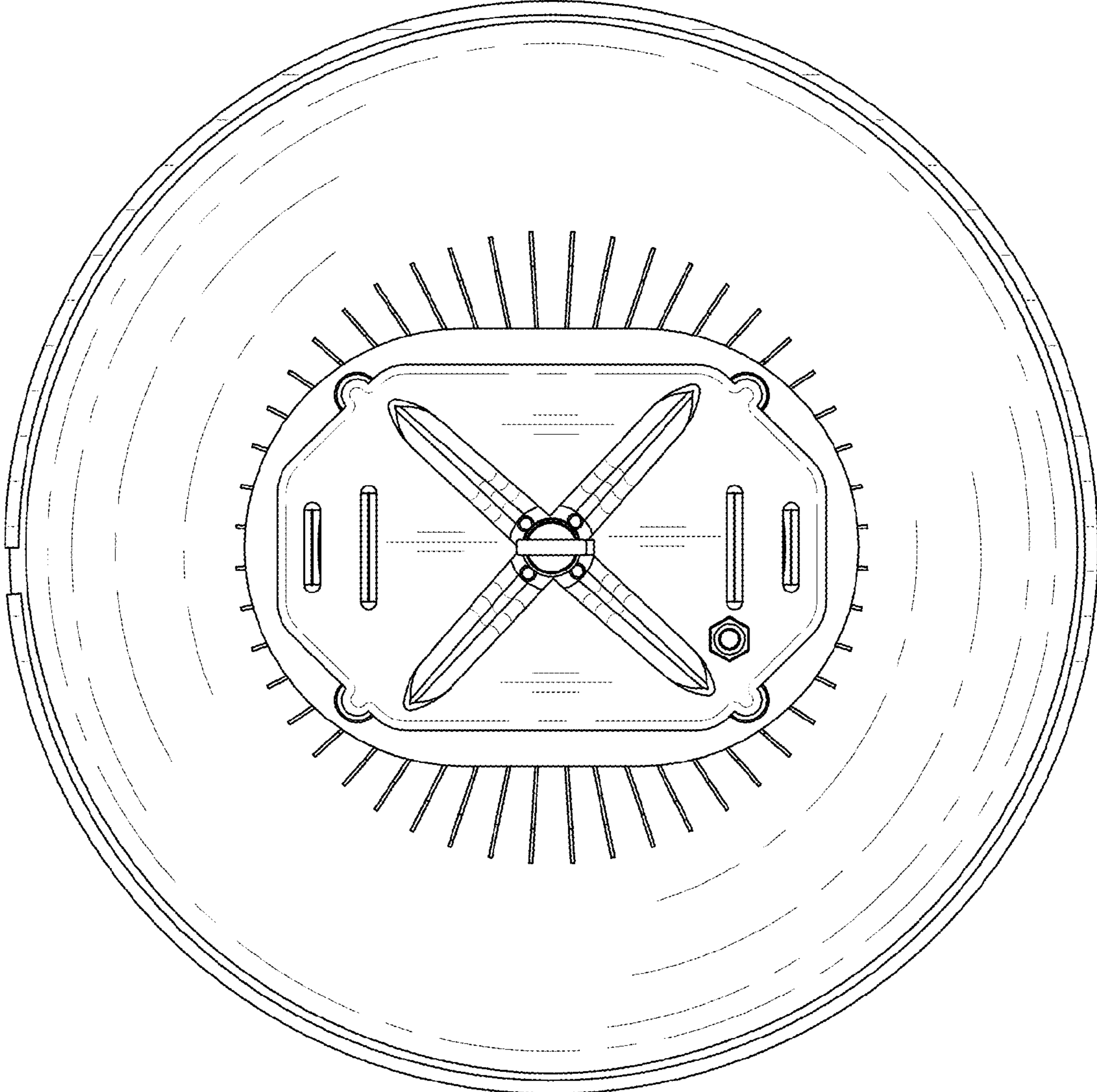


Fig. 1

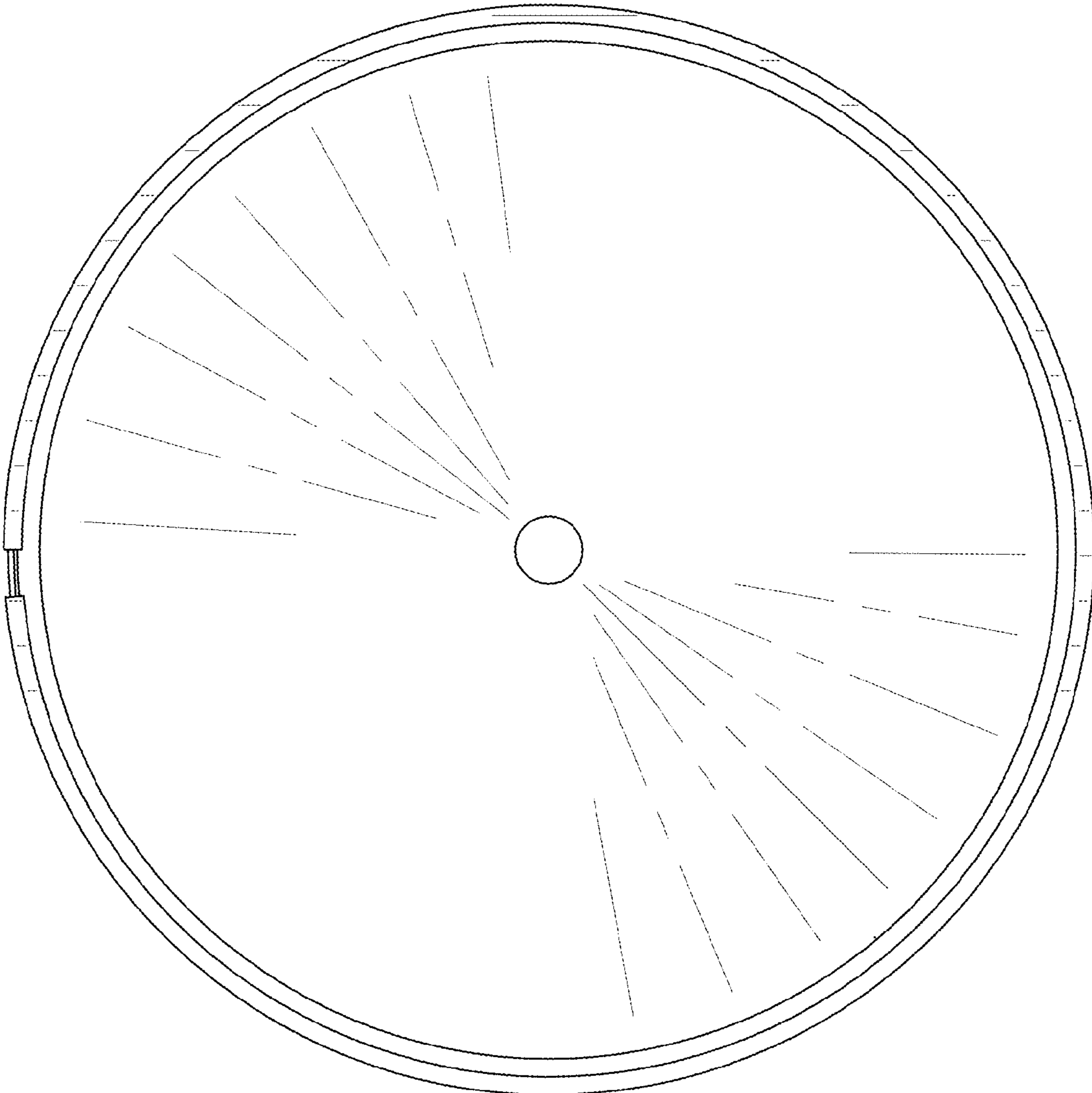


Fig. 2

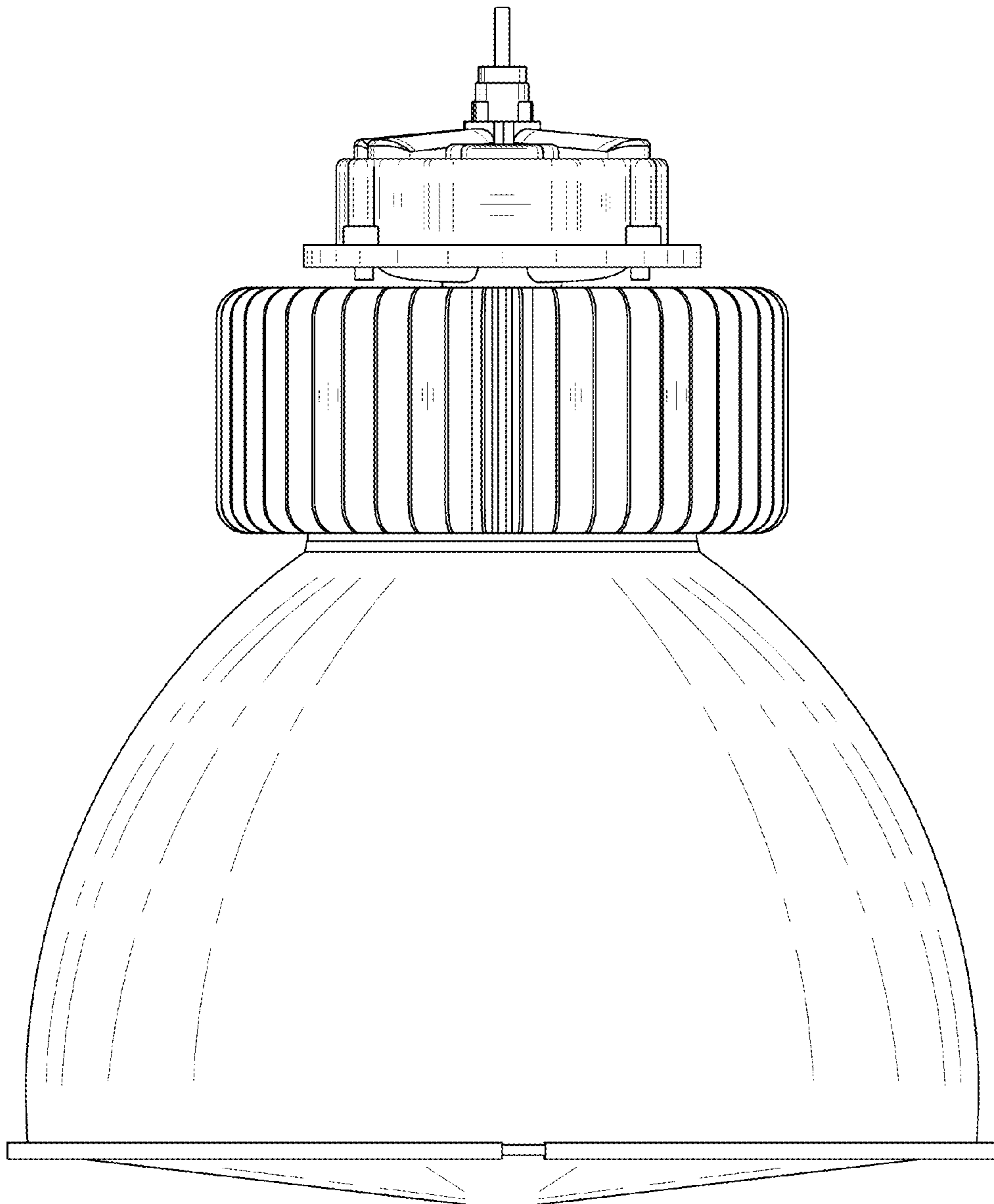


Fig. 3

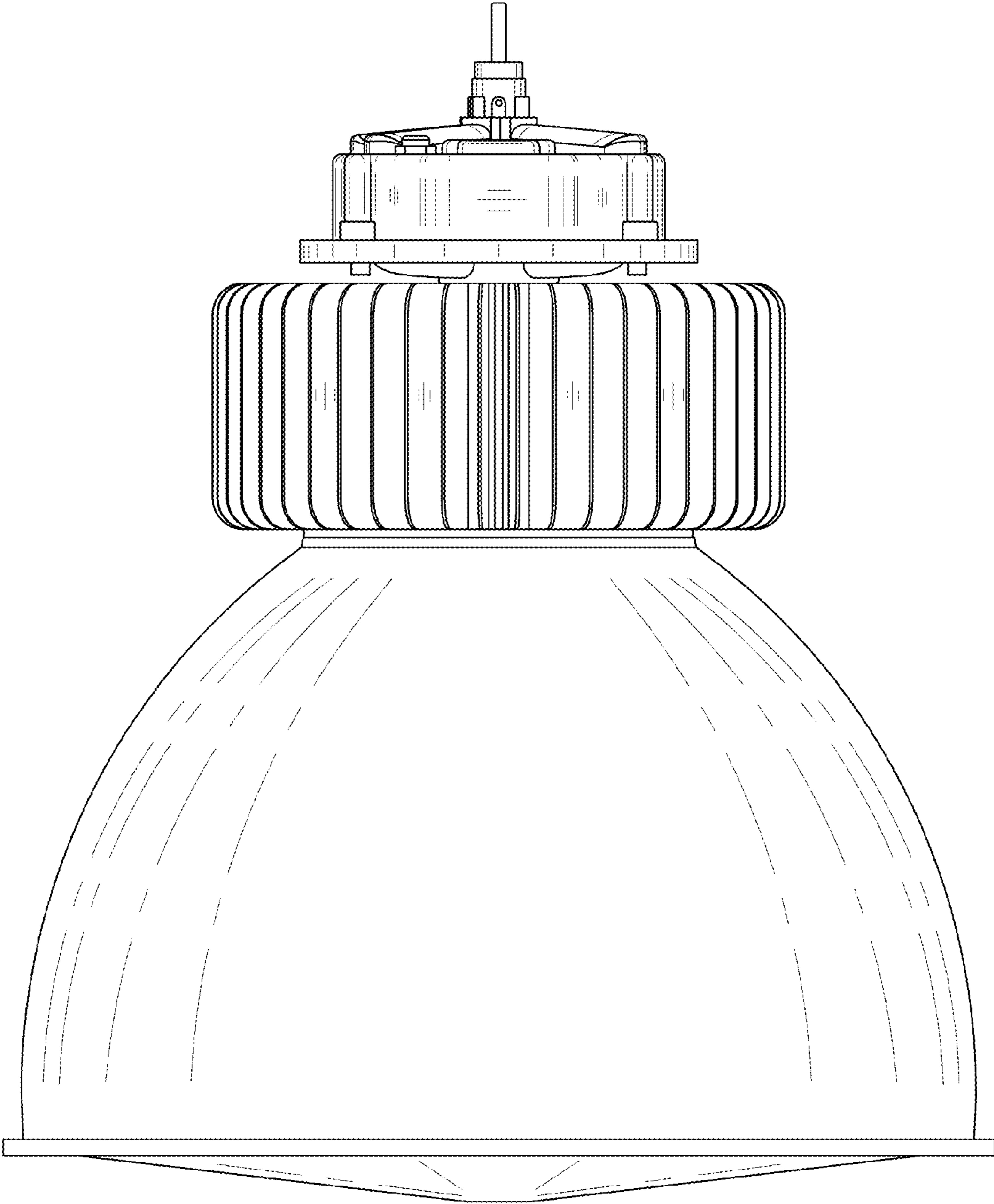


Fig. 4

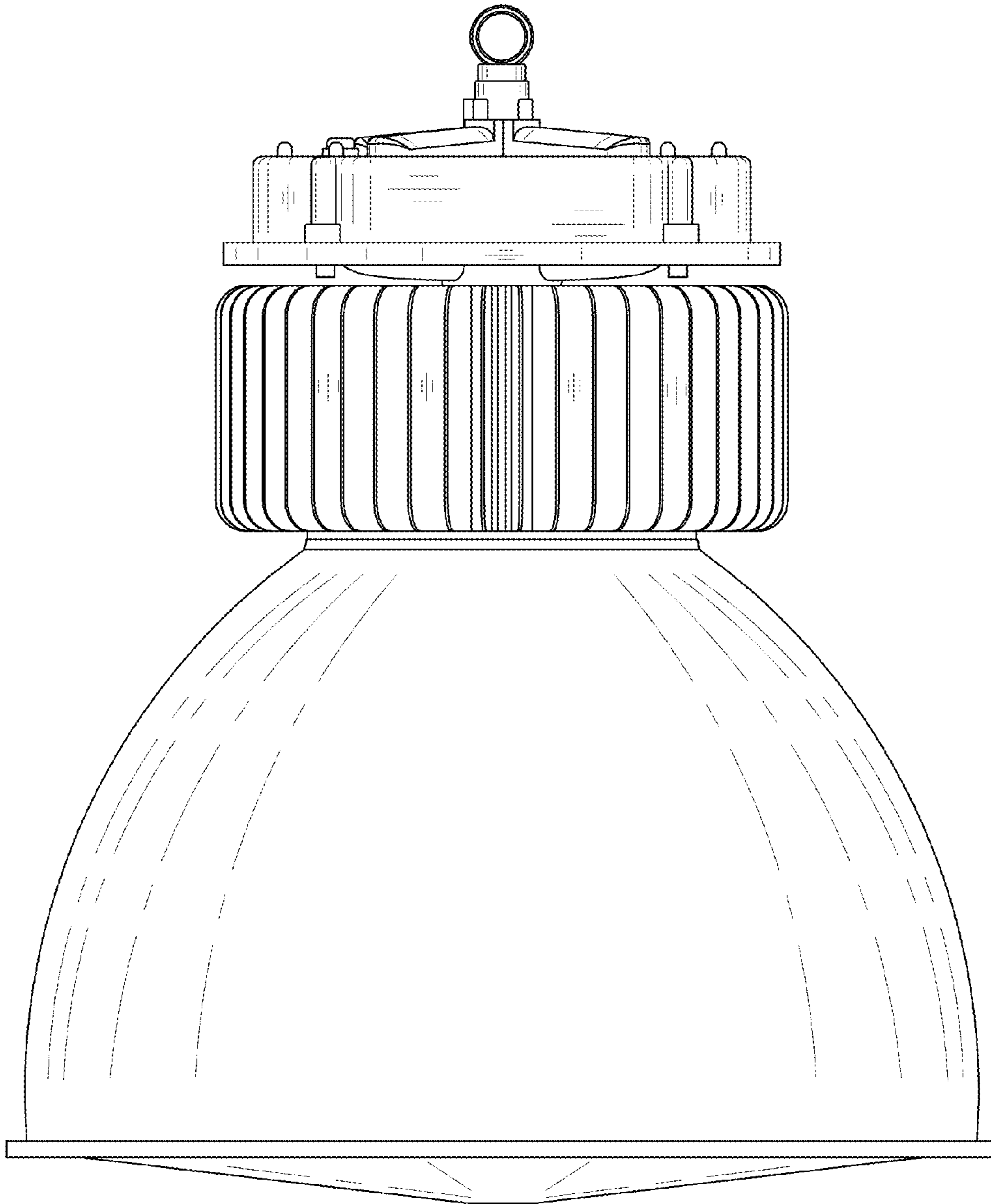


Fig. 5

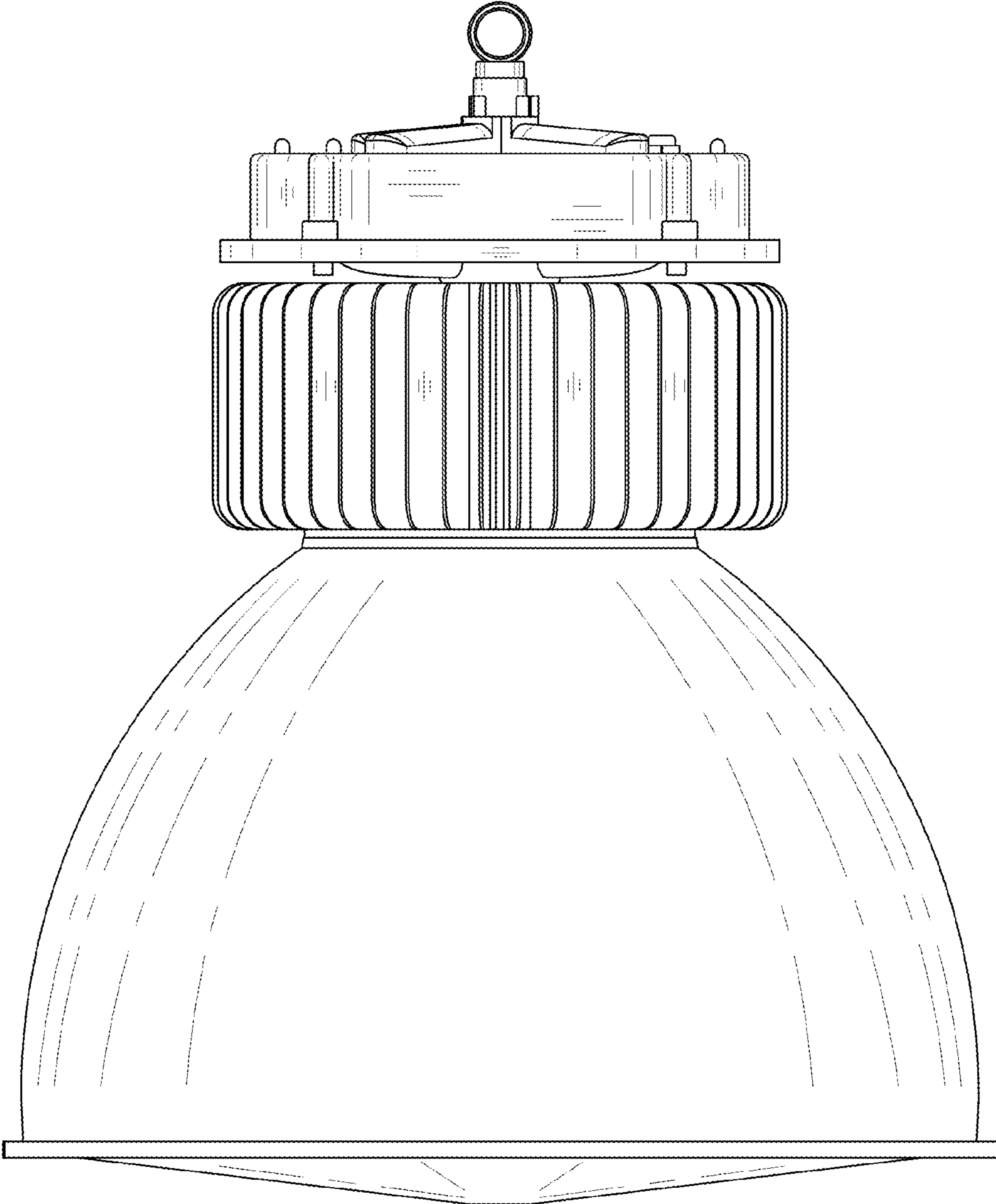


Fig. 6

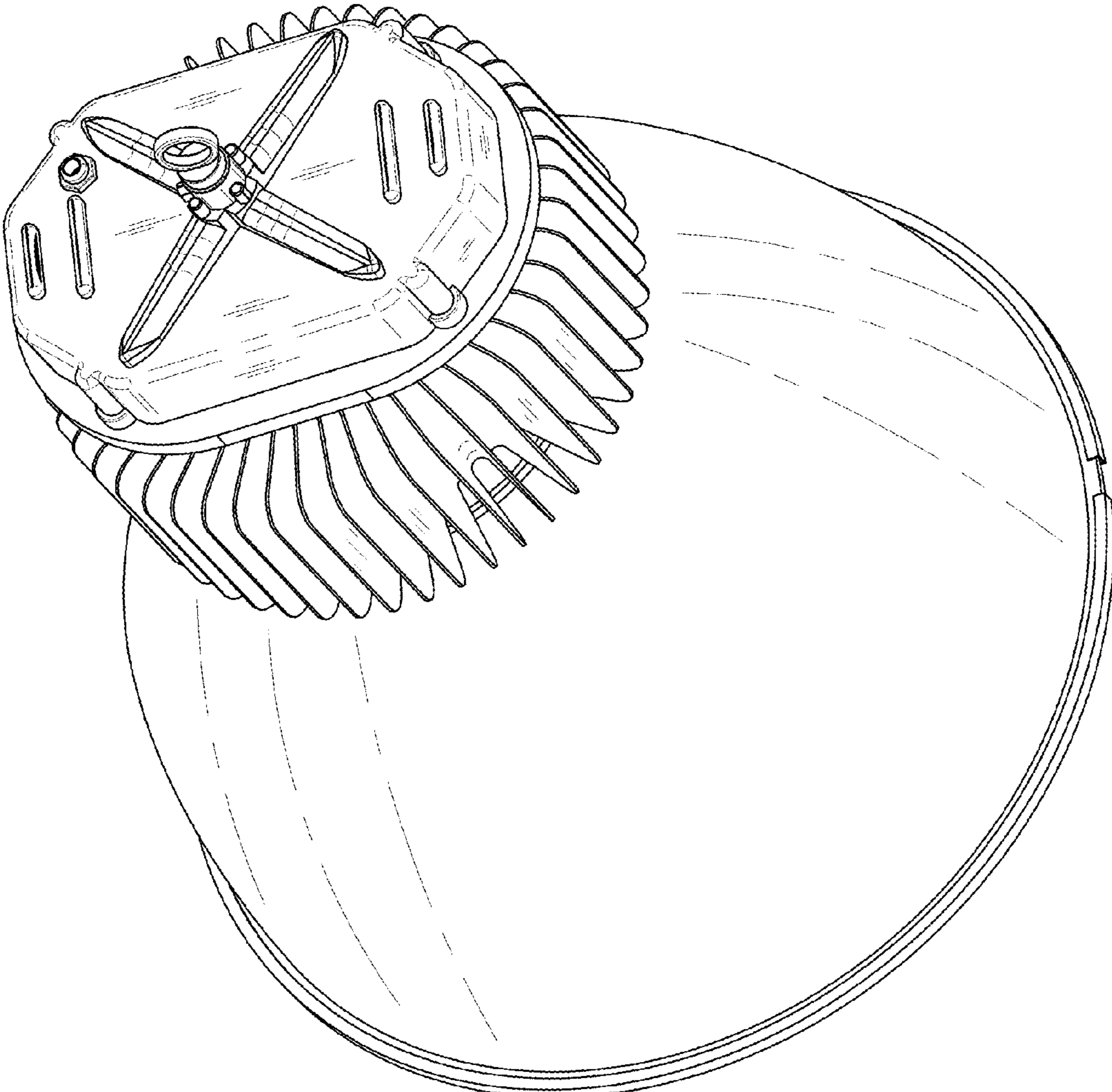


Fig. 7