



US00D707380S

(12) **United States Design Patent**  
**Sooferian**

(10) **Patent No.:** **US D707,380 S**  
(45) **Date of Patent:** **\*\* Jun. 17, 2014**

- (54) **SOLAR LIGHT**
- (71) Applicant: **Danny H. Sooferian**, Camarillo, CA  
(US)
- (72) Inventor: **Danny H. Sooferian**, Camarillo, CA  
(US)
- (\*\*) Term: **14 Years**
- (21) Appl. No.: **29/433,041**
- (22) Filed: **Sep. 25, 2012**
- (51) **LOC (10) Cl.** ..... **26-05**
- (52) **U.S. Cl.**  
USPC ..... **D26/68**
- (58) **Field of Classification Search**  
USPC ..... D26/40, 67-70, 72, 85, 104, 118, 128,  
D26/135; 362/153.1, 183, 414, 431, 432  
See application file for complete search history.

6,494,599	B1	*	12/2002	Leen	.....	362/362
D485,386	S	*	1/2004	Cheong et al.	.....	D26/67
D485,930	S	*	1/2004	Chen	.....	D26/67
D494,698	S	*	8/2004	Hon et al.	.....	D26/67
D557,849	S	*	12/2007	Chen	.....	D26/67
D629,951	S	*	12/2010	Sooferian	.....	D26/68
D629,952	S	*	12/2010	Sooferian	.....	D26/68
D630,363	S	*	1/2011	Sooferian	.....	D26/68
D639,992	S	*	6/2011	Chen	.....	D26/68
D654,609	S	*	2/2012	Chen	.....	D26/68
D663,457	S	*	7/2012	Ho et al.	.....	D26/67
D678,575	S	*	3/2013	Chen	.....	D26/67
D678,576	S	*	3/2013	Chen	.....	D26/67

\* cited by examiner

*Primary Examiner* — Clare E Heflin  
(74) *Attorney, Agent, or Firm* — Colin P. Abrahams

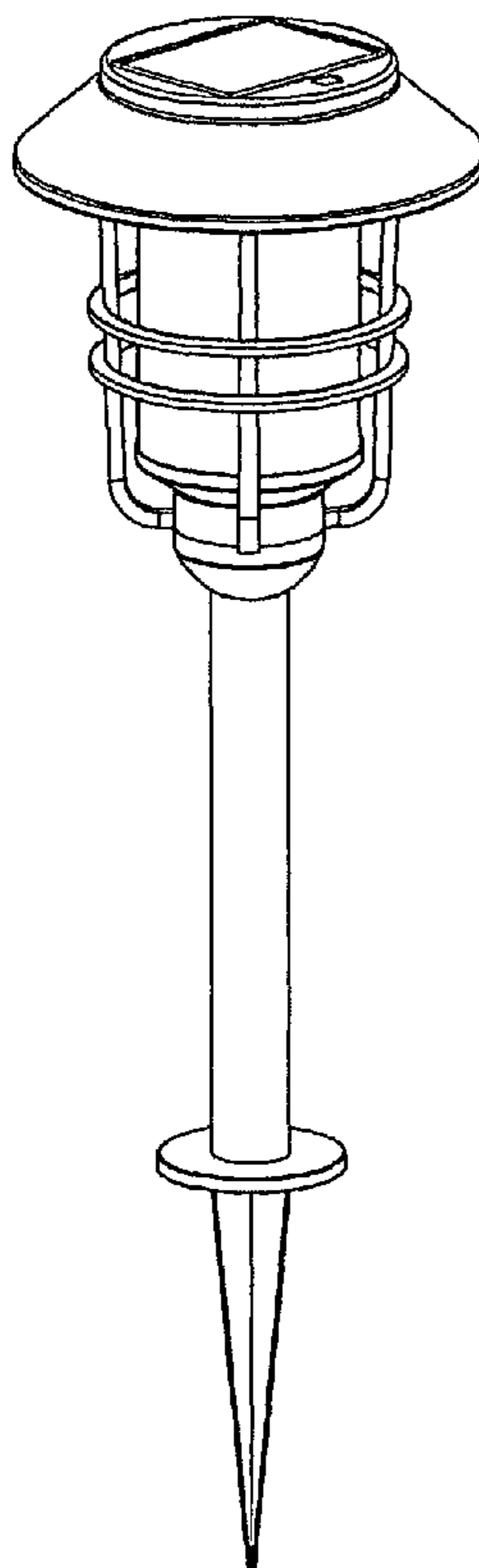
(57) **CLAIM**  
The ornamental design for a solar light, as shown.

**DESCRIPTION**

FIG. 1 is an elevation view of a solar light showing the new design;  
FIG. 2 is a perspective view thereof;  
FIG. 3 is an exploded elevation view thereof; and,  
FIG. 4 is an exploded perspective view thereof.  
The broken lines shown in FIG. 3 depict portions of the solar light that form no part of the claimed design.

- (56) **References Cited**  
U.S. PATENT DOCUMENTS
- D51,774 S \* 2/1918 Coppinger ..... D26/51
- D195,990 S \* 8/1963 Pettengill ..... D26/67
- D284,312 S \* 6/1986 Patel ..... D26/67
- 4,774,648 A \* 9/1988 Kakuk et al. .... 362/302
- D309,785 S \* 8/1990 Chien ..... D26/67
- D353,013 S \* 11/1994 Szekely et al. .... D26/67
- D453,388 S \* 2/2002 Leen ..... D26/67

**1 Claim, 1 Drawing Sheet**



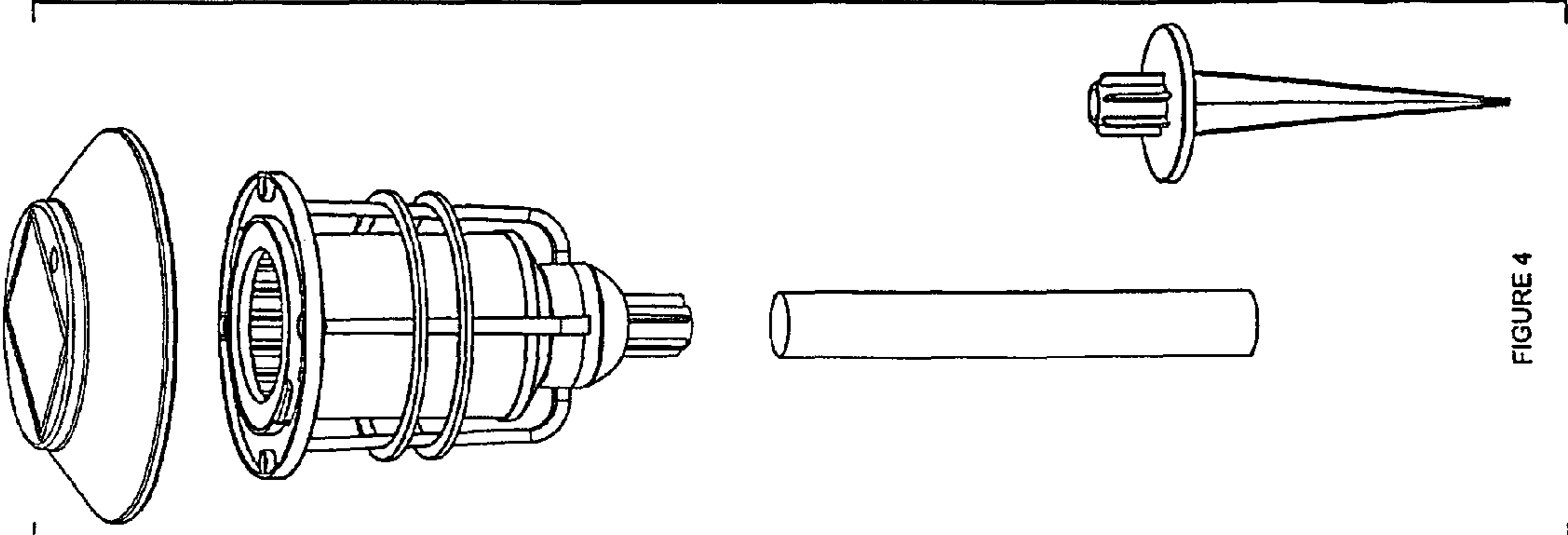


FIGURE 4

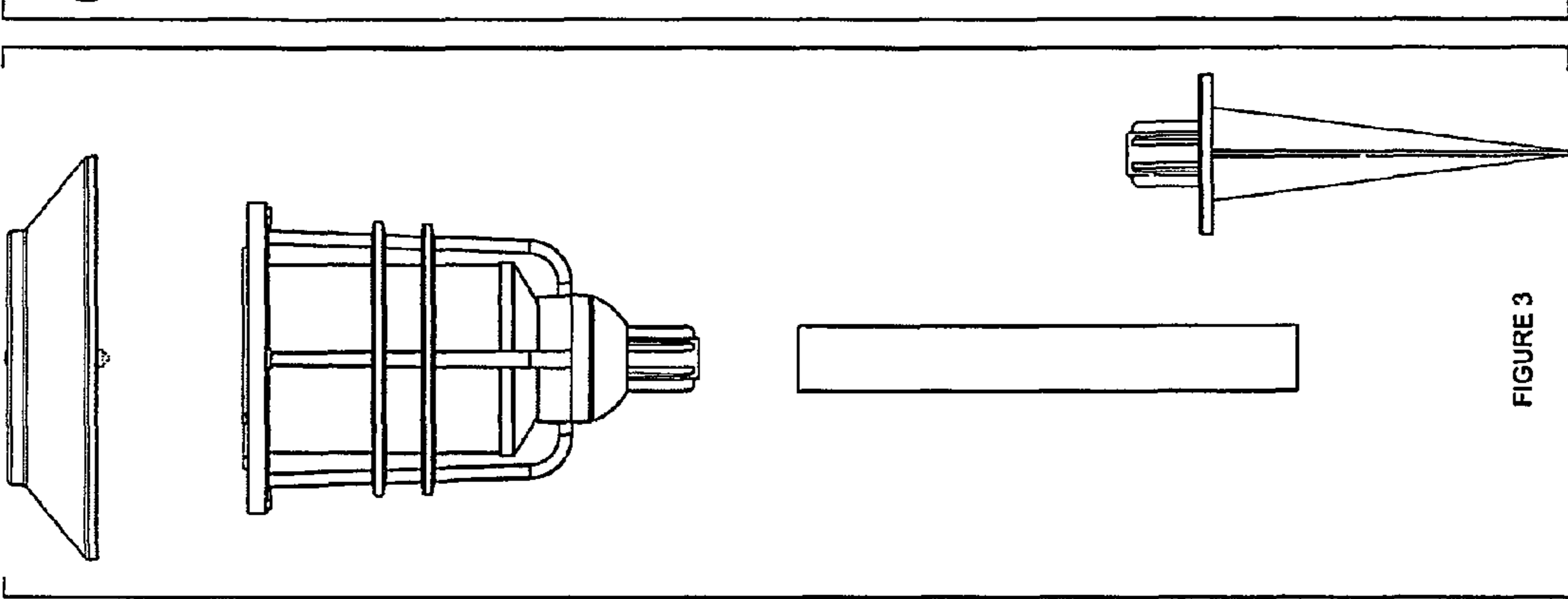


FIGURE 3

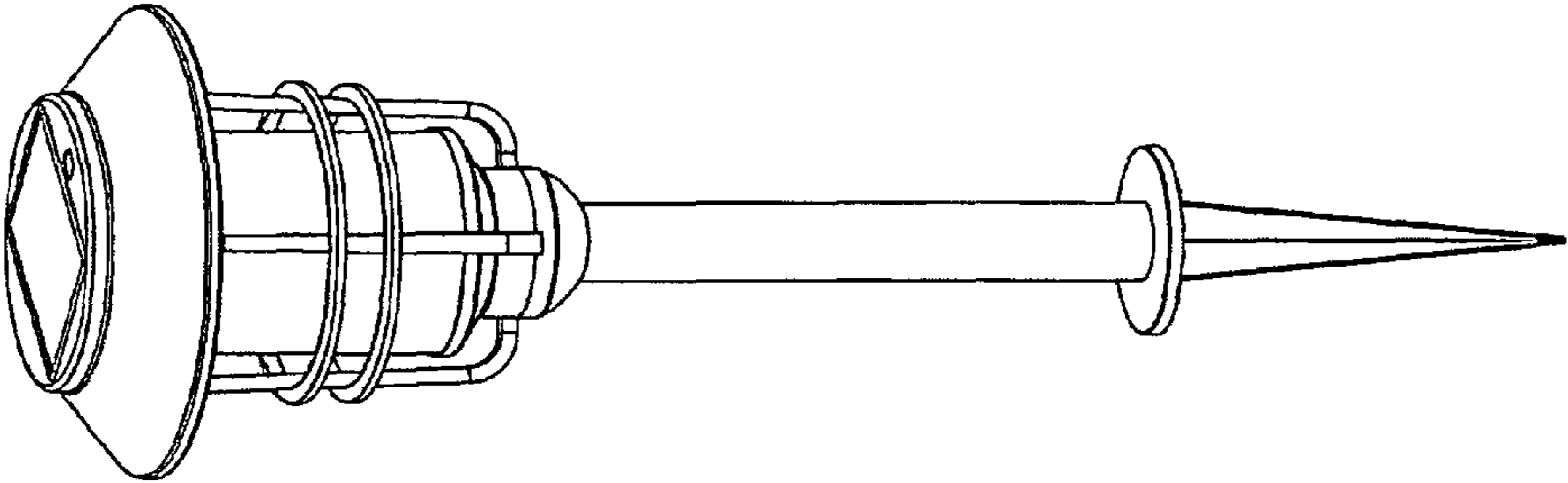


FIGURE 2

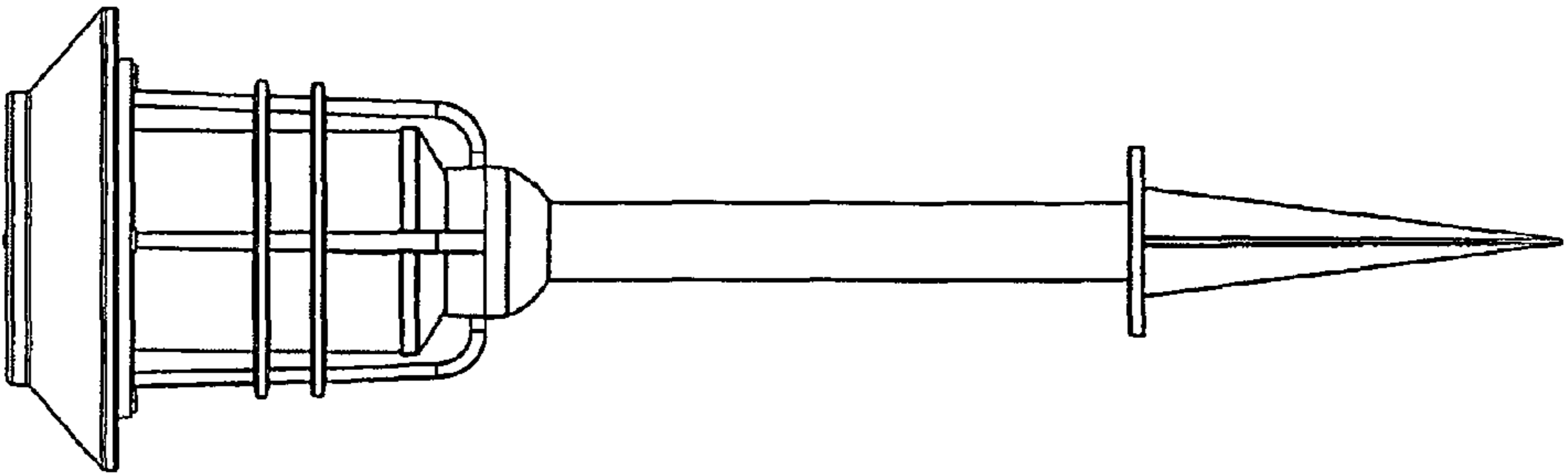


FIGURE 1