



US00D707379S

(12) **United States Design Patent**
Reinoso

(10) **Patent No.:** **US D707,379 S**
(45) **Date of Patent:** **** Jun. 17, 2014**

(54) **LED LIGHT FIXTURE**

(75) Inventor: **Jhansen Reinoso**, Miami, FL (US)

(73) Assignee: **Leilani Reinoso**, Miami Gardens, FL (US), part interest

(**) Term: **14 Years**

(21) Appl. No.: **29/424,862**

(22) Filed: **Jun. 15, 2012**

(51) **LOC (10) Cl.** **26-05**

(52) **U.S. Cl.**
USPC **D26/63**

(58) **Field of Classification Search**
CPC F21K 9/00; F21V 5/007; F21V 7/005;
F21V 7/0083; F21V 11/04; F21V 11/14;
F21V 15/01; F21V 19/001; F21V 21/002;
F21V 21/06; F21V 21/0885; F21V 21/145;
F21V 21/30; F21V 33/0024
USPC D26/60–66, 72, 85, 87, 92, 86, 102;
362/145, 147, 269–271, 277, 282, 285,
362/289, 287, 640, 418, 427, 264, 294, 449,
362/268, 310, 311.01, 371–373

See application file for complete search history.

(56) **References Cited**

U.S. PATENT DOCUMENTS

D226,020	S	*	1/1973	Anderson	D26/63
D625,870	S	*	10/2010	Feigenbaum	D26/63
D650,109	S	*	12/2011	Maxik et al.	D26/63
D654,607	S	*	2/2012	Kim et al.	D26/63

* cited by examiner

Primary Examiner — Brian N Vinson

(74) *Attorney, Agent, or Firm* — Christopher J. Vandam, PA;
Chris Vandam

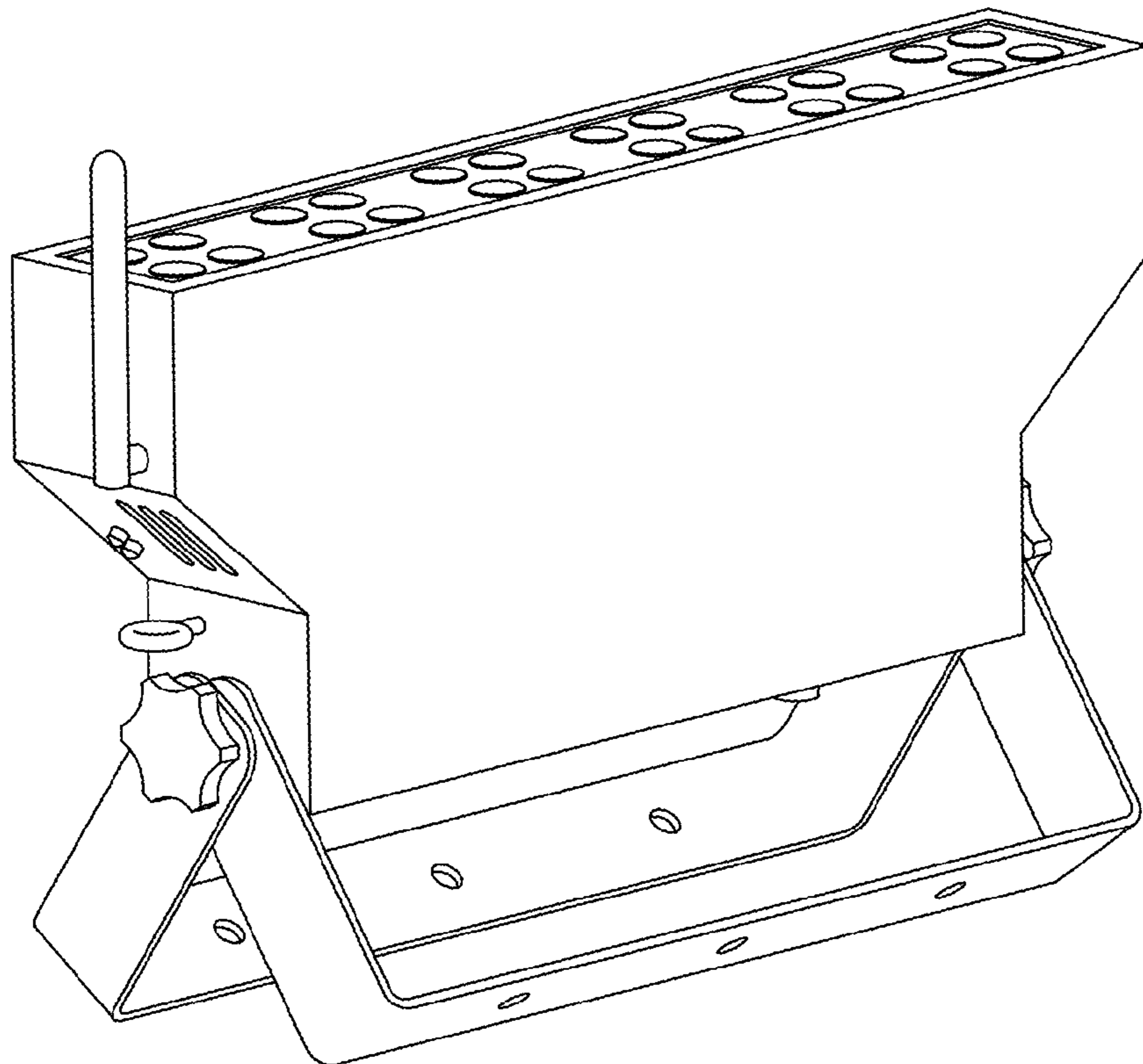
(57) **CLAIM**

I claim an ornamental design for a LED light fixture, as shown and described.

DESCRIPTION

FIG. 1 is a perspective view of a LED light fixture.
FIG. 2 is a perspective view thereof.
FIG. 3 is a plan view thereof.
FIG. 4 is an elevation view thereof.
FIG. 5 is an elevation view thereof.
FIG. 6 is an elevation view thereof.
FIG. 7 is a plan view thereof.
FIG. 8 is a perspective view thereof; and,
FIG. 9 is a perspective view thereof.

1 Claim, 4 Drawing Sheets



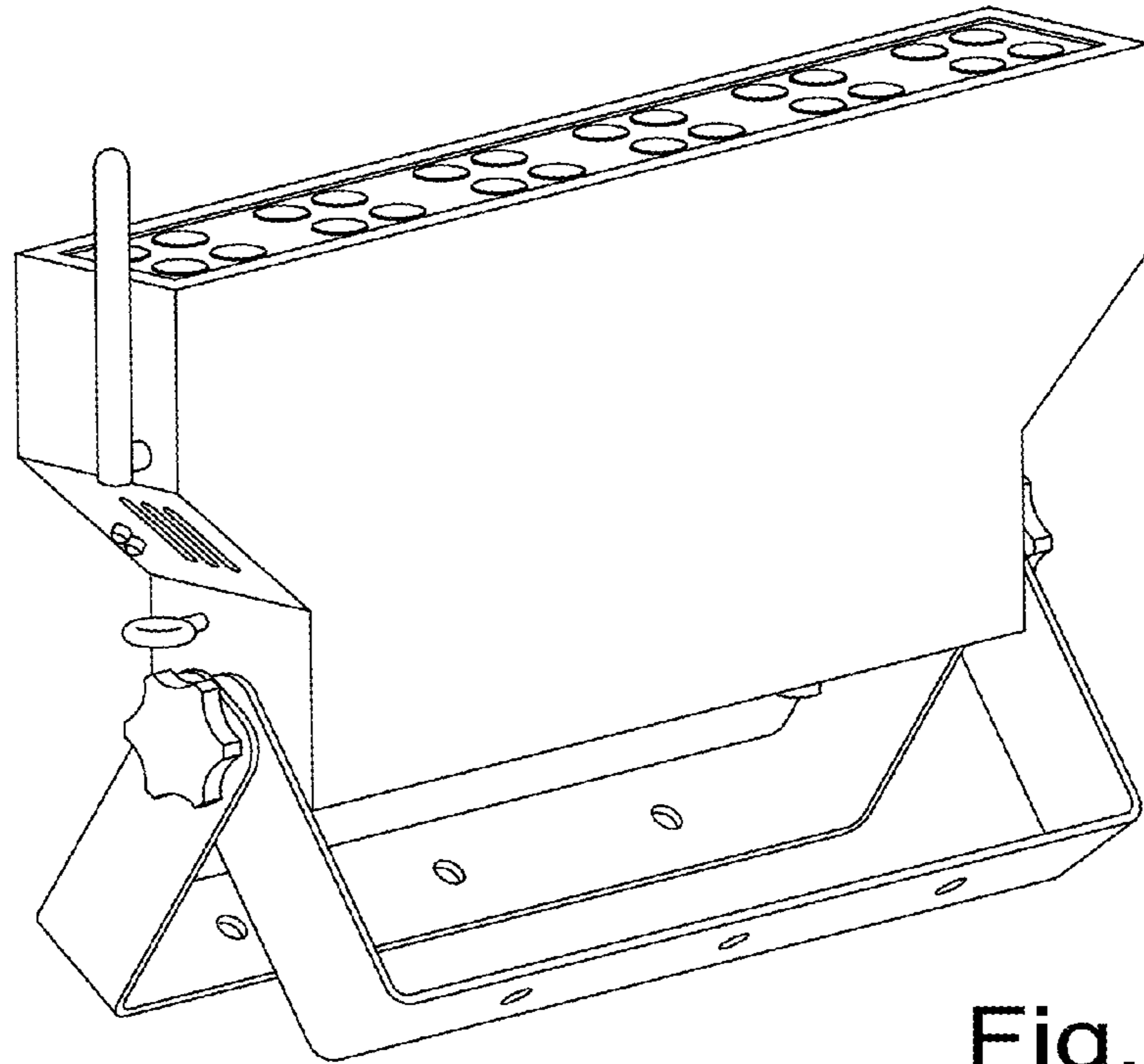


Fig. 1

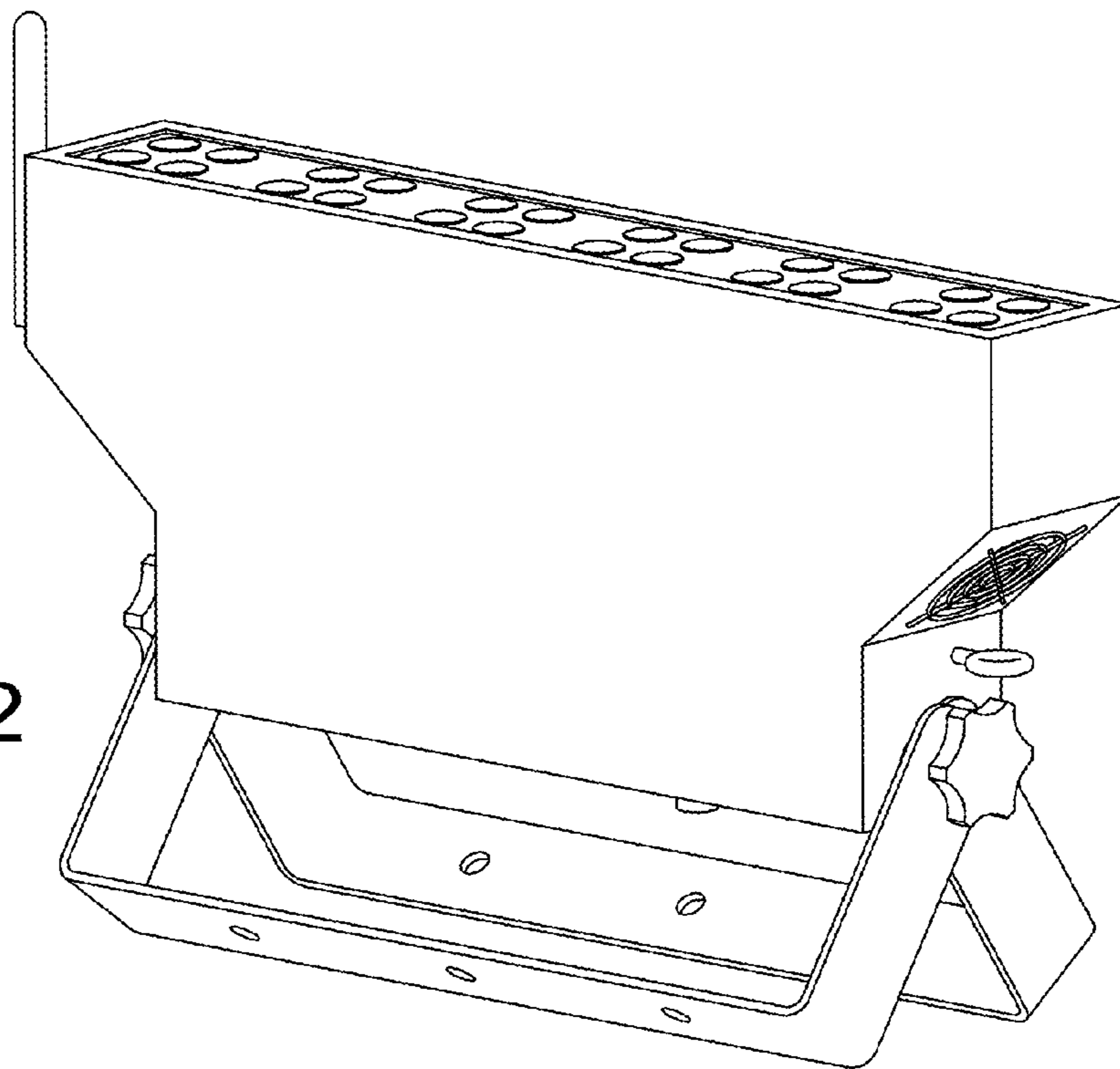


Fig. 2

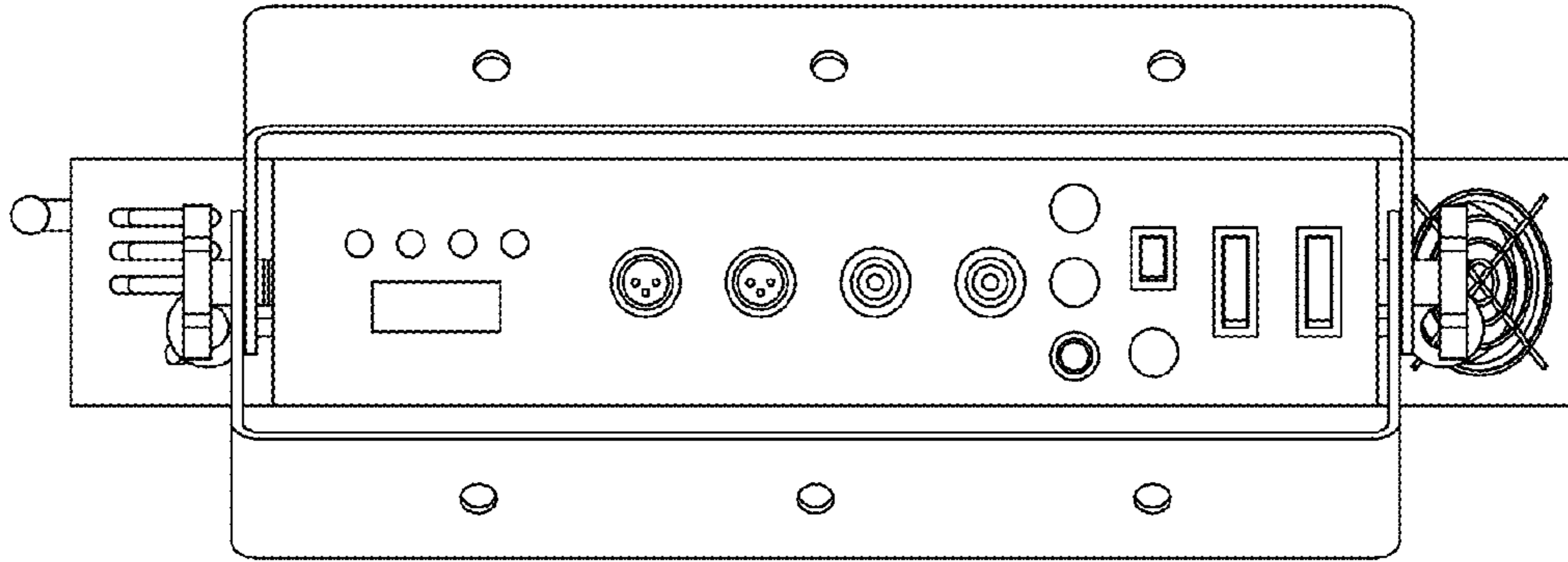


Fig. 3

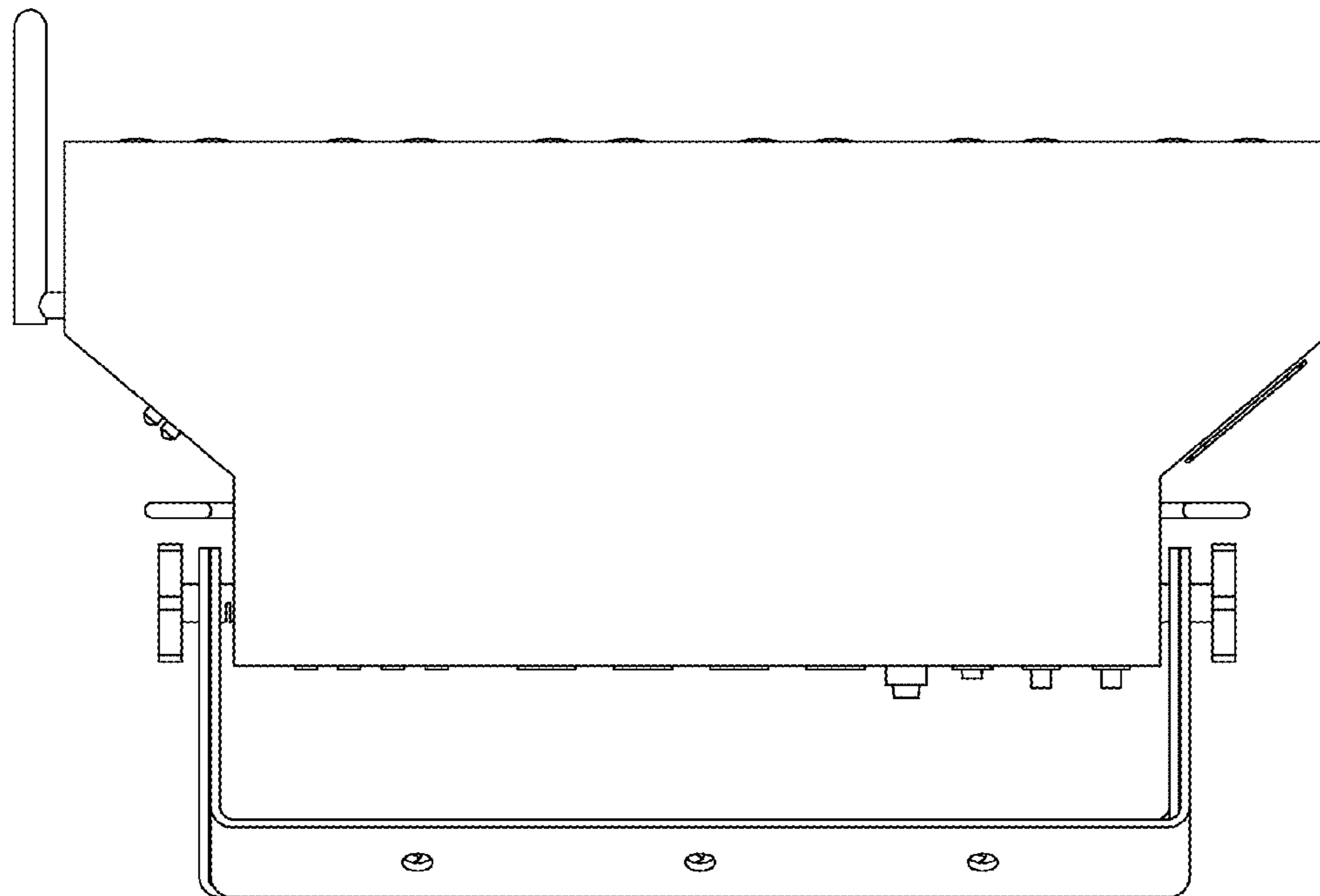


Fig. 4

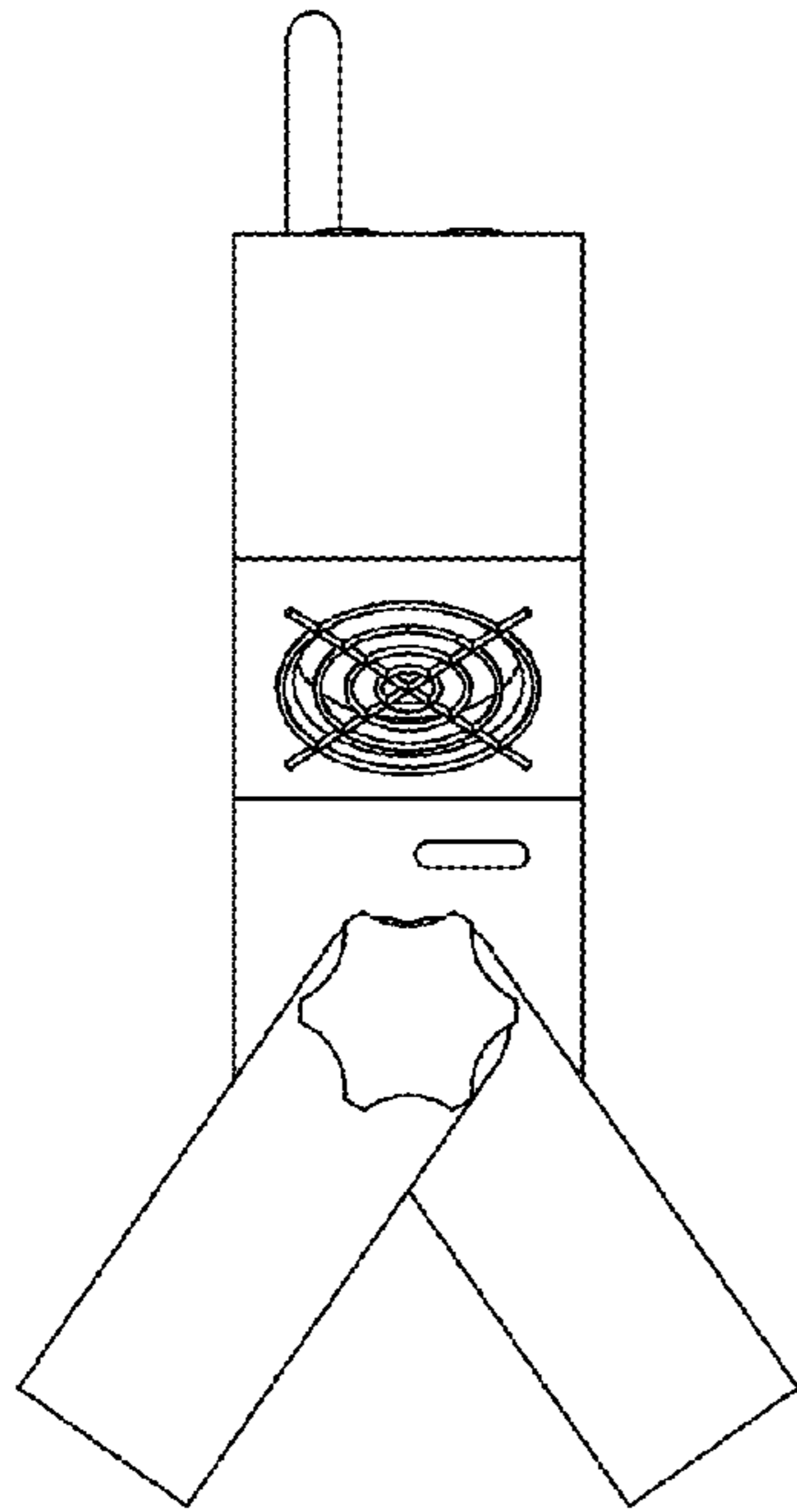


Fig. 5

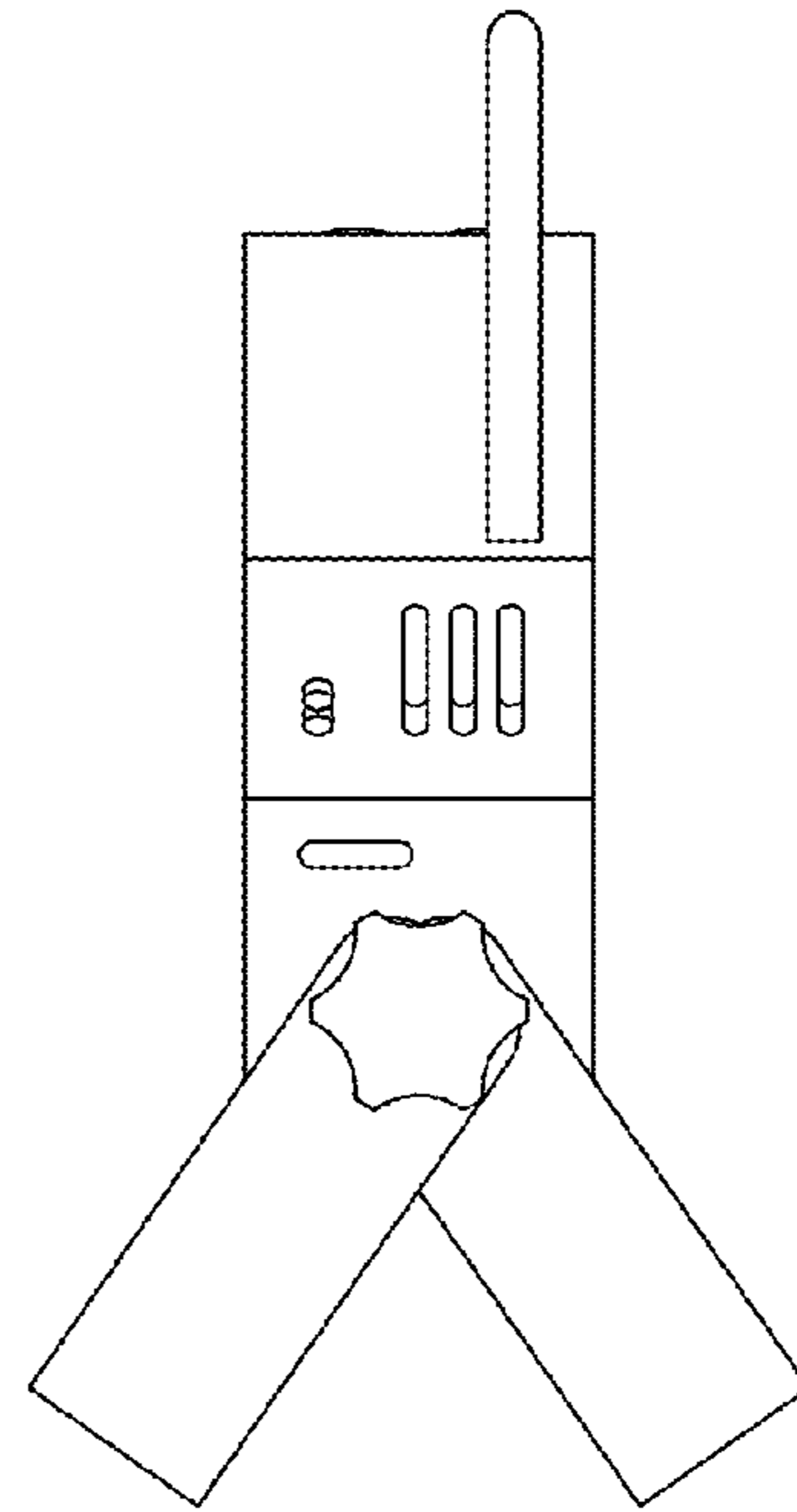


Fig. 6

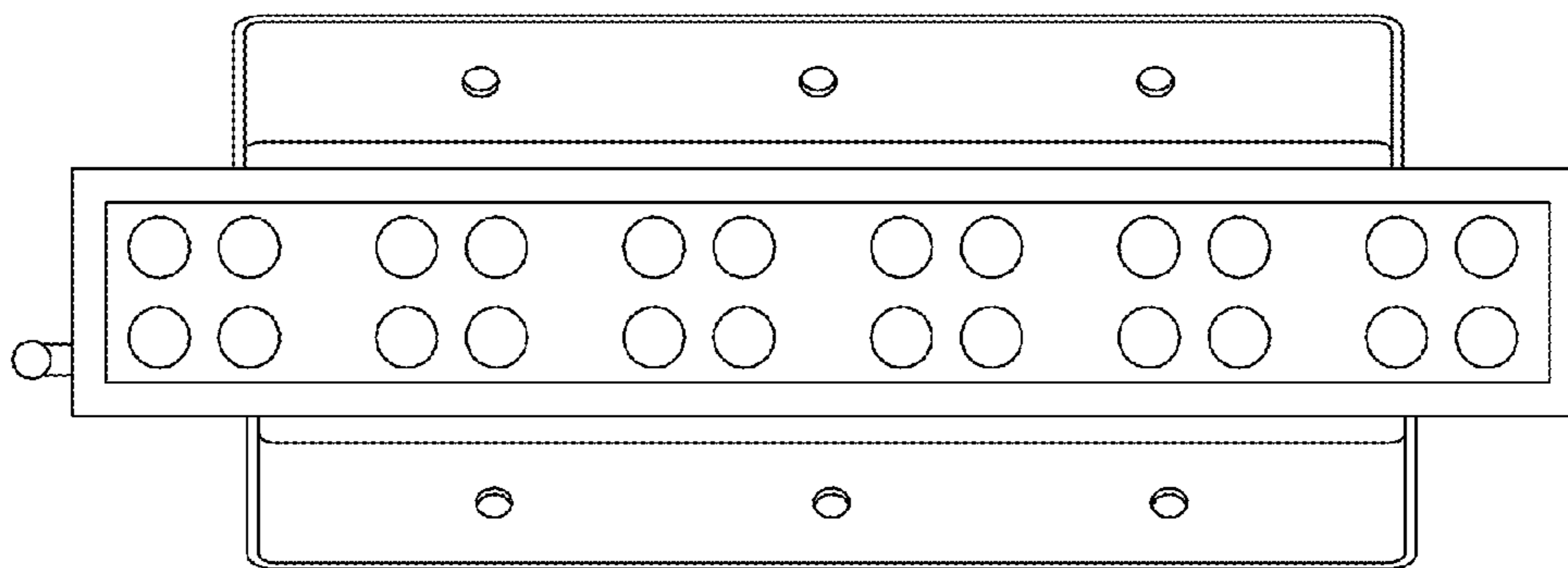


Fig. 7

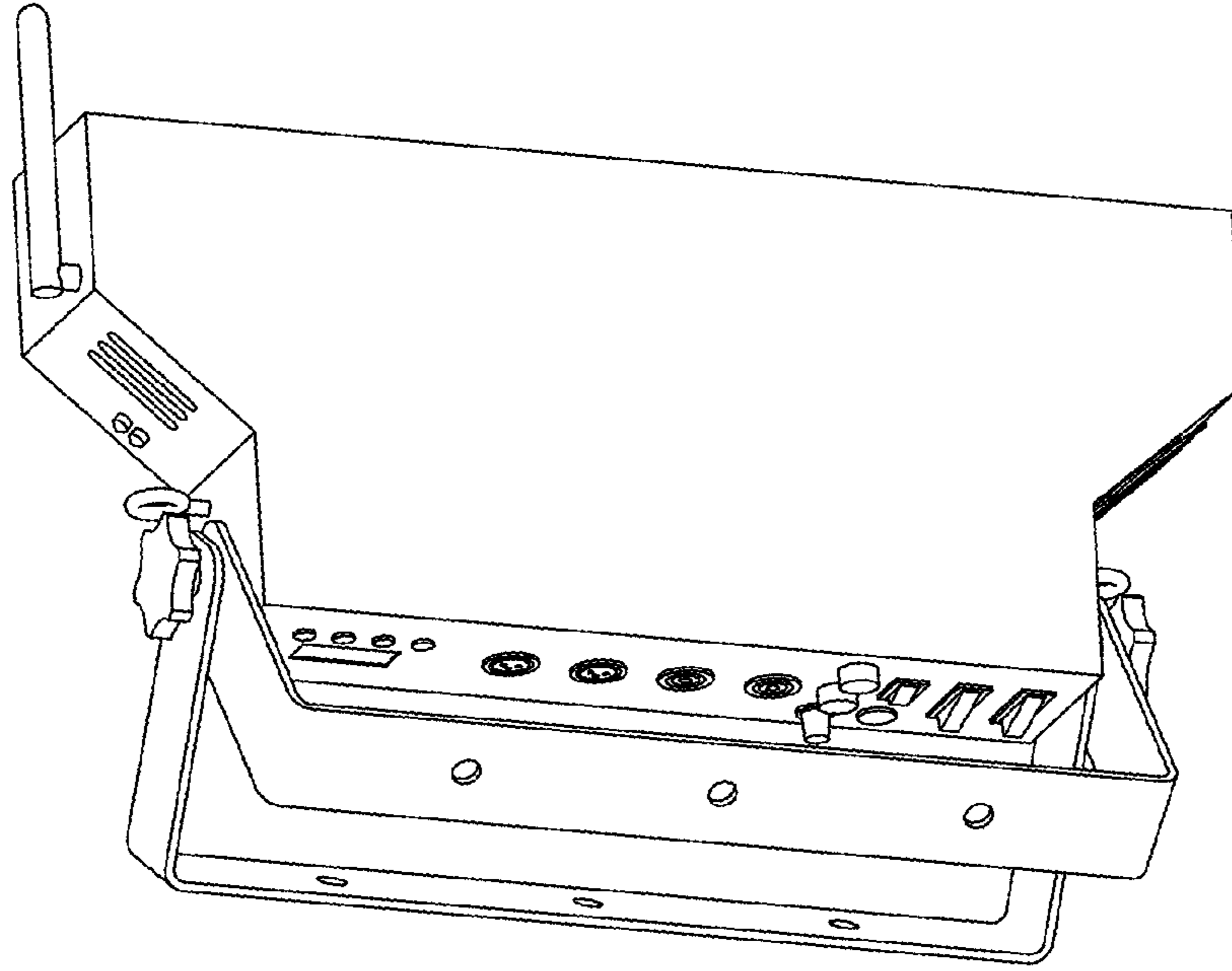


Fig. 8

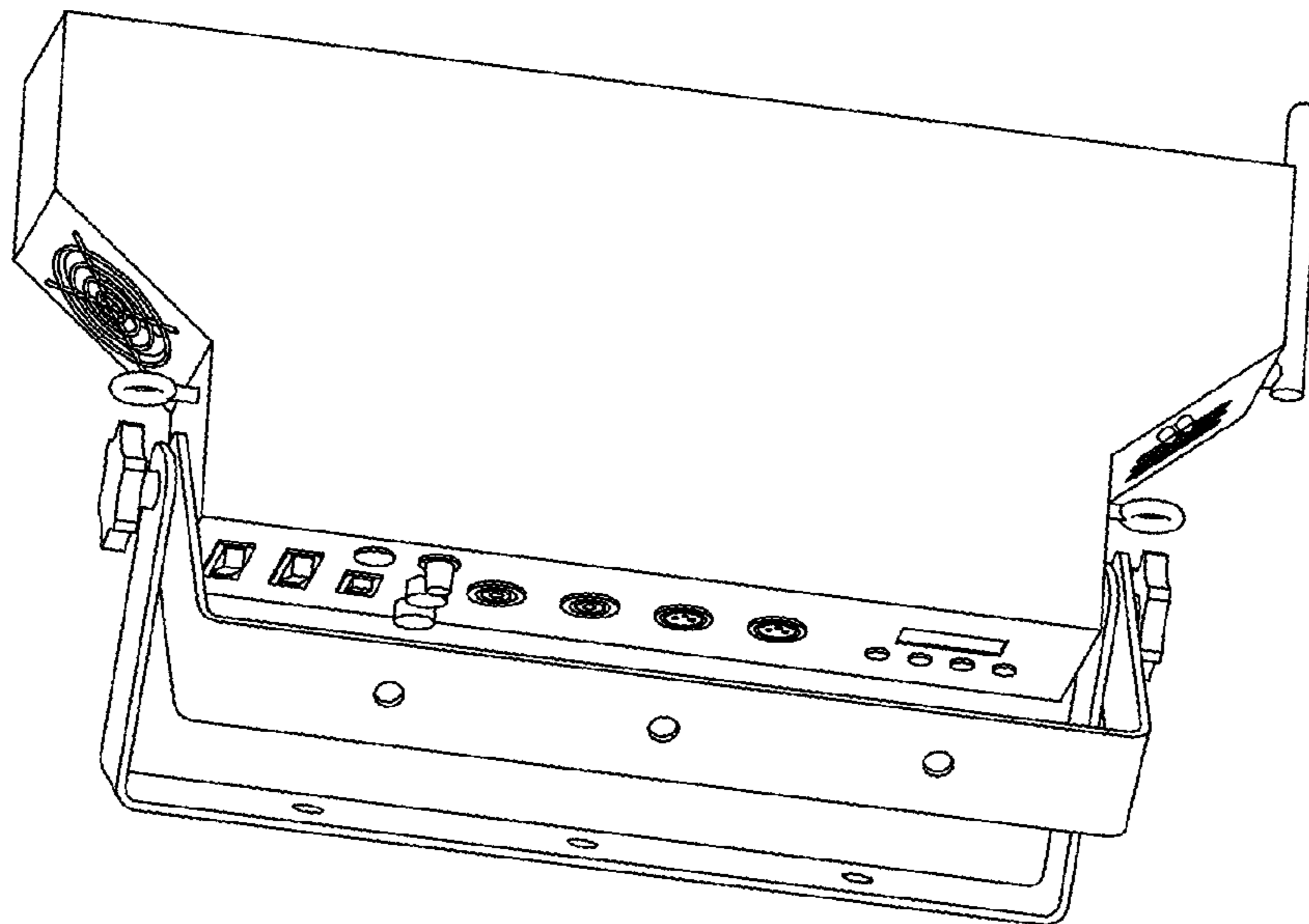


Fig. 9