



US00D707378S

(12) **United States Design Patent**
Shiu

(10) **Patent No.:** **US D707,378 S**
(45) **Date of Patent:** **** Jun. 17, 2014**

(54) **LANTERN**

(71) Applicant: **Gold Coral International Limited,**
Kowloon (HK)

(72) Inventor: **Stephanie Wai Man Shiu,** New
Territories (HK)

(73) Assignee: **Gold Coral International Limited,**
Kowloon (HK)

(**) Term: **14 Years**

(21) Appl. No.: **29/446,468**

(22) Filed: **Feb. 24, 2013**

(30) **Foreign Application Priority Data**

Oct. 29, 2012 (HK) 1202181.8

(51) **LOC (10) Cl.** **26-02**

(52) **U.S. Cl.**
USPC **D26/41**

(58) **Field of Classification Search**
USPC D26/37, 38, 39, 40, 42, 41, 46, 50, 51;
362/157, 158, 183, 184, 194-196, 202,
362/201, 207, 208, 171-174
See application file for complete search history.

(56) **References Cited**

U.S. PATENT DOCUMENTS

D483,892 S * 12/2003 Poon D26/40
D532,134 S * 11/2006 Lo et al. D26/40

D535,419 S * 1/2007 Shiu D26/40
D541,961 S * 5/2007 Tarter et al. D26/40
D546,488 S * 7/2007 Poon D26/40
D547,891 S * 7/2007 Shiu D26/40
D548,381 S * 8/2007 Tremeer D26/40
D581,076 S * 11/2008 Brown et al. D26/40
D604,436 S * 11/2009 Poon D26/40
D611,630 S * 3/2010 Chan D26/40
D638,152 S * 5/2011 Leung D26/40
D643,560 S * 8/2011 Tompkin D26/40
D650,104 S * 12/2011 Brands et al. D26/41
D658,324 S * 4/2012 Reimann et al. D26/40

* cited by examiner

Primary Examiner — Ian Simmons

Assistant Examiner — Carissa C Fitts

(74) *Attorney, Agent, or Firm* — Joseph G. Swan, P.C.

(57) **CLAIM**

The ornamental design for a lantern, as shown and described.

DESCRIPTION

FIG. 1 is a perspective view of a lantern according to the present invention.

FIG. 2 is a front elevational view of the lantern.

FIG. 3 is a right side elevational view of the lantern.

FIG. 4 is a left side elevational view of the lantern.

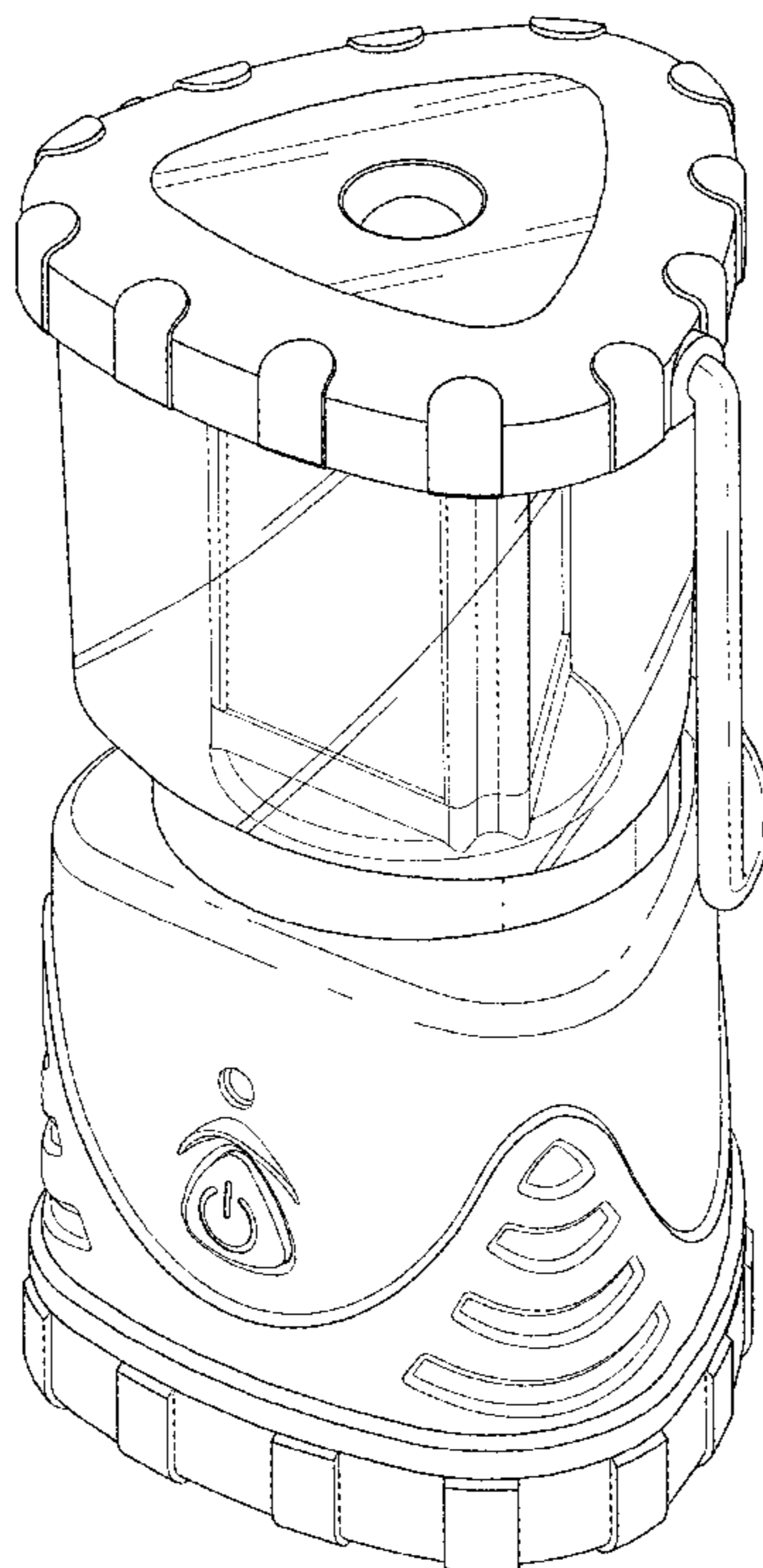
FIG. 5 is a rear elevational view of the lantern.

FIG. 6 is a top plan view of the lantern; and,

FIG. 7 is a bottom plan view of the lantern.

The broken line showing is for environmental purposes only and forms no part of the claimed design.

1 Claim, 6 Drawing Sheets



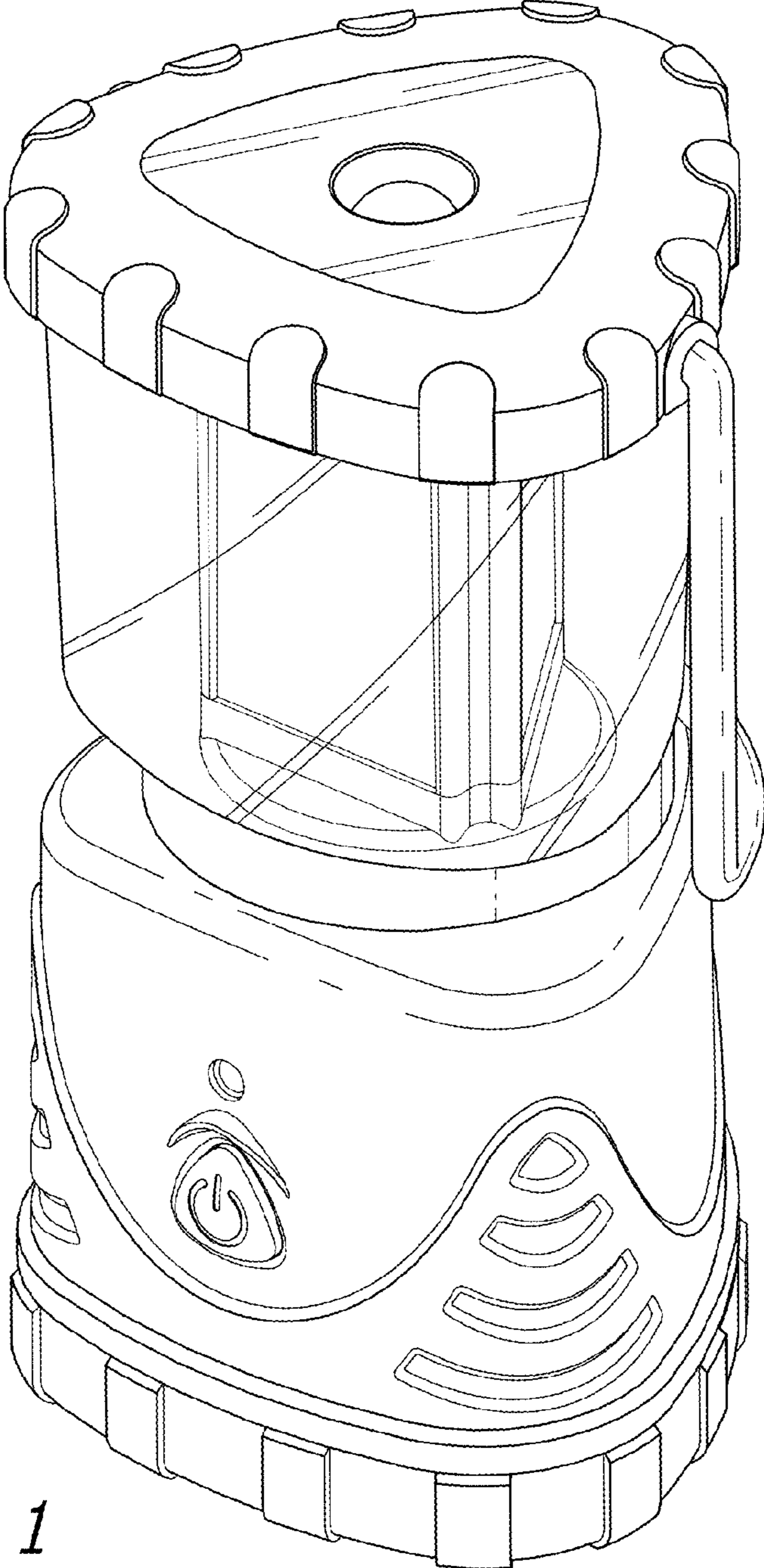


FIG. 1

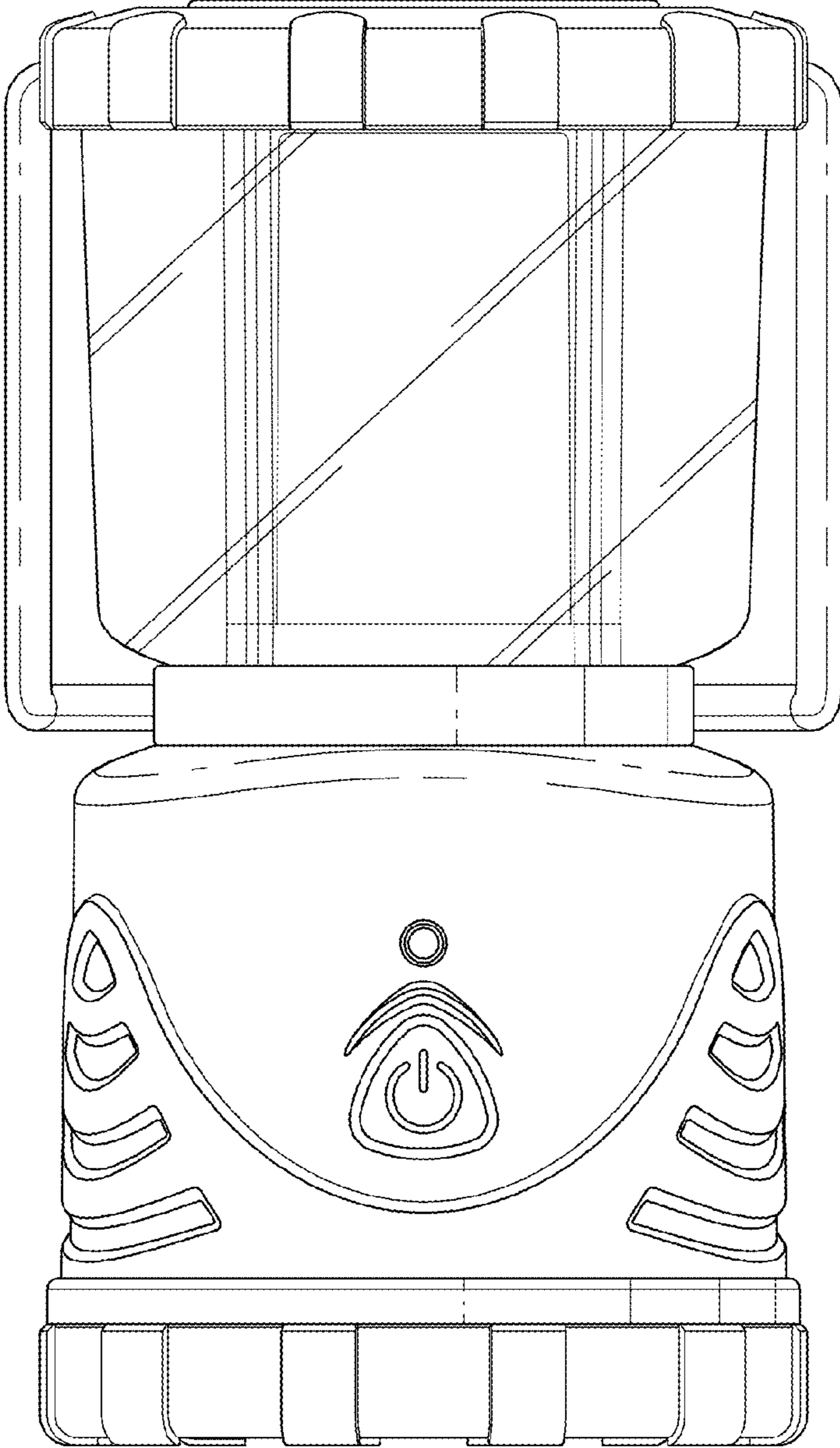


FIG. 2

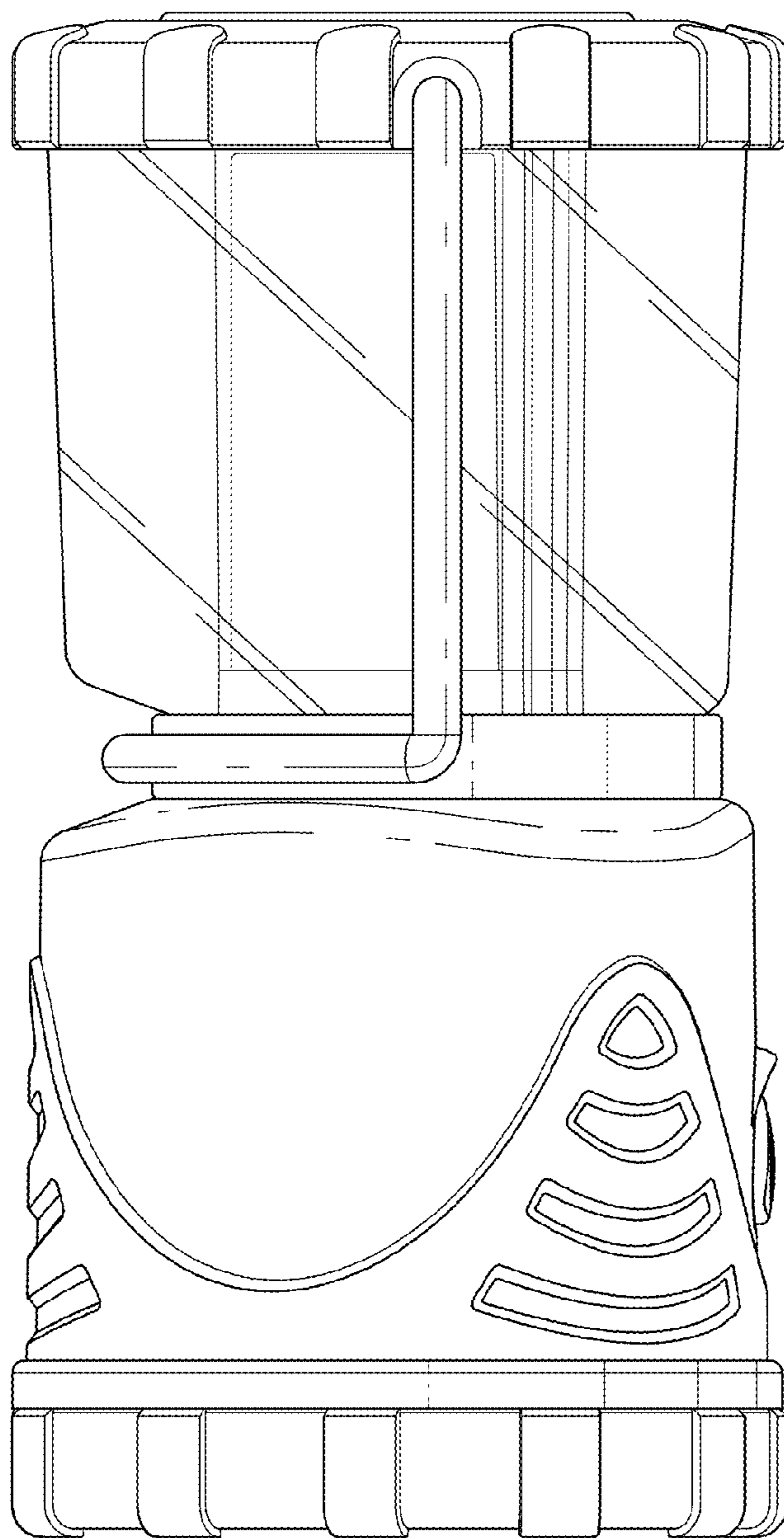


FIG. 3

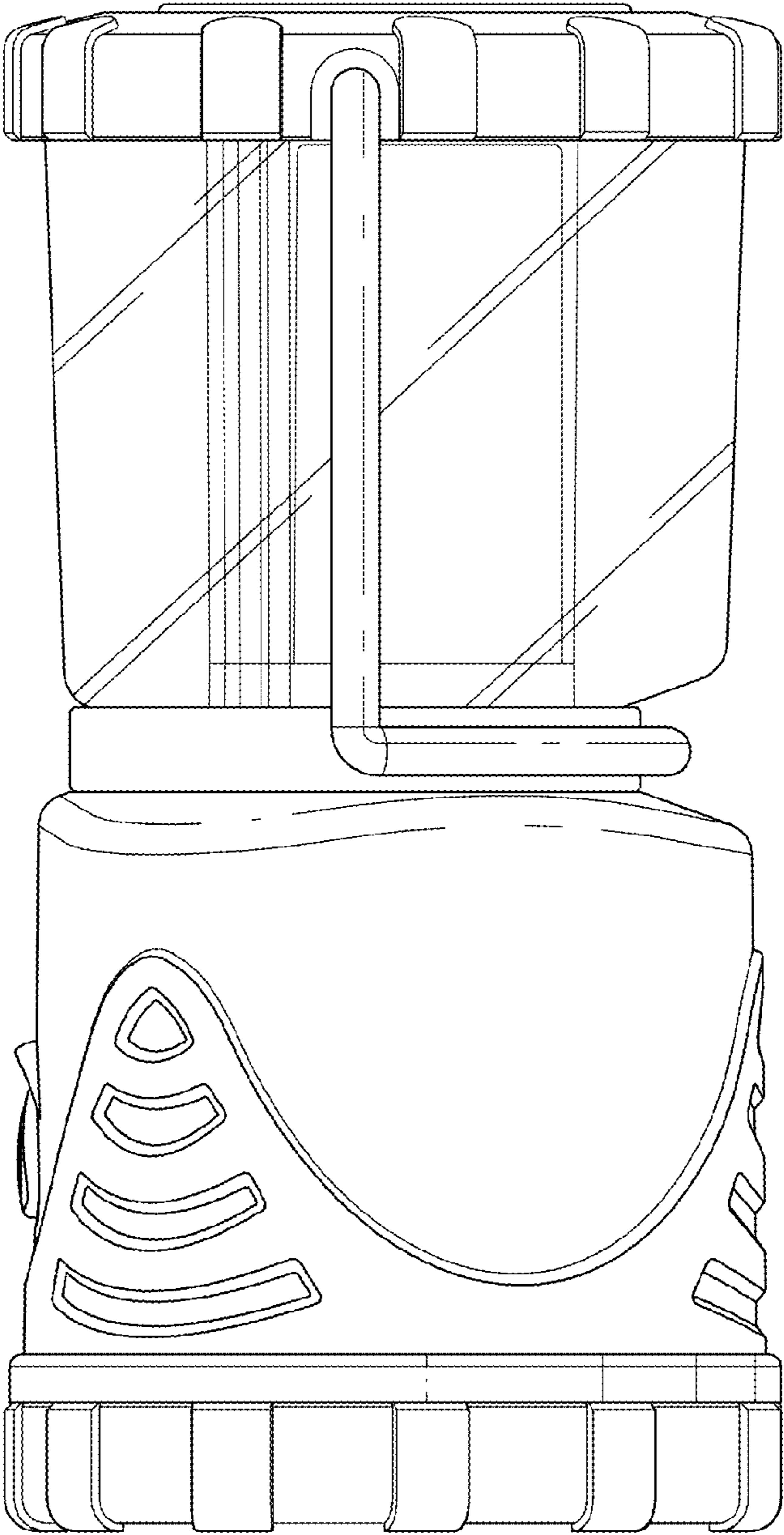


FIG. 4

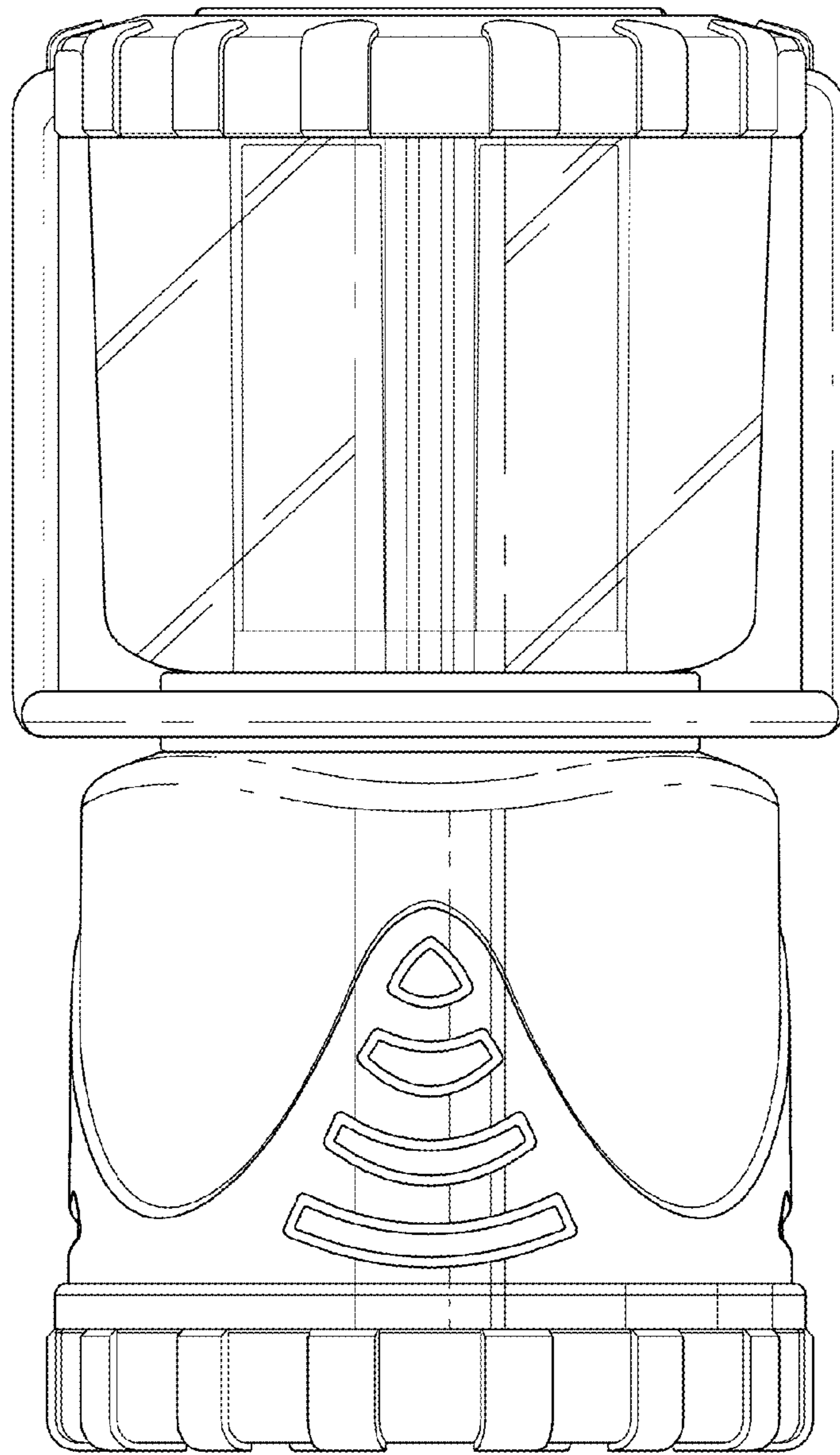


FIG. 5

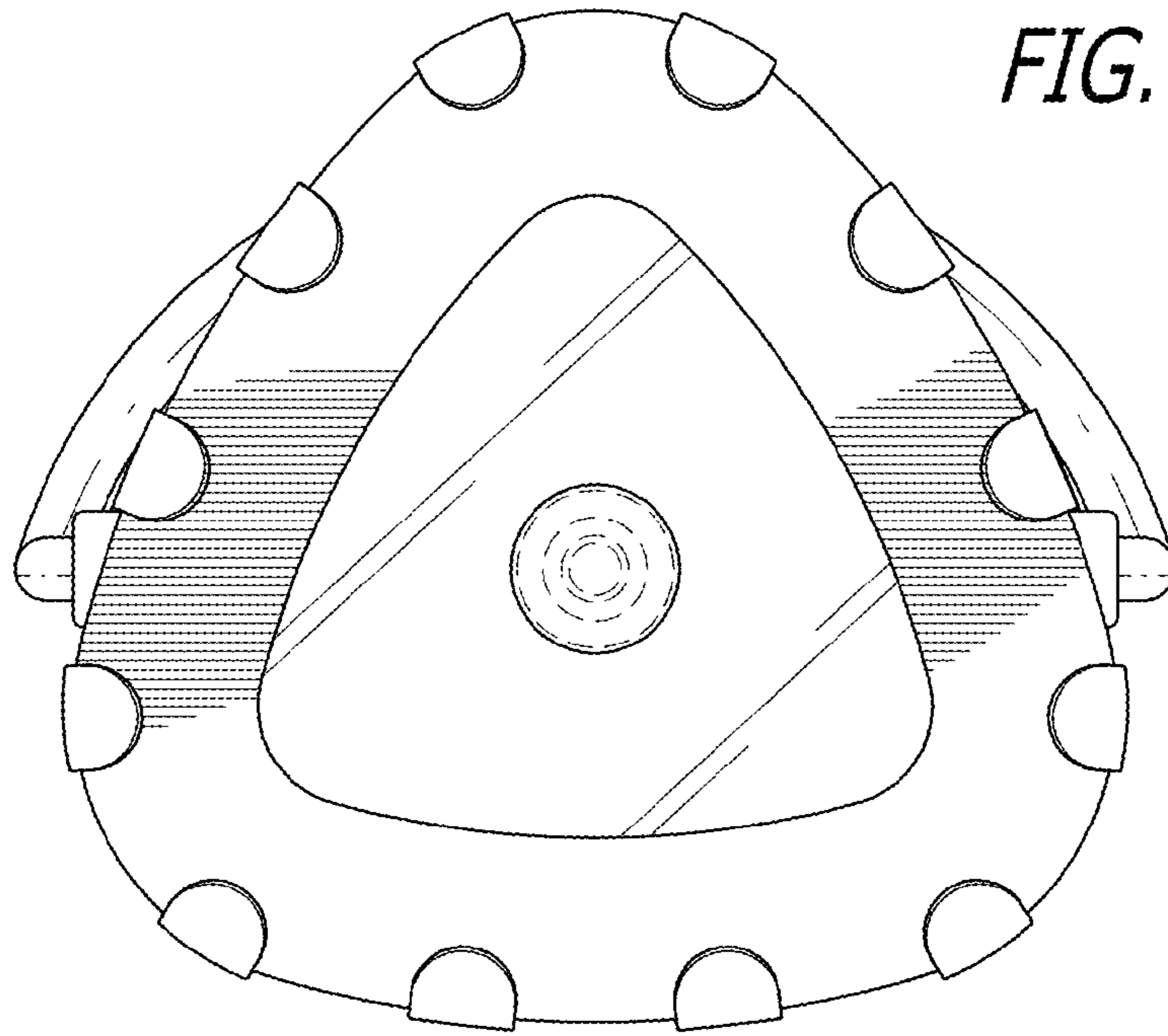


FIG. 6

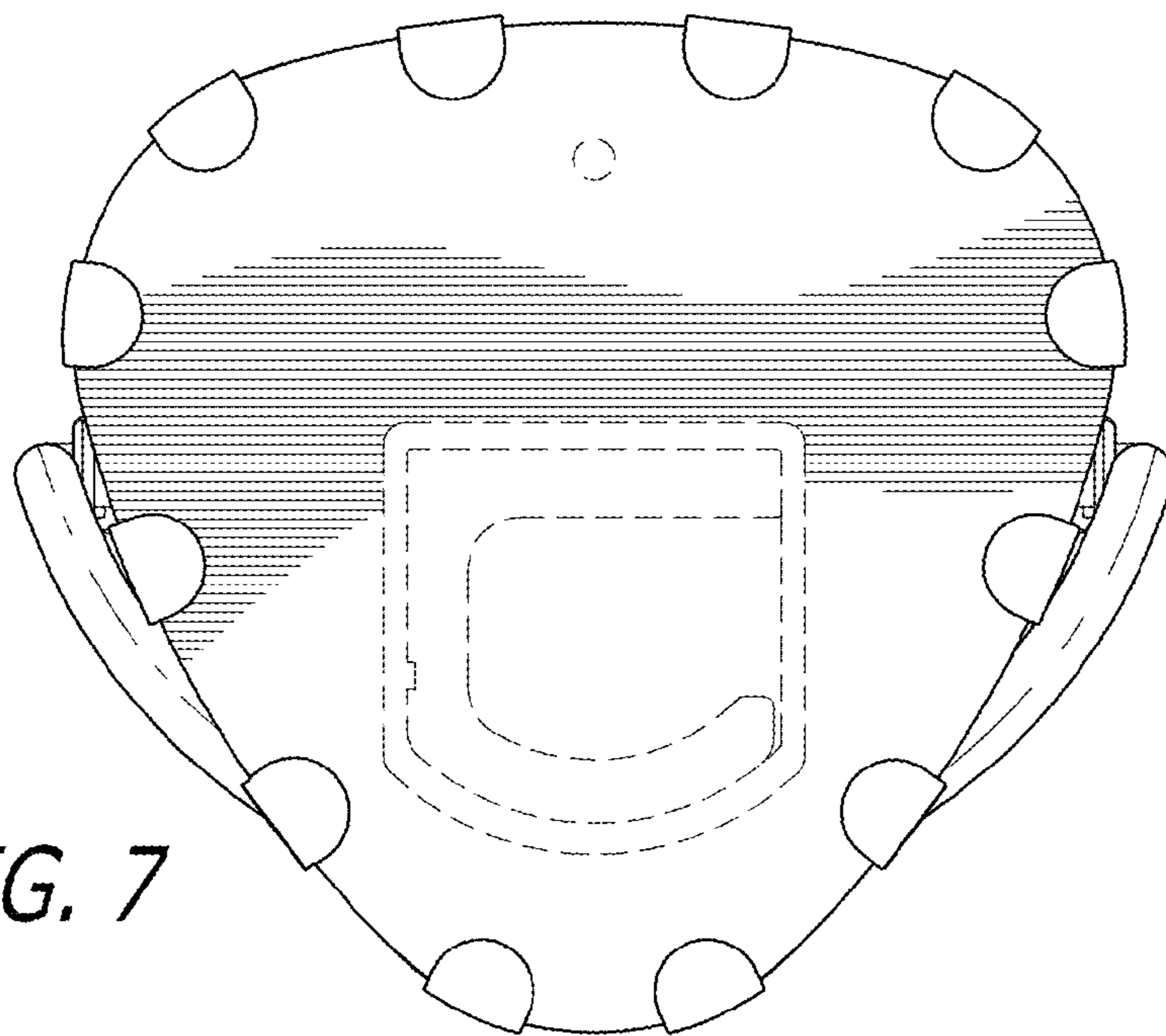


FIG. 7