



US00D707377S

(12) **United States Design Patent**
Kim

(10) **Patent No.:** **US D707,377 S**
(45) **Date of Patent:** **** Jun. 17, 2014**

(54) **TAILLIGHT FOR A VEHICLE**
(71) Applicant: **Bayerische Motoren Werke**
Aktiengesellschaft, Munich (DE)

D552,769 S * 10/2007 Leclercq D26/28
D553,268 S * 10/2007 Pfeiffer D26/28
D553,269 S * 10/2007 Pfeiffer et al. D26/28
D570,015 S * 5/2008 Hsu D26/28
D574,524 S * 8/2008 Tomatsu D26/28

(72) Inventor: **Richard Kim, Los Angeles, CA (US)**

* cited by examiner

(73) Assignee: **Bayerische Motoren Werke**
Aktiengesellschaft, Munich (DE)

Primary Examiner — Marcus Jackson
(74) *Attorney, Agent, or Firm* — Crowell & Moring LLP

(**) Term: **14 Years**

(21) Appl. No.: **29/455,789**

(57) **CLAIM**
The ornamental design for a taillight for a vehicle, as shown and described.

(22) Filed: **May 24, 2013**

(30) **Foreign Application Priority Data**

DESCRIPTION

Nov. 26, 2012 (DE) 40 2012 101 029

(51) **LOC (10) Cl.** **26-06**

(52) **U.S. Cl.**
USPC **D26/28**

(58) **Field of Classification Search**
USPC D26/28-36; 362/459-468, 475-478,
362/485-487
See application file for complete search history.

This application contains subject matter related to the following co-pending U.S. design patent application: Application Ser. No. 29/455,787, filed herewith and entitled "Vehicle, Toy, and/or Replicas Thereof".

FIG. 1 is a front view of a taillight for a vehicle according to the design;
FIG. 2 is a left, front perspective view thereof;
FIG. 3 is a right, front perspective view thereof;
FIG. 4 is a left side view thereof;
FIG. 5 is a right side view thereof;
FIG. 6 is a top view thereof;
FIG. 7 is a bottom view thereof; and,
FIG. 8 is a rear view thereof.

(56) **References Cited**

U.S. PATENT DOCUMENTS

D541,445 S * 4/2007 Lin D26/28
D549,363 S * 8/2007 Pfeiffer D26/28

1 Claim, 8 Drawing Sheets



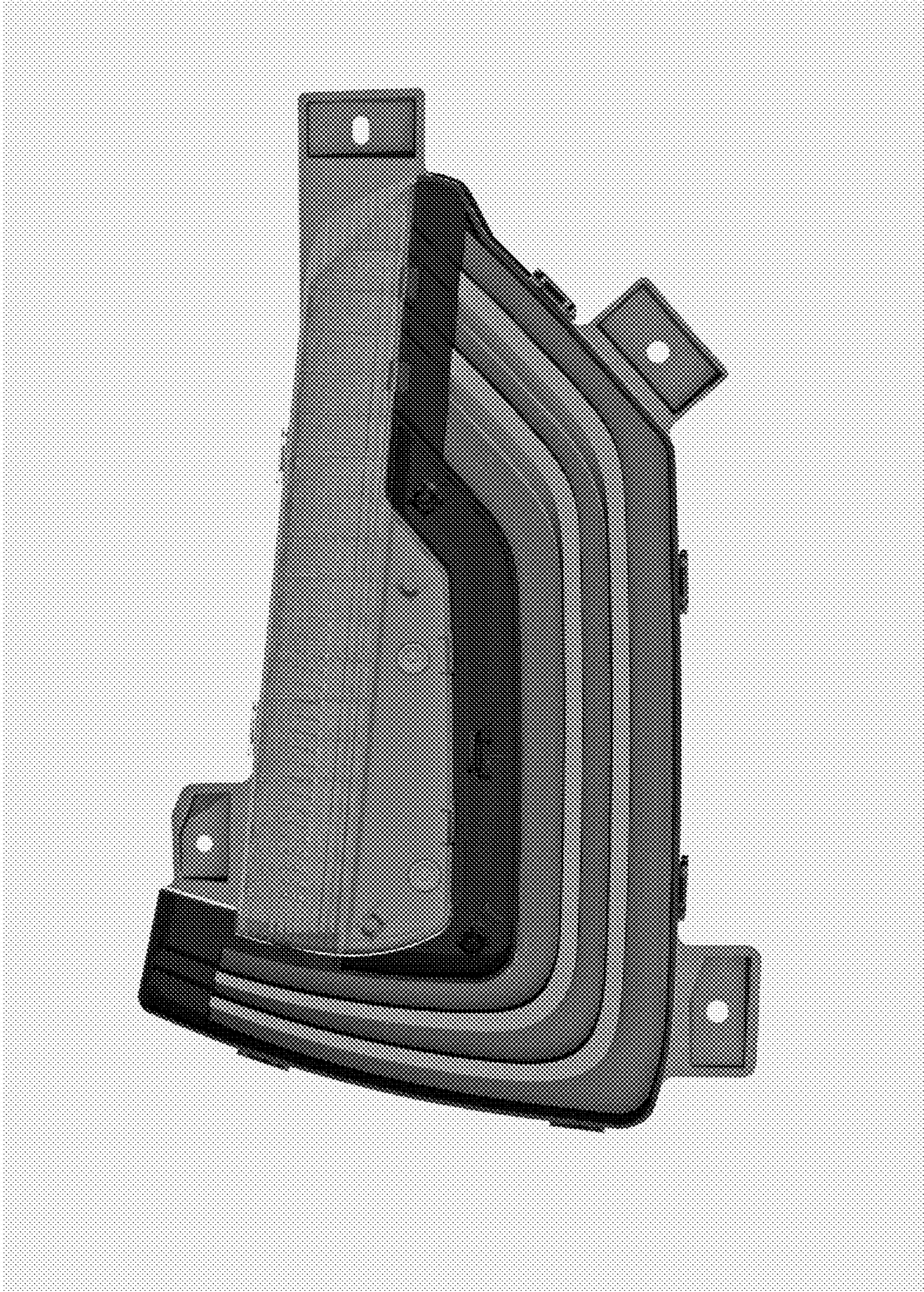


Fig. 1



Fig. 2



Fig. 3



Fig. 4



Fig. 5



Fig. 6



Fig. 7



Fig. 8