



US00D707376S

(12) **United States Design Patent**
Cheung

(10) **Patent No.:** **US D707,376 S**
(45) **Date of Patent:** **** Jun. 17, 2014**

(54) **BICYCLE LIGHT**

(56) **References Cited**

(71) Applicant: **FAP Industrial Parts Company Limited**, New Territories (HK)

U.S. PATENT DOCUMENTS

(72) Inventor: **Yuk Woon Cheung**, New Territories (HK)

D540,966 S *	4/2007	Ueda et al.	D26/28
D541,447 S *	4/2007	Ueda et al.	D26/28
D560,833 S *	1/2008	Ueda et al.	D26/28
D560,834 S *	1/2008	Nagano	D26/28
D629,539 S *	12/2010	Rettenbacher et al.	D26/28

(73) Assignee: **FAP Industrial Parts Company Limited**, Hong Kong (HK)

* cited by examiner

(**) Term: **14 Years**

Primary Examiner — Marcus Jackson

(21) Appl. No.: **29/454,686**

(74) *Attorney, Agent, or Firm* — Howard C. Miskin, Esq.; Gloria Tsui-Yip, Esq.; Miskin & Tsui-Yip LLP

(22) Filed: **May 13, 2013**

(57) **CLAIM**

The ornamental design for a bicycle light, as shown and described.

(30) **Foreign Application Priority Data**

DESCRIPTION

Nov. 13, 2012 (HK) 1202265

(51) **LOC (10) Cl.** **26-06**

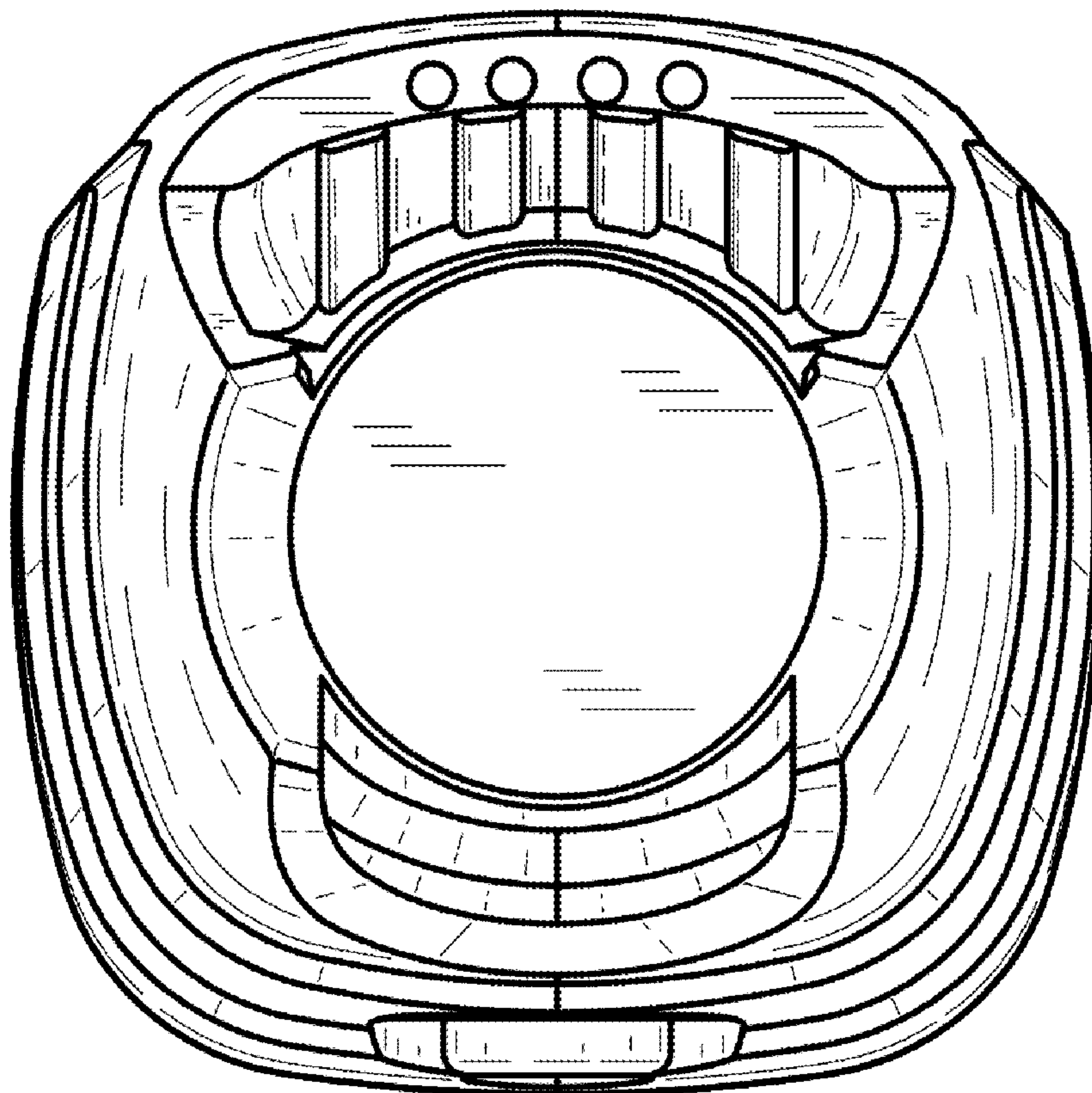
(52) **U.S. Cl.**
USPC **D26/28**

(58) **Field of Classification Search**
USPC D26/28-36; 362/459-468, 475-478,
362/485-487

FIG. 1 is a front elevational view of my new design;
FIG. 2 is a top plan view thereof;
FIG. 3 is a rear elevational view thereof;
FIG. 4 is a bottom plan view thereof;
FIG. 5 is a right side view thereof;
FIG. 6 is a left side view thereof; and,
FIG. 7 is a perspective view thereof.

See application file for complete search history.

1 Claim, 4 Drawing Sheets



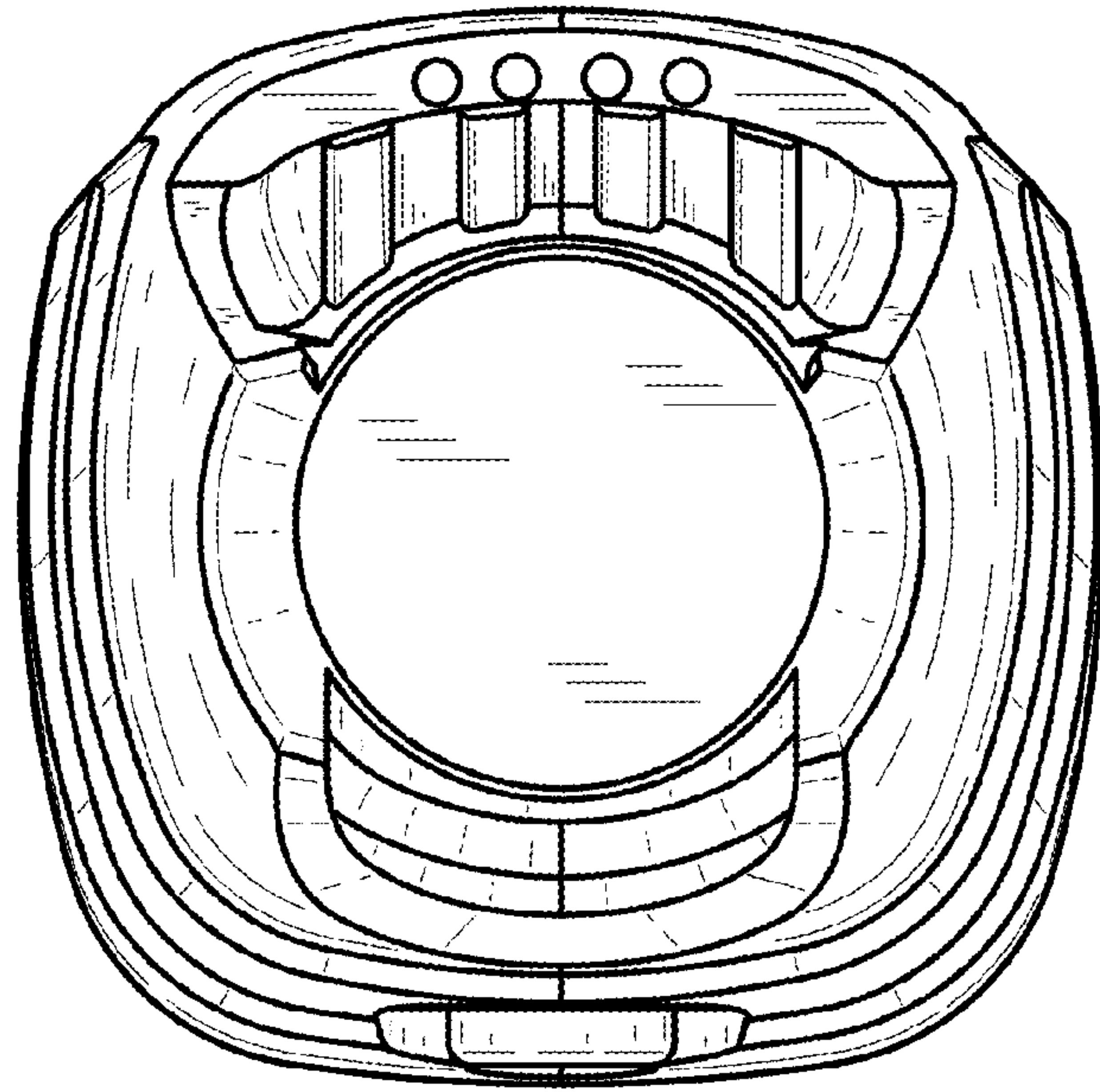


Fig.1

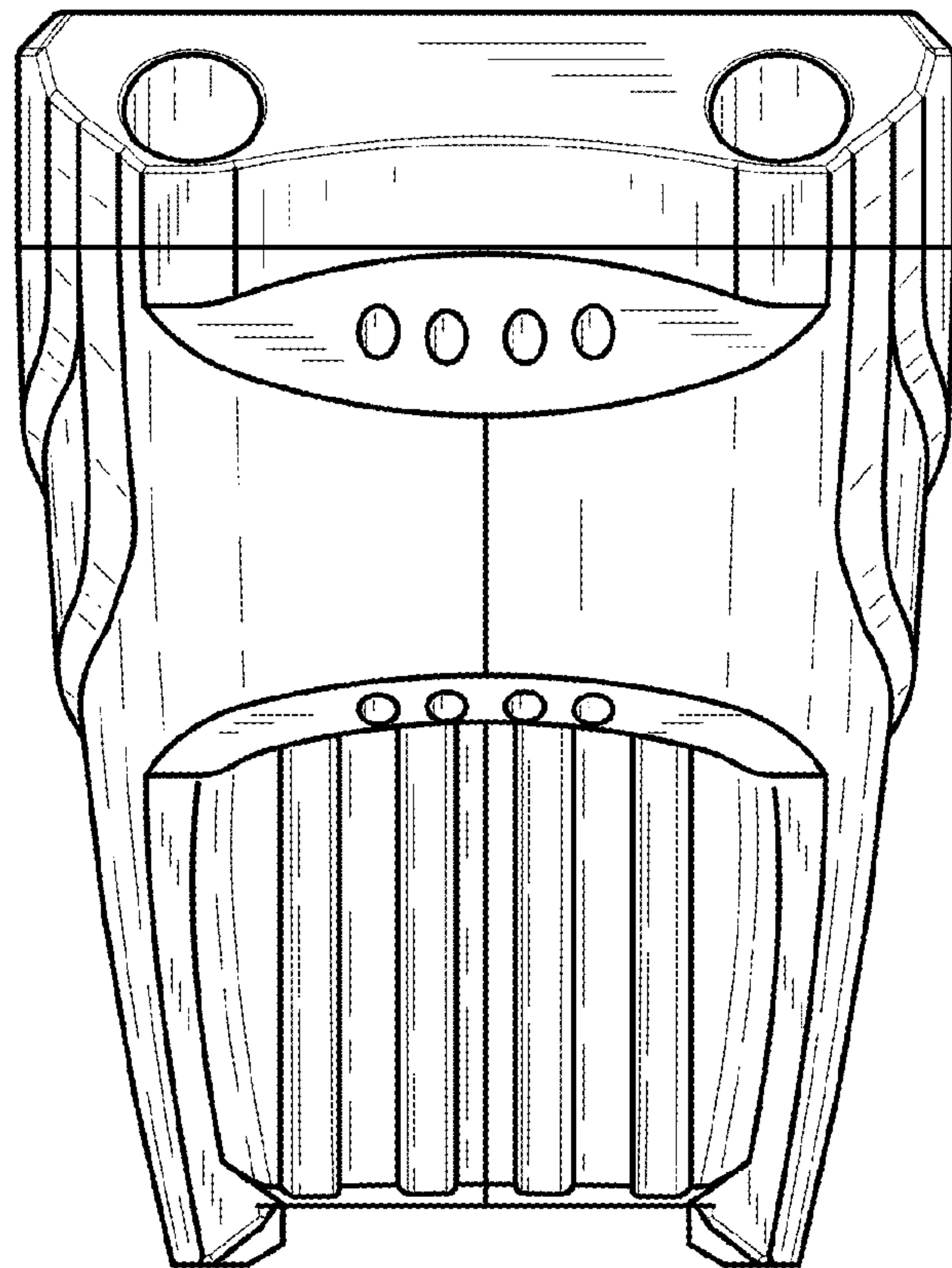


Fig.2

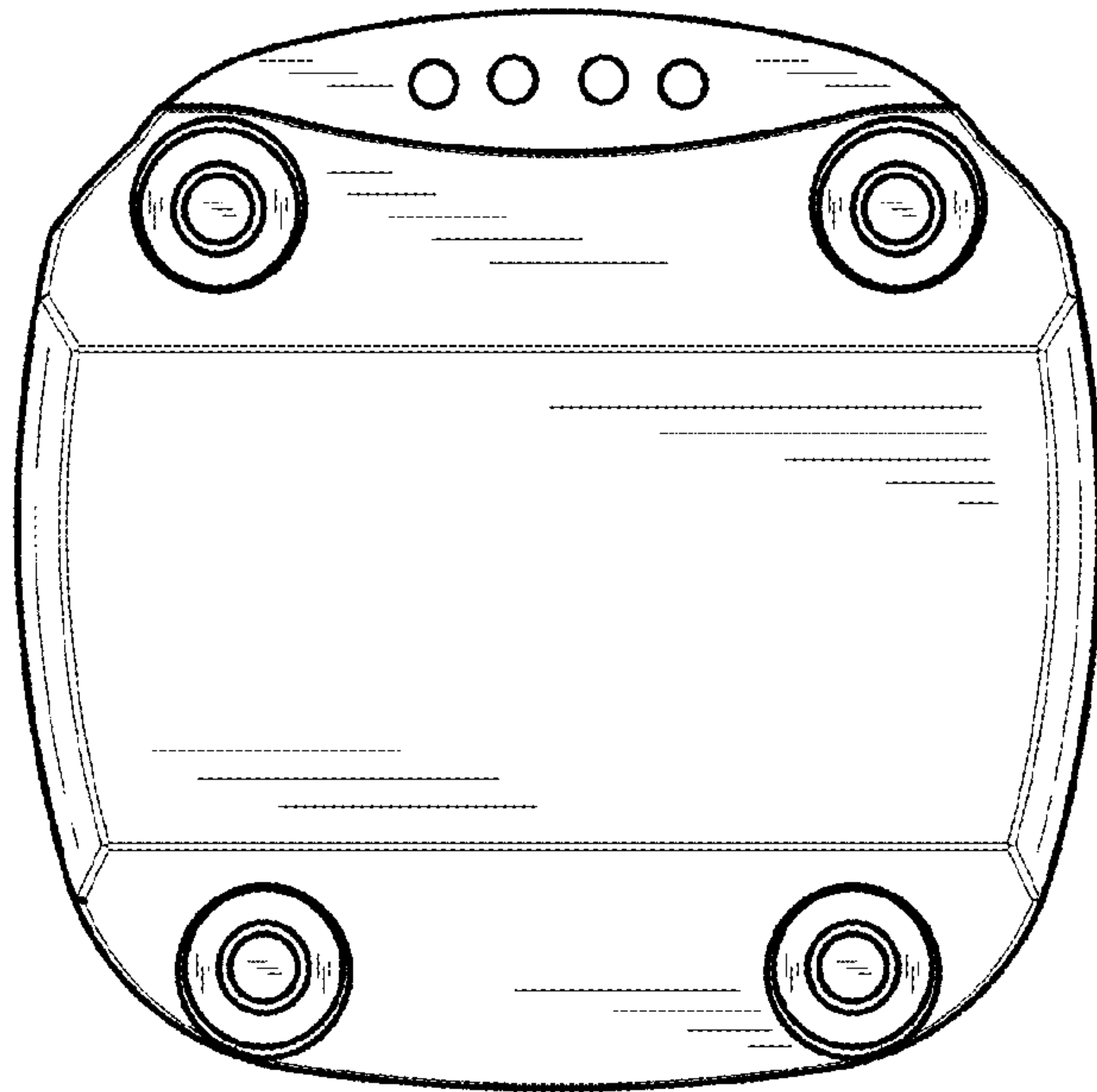


Fig.3

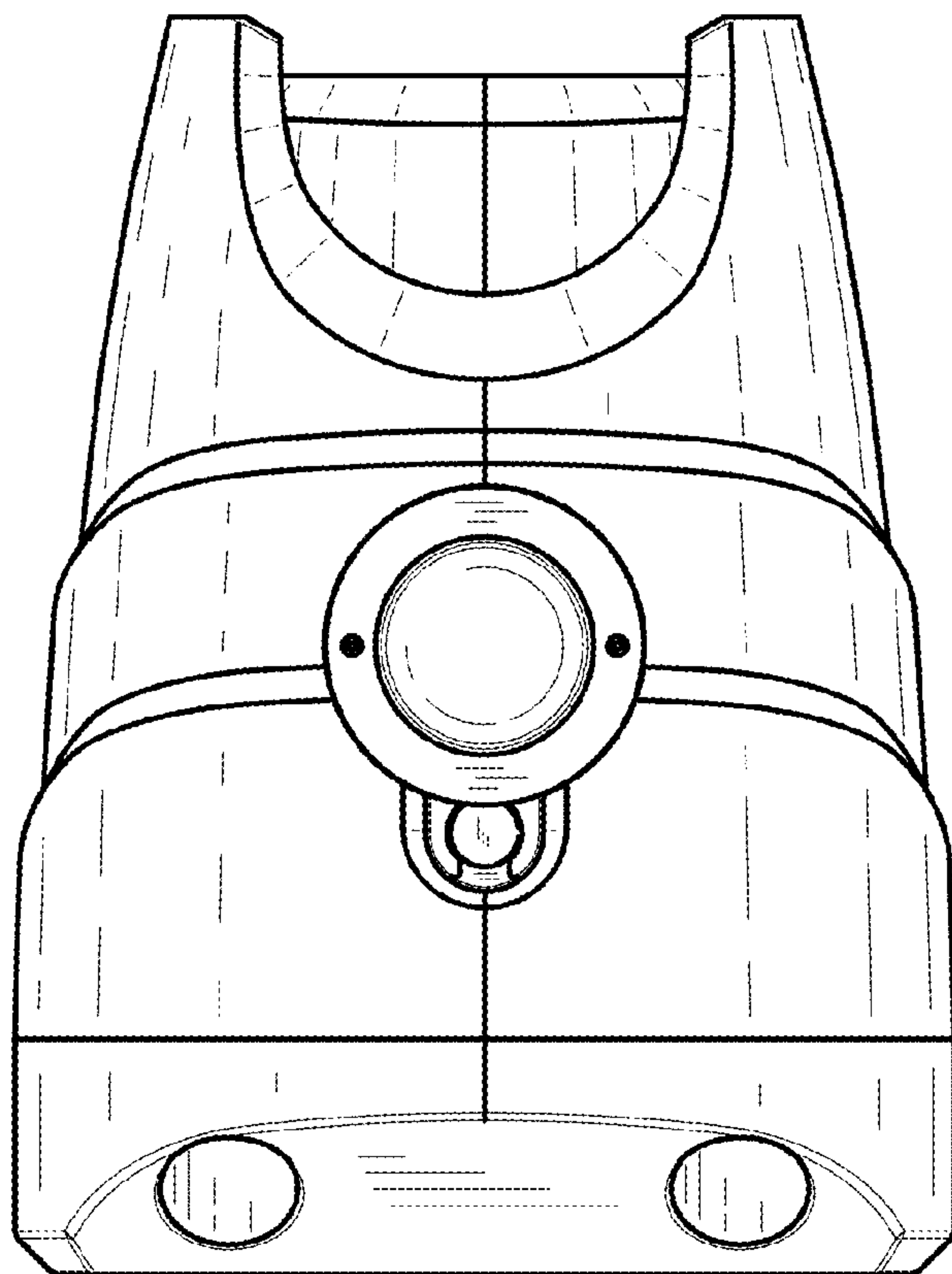


Fig.4

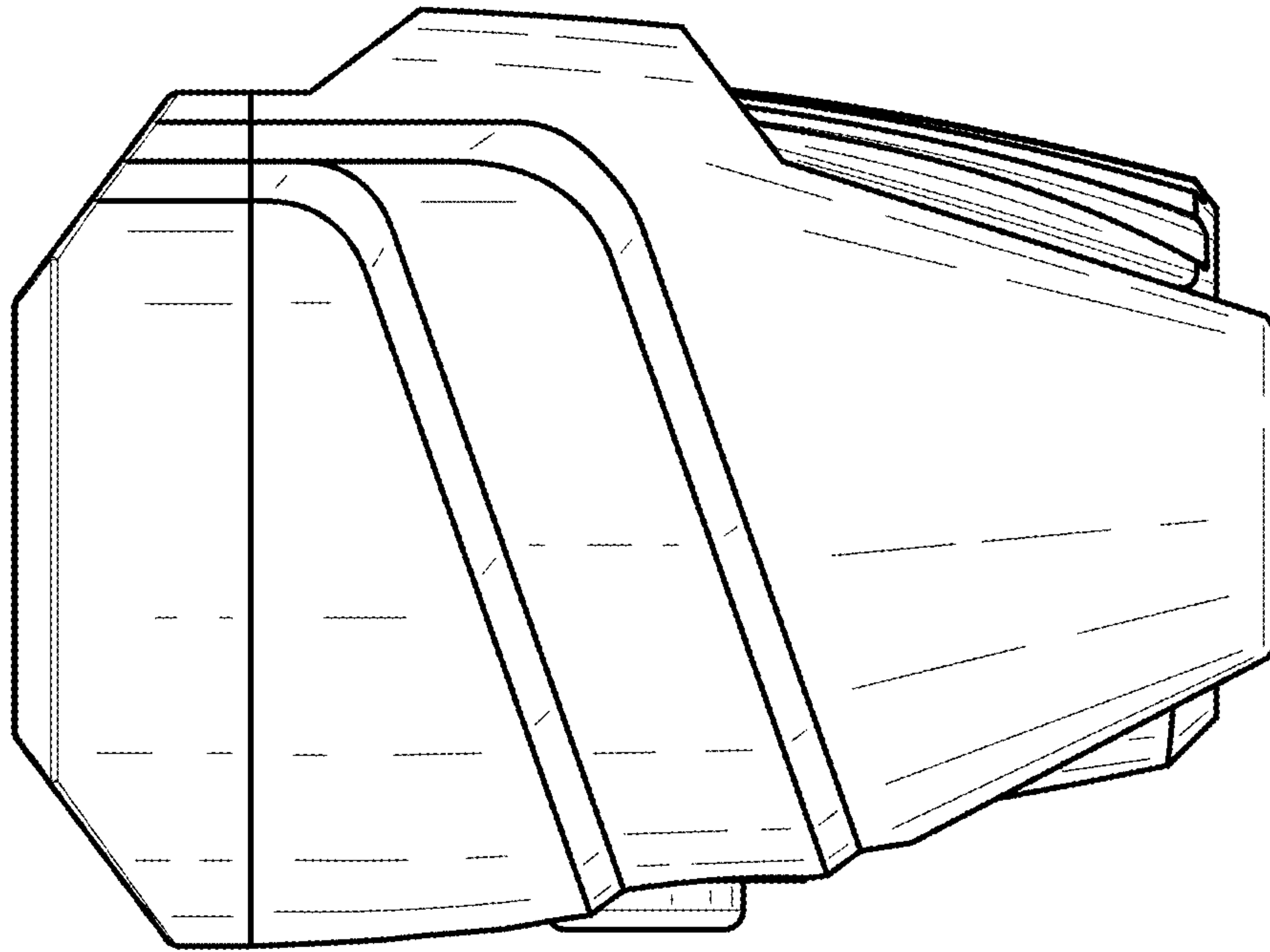


Fig.5

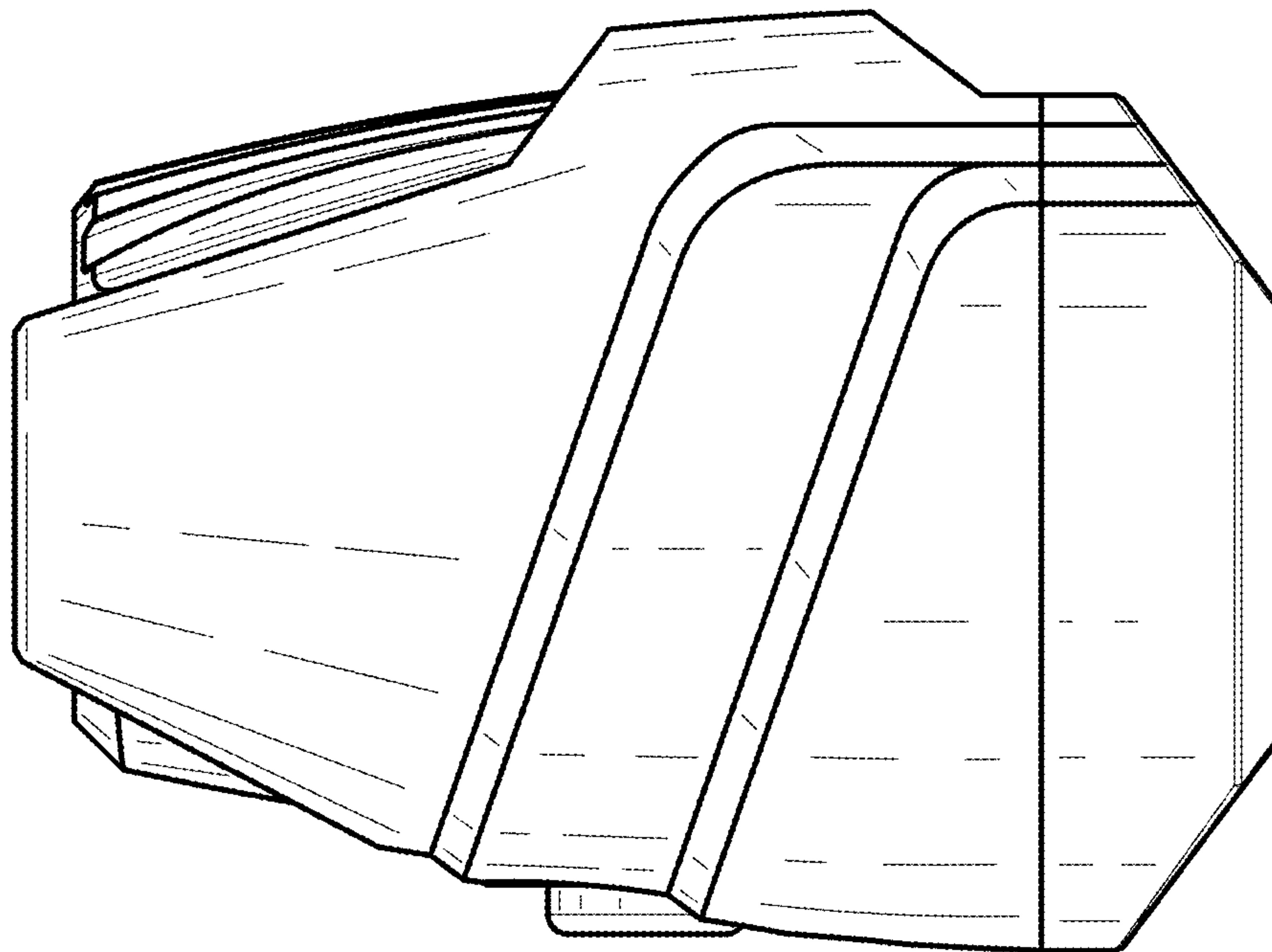


Fig.6

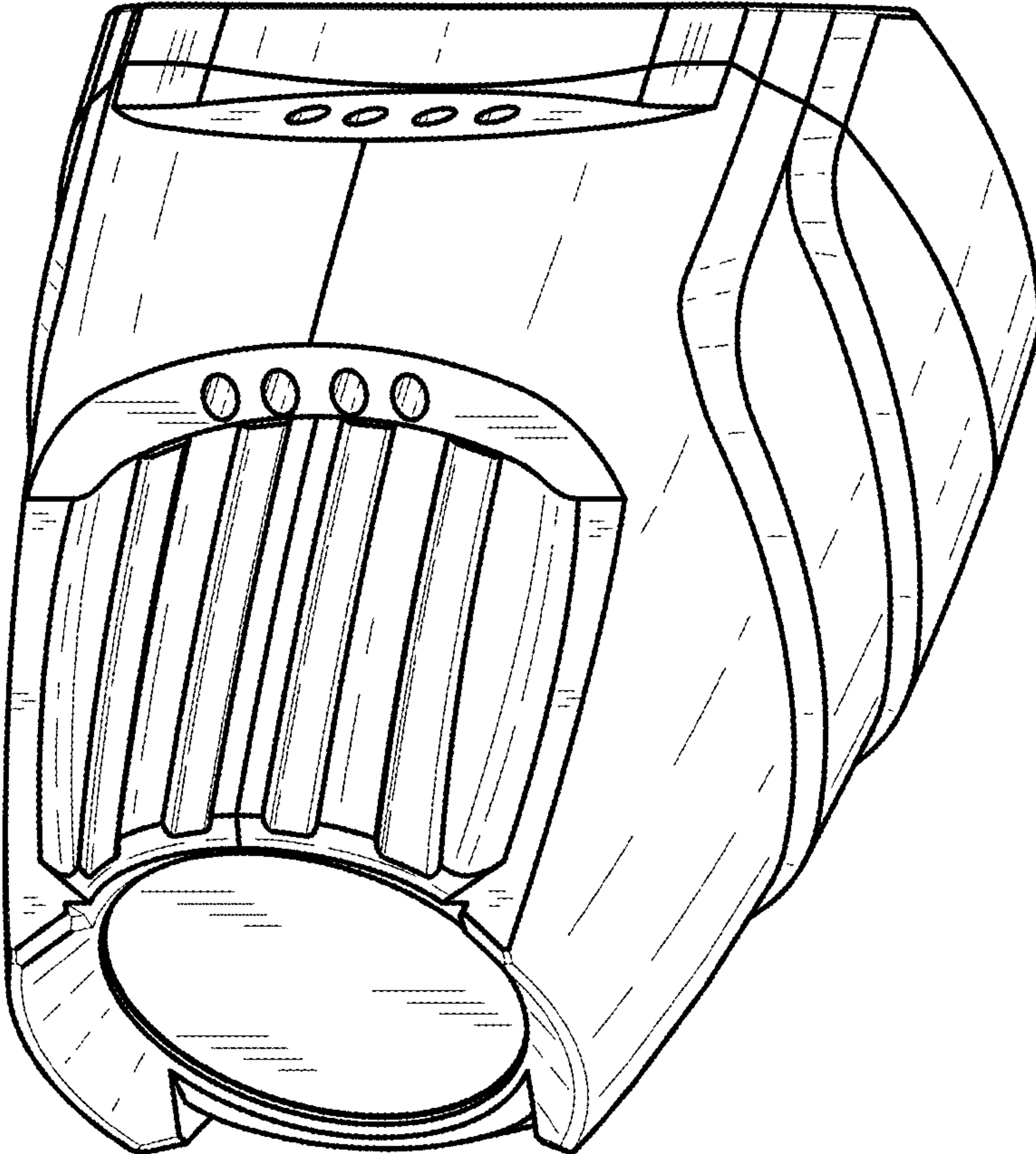


Fig.7