



US00D707373S

(12) **United States Design Patent**  
**Nugent**

(10) **Patent No.:** **US D707,373 S**  
(45) **Date of Patent:** **\*\* Jun. 17, 2014**

- (54) **CANDLE HOLDER**
- (75) Inventor: **Peggy Nugent**, Houston, TX (US)
- (73) Assignee: **MVP Group International, Inc.**,  
Charleston, SC (US)
- (\*\*) Term: **14 Years**
- (21) Appl. No.: **29/401,332**
- (22) Filed: **Sep. 9, 2011**
- (51) **LOC (10) Cl.** ..... **26-01**
- (52) **U.S. Cl.**  
USPC ..... **D26/22**
- (58) **Field of Classification Search**  
USPC ..... D26/6-23; 431/289, 291, 292, 295,  
431/350; D7/598, 6, 7, 8, 9, 10, 11, 13, 14,  
D7/15, 396.2, 526-528, 530-532, 540,  
D7/565, 584, 900, 509, 523, 507, 500, 510,  
D7/524; D11/143, 164, 155, 156; D9/500,  
D9/503-505, 432, 516, 370, 399, 373, 502,  
D9/519, 549, 555, 776, 778; D34/1  
See application file for complete search history.

- D443,083 S 5/2001 Dearth
- D447,256 S 8/2001 Ratia
- D531,452 S \* 11/2006 Toth ..... D7/523
- D544,613 S 6/2007 Timmann et al.
- D575,987 S \* 9/2008 Williams ..... D7/523
- D582,534 S \* 12/2008 Conway et al. .... D23/366
- 7,614,876 B1 11/2009 Ward-Kubik
- D613,898 S 4/2010 Michaels et al.
- D625,851 S 10/2010 Furner et al.
- D639,205 S \* 6/2011 Harshman ..... D11/146
- 2006/0172241 A1 8/2006 Hohertz
- 2007/0134606 A1 6/2007 Lin
- 2009/0049743 A1 \* 2/2009 Lewis, Jr. .... 47/41.01
- 2009/0170046 A1 7/2009 Wooten
- 2011/0014580 A1 1/2011 Theresa et al.

\* cited by examiner

*Primary Examiner* — T. Chase Nelson  
*Assistant Examiner* — Ania Aman

(74) *Attorney, Agent, or Firm* — Roeder & Broder LLP;  
James P. Broder

(57) **CLAIM**

The ornamental design for a candle holder, as shown and described.

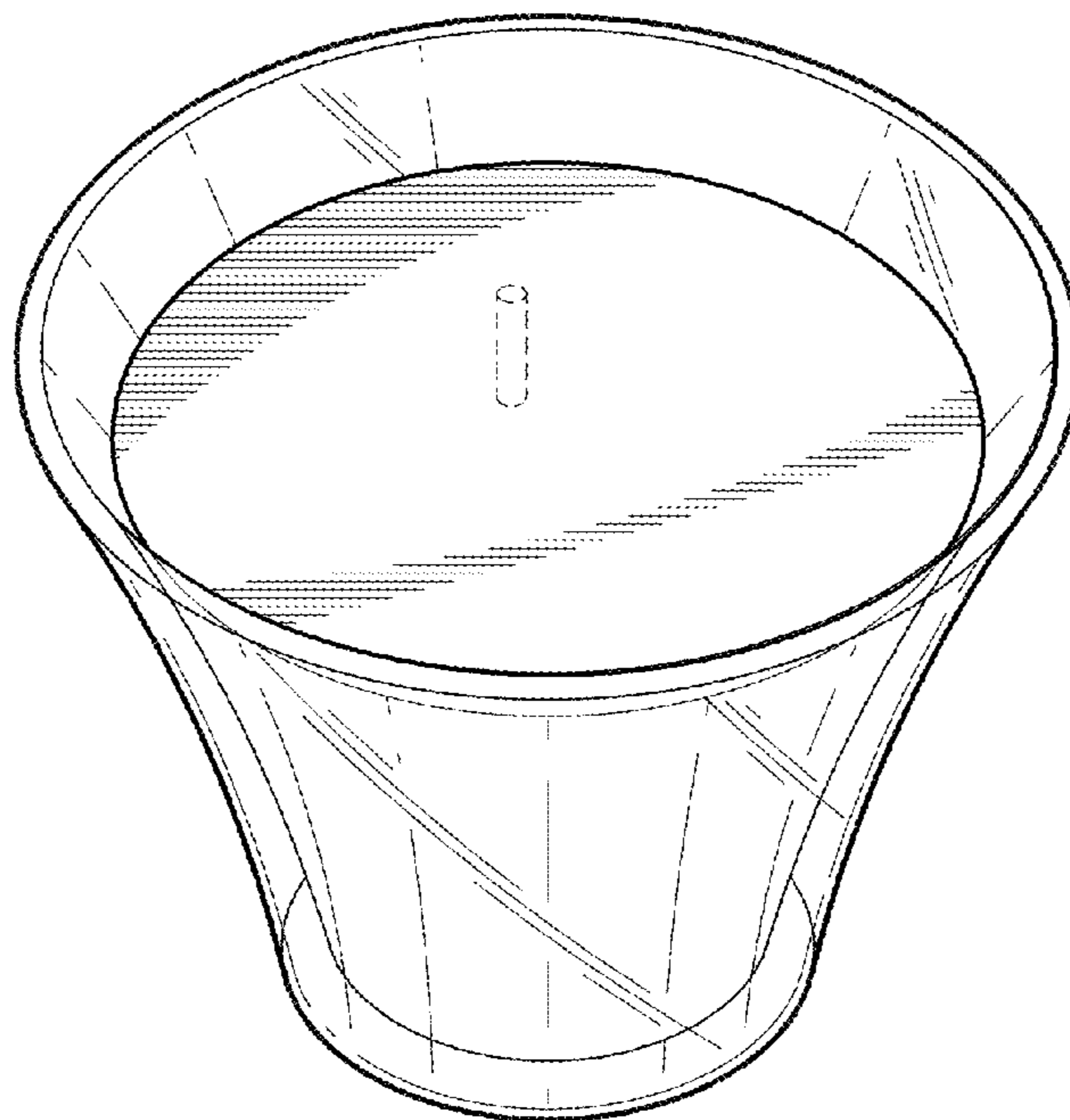
**DESCRIPTION**

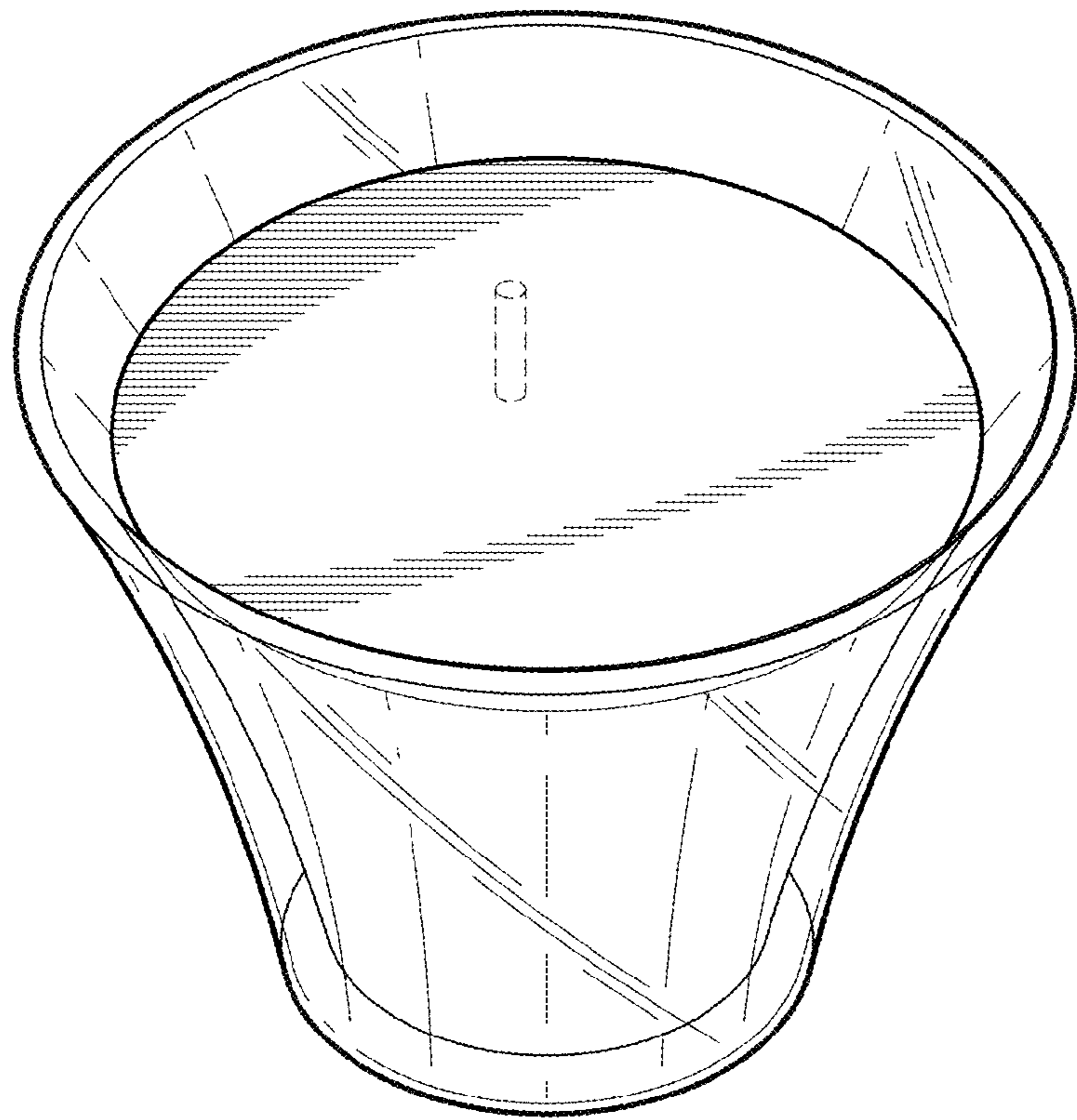
FIG. 1 is a perspective view of a candle holder showing my new design;  
FIG. 2 is front elevational view thereof, rear and side views being identical thereto;  
FIG. 3 is a top plan view thereof; and,  
FIG. 4 is a bottom plan view thereof.  
The broken lines shown in the drawings are included for the purpose of illustrating portions of the article that form no part of the claimed design.

**1 Claim, 2 Drawing Sheets**

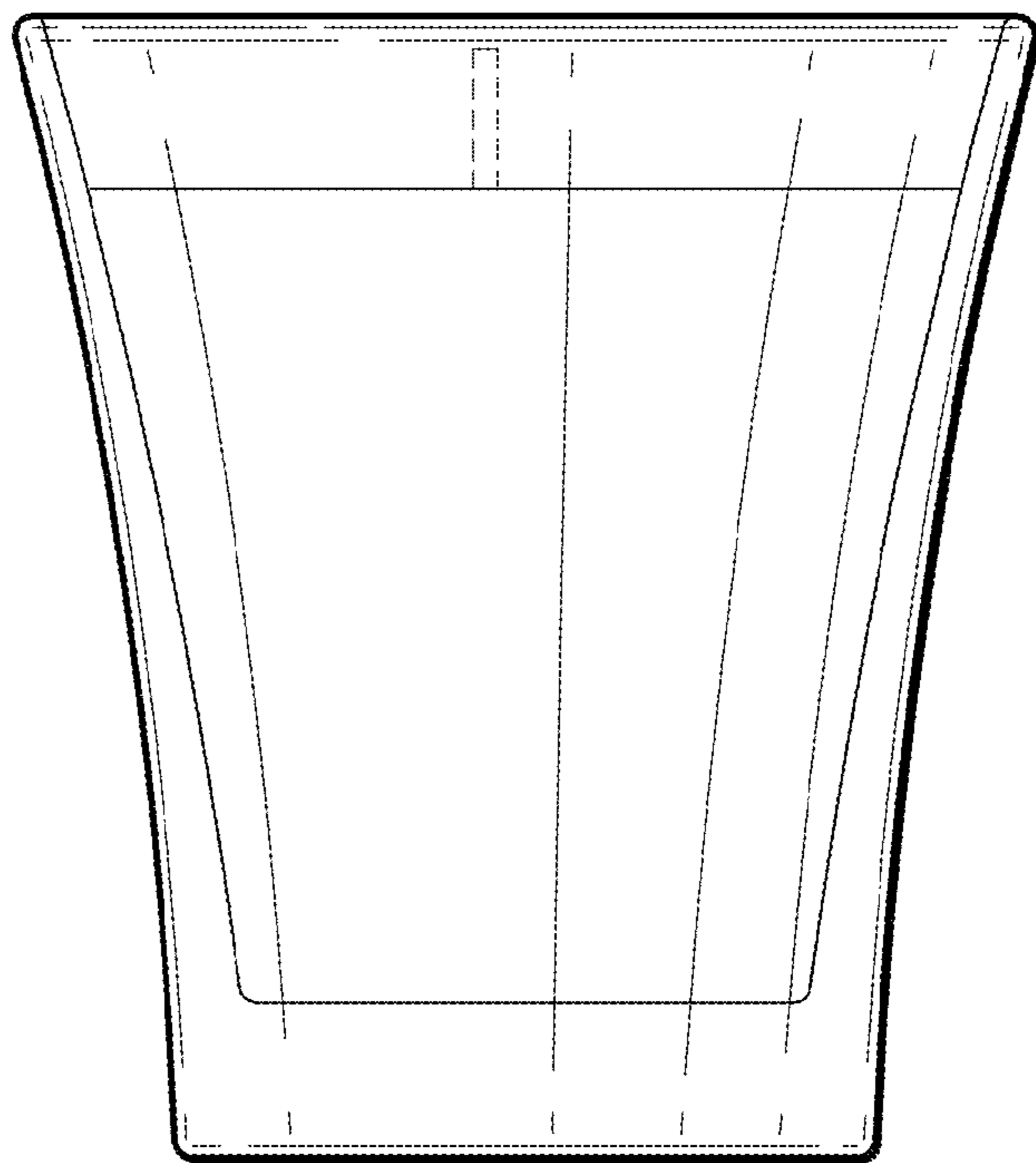
(56) **References Cited**  
U.S. PATENT DOCUMENTS

- 2,012,113 A \* 8/1935 Thompson ..... 215/363
- D221,135 S \* 7/1971 Schorer ..... D7/531
- D249,998 S 10/1978 Gobleck, Jr.
- 4,416,370 A \* 11/1983 Beall ..... 206/217
- D291,659 S \* 9/1987 Powell ..... D9/414
- D357,085 S 4/1995 Ratia
- D358,115 S \* 5/1995 Rahr ..... D11/144
- D371,213 S 6/1996 Hardy et al.
- D442,301 S 5/2001 Klett et al.

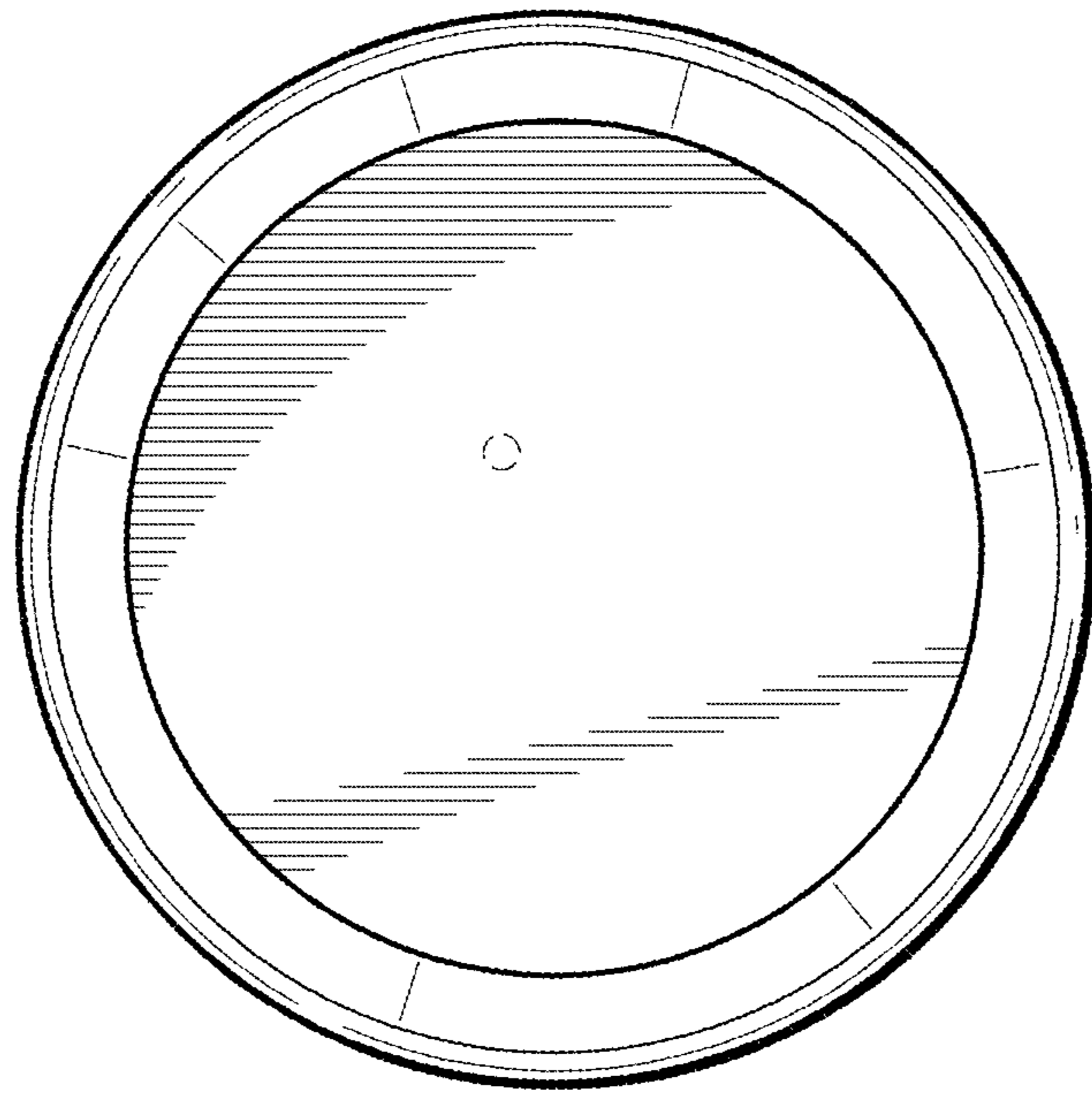




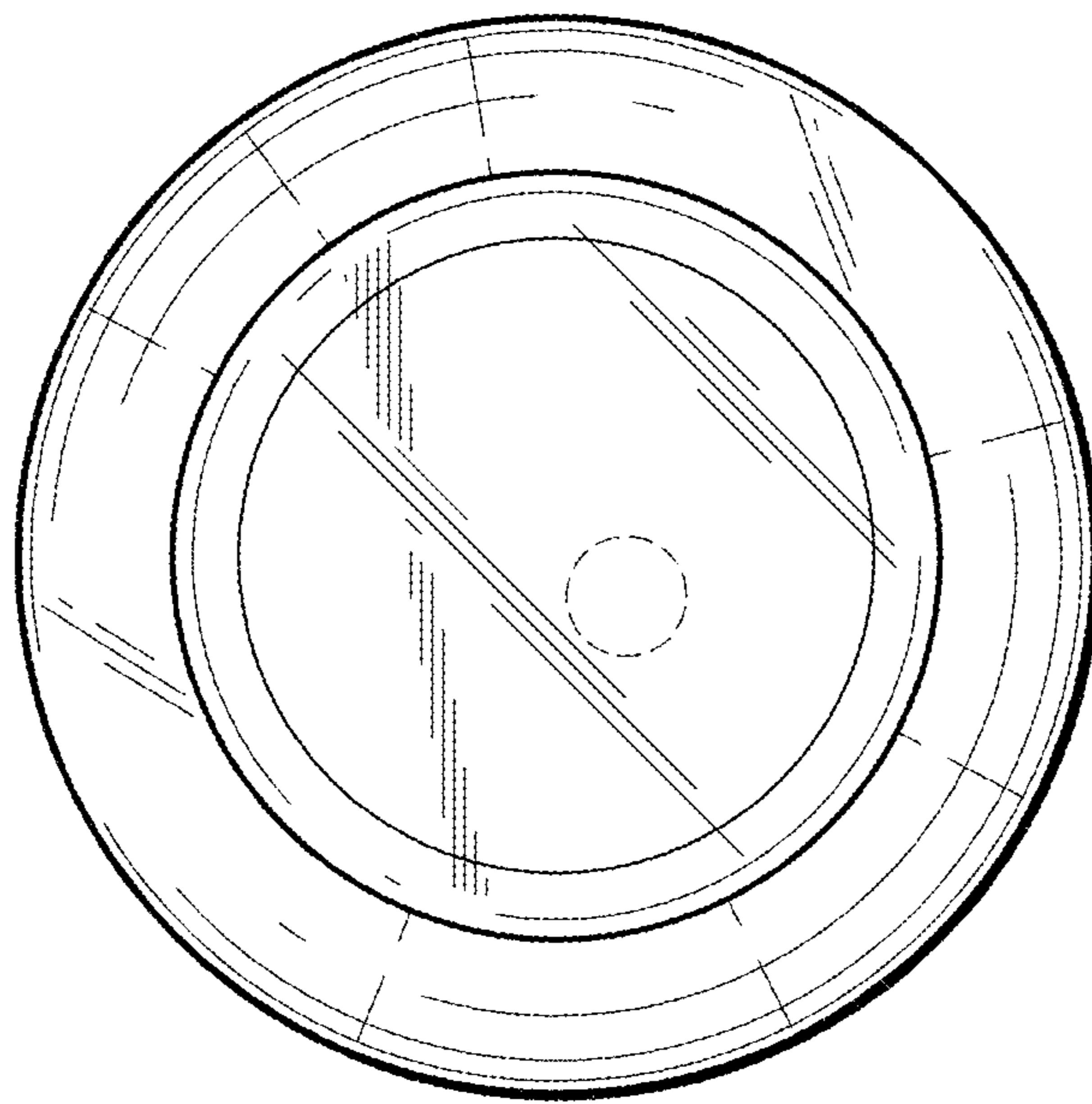
**FIG. 1**



**FIG. 2**



**FIG. 3**



**FIG. 4**