



US00D707369S

(12) **United States Design Patent**
Alexander

(10) **Patent No.:** **US D707,369 S**
(45) **Date of Patent:** **** Jun. 17, 2014**

- (54) **CONVERTIBLE ADJUSTABLE ZIPPERED SCREEN APPARATUS**
- (71) Applicant: **Kathleen A. Alexander**, Selinsgrove, PA (US)
- (72) Inventor: **Kathleen A. Alexander**, Selinsgrove, PA (US)
- (**) Term: **14 Years**
- (21) Appl. No.: **29/442,134**
- (22) Filed: **Dec. 14, 2012**
- (51) **LOC (10) Cl.** **25-02**
- (52) **U.S. Cl.**
USPC **D25/48.8**
- (58) **Field of Classification Search**
USPC D25/48.8; 160/403, DIG. 8; 52/202, 52/203, 273, 283
See application file for complete search history.

Primary Examiner — Doris Clark
(74) *Attorney, Agent, or Firm* — Sonya C. Harris; Invention Services

(57) **CLAIM**
The ornamental design for the convertible adjustable zippered screen apparatus, as shown and described.

DESCRIPTION

FIG. 1 is a front elevational view of my design, shown with the screen in a partially unzipped position;
FIG. 2 is a top left perspective view of my design;
FIG. 3 is a right side elevational view of my design, the left side being a mirror image thereof;
FIG. 4 is a bottom plan view of my design;
FIG. 5 is a top plan view of my design;
FIG. 6 is a front elevational view of my design;
FIG. 7 is an enlarged fragmented front elevational view of the fastening mechanism illustrated at the upper left side of FIG. 6;
FIG. 8 is an enlarged fragmented front elevational view of the fastening mechanism, illustrated at the lower left side of FIG. 6, with the fastening mechanism in operation; and,
FIG. 9 is an enlarged fragmented front elevational view of the fastening mechanism illustrated at the upper center of FIG. 6.

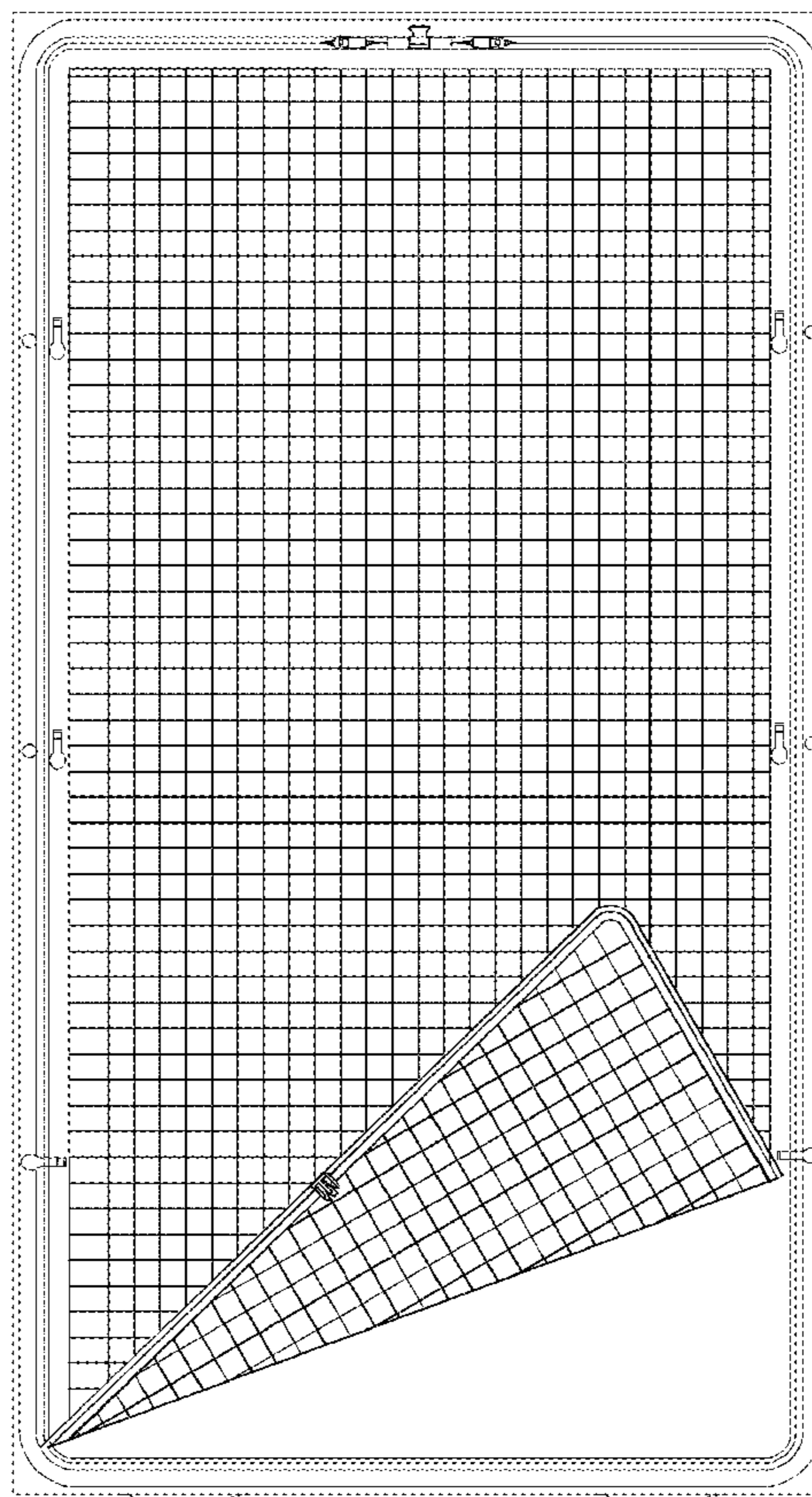
(56) **References Cited**

U.S. PATENT DOCUMENTS

5,323,835 A *	6/1994	Bachmeier	160/89
D358,897 S *	5/1995	Denton	D25/48.8
D611,615 S *	3/2010	Therrien	D25/48.8
2008/0313979 A1 *	12/2008	Holland et al.	52/202

* cited by examiner

1 Claim, 4 Drawing Sheets



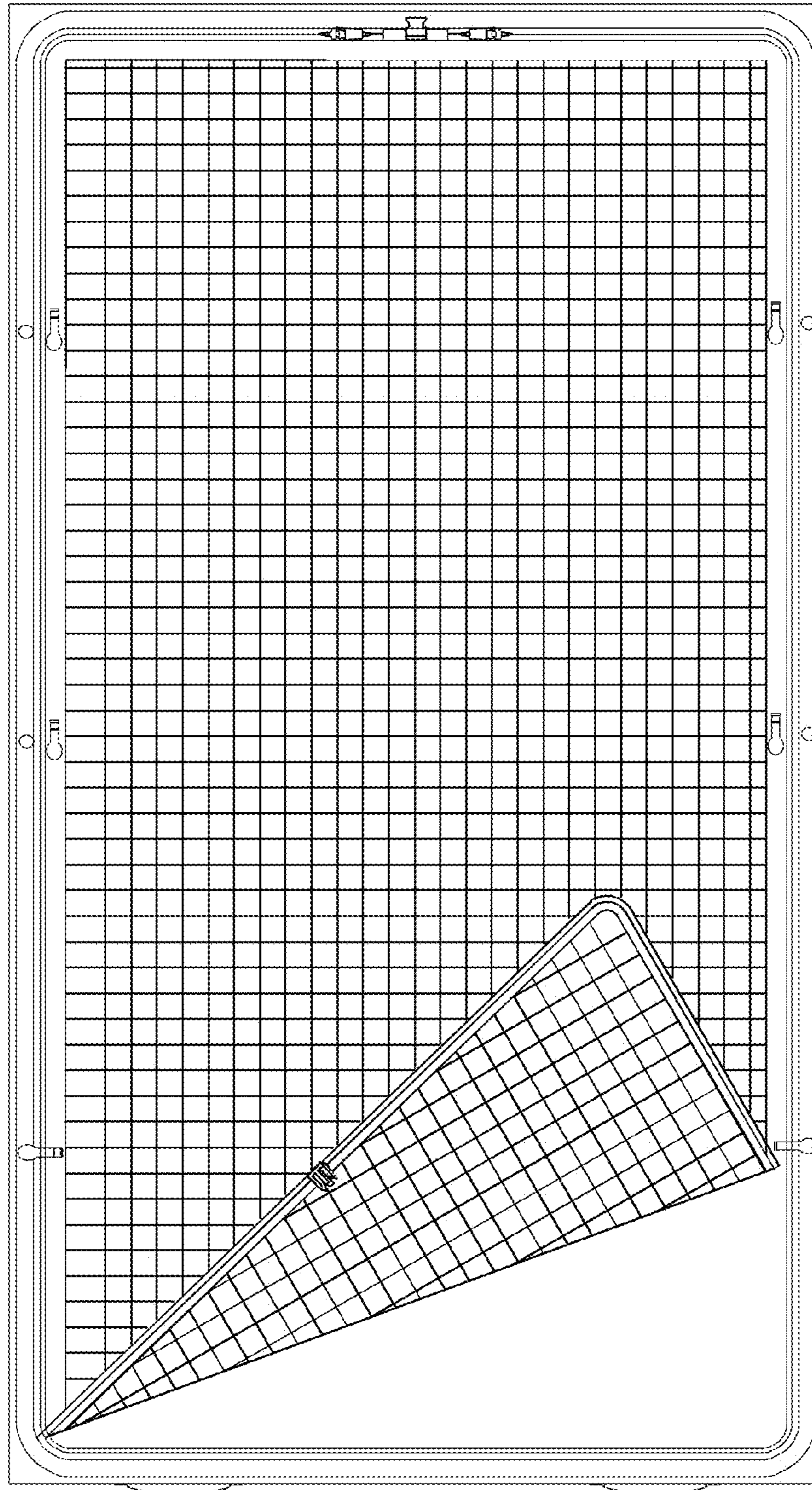


FIG. 1

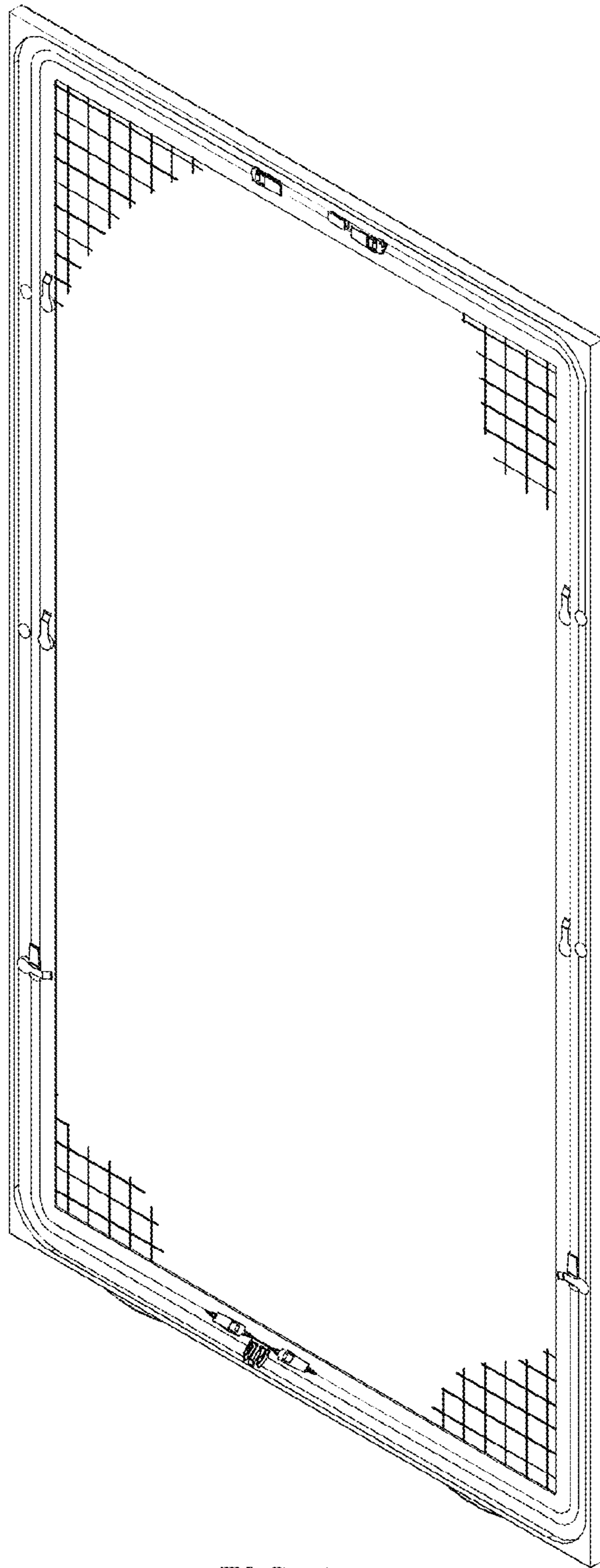


FIG. 2



FIG. 3

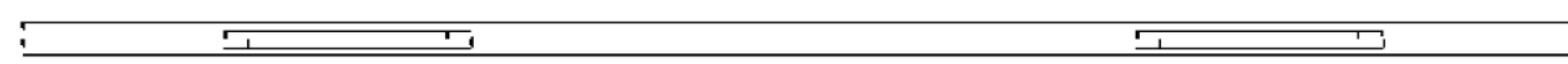


FIG. 4

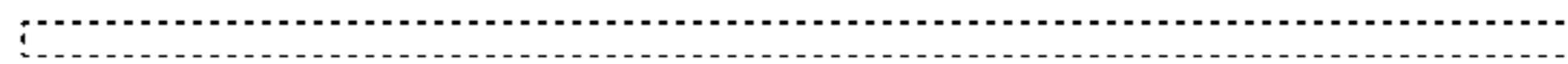


FIG. 5

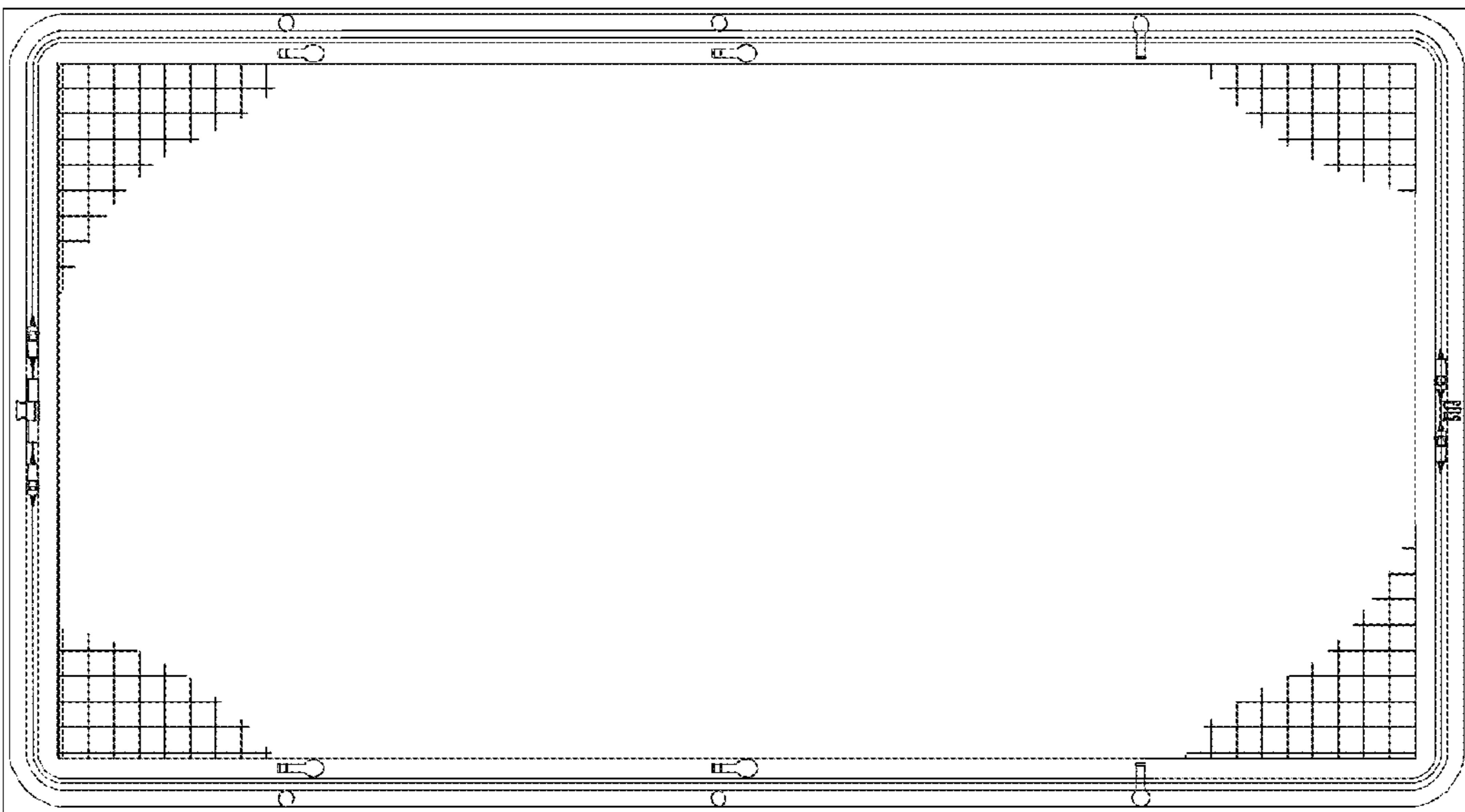


FIG. 6

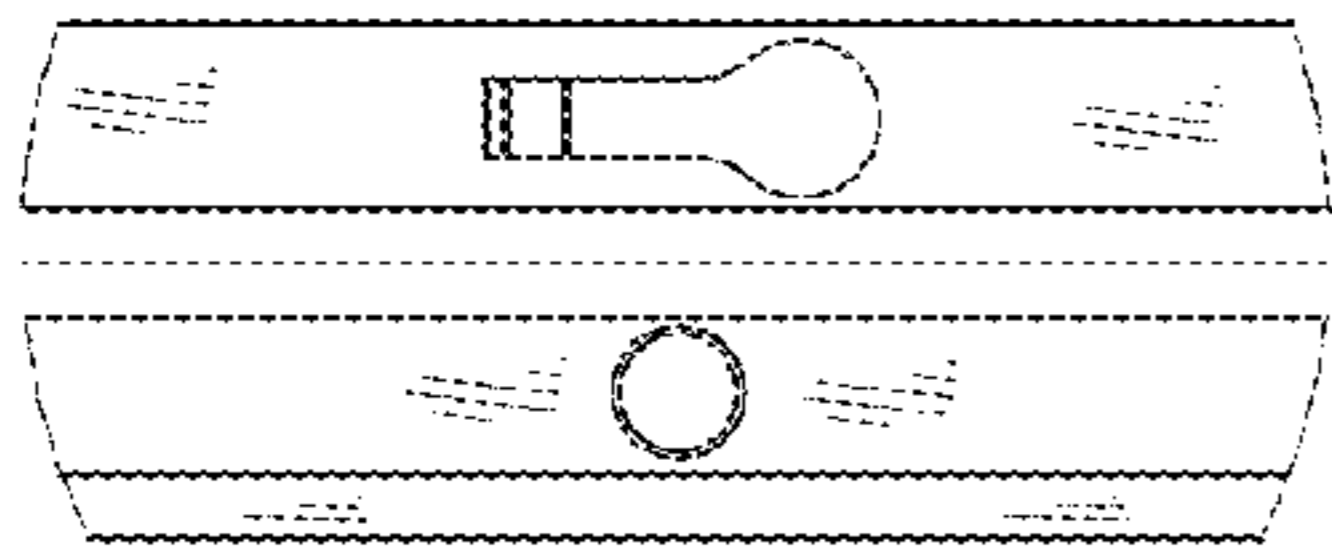


FIG. 7

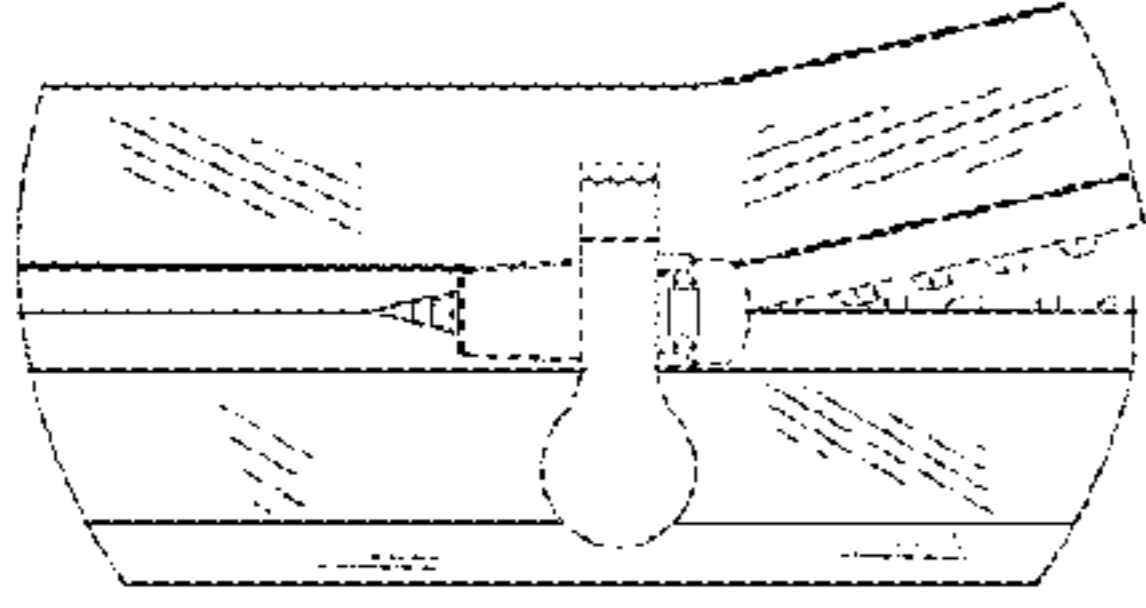


FIG. 8

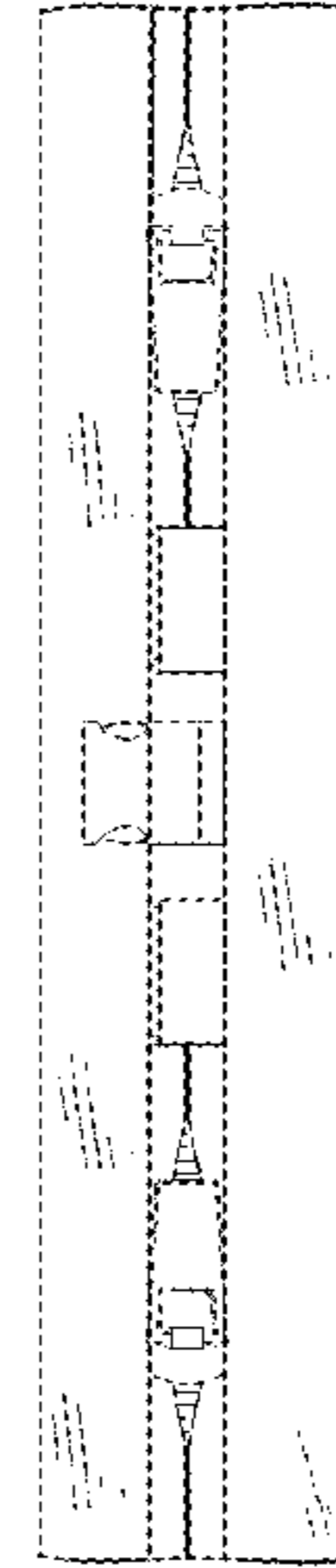


FIG. 9