



US00D707366S

(12) **United States Design Patent**
Rowland

(10) **Patent No.:** **US D707,366 S**
(45) **Date of Patent:** **** Jun. 17, 2014**

(54) **RAIL CONNECTOR**

(75) **Inventor:** **Alvin Charles Rowland**, Maryborough
(AU)

(73) **Assignee:** **Moddex Group Pty Ltd**, Maryborough
(AU)

(**) **Term:** **14 Years**

(21) **Appl. No.:** **29/430,700**

(22) **Filed:** **Aug. 29, 2012**

(30) **Foreign Application Priority Data**

Feb. 29, 2012 (AU) 10927/2012

(51) **LOC (10) Cl.** **25-02**

(52) **U.S. Cl.**
USPC **D25/38.1; D25/61**

(58) **Field of Classification Search**
USPC **D25/61, 38.1; 403/205; 256/65.01,**
256/65.05

See application file for complete search history.

(56) **References Cited**

U.S. PATENT DOCUMENTS

2,066,227	A *	12/1936	Reukauf, Jr. et al.	160/81
D332,146	S *	12/1992	Schreib	D25/38.1
D411,018	S *	6/1999	Nowell	D25/61
6,247,869	B1 *	6/2001	Lichvar	403/205
2003/0094604	A1 *	5/2003	Higgs et al.	256/65.01
2004/0041141	A1 *	3/2004	Cannon	256/65.05

* cited by examiner

Primary Examiner — Doris Clark

(74) *Attorney, Agent, or Firm* — Gregory J. Winsky; Jason F. Cotter; Archer & Greiner, P.C.

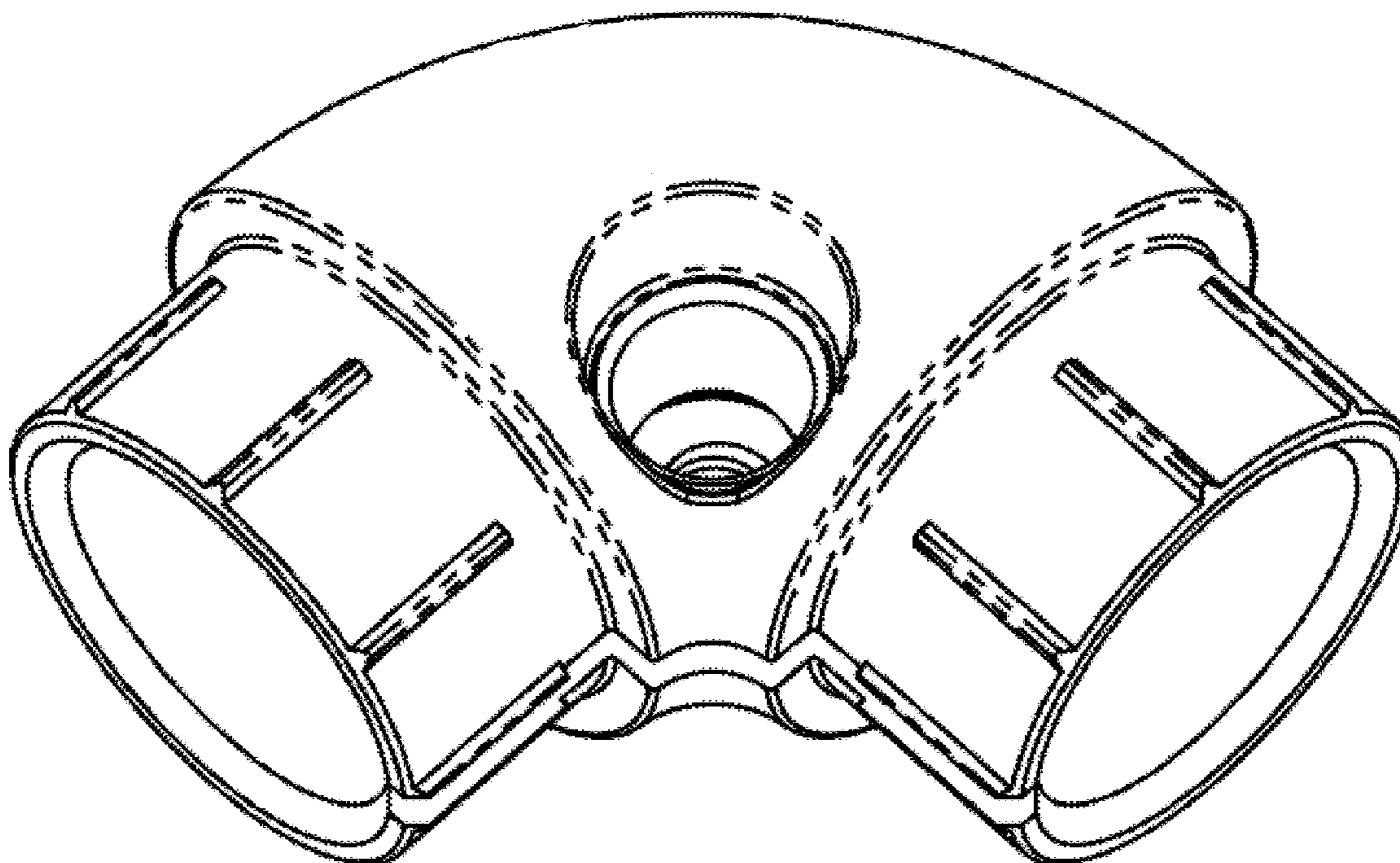
(57) **CLAIM**

I claim the ornamental design for a rail connector, as shown and described.

DESCRIPTION

FIG. 1 is a bottom view of a rail connector showing my new design;
FIG. 2 is a top view of a rail connector showing my new design;
FIG. 3 is a right side view of a rail connector showing my new design;
FIG. 4 is a left side view of a rail connector showing my new design; and,
FIG. 5 is a top perspective view of a rail connector showing my new design.

1 Claim, 4 Drawing Sheets



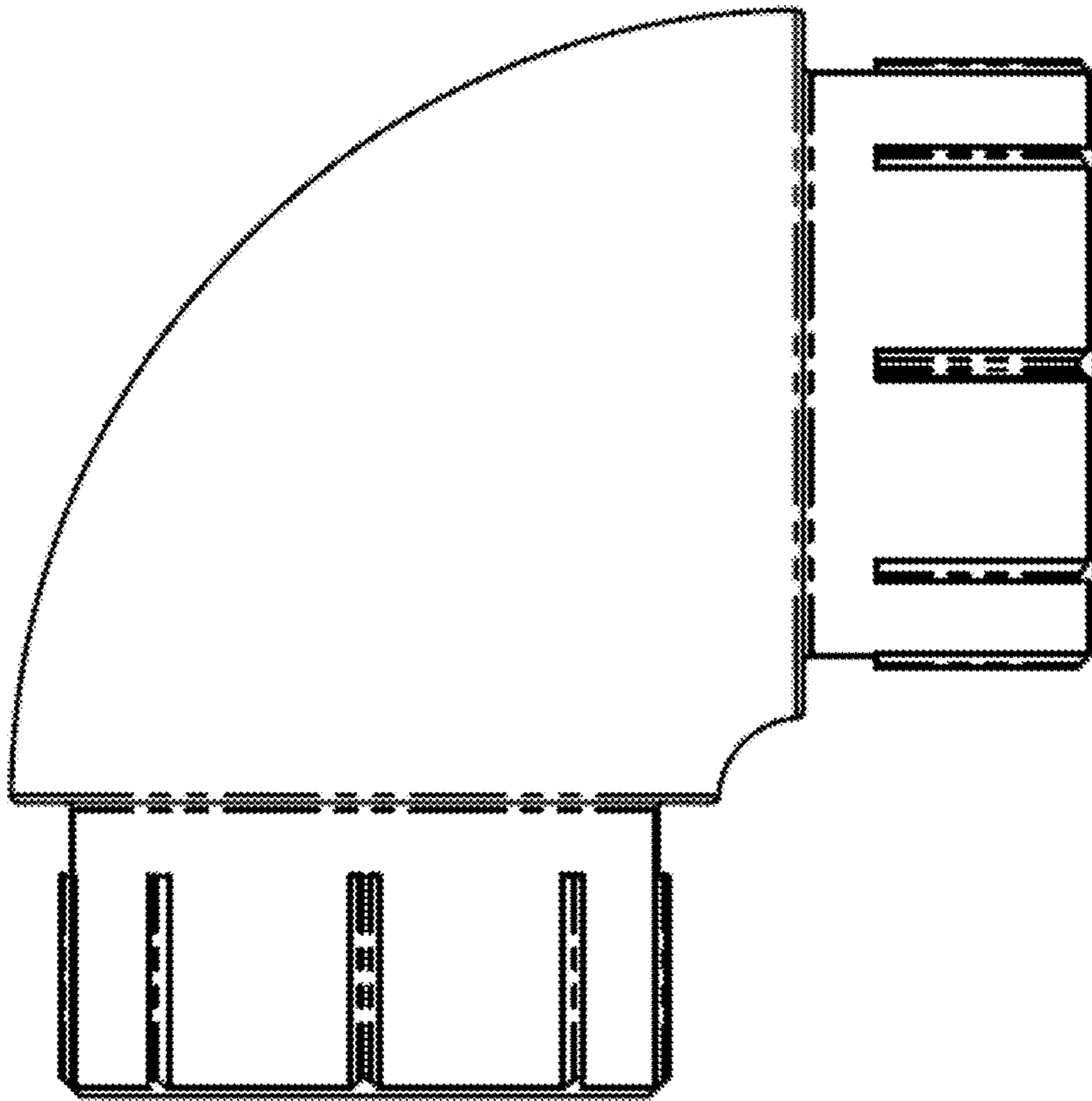


FIG. 1

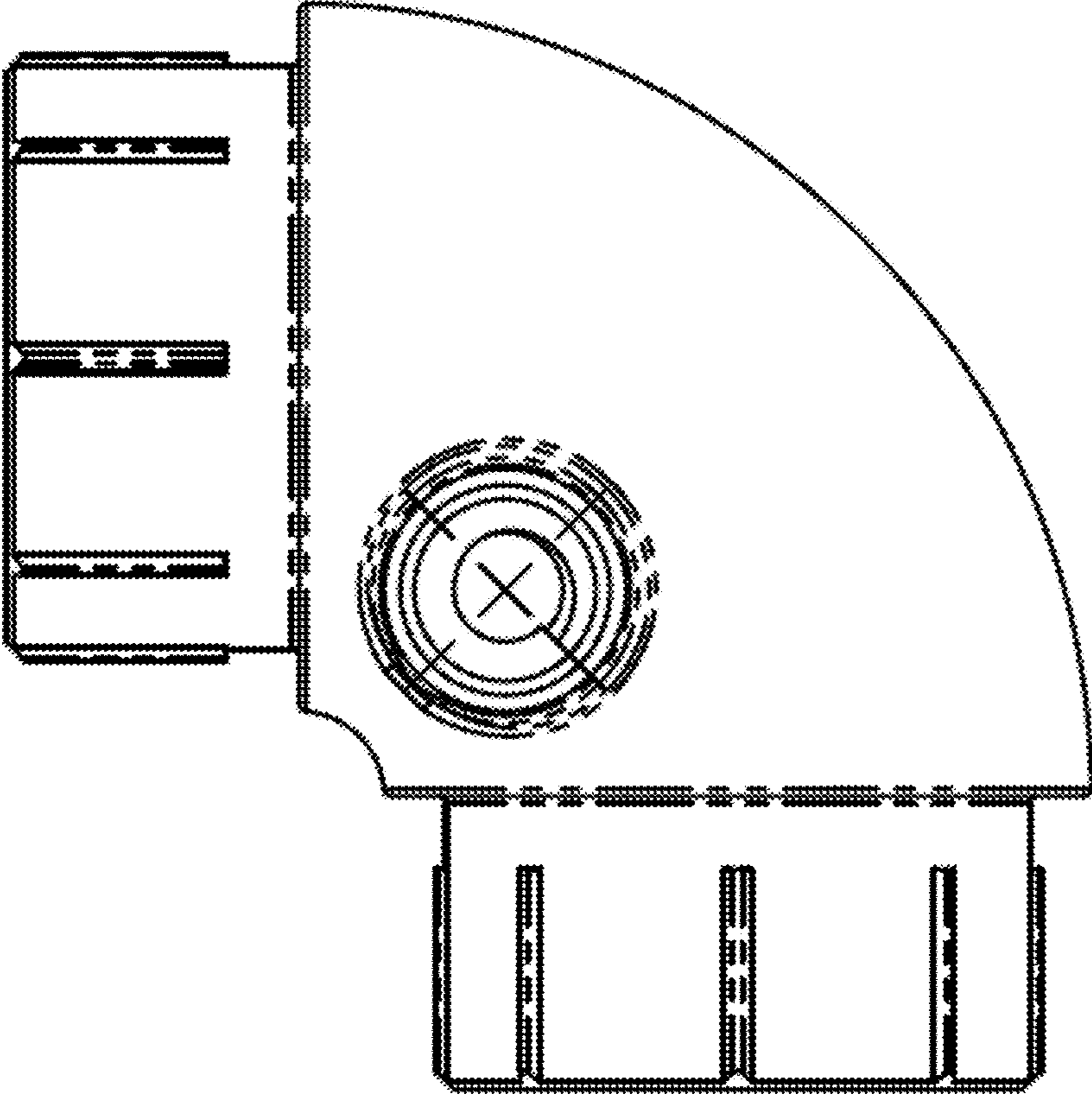


FIG. 2

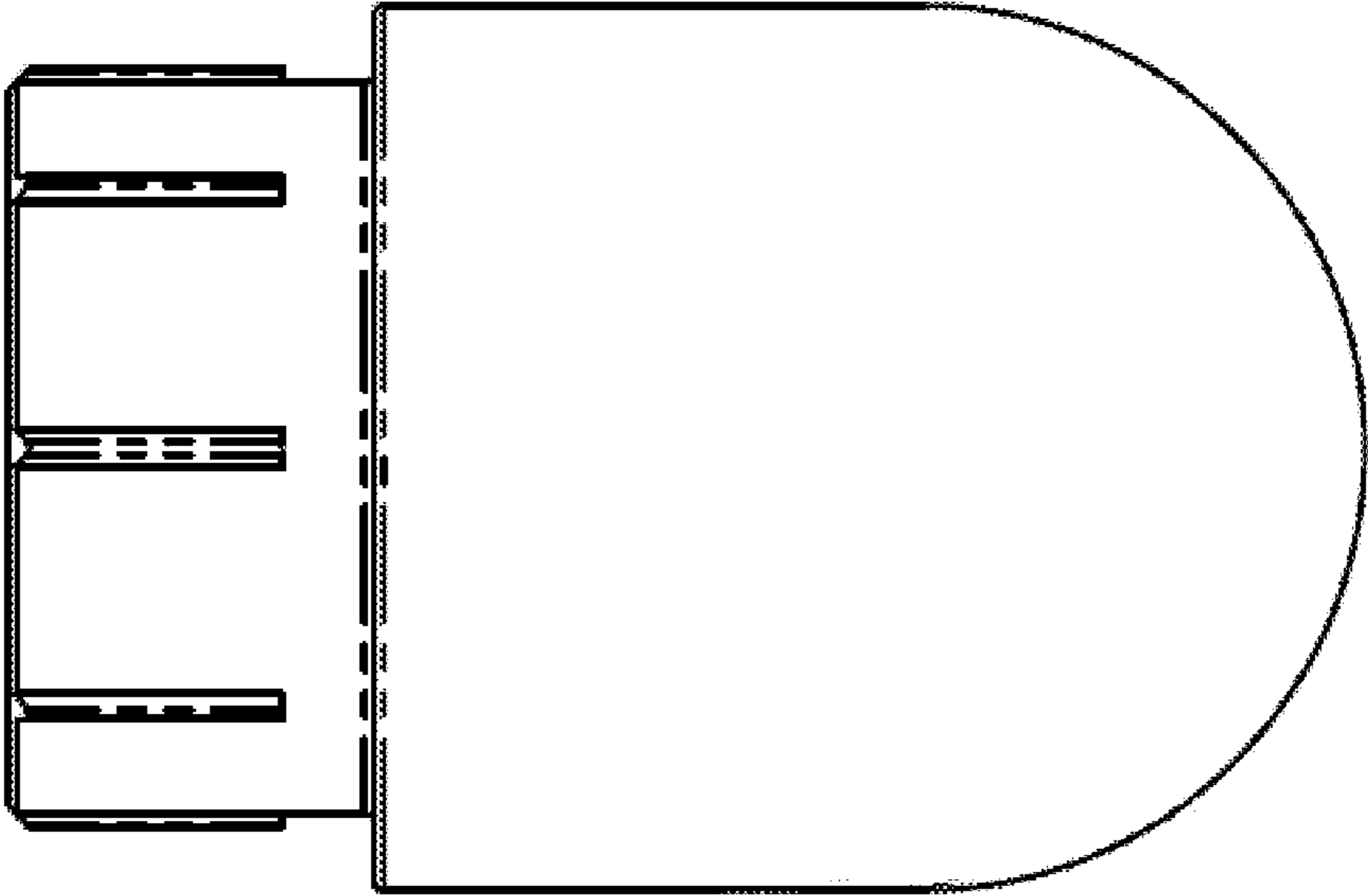


FIG. 3

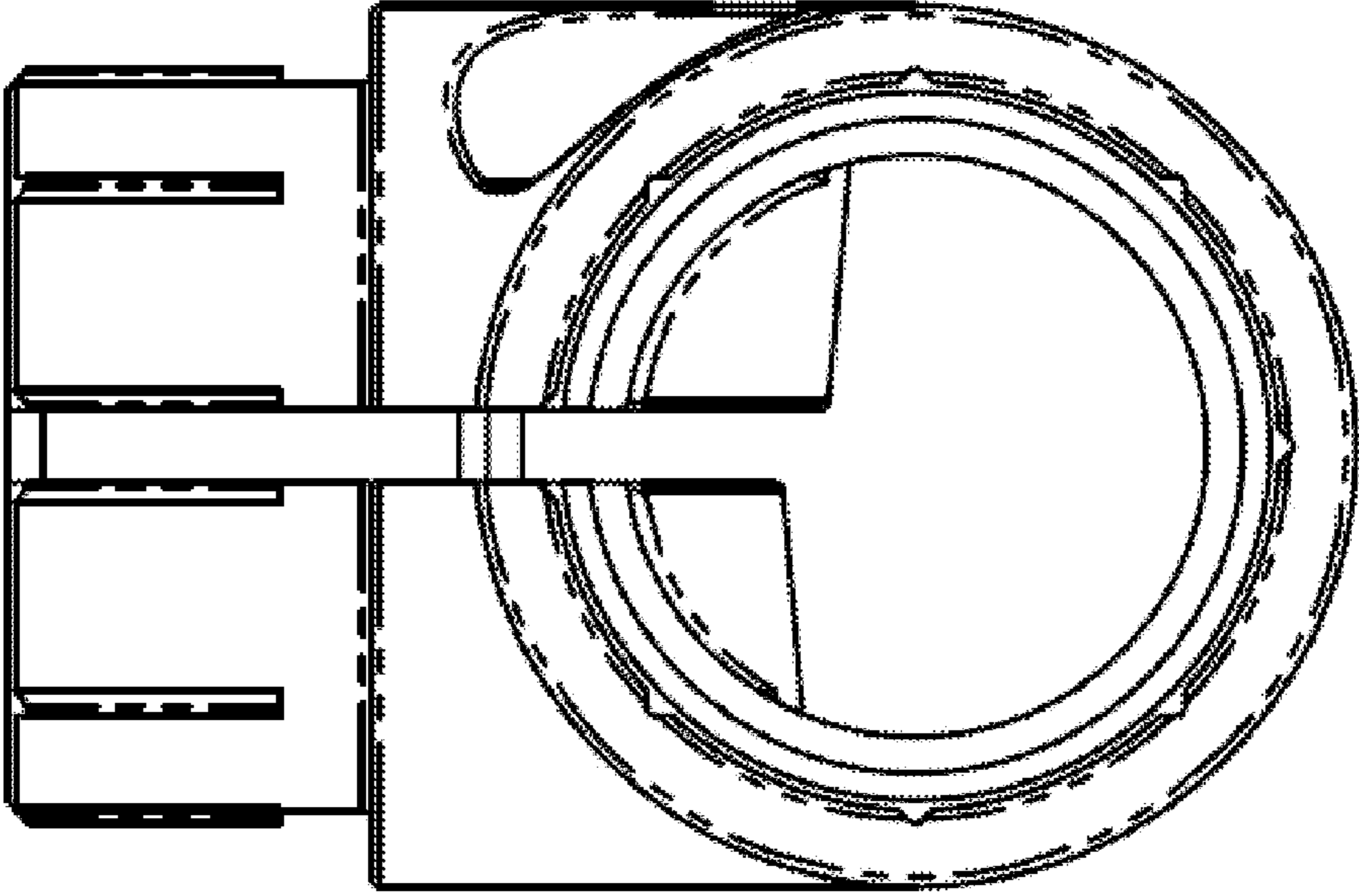


FIG. 4

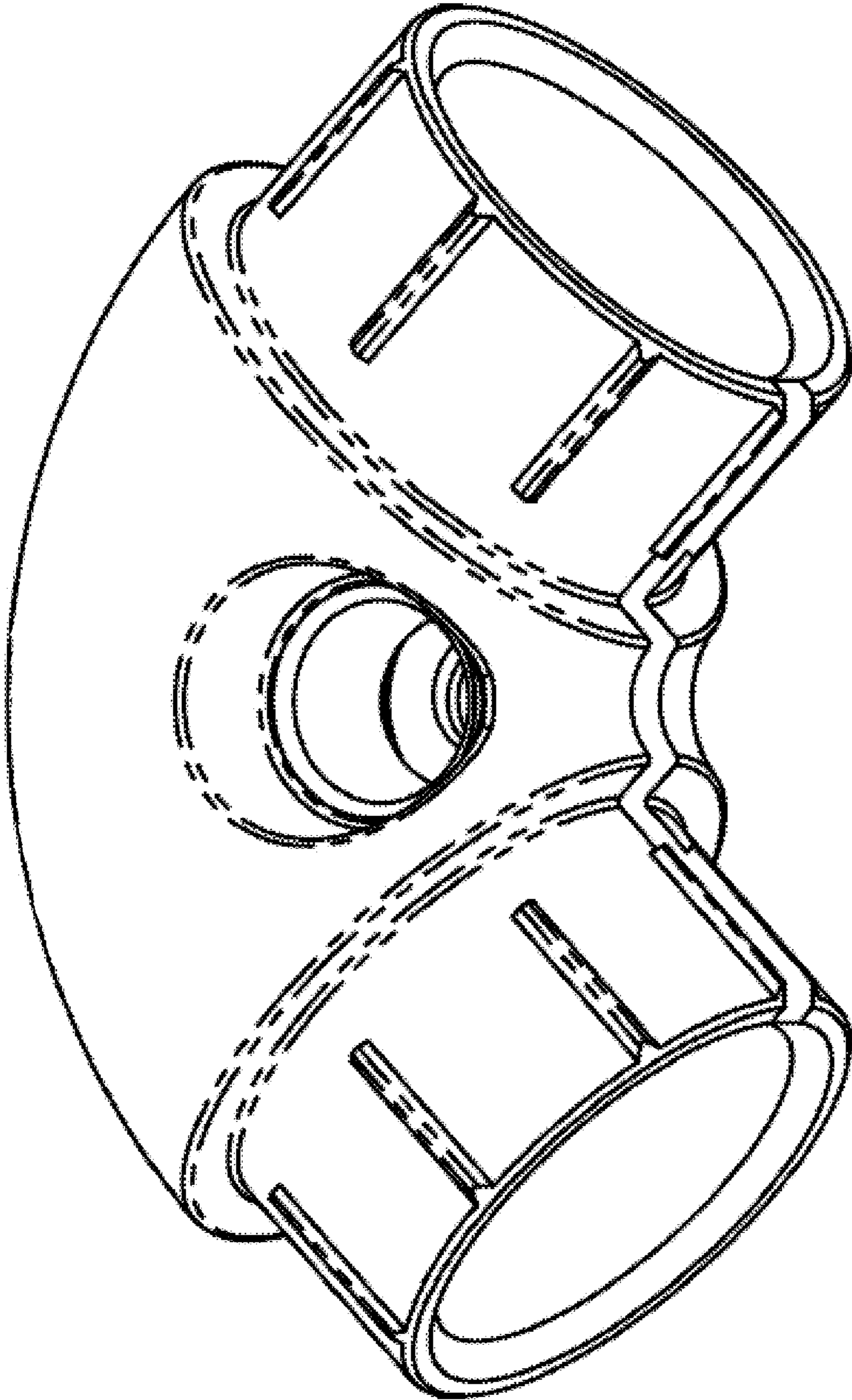


FIG. 5