



US00D707364S

(12) **United States Design Patent**  
**Spencer**

(10) **Patent No.:** **US D707,364 S**  
(45) **Date of Patent:** **\*\* Jun. 17, 2014**

(54) **CONTAINER**

(71) Applicant: **RML Engineering Limited**, Hamilton (NZ)

(72) Inventor: **Daniel Vernon Spencer**, Hamilton (NZ)

(73) Assignee: **RML Engineering Limited** (NZ)

(\*\*) Term: **14 Years**

(21) Appl. No.: **29/439,927**

(22) Filed: **Dec. 17, 2012**

(30) **Foreign Application Priority Data**

Jun. 15, 2012 (NZ) ..... 416375

(51) **LOC (10) Cl.** ..... **24-02**

(52) **U.S. Cl.**  
USPC ..... **D24/224; D9/446; D9/558**

(58) **Field of Classification Search**  
USPC ..... D9/446, 449, 500, 502-505, 516, 549,  
D9/558; D3/203.2; D24/216, 224;  
215/379, 381-382; 220/660, 662-664,  
220/669-673, 675  
See application file for complete search history.

(56) **References Cited**

**U.S. PATENT DOCUMENTS**

D256,053 S \* 7/1980 Steigerwald ..... D24/224  
D340,836 S \* 11/1993 Cautereels ..... D7/511  
D427,427 S \* 7/2000 Davis ..... D3/203.5  
D491,275 S \* 6/2004 Walters et al. .... D24/224

D540,169 S \* 4/2007 Tanner ..... D9/503  
D598,738 S \* 8/2009 Supranowicz ..... D9/420  
D621,951 S \* 8/2010 Bucholtz et al. .... D24/224  
7,850,922 B2 \* 12/2010 Gallagher et al. .... 422/501  
7,854,895 B2 \* 12/2010 Gallagher et al. .... 422/553  
7,915,032 B2 \* 3/2011 Ostrowski et al. .... 435/287.7  
D644,336 S \* 8/2011 Belfance et al. .... D24/224  
D644,337 S \* 8/2011 Belfance et al. .... D24/224  
D644,739 S \* 9/2011 Belfance et al. .... D24/224  
D644,740 S \* 9/2011 John et al. .... D24/224  
D659,848 S \* 5/2012 TerMaat et al. .... D24/224  
D690,025 S \* 9/2013 TerMaat et al. .... D24/224

\* cited by examiner

*Primary Examiner* — Ian Simmons

*Assistant Examiner* — Dana L Meyrow

(74) *Attorney, Agent, or Firm* — Lowe Graham Jones PLLC

(57) **CLAIM**

I claim the ornamental design for a container, as shown and described.

**DESCRIPTION**

FIG. 1 is a top perspective view of a container, showing my new design.

FIG. 2 is a right side view of the container.

FIG. 3 is a front view of the container.

FIG. 4 is a left side view of the container.

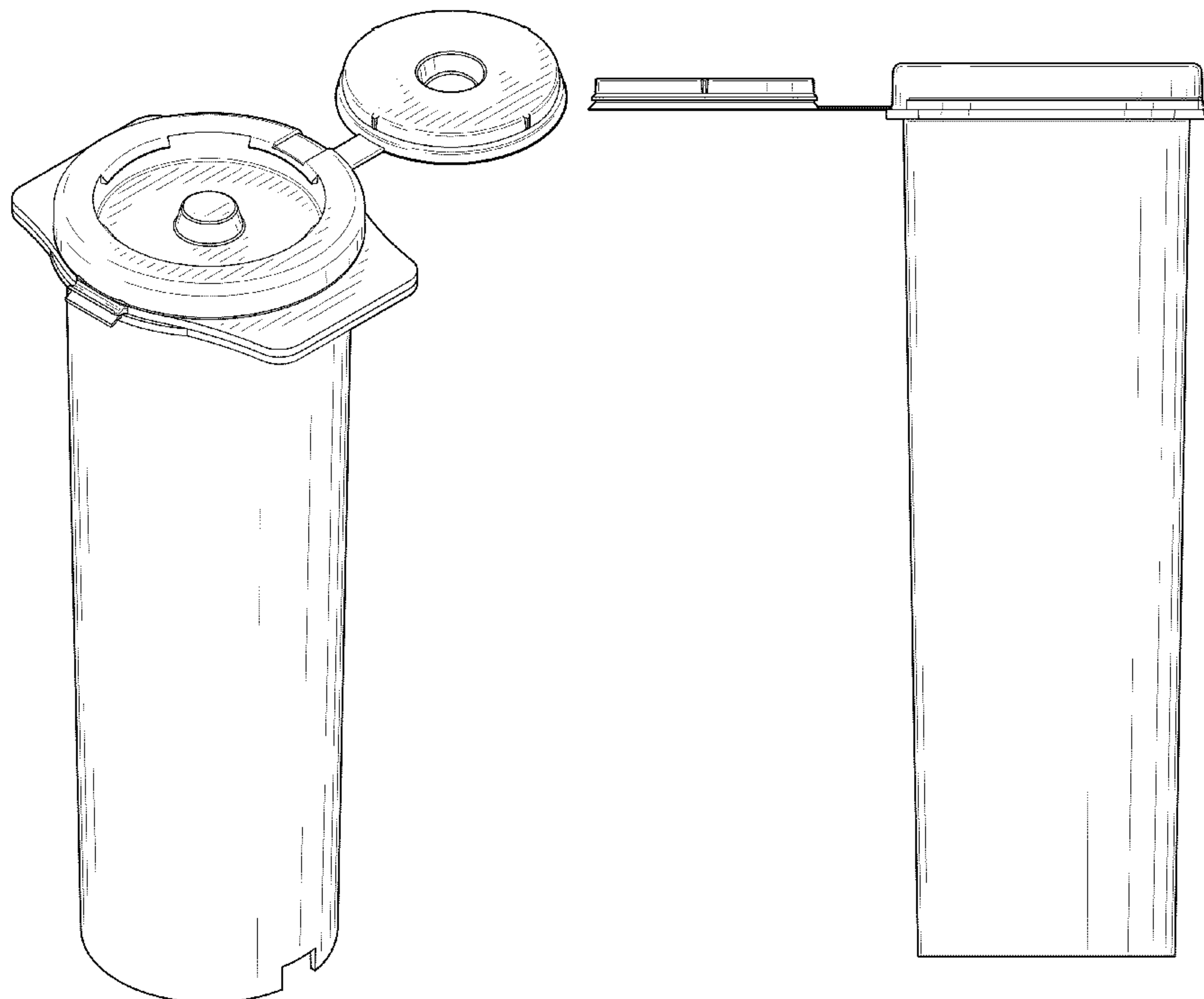
FIG. 5 is a back view of the container.

FIG. 6 is a top plan view of the container; and,

FIG. 7 is a bottom view of the container.

The portions of the container shown in broken lines in the drawings illustrate the portions of the design that form no part of the claim.

**1 Claim, 6 Drawing Sheets**



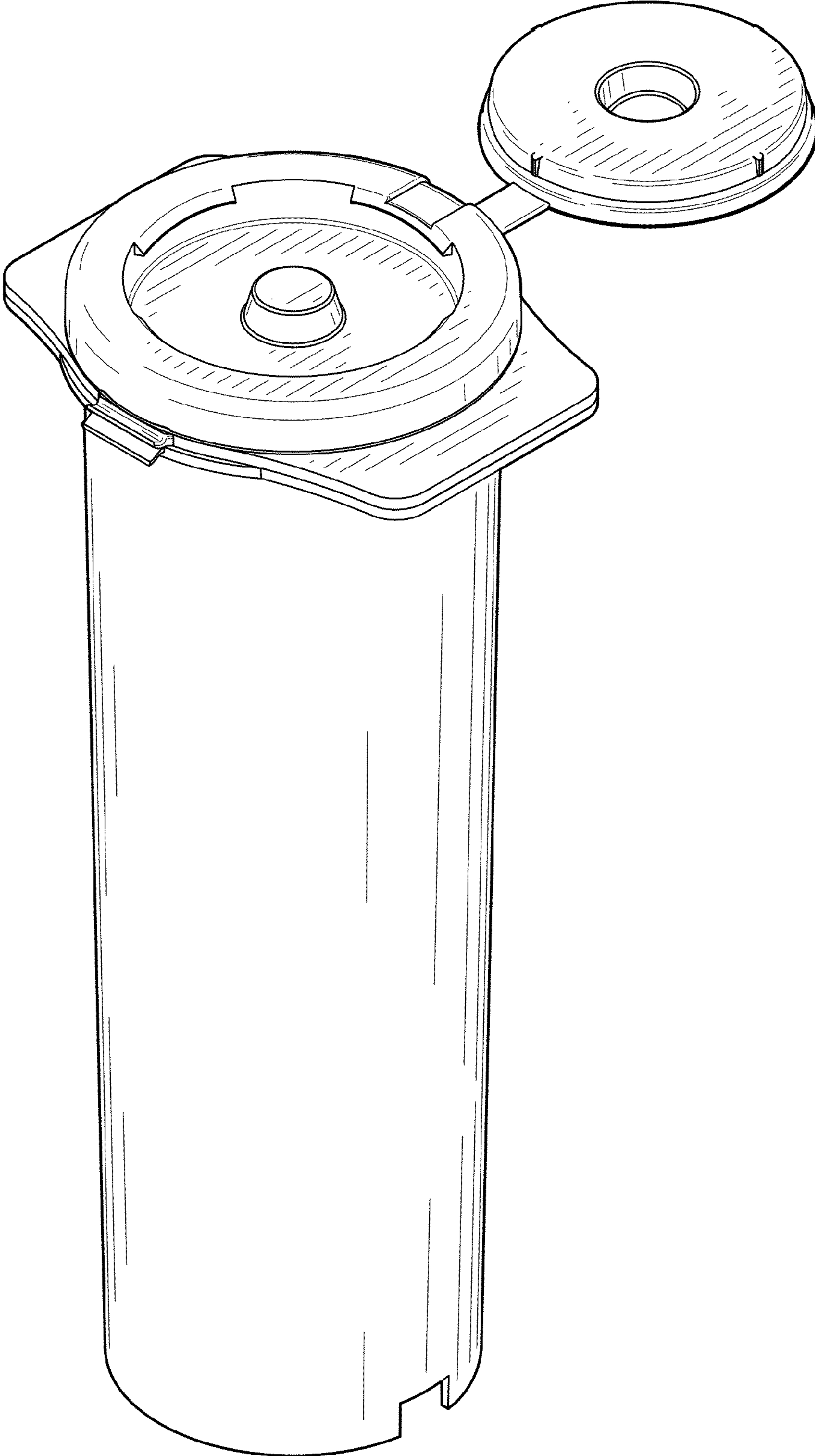


FIG.1

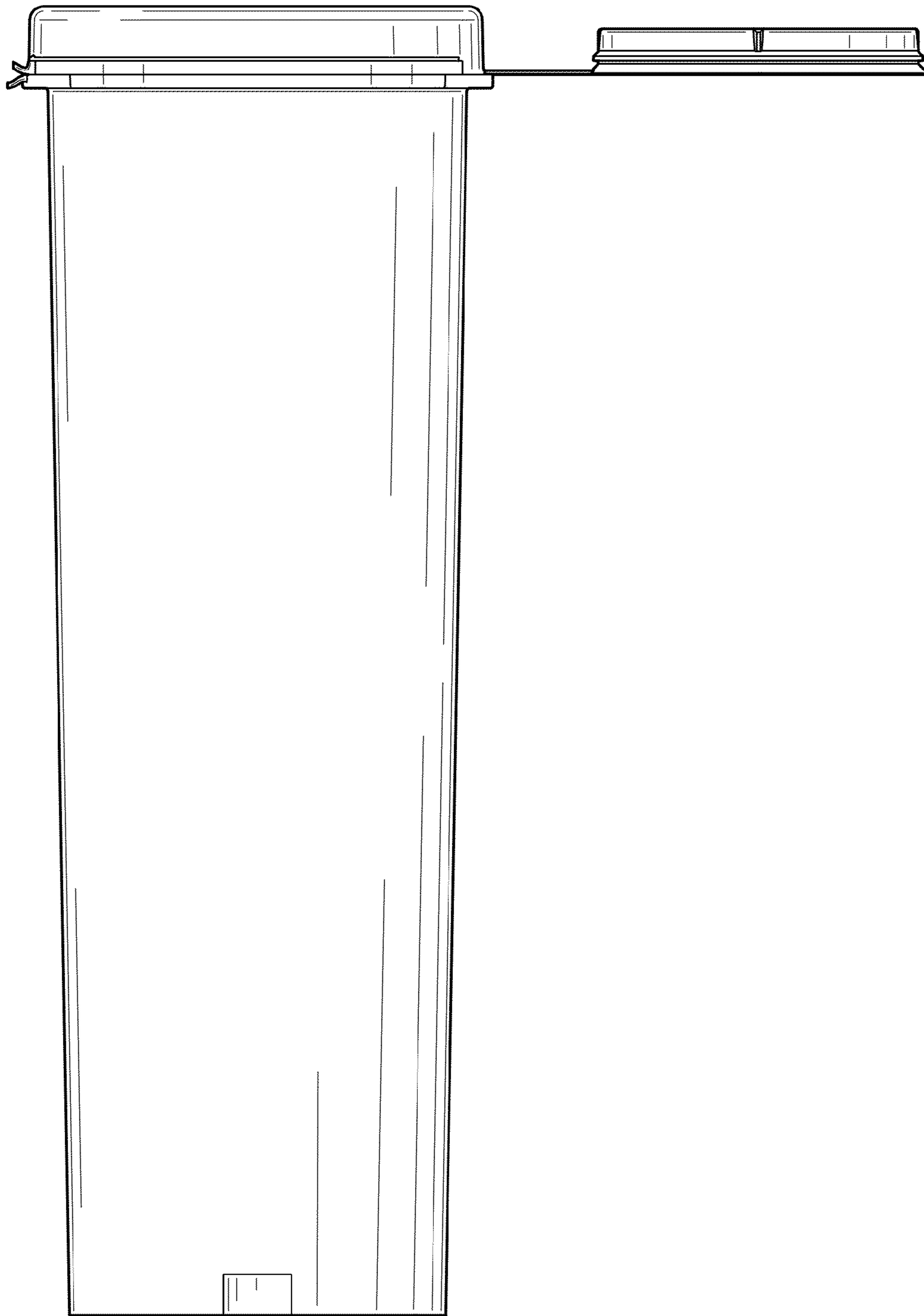


FIG.2

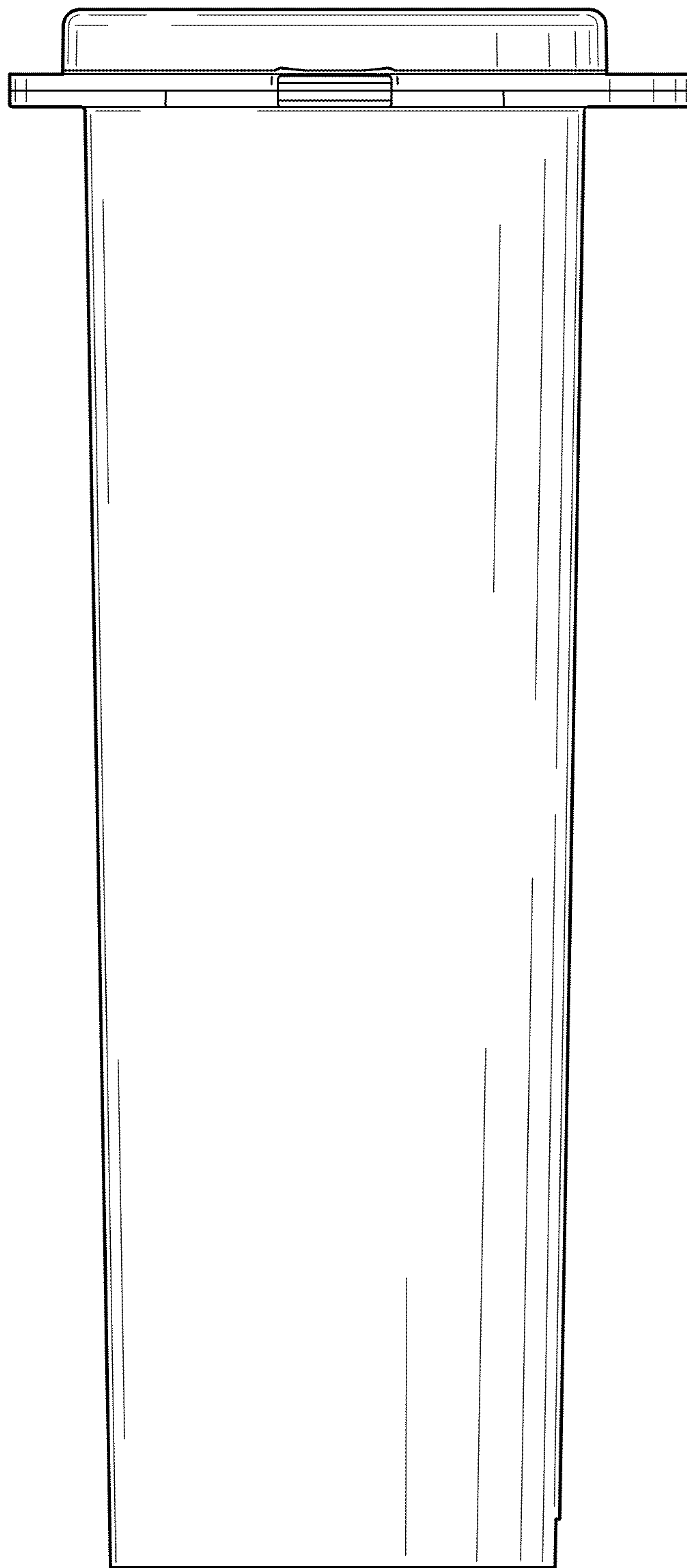


FIG. 3

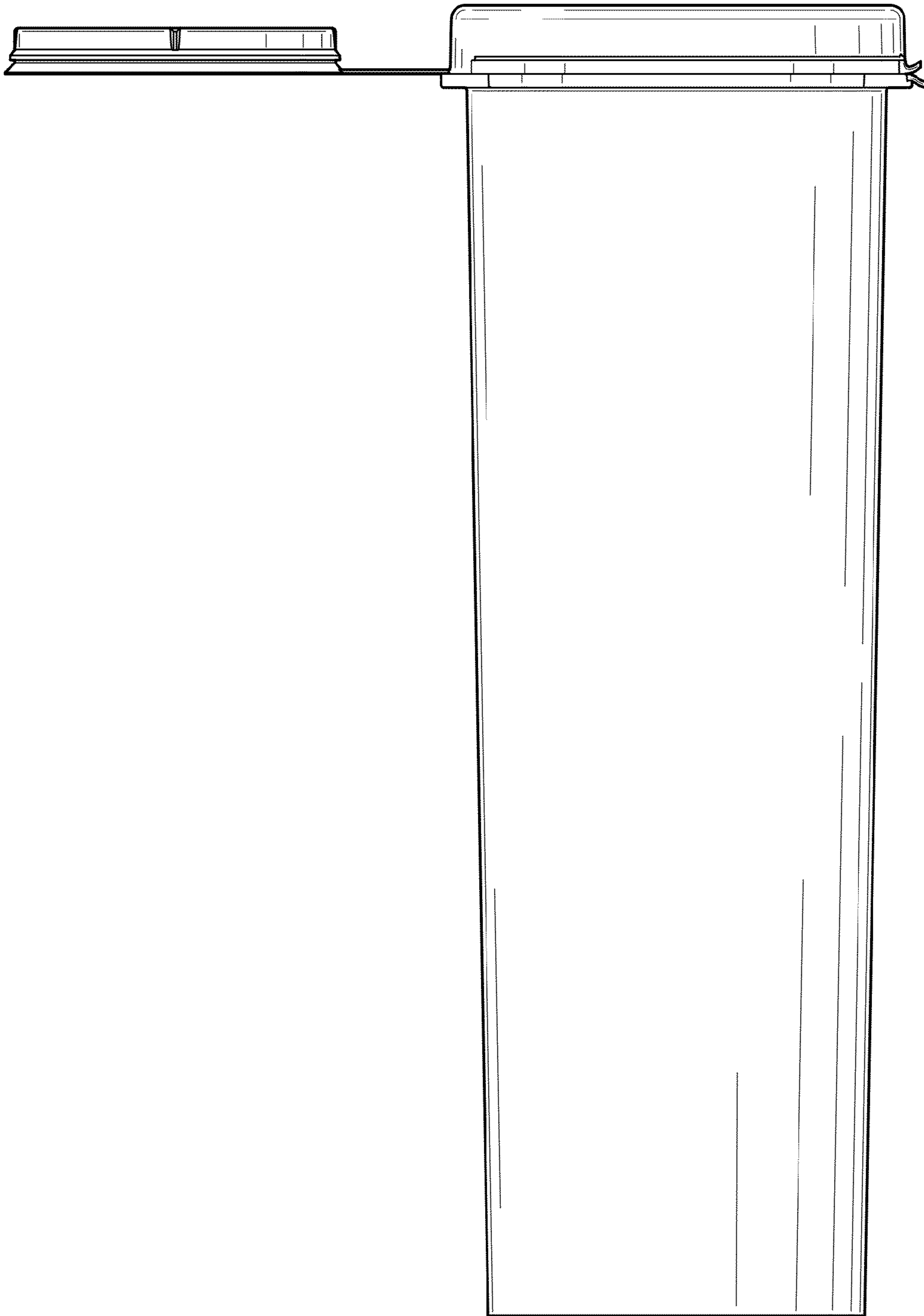


FIG.4





FIG. 5

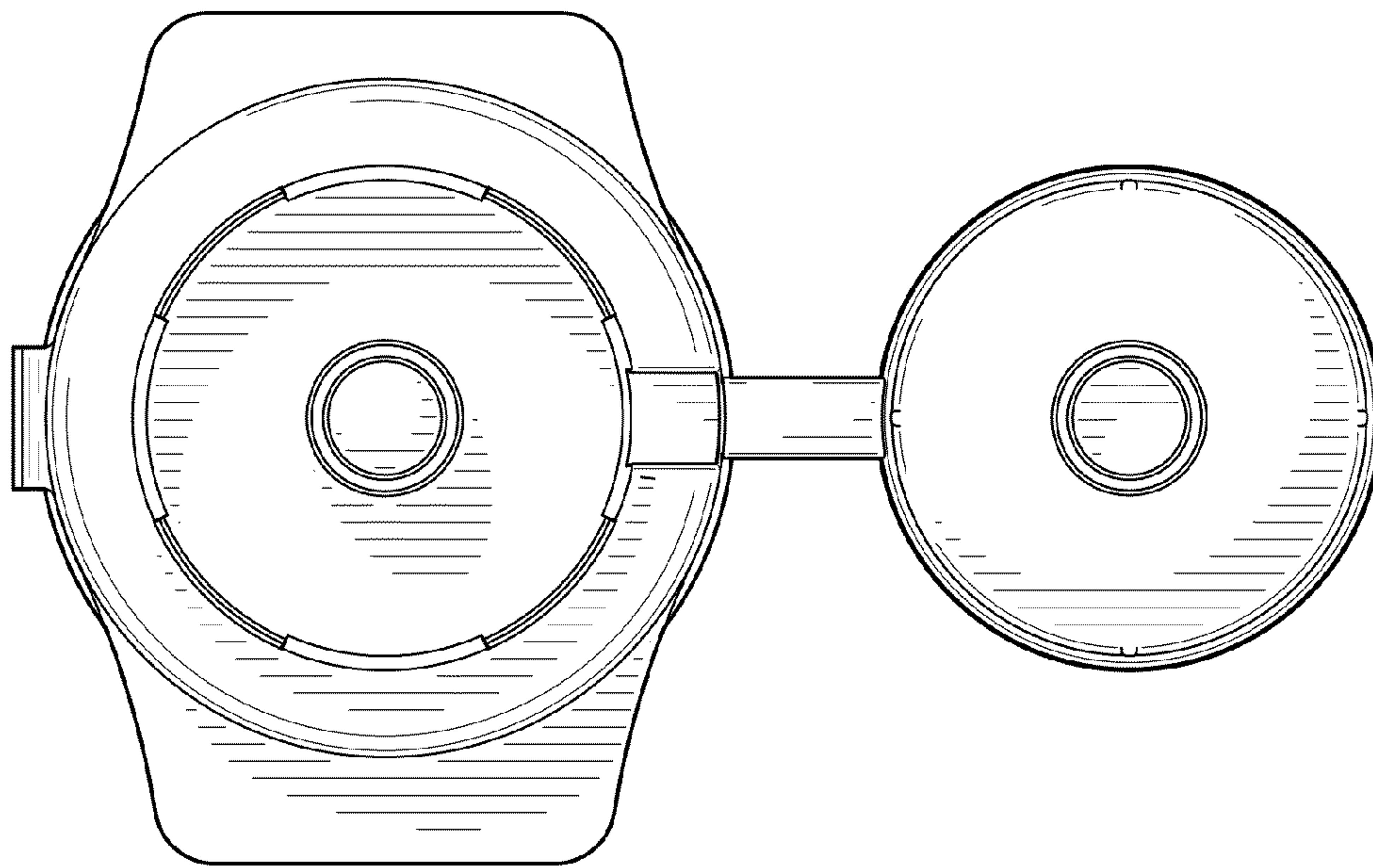


FIG. 6

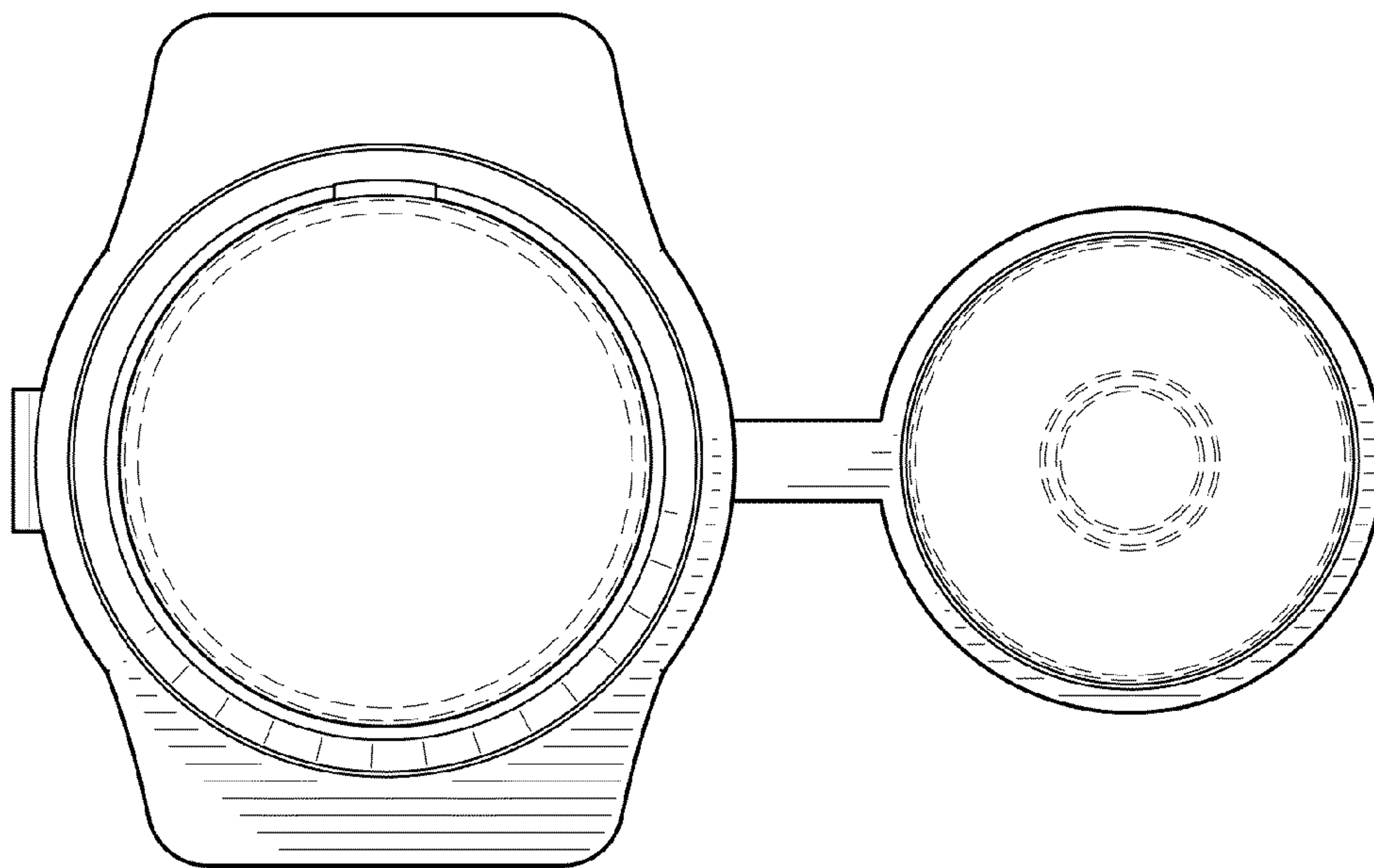


FIG. 7