



US00D707360S

(12) **United States Design Patent**  
**Kim et al.**

(10) **Patent No.:** **US D707,360 S**  
(45) **Date of Patent:** **\*\* Jun. 17, 2014**

(54) **MEDICAL ULTRASOUND DEVICE**

(75) Inventors: **Ki-Soo Kim**, Goonpo-Si (KR);  
**Chi-Young Ahn**, Seoul (KR); **Sang-Min Hyun**, Seoul (KR); **Jong-Chan Kwon**,  
Yongin-Si (KR)

(73) Assignee: **Samsung Electronics Co., Ltd.**,  
Suwon-si (KR)

(\*\*) Term: **14 Years**

(21) Appl. No.: **29/427,605**

(22) Filed: **Jul. 20, 2012**

(30) **Foreign Application Priority Data**

Feb. 6, 2012 (KR) ..... 30-2012-0005425

(51) **LOC (10) Cl.** ..... **24-00**

(52) **U.S. Cl.**  
USPC ..... **D24/185**

(58) **Field of Classification Search**  
USPC ..... D24/185, 186, 144, 160, 167-169, 172,  
D24/200, 158, 164; D34/12, 14; 312/22,  
312/109, 209, 223.1, 286, 249.8, 249.12;  
248/282.1; 600/437, 443, 459  
See application file for complete search history.

(56) **References Cited**

**U.S. PATENT DOCUMENTS**

D406,893 S \* 3/1999 Menhennett et al. .... D24/169  
D512,508 S \* 12/2005 Mesaros ..... D24/185  
7,044,568 B2 \* 5/2006 Olivera et al. .... 312/209  
D612,561 S \* 3/2010 Hunter et al. .... D34/14  
D648,855 S \* 11/2011 Smith et al. .... D24/158  
D650,482 S \* 12/2011 Kim et al. .... D24/158

D658,766 S \* 5/2012 Otoha et al. .... D24/185  
D662,208 S \* 6/2012 Otoha et al. .... D24/185  
D680,650 S \* 4/2013 Muraoka et al. .... D24/158  
2009/0015116 A1 \* 1/2009 Arceta et al. .... 312/209

\* cited by examiner

*Primary Examiner* — Robert M Spear

*Assistant Examiner* — Rhea Shields

(74) *Attorney, Agent, or Firm* — NSIP Law

(57) **CLAIM**

The ornamental design for a medical ultrasound device, as shown and described.

**DESCRIPTION**

FIG. 1 is a front perspective view of a medical ultrasound device;  
FIG. 2 is a front view of the medical ultrasound device of FIG. 1;  
FIG. 3 is a rear view of the medical ultrasound device of FIG. 1;  
FIG. 4 is a left-side view of the medical ultrasound device of FIG. 1;  
FIG. 5 is a right-side view of the medical ultrasound device of FIG. 1;  
FIG. 6 is a top plan view of the medical ultrasound device of FIG. 1;  
FIG. 7 is a bottom plan view of the medical ultrasound device of FIG. 1; and,  
FIG. 8 is a left-side view of the medical ultrasound device of FIG. 1, where the monitor is in a folded position.  
Features shown in broken lines in FIGS. 1, 2, 3, 4, 5, 6, 7, and 8 form no part of the claimed design.

**1 Claim, 8 Drawing Sheets**

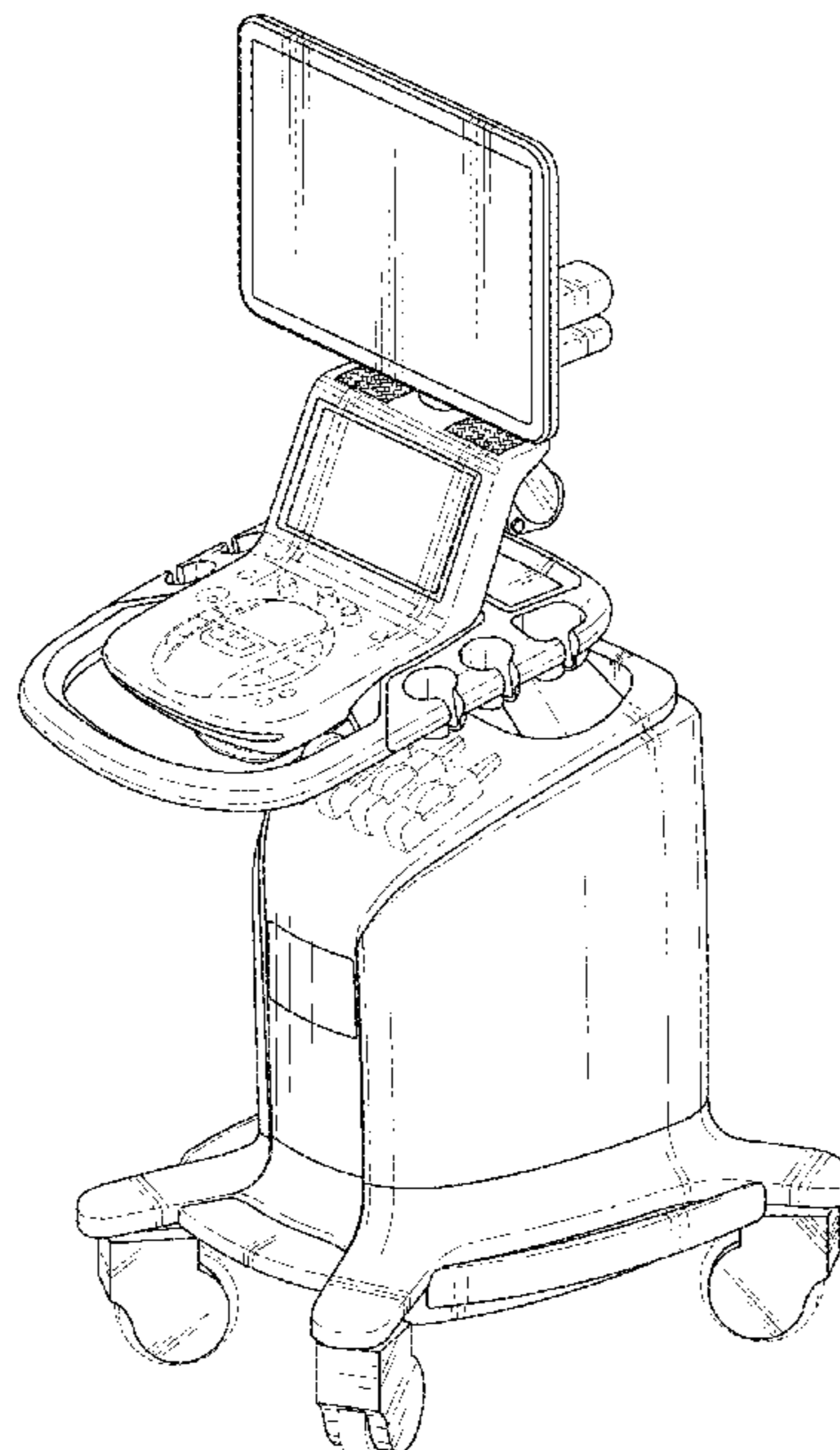


FIG. 1

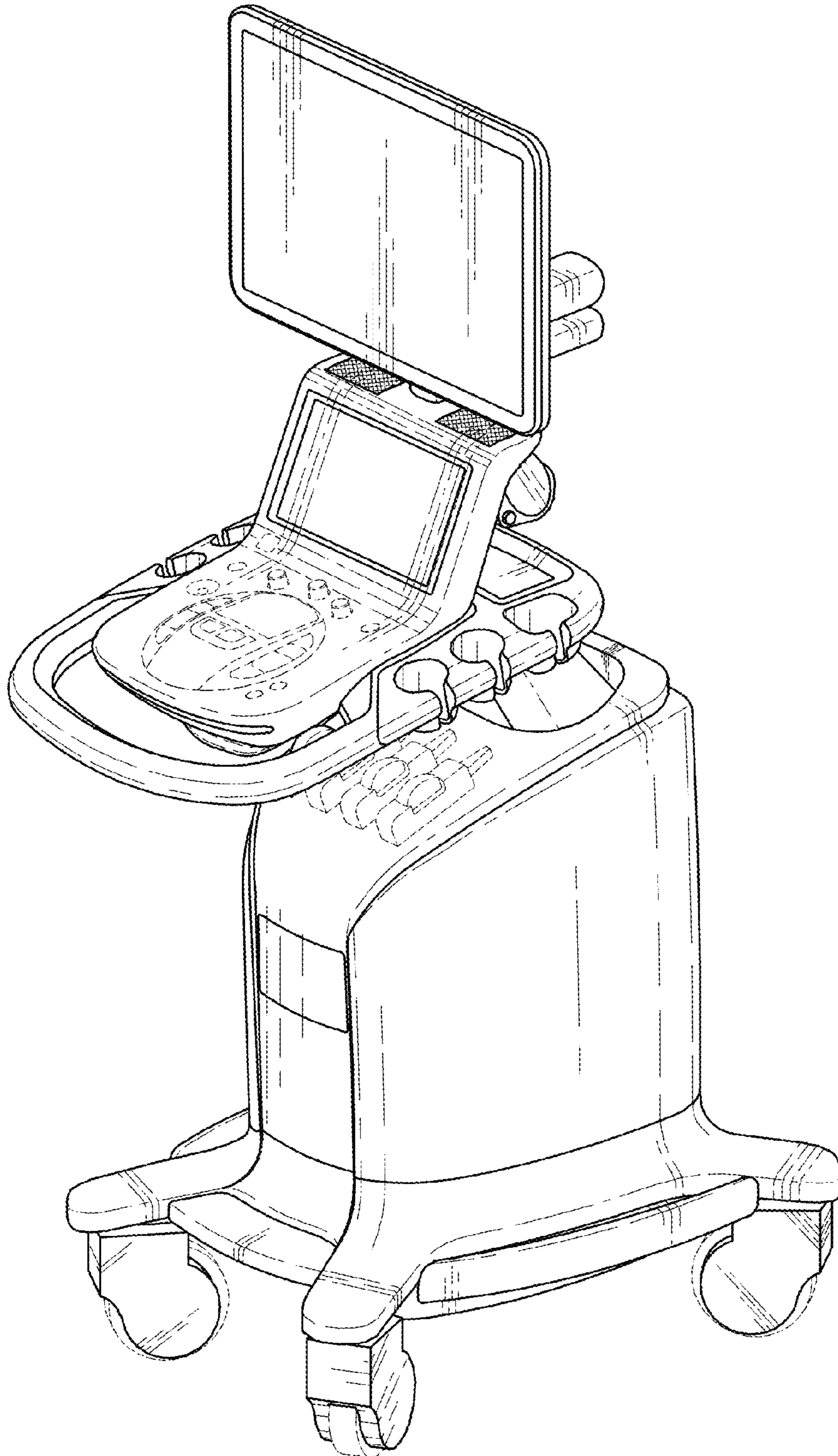


FIG. 2

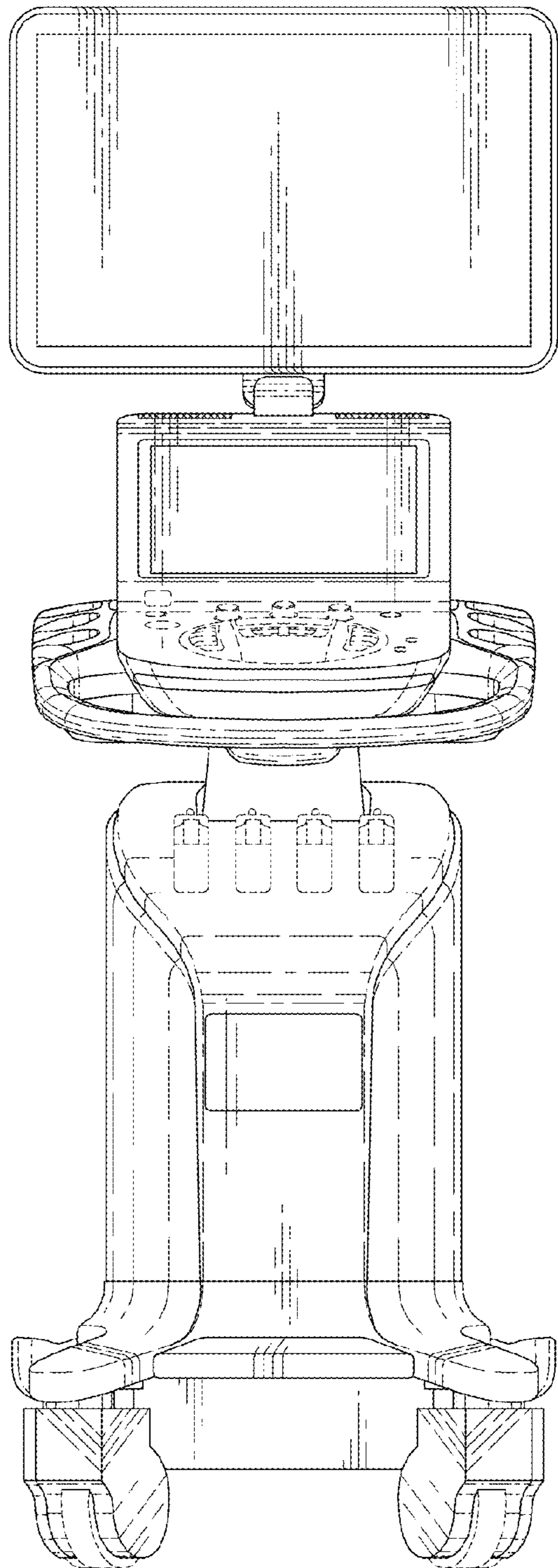


FIG. 3

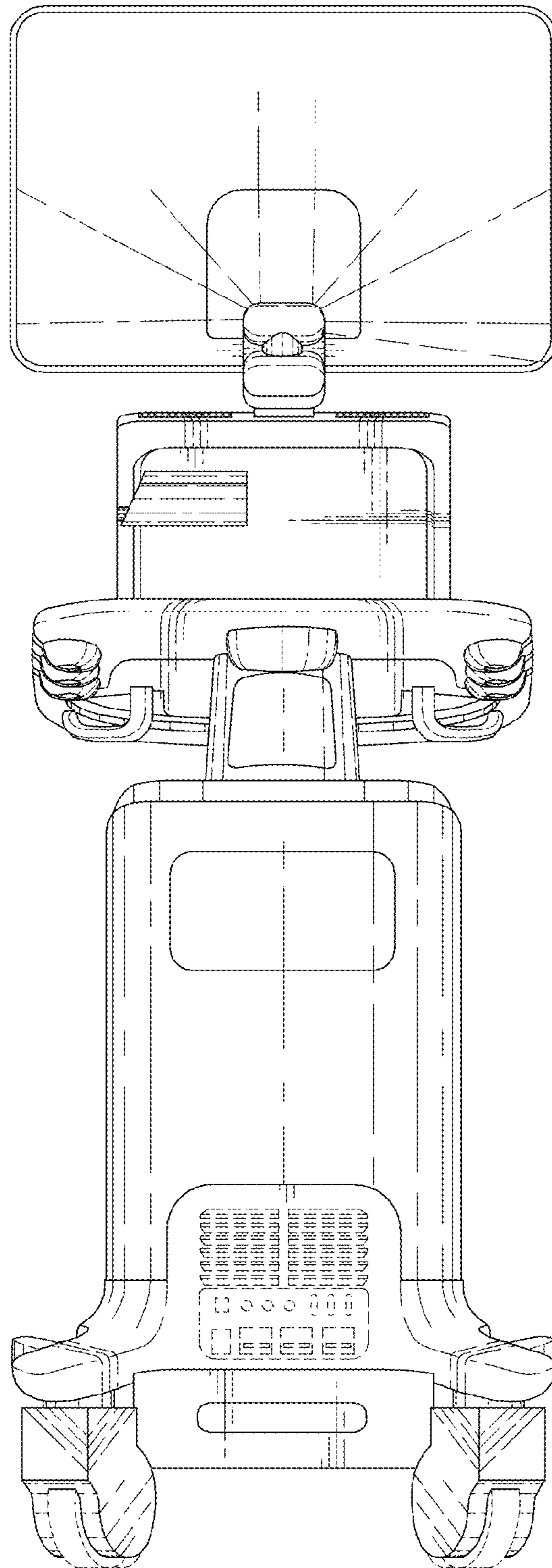




FIG. 4

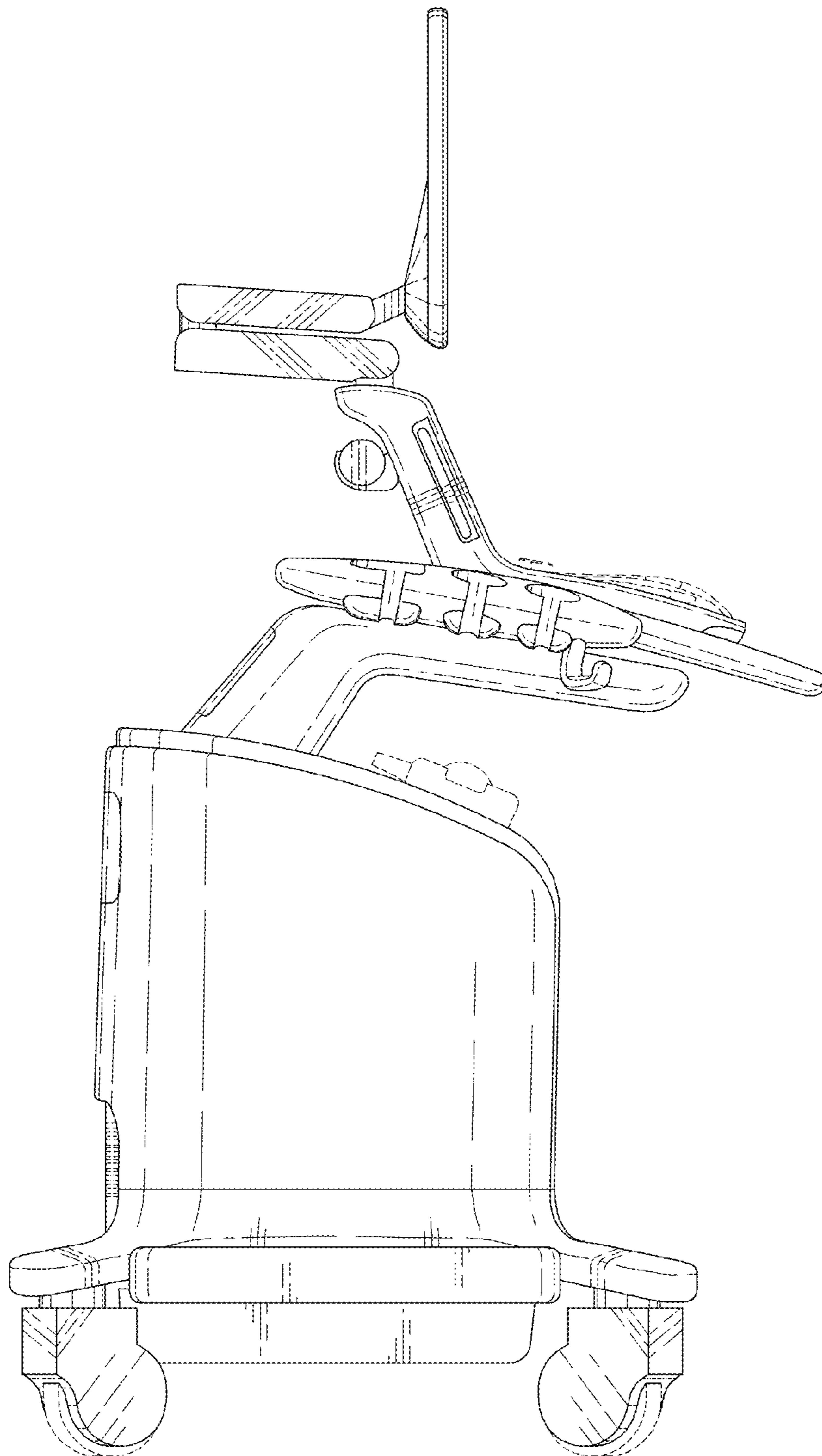


FIG. 5

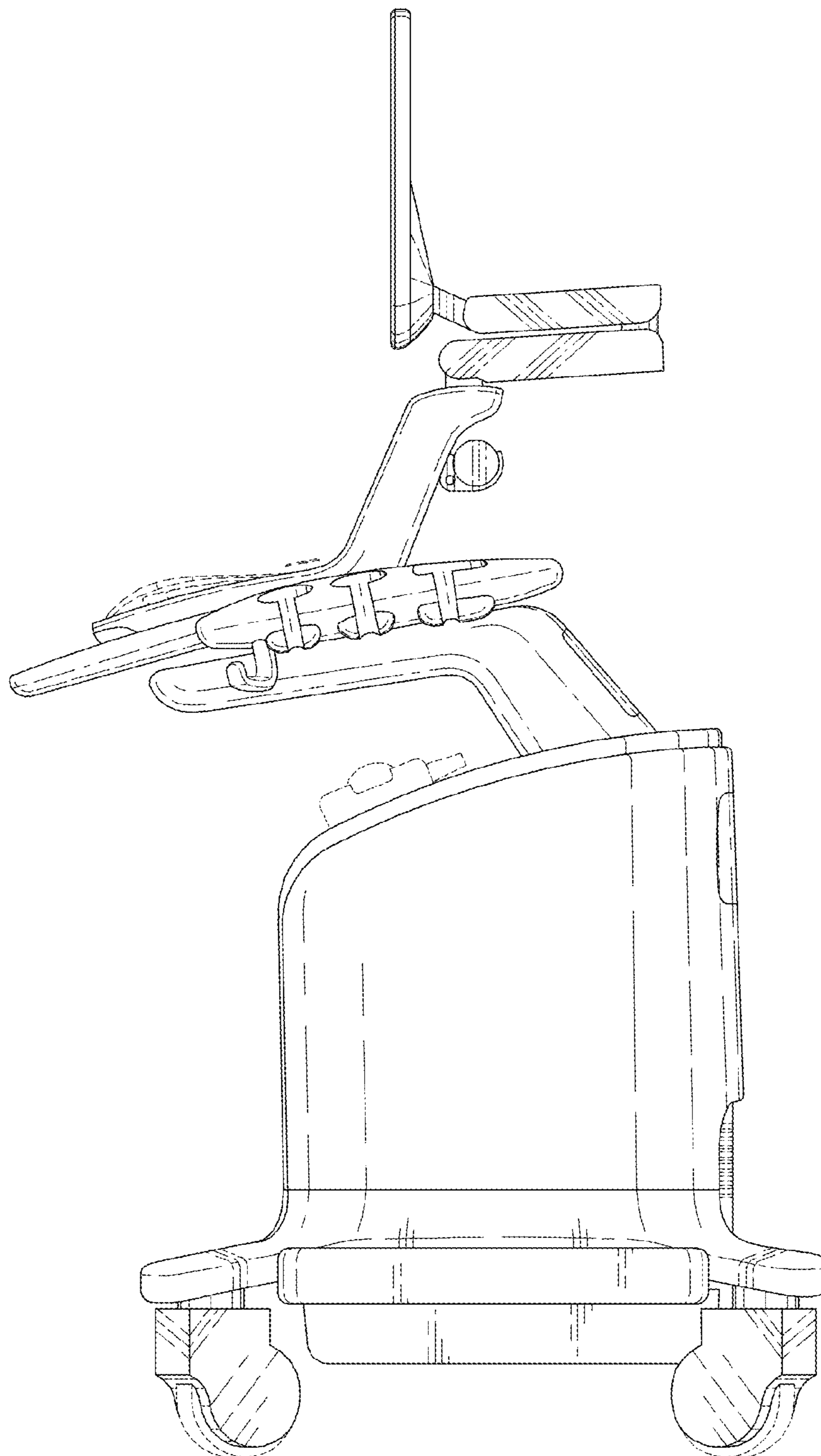


FIG. 6

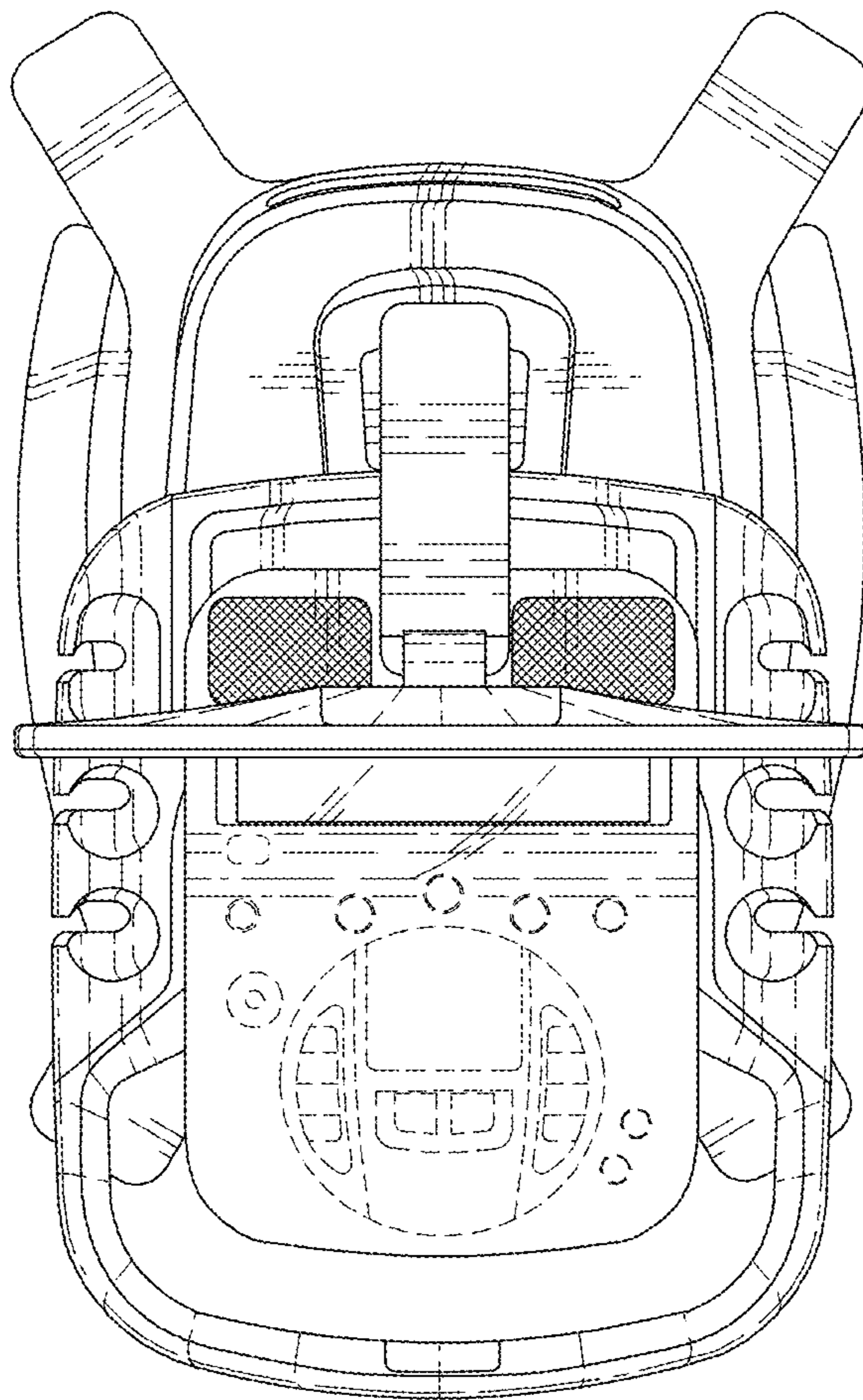


FIG. 7

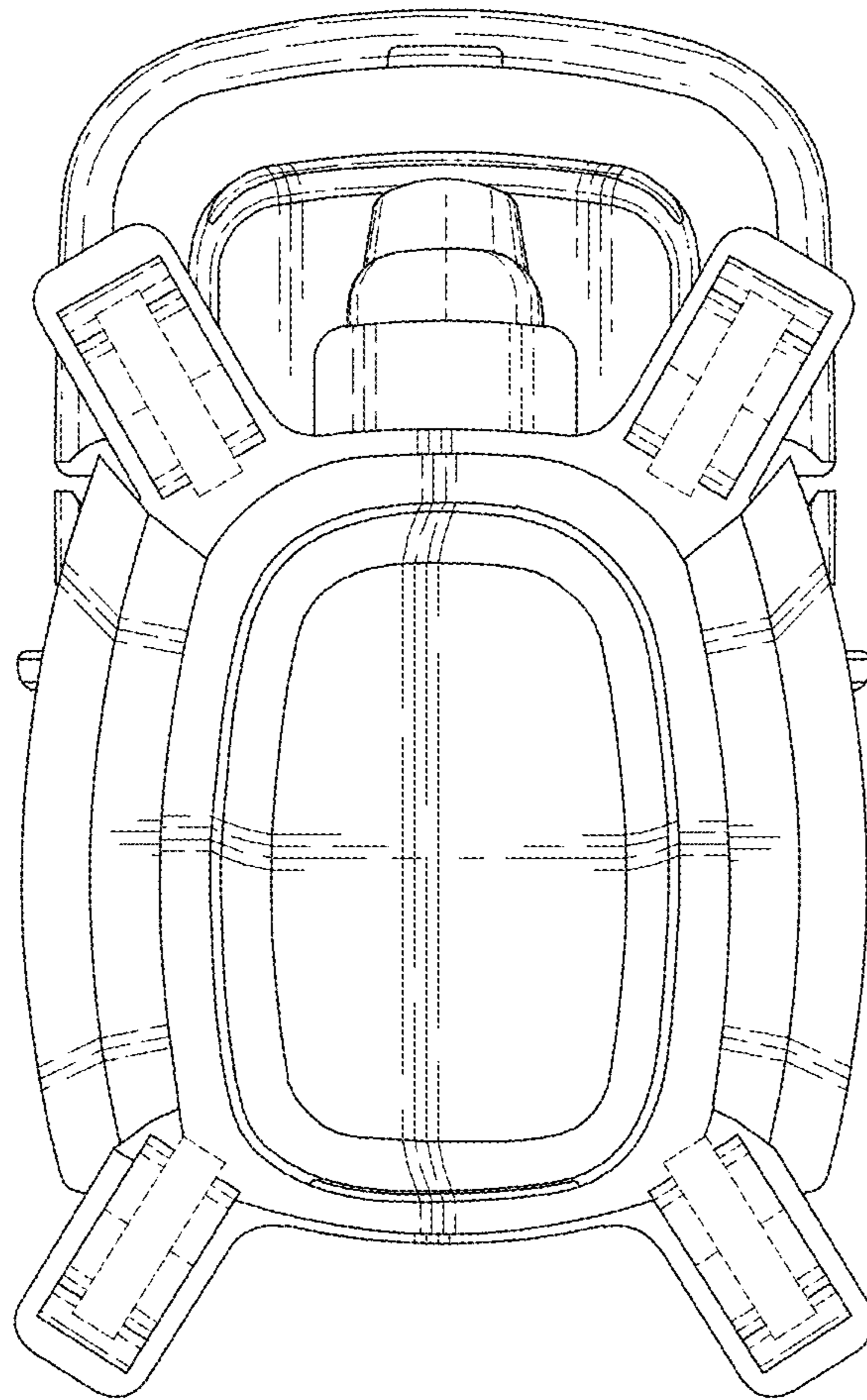




FIG. 8

