



US00D707359S

(12) **United States Design Patent**
Kim

(10) **Patent No.:** **US D707,359 S**
(45) **Date of Patent:** **** Jun. 17, 2014**

(54) **MEDICAL ULTRASOUND DEVICE**

(75) Inventor: **Yun-Su Kim**, Seoul (KR)

(73) Assignee: **Samsung Electronics Co., Ltd.**,
Suwon-si (KR)

(**) Term: **14 Years**

(21) Appl. No.: **29/426,898**

(22) Filed: **Jul. 11, 2012**

(30) **Foreign Application Priority Data**

Jan. 20, 2012 (KR) 30-2012-0003158

(51) **LOC (10) Cl.** **24-00**

(52) **U.S. Cl.**
USPC **D24/185**

(58) **Field of Classification Search**
USPC D24/185, 186, 144, 160, 167-169, 172,
D24/200, 158, 164; D34/12, 14; 312/22,
312/109, 209, 223.1, 286, 249.8, 249.12;
248/282.1; 600/437, 443, 459
See application file for complete search history.

(56) **References Cited**

U.S. PATENT DOCUMENTS

D395,085 S * 6/1998 Kenley et al. D24/169
D467,001 S * 12/2002 Buczek et al. D24/172
D492,034 S * 6/2004 Cruz et al. D24/169
D648,855 S * 11/2011 Smith et al. D24/158

D650,482 S * 12/2011 Kim et al. D24/158
D696,783 S * 12/2013 Chung et al. D24/185
2011/0152691 A1* 6/2011 Ikeda et al. 600/459

* cited by examiner

Primary Examiner — Robert M Spear

Assistant Examiner — Rhea Shields

(74) *Attorney, Agent, or Firm* — NSIP Law

(57) **CLAIM**

The ornamental design for a medical ultrasound device, as shown and described.

DESCRIPTION

FIG. 1 is a front perspective view of a medical ultrasound device;

FIG. 2 is a front view of the medical ultrasound device of FIG. 1;

FIG. 3 is a rear view of the medical ultrasound device of FIG. 1;

FIG. 4 is a left-side view of the medical ultrasound device of FIG. 1;

FIG. 5 is a right-side view of the medical ultrasound device of FIG. 1;

FIG. 6 is a top plan view of the medical ultrasound device of FIG. 1; and,

FIG. 7 is a bottom plan view of the medical ultrasound device of FIG. 1.

Features shown in broken lines in FIGS. 1, 2, 3, 4, 5, 6, and 7 form no part of the claimed design.

1 Claim, 7 Drawing Sheets

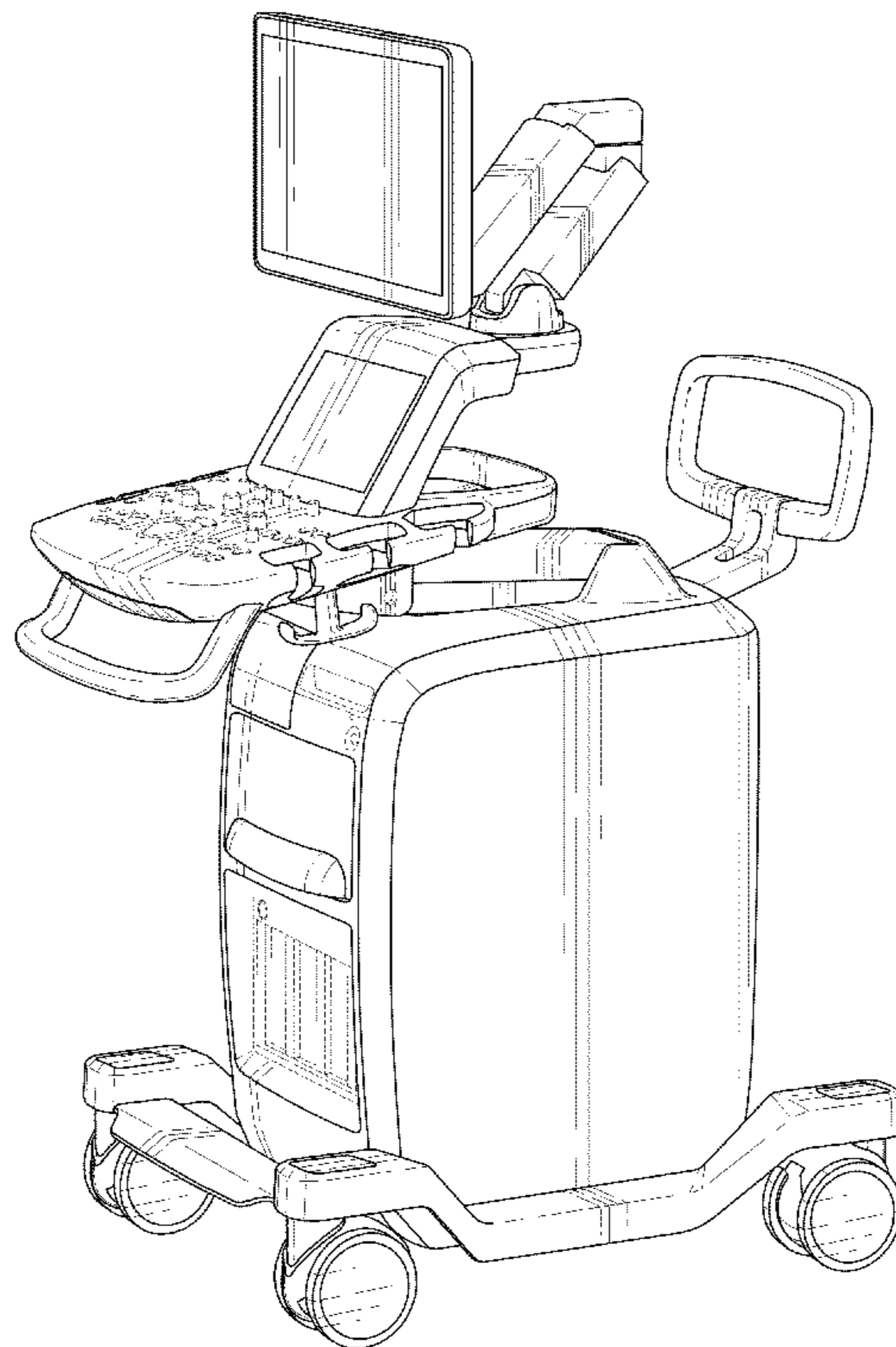


FIG. 1

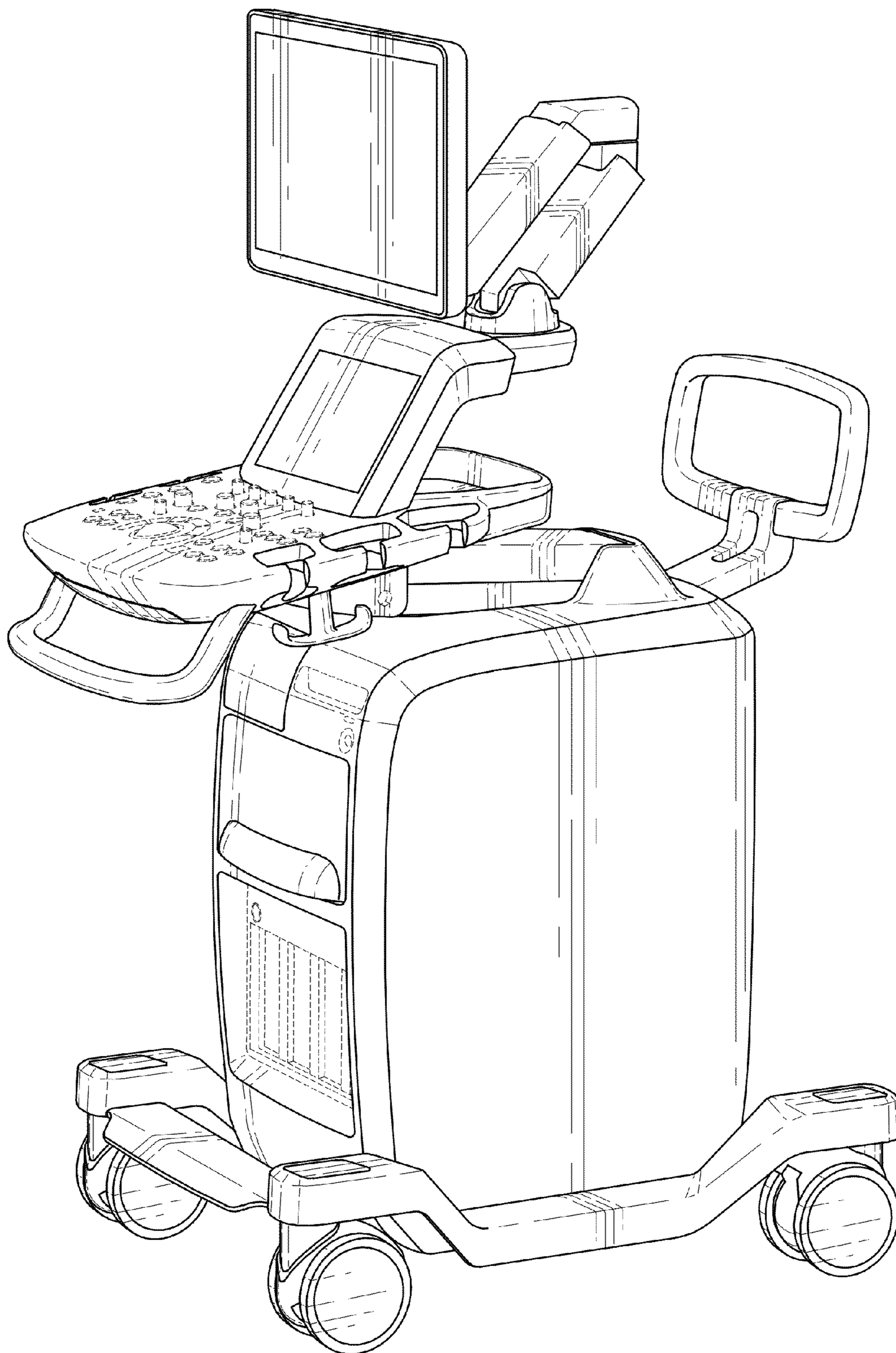


FIG. 2

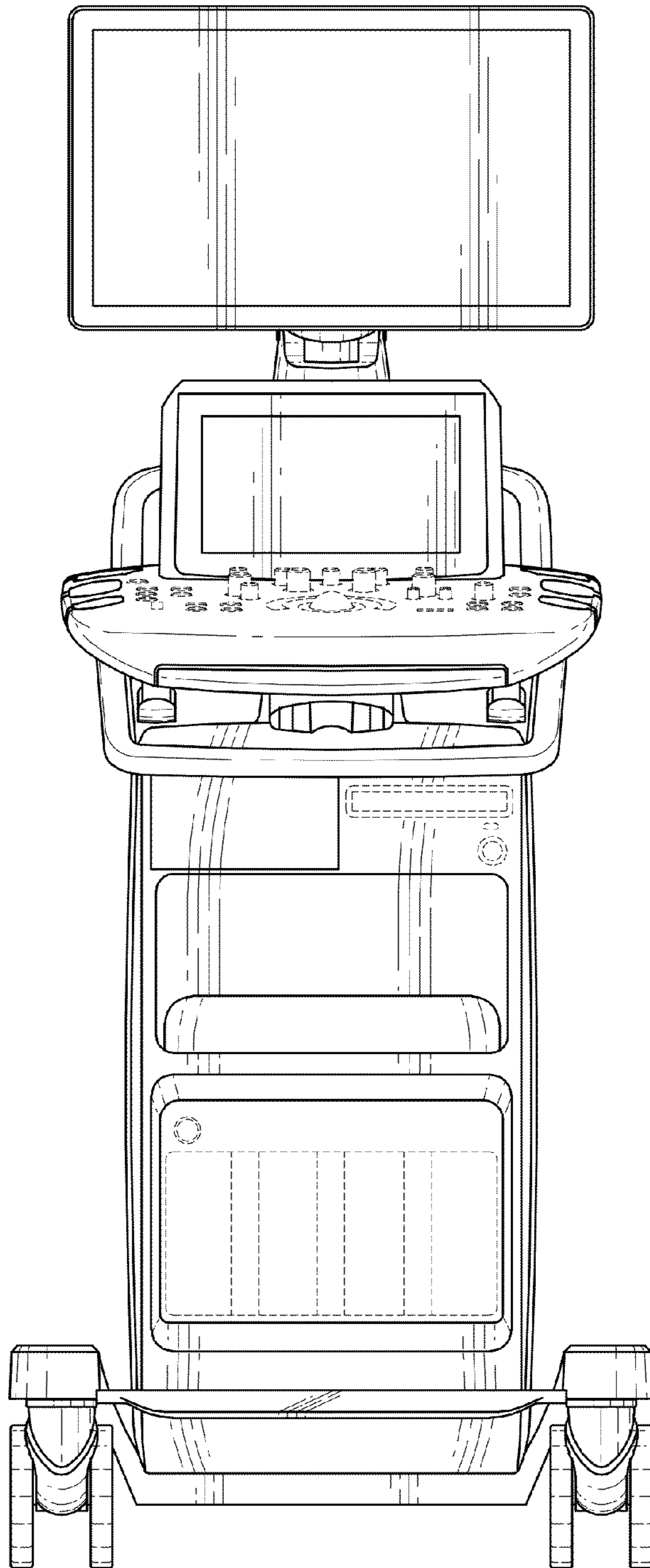


FIG. 3

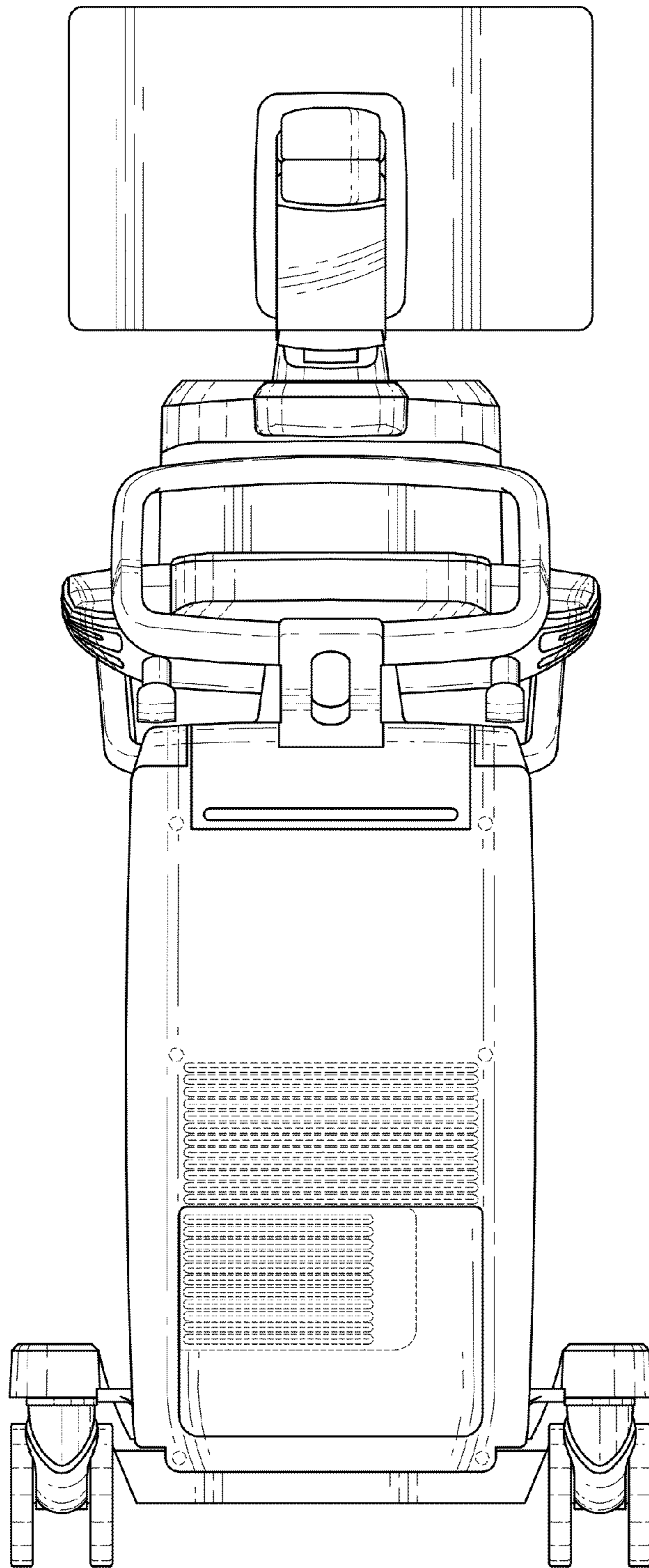


FIG. 4

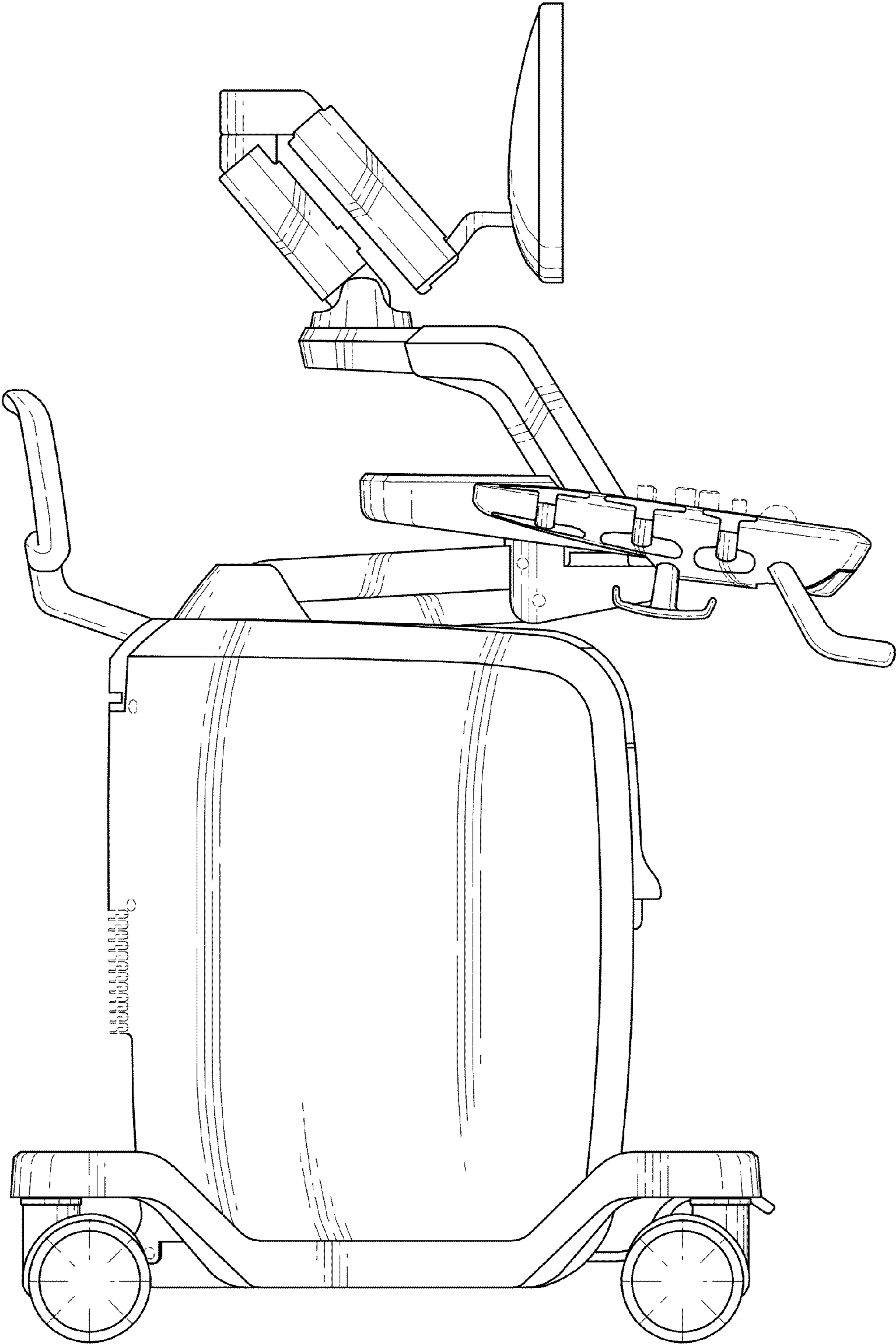


FIG. 5

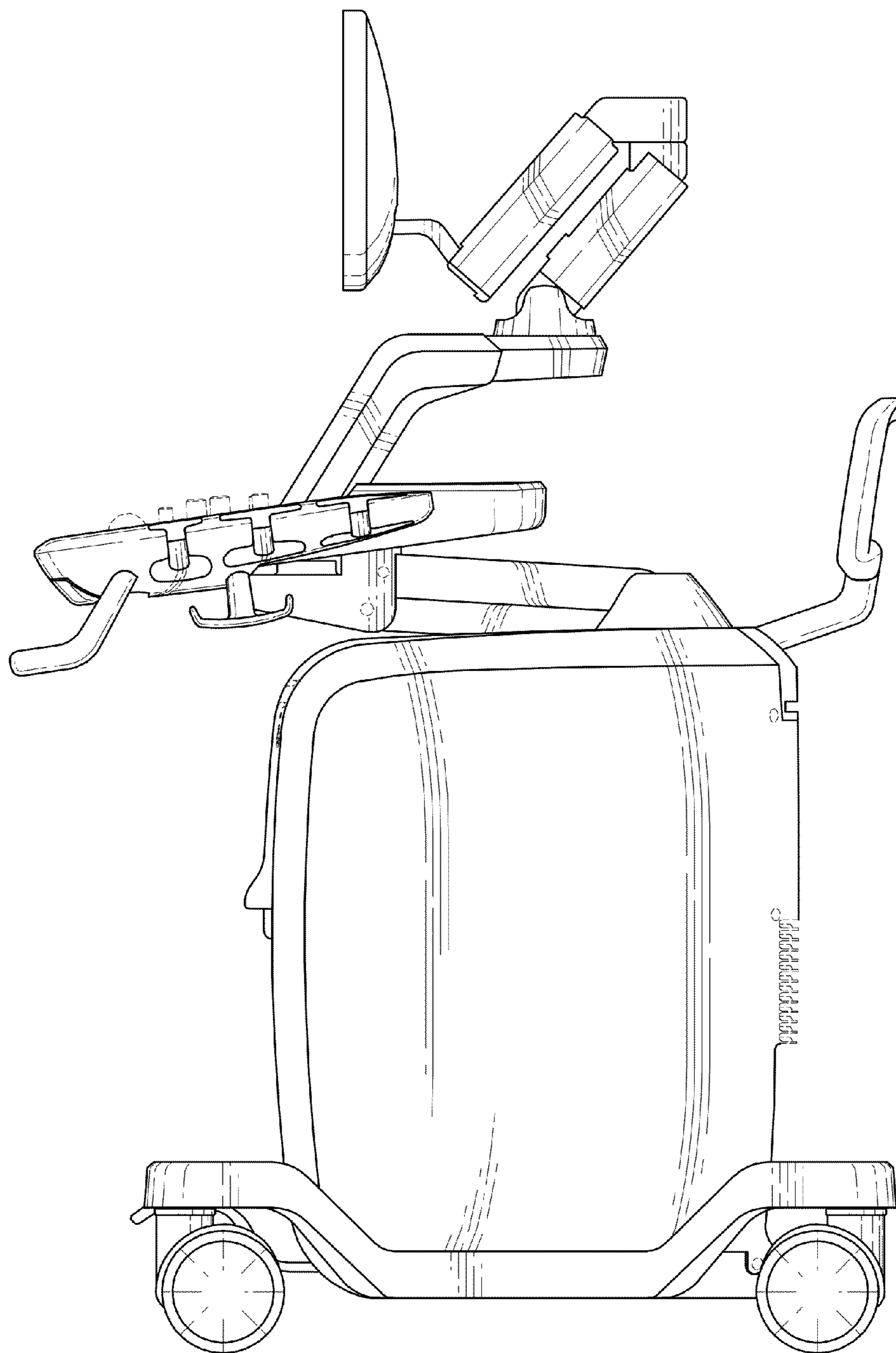


FIG. 6

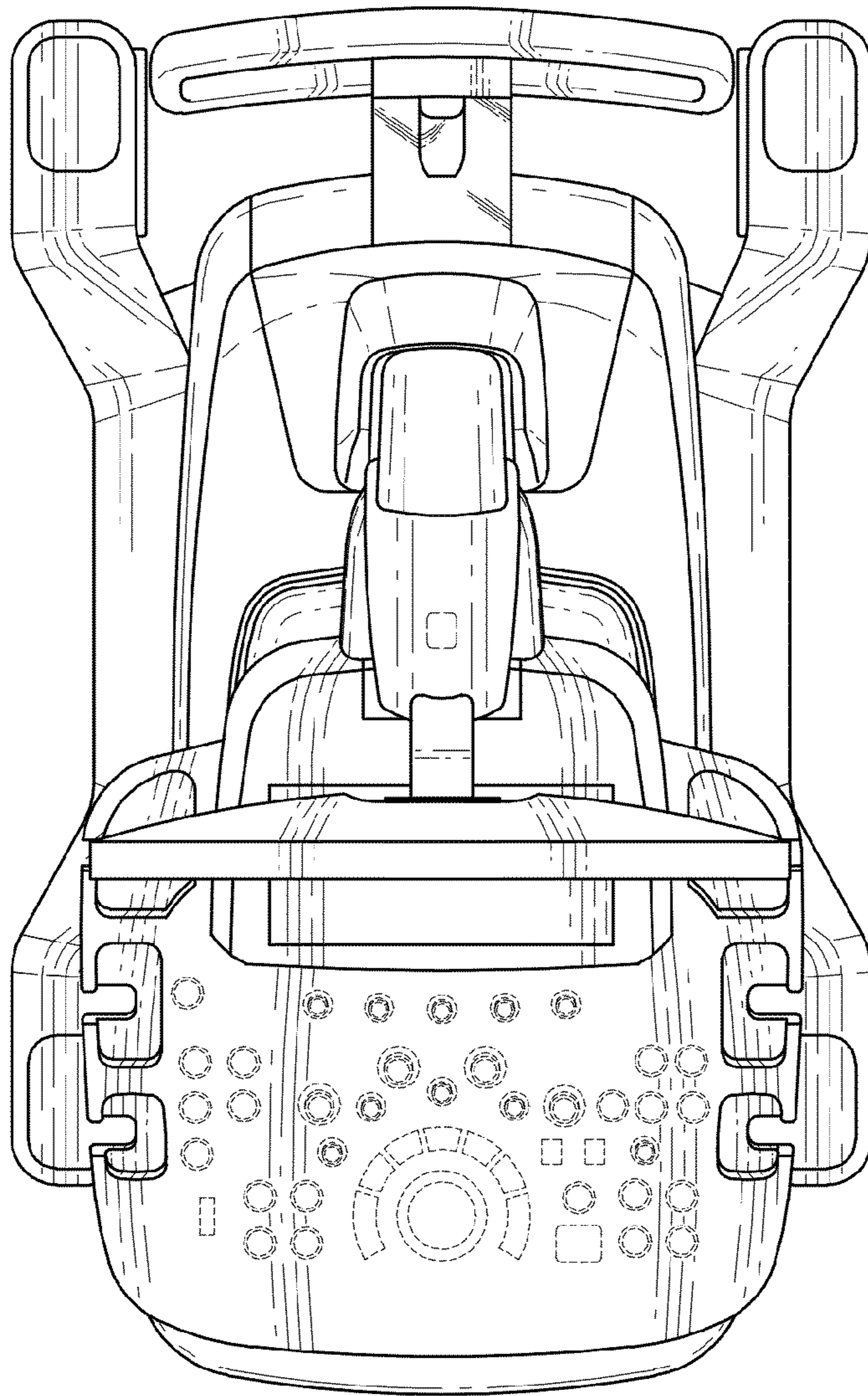


FIG. 7

