



US00D707352S

(12) **United States Design Patent**
Liu et al.

(10) **Patent No.:** **US D707,352 S**
(45) **Date of Patent:** **** Jun. 17, 2014**

(54) **MEDICAMENT DELIVERY DEVICE**

(75) Inventors: **Roger W. Liu**, San Diego, CA (US);
Ping Y. Yeh, San Diego, CA (US); **Lucio Giambattista**, East Hanover, NJ (US)

(73) Assignee: **Biogen IDEC MA Inc.**, Cambridge, MA (US)

(**) Term: **14 Years**

(21) Appl. No.: **29/393,456**

(22) Filed: **Jun. 3, 2011**

(51) **LOC (10) Cl.** **24-02**

(52) **U.S. Cl.**
USPC **D24/113**

(58) **Field of Classification Search**
USPC D24/112–114, 133, 186, 104, 130, 127;
606/181, 185; 604/232, 187, 158,
604/164.08, 192, 263, 163, 181, 184, 198,
604/227

See application file for complete search history.

(56) **References Cited**

U.S. PATENT DOCUMENTS

5,478,316	A	*	12/1995	Bitdinger et al.	604/135
D428,651	S		7/2000	Andersson et al.	
D450,835	S		11/2001	Liu et al.	
D453,569	S	*	2/2002	Himbert	D24/114
D479,748	S	*	9/2003	Tyce	D24/114
D481,120	S	*	10/2003	Hawley et al.	D24/114
D545,439	S	*	6/2007	Draudt et al.	D24/186
D549,325	S	*	8/2007	Schnitzler et al.	D24/133
D551,341	S	*	9/2007	Galbraith	D24/114

D555,609	S	*	11/2007	Galbraith	D24/114
D556,903	S	*	12/2007	Bloc	D24/114
D566,836	S	*	4/2008	Keane	D24/133
D619,702	S	*	7/2010	Galbraith	D24/114
D634,422	S	*	3/2011	El-Gad et al.	D24/113
7,896,843	B2	*	3/2011	Kriesel et al.	604/151

FOREIGN PATENT DOCUMENTS

WO	WO 2009/010591	A2	1/2009
WO	WO 2010/066592	A2	6/2010

* cited by examiner

Primary Examiner — David Muller

(74) *Attorney, Agent, or Firm* — Sterne, Kessler, Goldstein & Fox P.L.L.C.

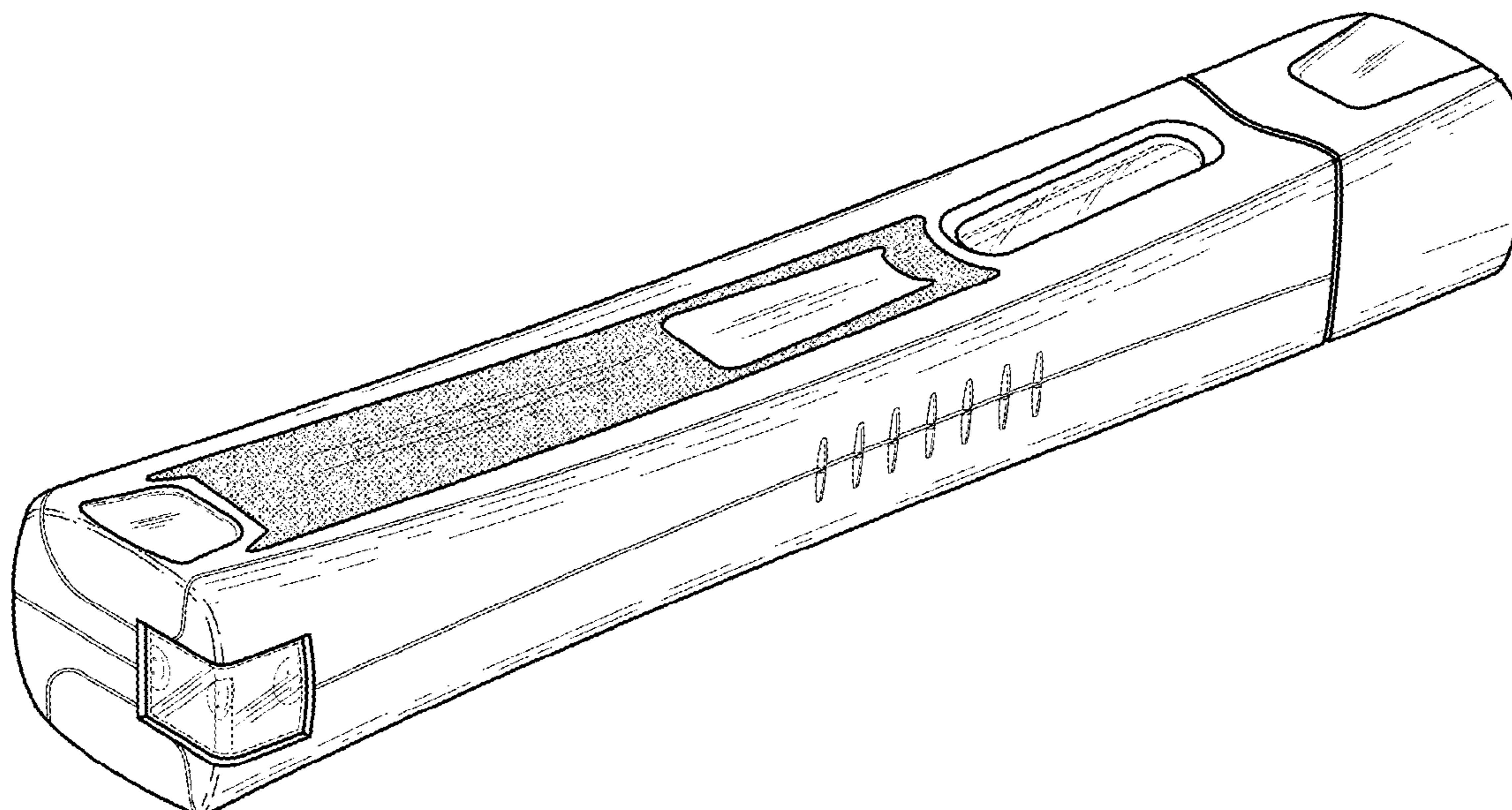
(57) **CLAIM**

The ornamental design for a medicament delivery device, as shown and described.

DESCRIPTION

FIG. 1 is a perspective view of a medicament delivery device showing our new design;
FIG. 2 is another perspective view thereof;
FIG. 3 is an end view thereof;
FIG. 4 is another end view thereof;
FIG. 5 is a side view thereof;
FIG. 6 is another side view thereof;
FIG. 7 is another side view thereof; and,
FIG. 8 is another side view thereof.
The broken lines in the figures show portions of the medicament delivery device which form no part of the claimed design.

1 Claim, 3 Drawing Sheets



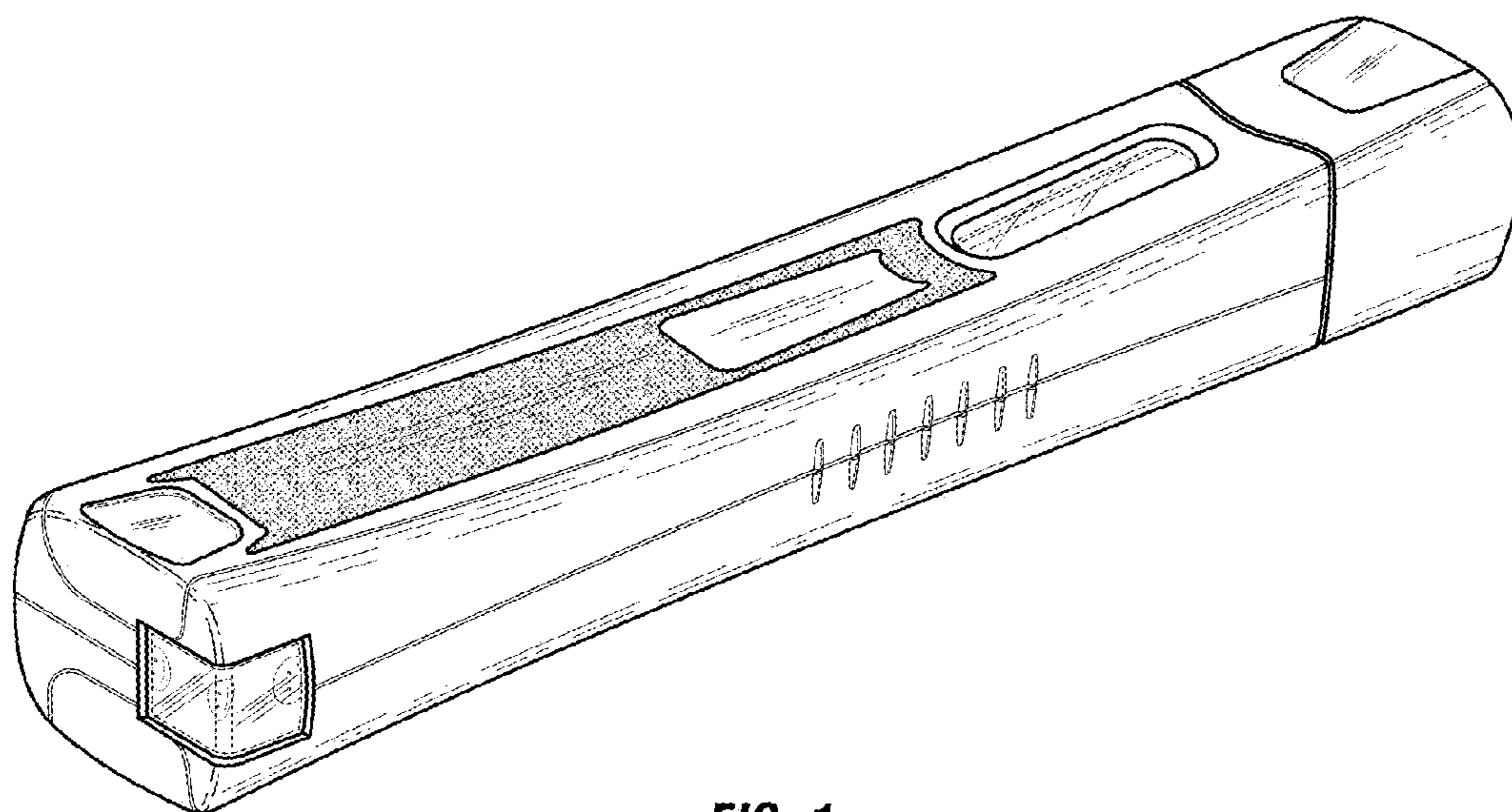


FIG. 1

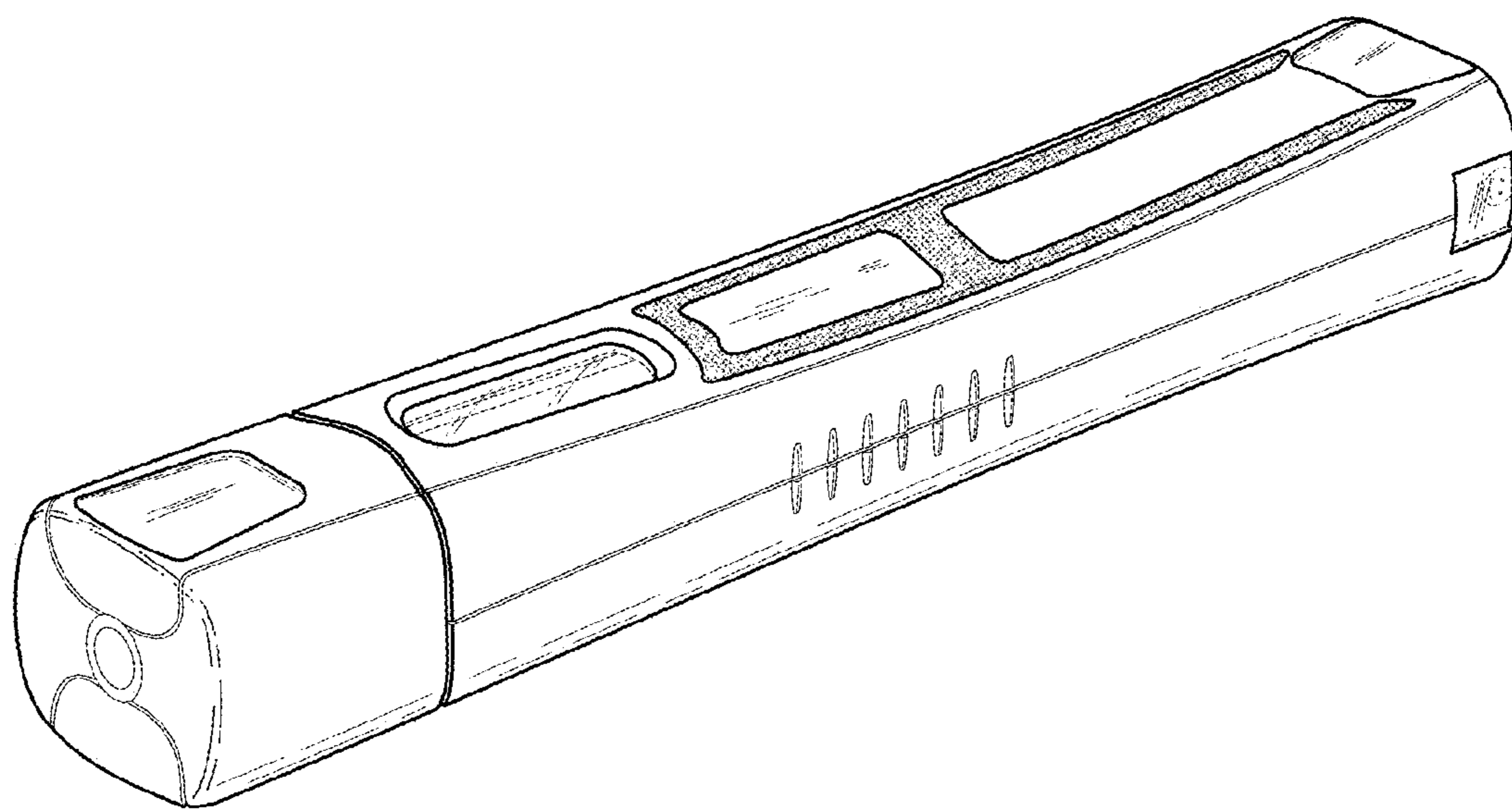


FIG. 2

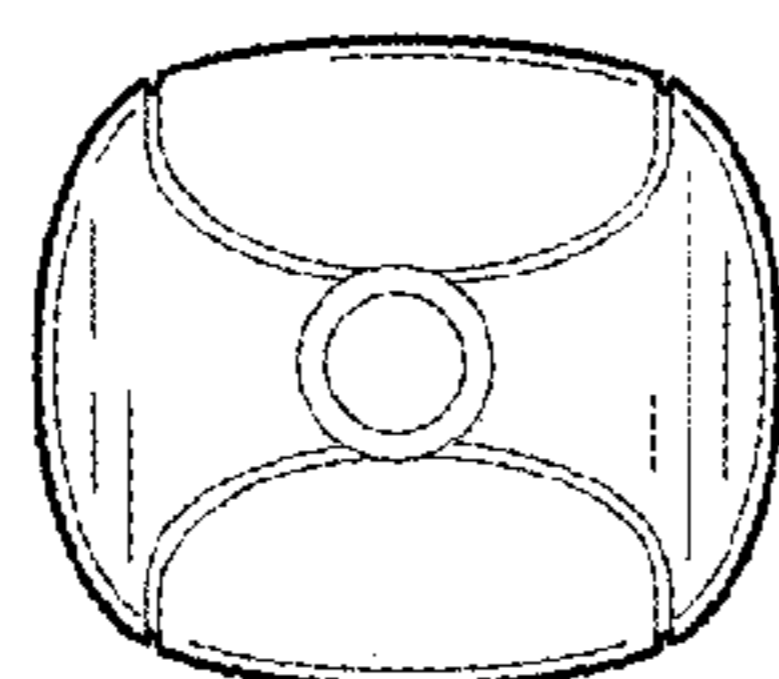


FIG. 3

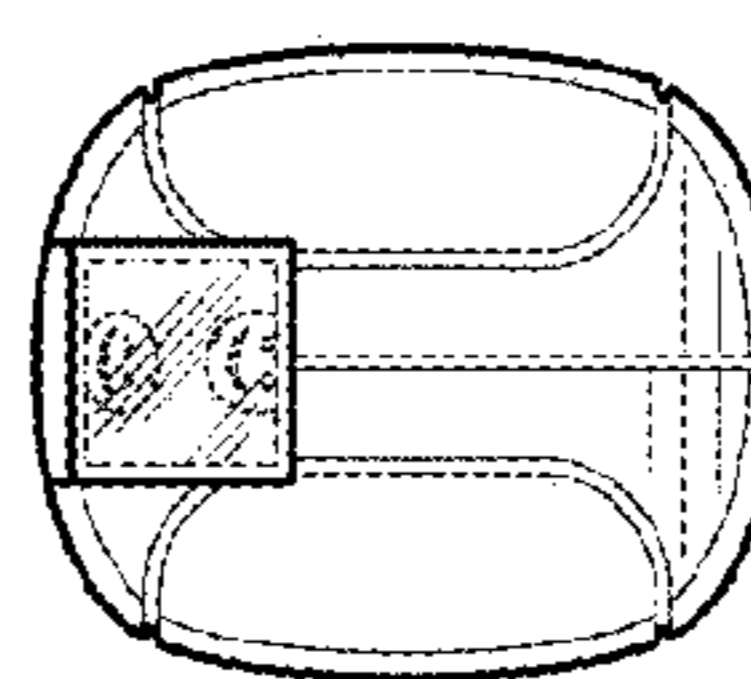


FIG. 4

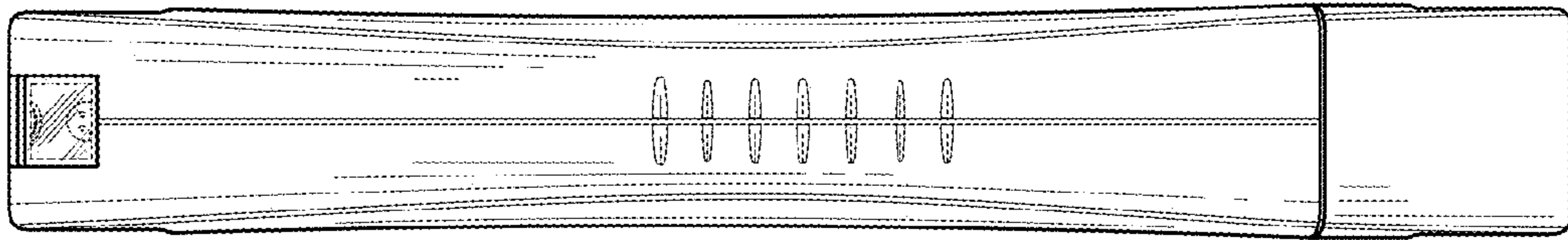


FIG. 5

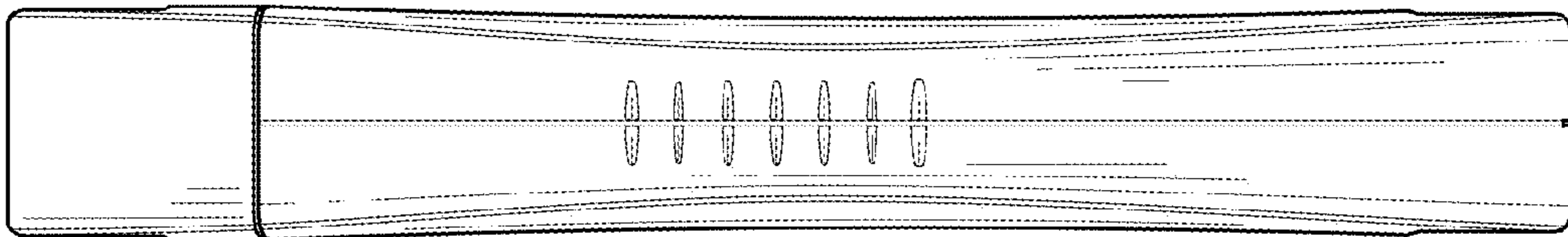


FIG. 6

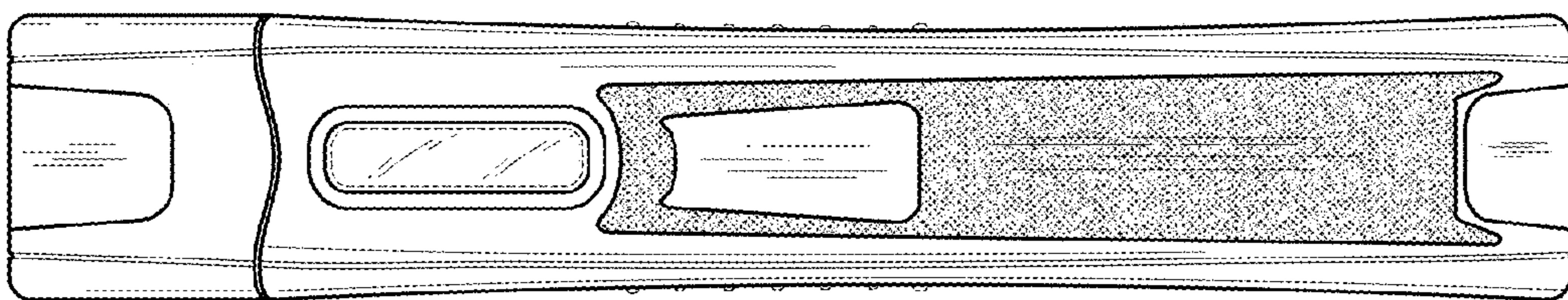


FIG. 7

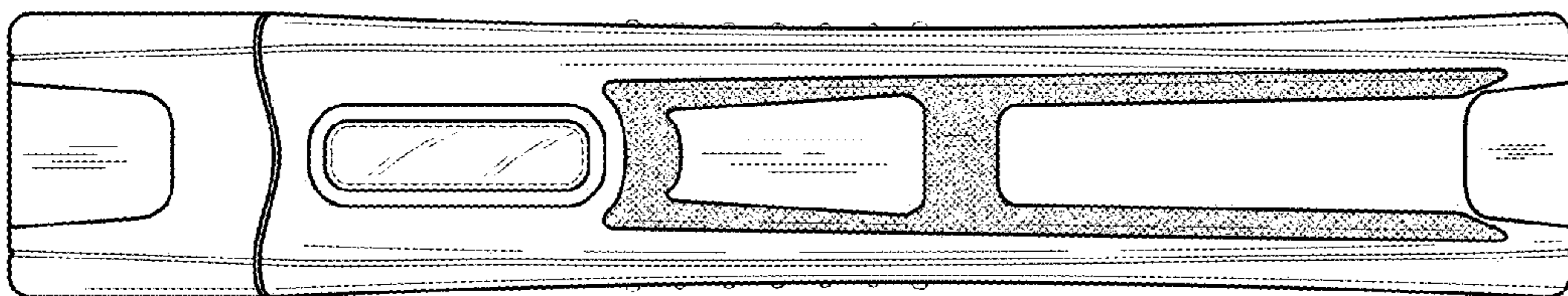


FIG. 8