



US00D707348S

(12) **United States Design Patent**
Pan

(10) **Patent No.:** **US D707,348 S**
(45) **Date of Patent:** **** Jun. 17, 2014**

- (54) **FAN BLADE IRON**
- (71) Applicant: **Air Cool Industrial Co., Ltd.**, Taichung (TW)
- (72) Inventor: **Peter Pan**, Taichung (TW)
- (73) Assignee: **Air Cool Industrial Co., Ltd.**, Taichung (TW)
- (**) Term: **14 Years**
- (21) Appl. No.: **29/437,443**
- (22) Filed: **Nov. 16, 2012**
- (51) **LOC (10) Cl.** **23-04**
- (52) **U.S. Cl.**
USPC **D23/411**
- (58) **Field of Classification Search**
CPC F04D 25/088; F04D 29/34; F04D 29/322;
F04D 29/384; F01D 5/3015; F01D 5/323;
F01D 5/30; F01D 25/28; F05D 2250/70;
F05D 2240/80; F24F 2221/14; B63H 1/20;
F21V 21/104; F21V 33/0096
USPC D23/411-414, 324, 331, 343, 385,
D23/370-384, 387, 499; D8/323, 327, 349,
D8/354, 373, 380-387, 394, 397, 398;
416/5, 170 R, 214 R, 184, 206, 207,
416/210 R, 220 R, 244 R, 248; 16/265, 382,
16/388, 389; 392/364; 248/188, 243, 4,
248/398
See application file for complete search history.

(56) **References Cited**

U.S. PATENT DOCUMENTS

D202,877 S *	11/1965	Morse et al.	D8/401
D376,004 S *	11/1996	Tsuji	D23/377
D406,332 S *	3/1999	Liu	D23/411
D420,125 S *	2/2000	Johnson	D23/411
6,049,946 A *	4/2000	Cress et al.	16/240

D434,133 S *	11/2000	Johnson	D23/411
6,149,388 A *	11/2000	Liao	416/210 R
D464,132 S *	10/2002	Campbell	D23/411
6,821,091 B2 *	11/2004	Lee	416/210 R
6,863,499 B2 *	3/2005	Pearce	416/210 R
D510,430 S *	10/2005	Tai	D23/411
D525,700 S *	7/2006	Ertze	D23/411
D551,337 S *	9/2007	Pickett	D23/411
D559,378 S *	1/2008	Frampton et al.	D23/411
D568,983 S *	5/2008	Pan	D23/411
D570,993 S *	6/2008	Hidalgo	D23/411
D572,815 S *	7/2008	Hidalgo	D23/411
D594,549 S *	6/2009	Pan	D23/411
D599,469 S *	9/2009	Yang	D23/411
D599,901 S *	9/2009	Yang	D23/411
7,857,592 B2 *	12/2010	Bucher et al.	416/210 R
2005/0058503 A1 *	3/2005	Li	403/349
2007/0258821 A1 *	11/2007	Pearce	416/210 R
2009/0004014 A1 *	1/2009	Wang	416/210 R

* cited by examiner

Primary Examiner — Susan Bennett Hattan

Assistant Examiner — Marie Fast Horse

(74) *Attorney, Agent, or Firm* — Ming Chow; Sinorica, LLC

(57) **CLAIM**

I claim the ornamental design for a fan blade iron, as shown and described.

DESCRIPTION

FIG. 1 is a front perspective view of a fan blade iron showing my new design;

FIG. 2 is a front elevational view thereof;

FIG. 3 is a rear elevational view thereof.

FIG. 4 is a left side elevational view thereof;

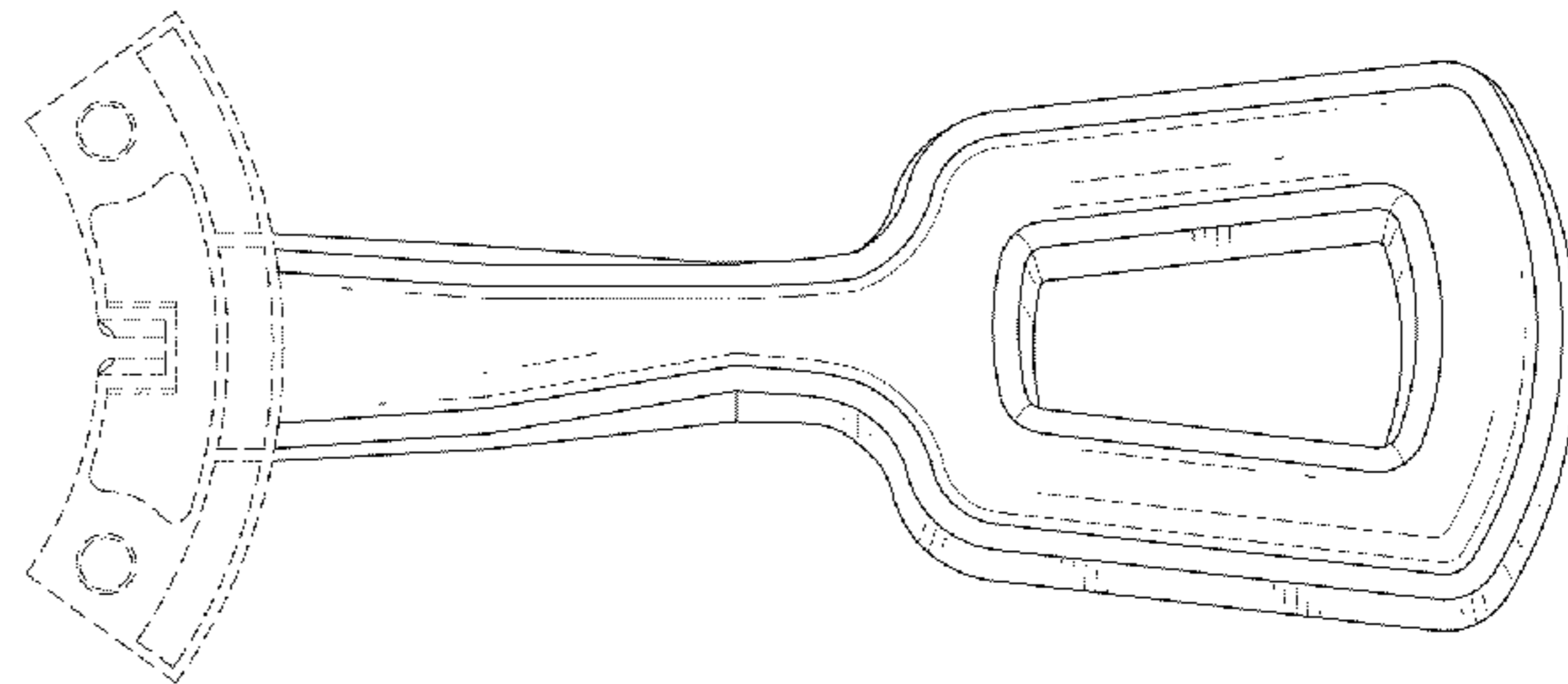
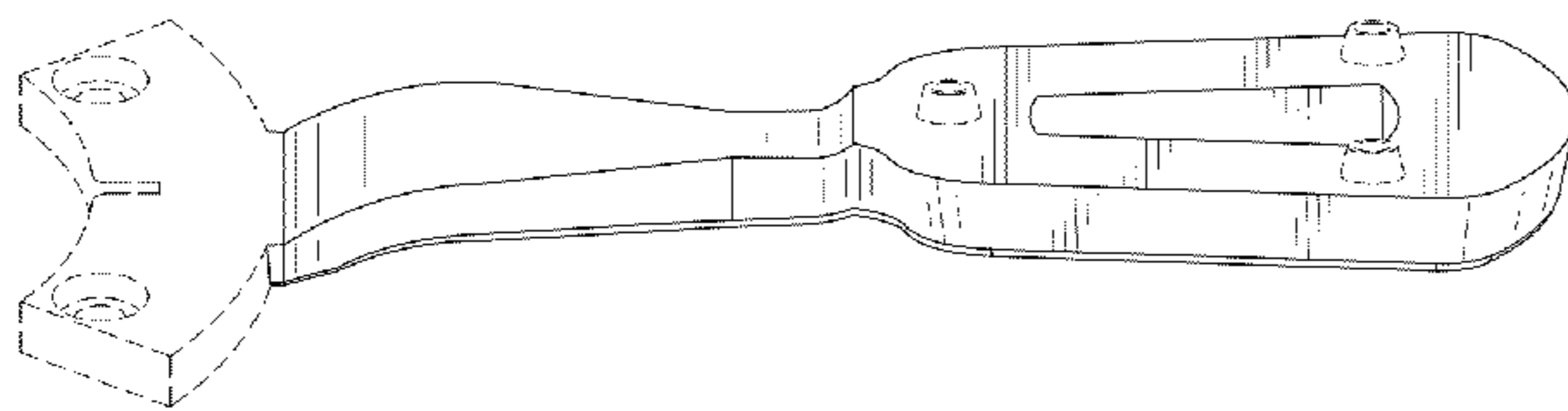
FIG. 5 is a right side elevational view thereof;

FIG. 6 is a top plan view thereof; and,

FIG. 7 is a bottom plan view thereof.

The broken lines in the drawings depict environmental subject matter only and form no part of the claimed design.

1 Claim, 4 Drawing Sheets



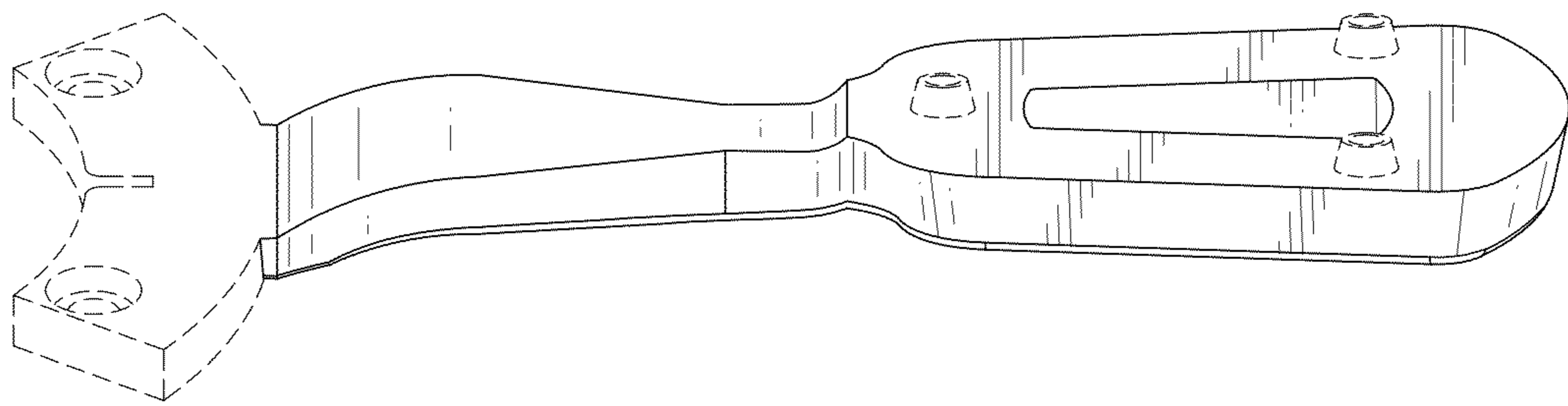


FIG. 1

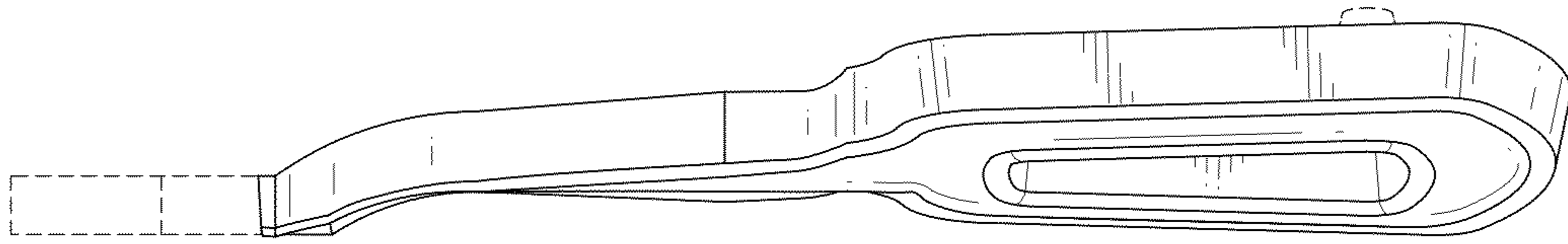


FIG. 2

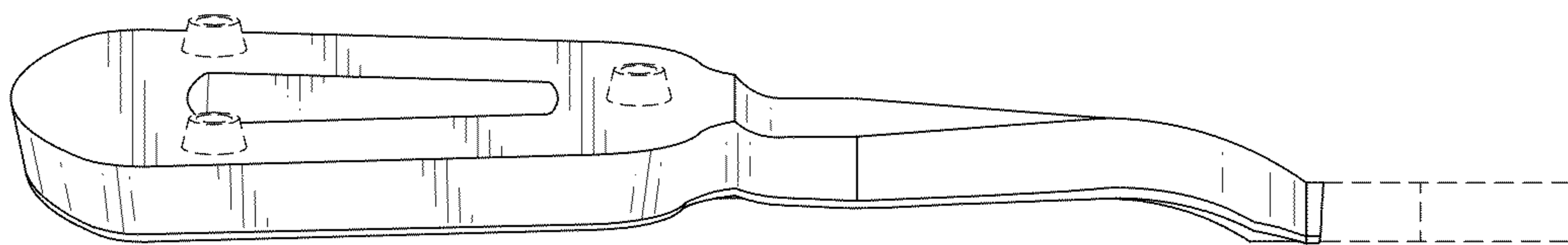


FIG. 3

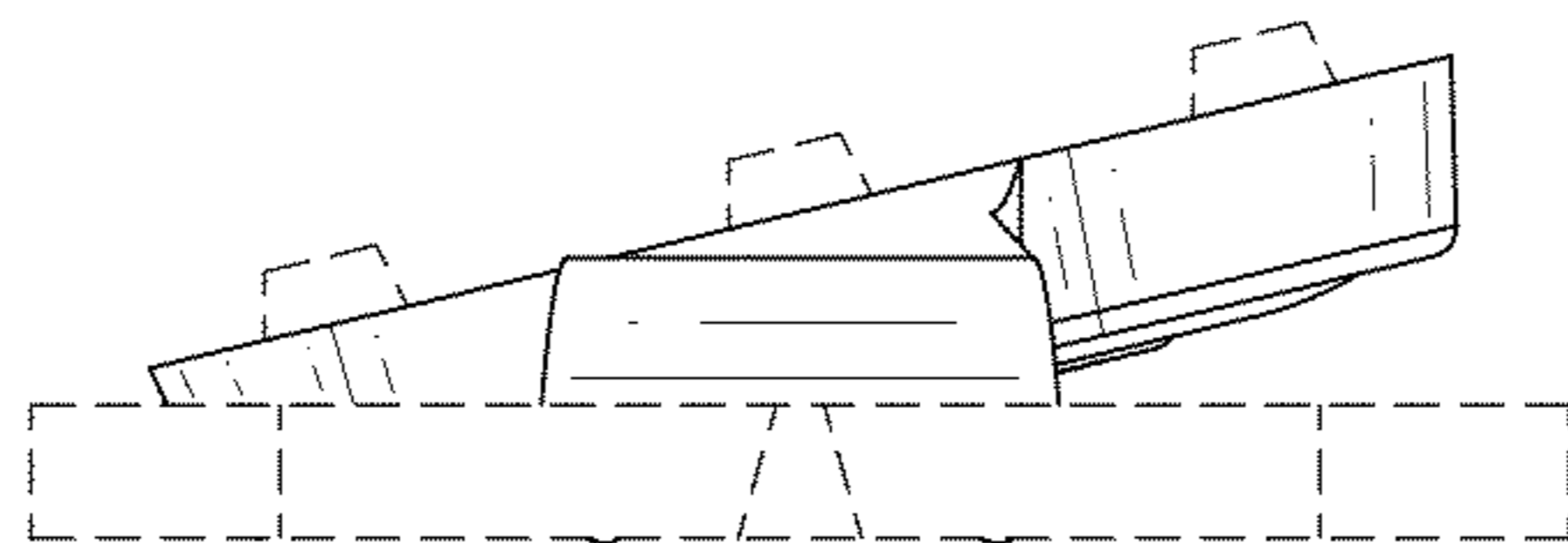


FIG. 4

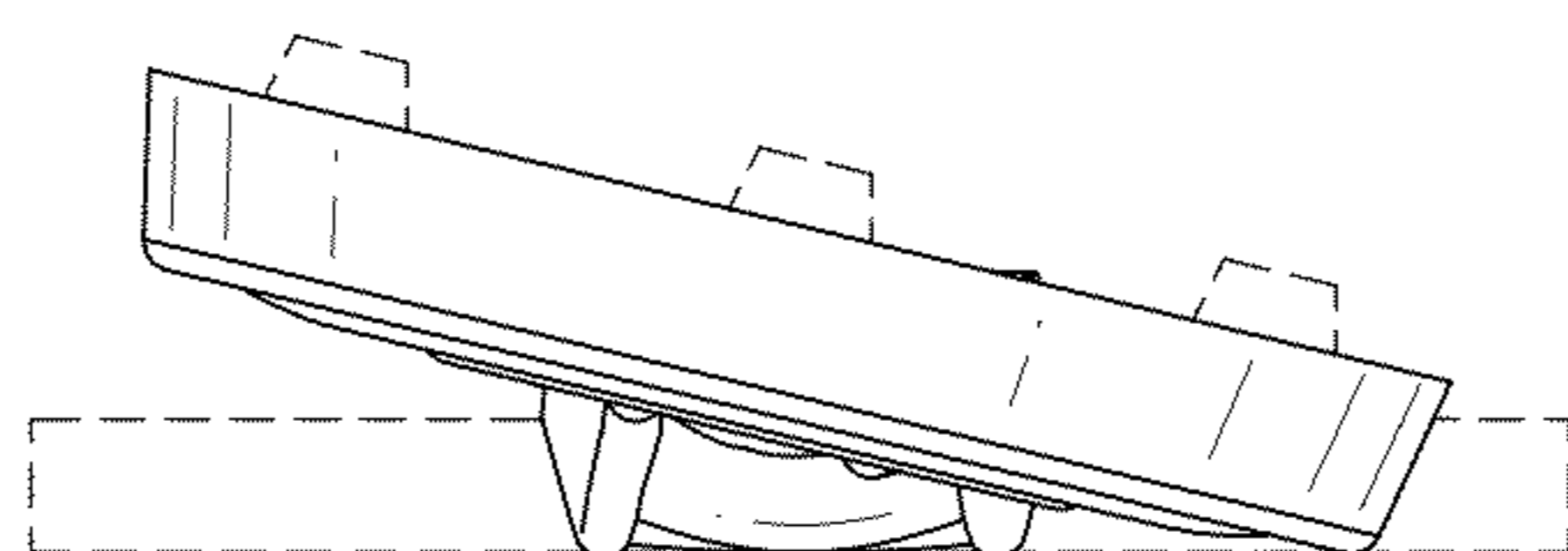


FIG. 5

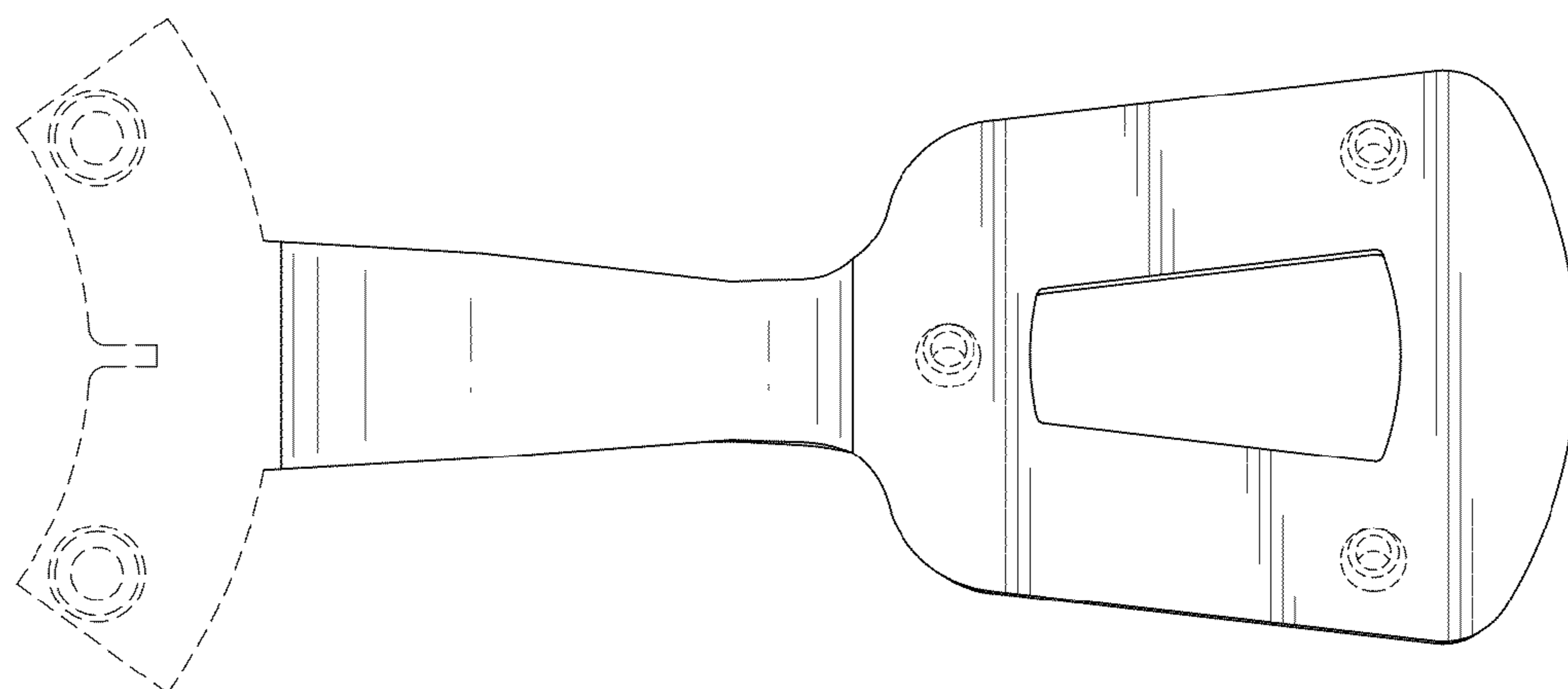


FIG. 6

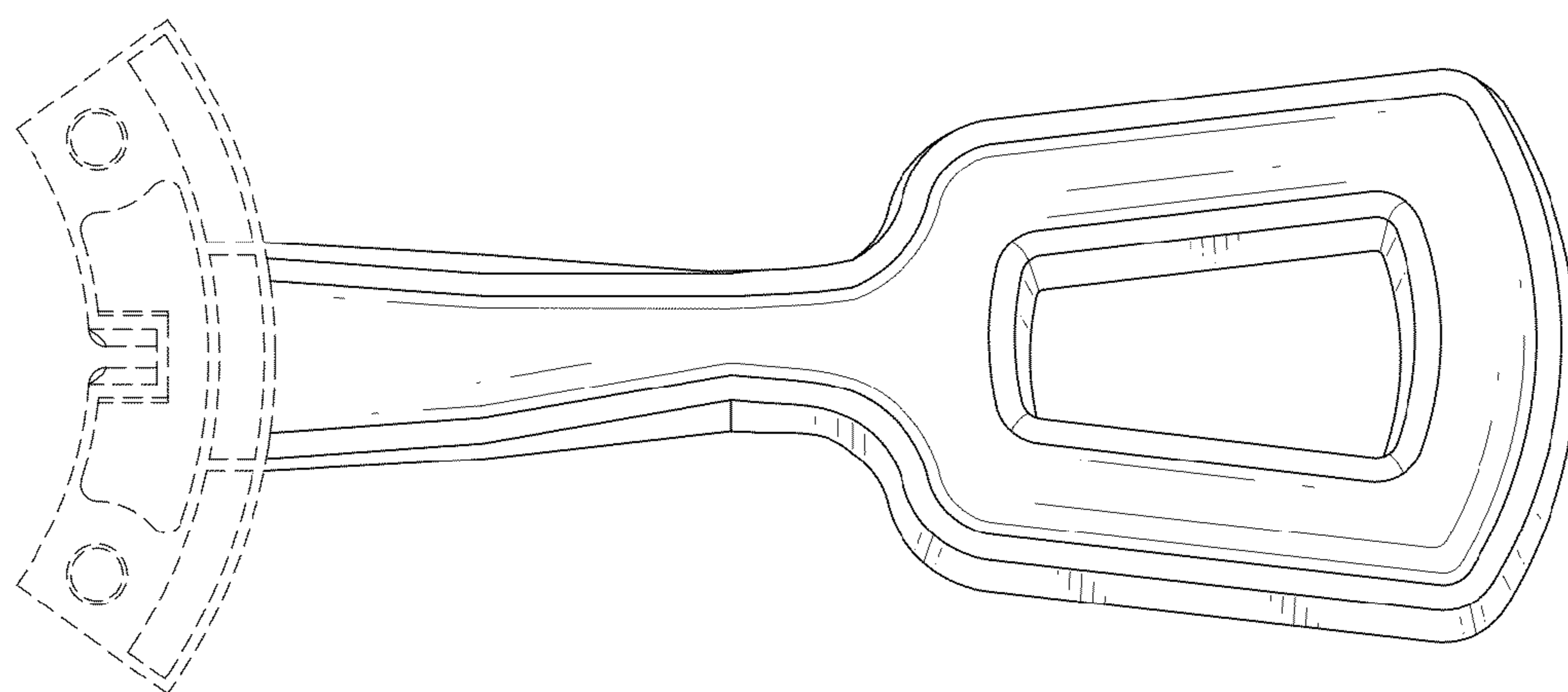


FIG. 7