



US00D707347S

(12) **United States Design Patent**
Wang

(10) **Patent No.:** **US D707,347 S**
(45) **Date of Patent:** **** Jun. 17, 2014**

- (54) **FAN BLADE IRON**
- (71) Applicant: **Air Cool Industrial Co., Ltd.**, Taichung (TW)
- (72) Inventor: **Cliff Wang**, Taichung (TW)
- (73) Assignee: **Air Cool Industrial Co., Ltd.**, Taichung (TW)
- (**) Term: **14 Years**
- (21) Appl. No.: **29/437,433**
- (22) Filed: **Nov. 16, 2012**
- (51) **LOC (10) Cl.** **23-04**
- (52) **U.S. Cl.**
USPC **D23/411**
- (58) **Field of Classification Search**
CPC F04D 25/088; F04D 29/34; F04D 29/322;
F04D 29/384; F01D 5/3015; F01D 5/323;
F01D 5/30; F01D 25/28; F05D 2250/70;
F05D 2240/80; F24F 2221/14; B63H 1/20;
F21V 21/104; F21V 33/0096
USPC D23/411-414, 324, 331, 343, 385,
D23/370-384, 387, 499; D8/323, 327, 349,
D8/354, 373, 380-387, 394, 397, 398;
416/5, 170 R, 214 R, 184, 206, 207,
416/210 R, 220 R, 244 R, 248; 16/265, 382,
16/388, 389; 392/364; 248/188, 243, 4,
248/398
See application file for complete search history.

(56) **References Cited**

U.S. PATENT DOCUMENTS

- D202,877 S * 11/1965 Morse et al. D8/401
- D376,004 S * 11/1996 Tsuji D23/377
- D406,332 S * 3/1999 Liu D23/411
- D420,125 S * 2/2000 Johnson D23/411
- 6,049,946 A * 4/2000 Cress et al. 16/240

- D434,133 S * 11/2000 Johnson D23/411
- 6,149,388 A * 11/2000 Liao 416/210 R
- D464,132 S * 10/2002 Campbell D23/411
- 6,821,091 B2 * 11/2004 Lee 416/210 R
- 6,863,499 B2 * 3/2005 Pearce 416/210 R
- D510,430 S * 10/2005 Tai D23/411
- D525,700 S * 7/2006 Ertze D23/411
- D551,337 S * 9/2007 Pickett D23/411
- D559,378 S * 1/2008 Frampton et al. D23/411
- D568,983 S * 5/2008 Pan D23/411
- D570,993 S * 6/2008 Hidalgo D23/411
- D572,815 S * 7/2008 Hidalgo D23/411
- D594,549 S * 6/2009 Pan D23/411
- D599,469 S * 9/2009 Yang D23/411
- D599,901 S * 9/2009 Yang D23/411
- 7,857,592 B2 * 12/2010 Bucher et al. 416/210 R
- 2005/0058503 A1 * 3/2005 Li 403/349
- 2007/0258821 A1 * 11/2007 Pearce 416/210 R
- 2009/0004014 A1 * 1/2009 Wang 416/210 R

* cited by examiner

Primary Examiner — Susan Bennett Hattan

Assistant Examiner — Marie Fast Horse

(74) *Attorney, Agent, or Firm* — Ming Chow; Sinorica, LLC

(57) **CLAIM**

I claim the ornamental design for a fan blade iron, as shown and described.

DESCRIPTION

FIG. 1 is a front perspective view of a fan blade iron showing my new design;

FIG. 2 is a front elevational view thereof;

FIG. 3 is a rear elevational view thereof.

FIG. 4 is a left side elevational view thereof;

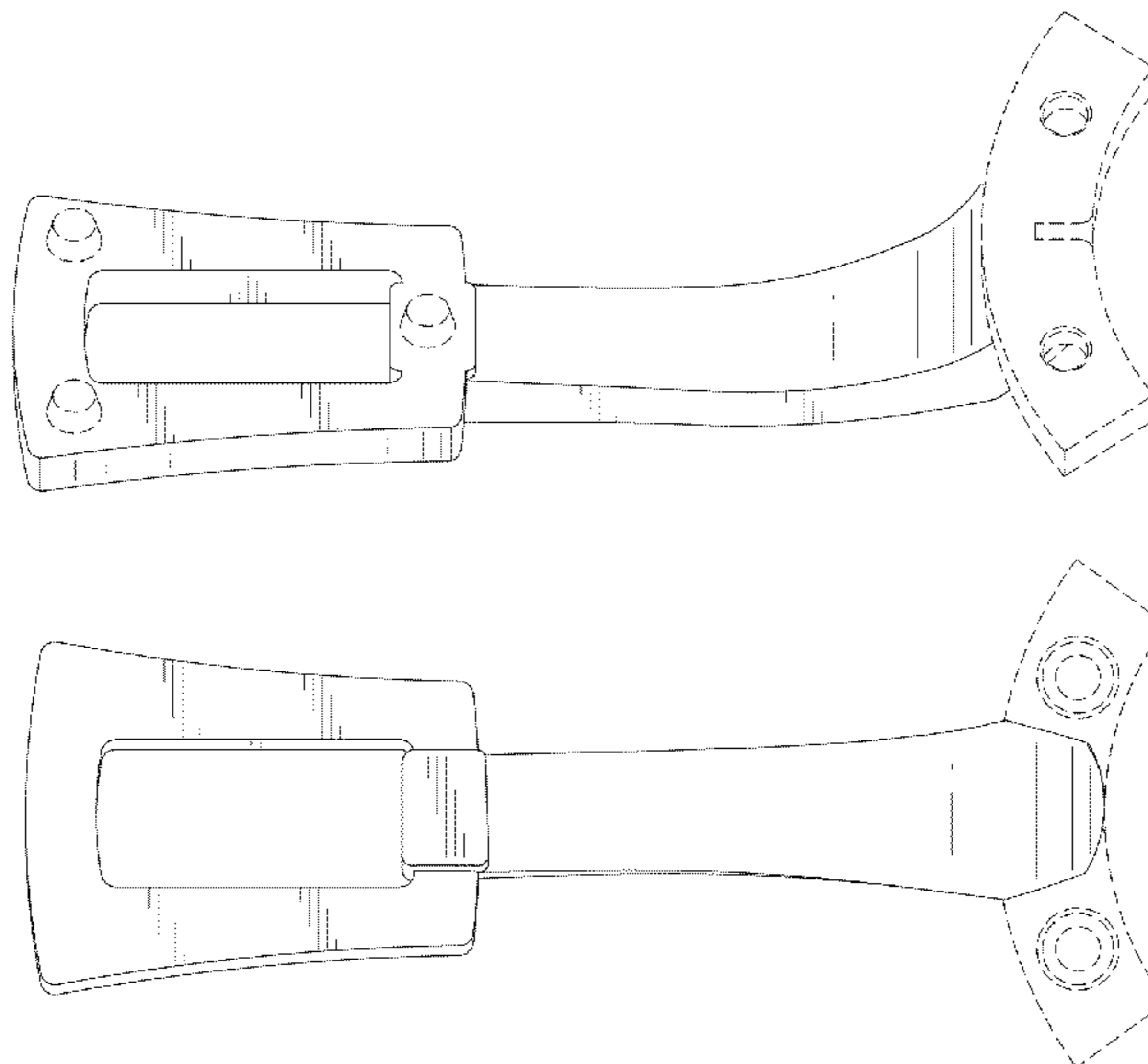
FIG. 5 is a right side elevational view thereof;

FIG. 6 is a top plan view thereof; and,

FIG. 7 is a bottom plan view thereof.

The broken lines in the drawings depict environmental subject matter only and form no part of the claimed design.

1 Claim, 4 Drawing Sheets



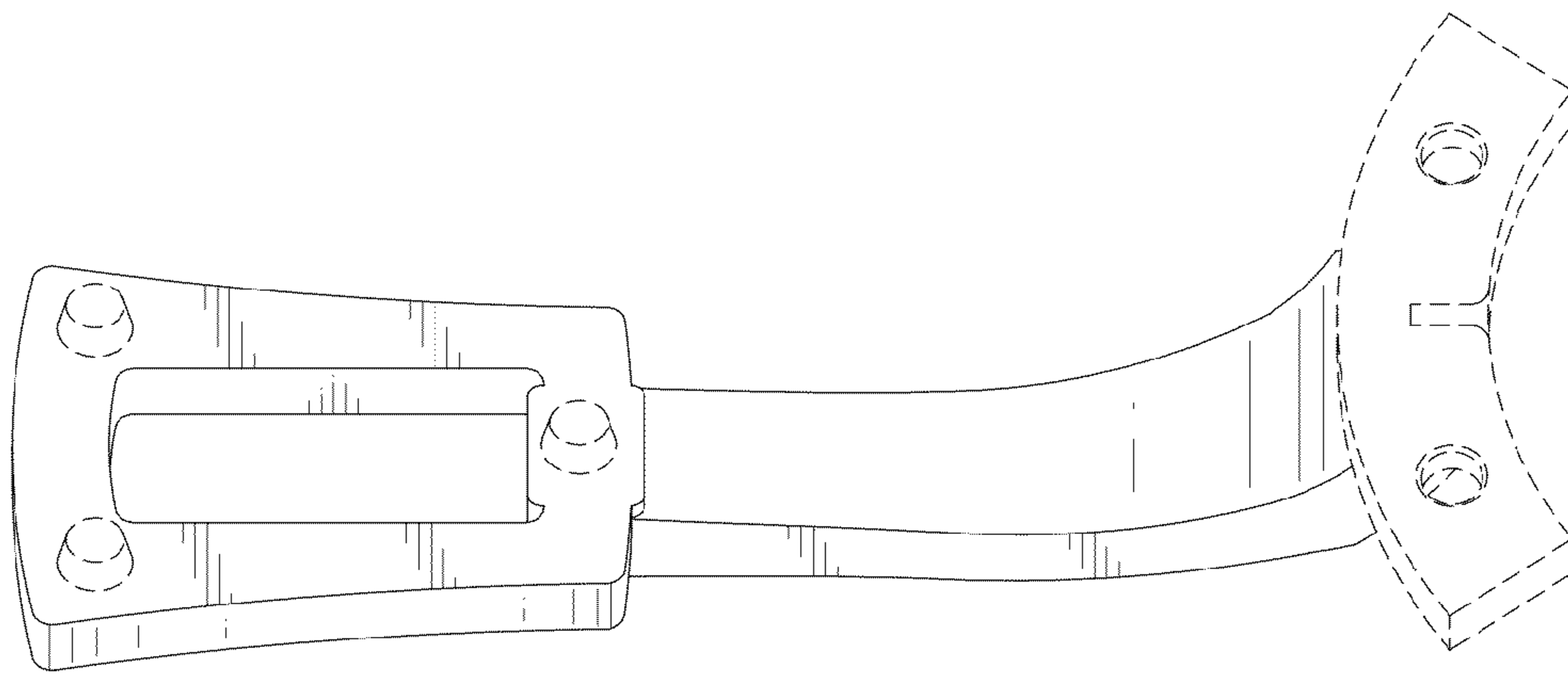


FIG. 1

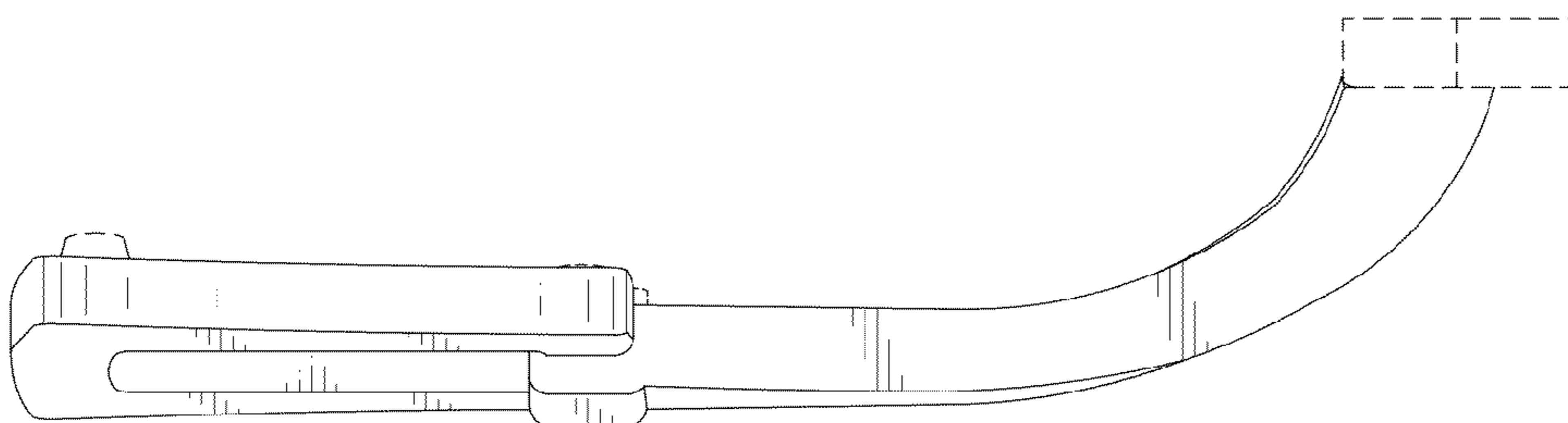


FIG. 2

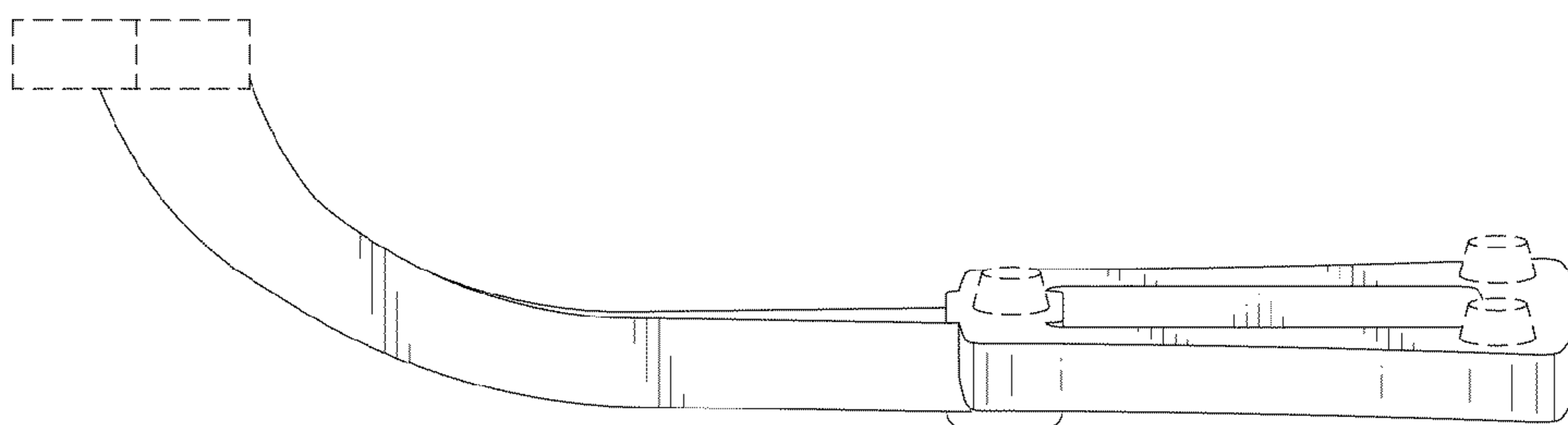


FIG. 3

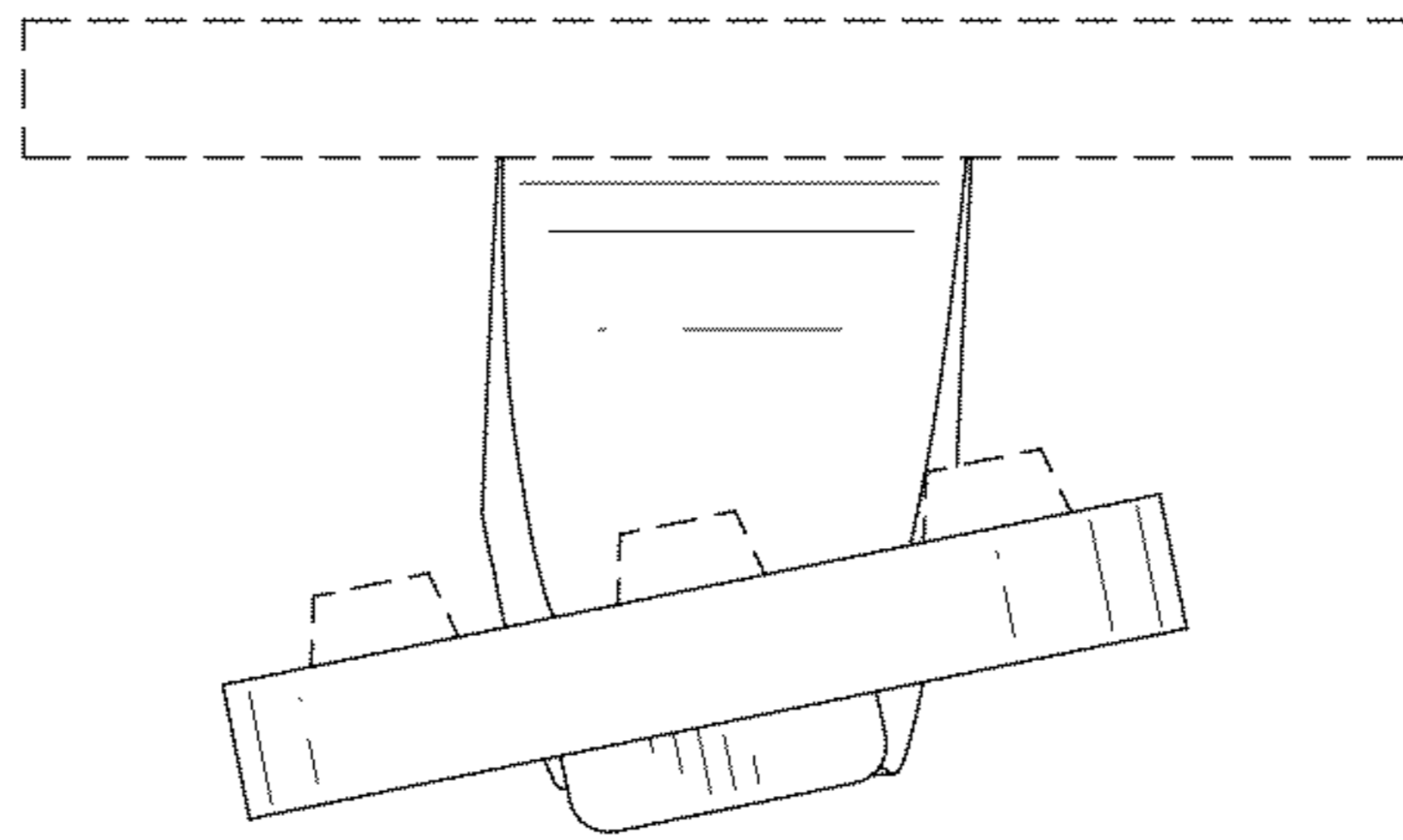


FIG. 4

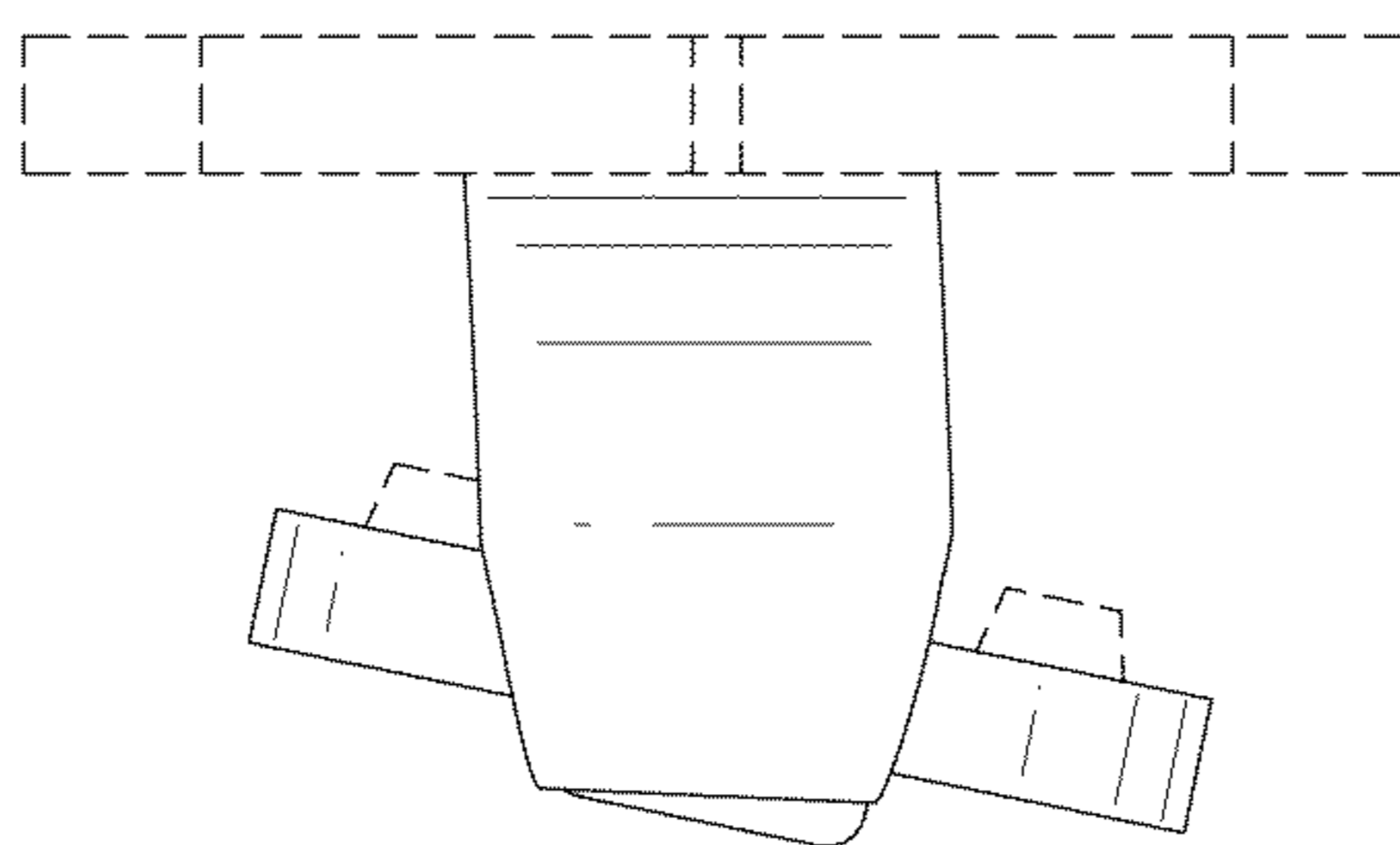


FIG. 5

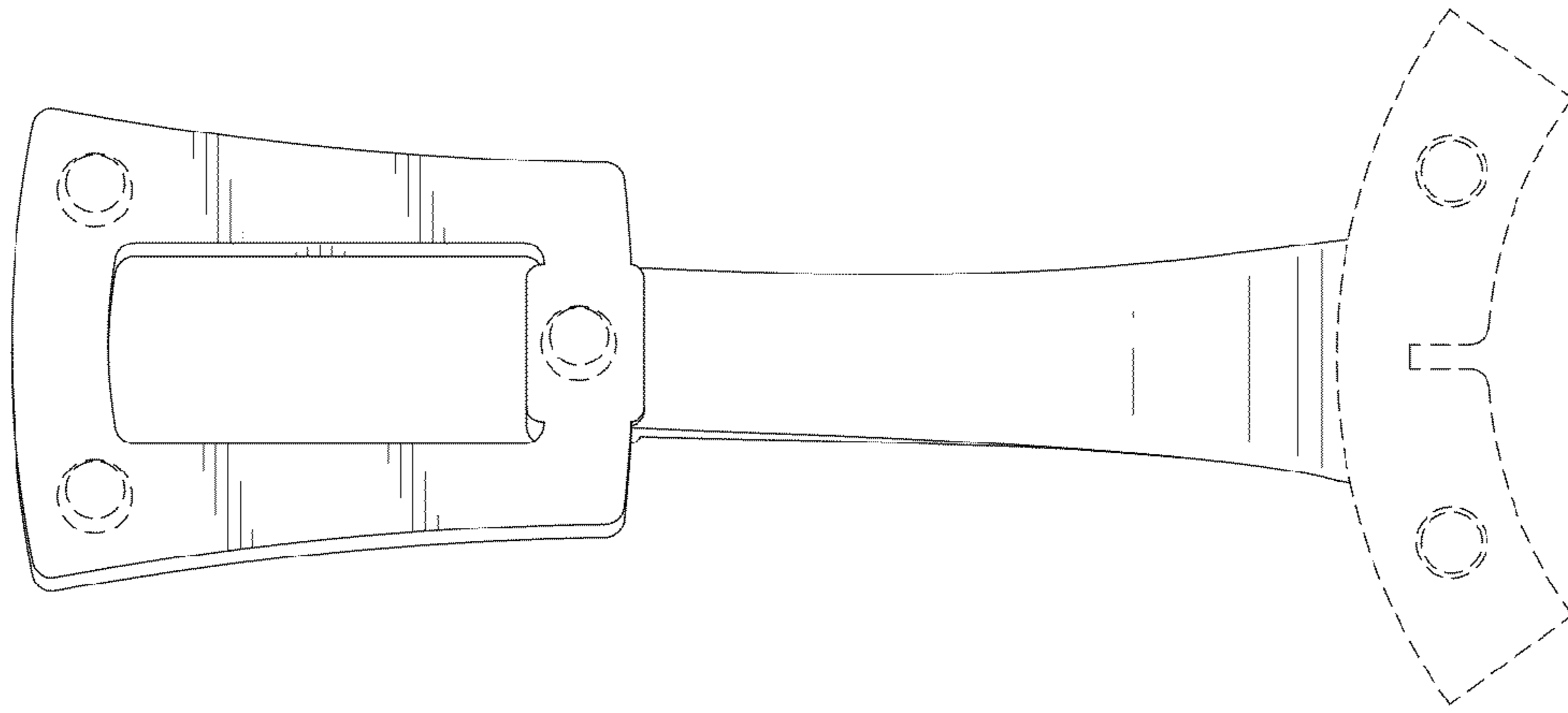


FIG. 6

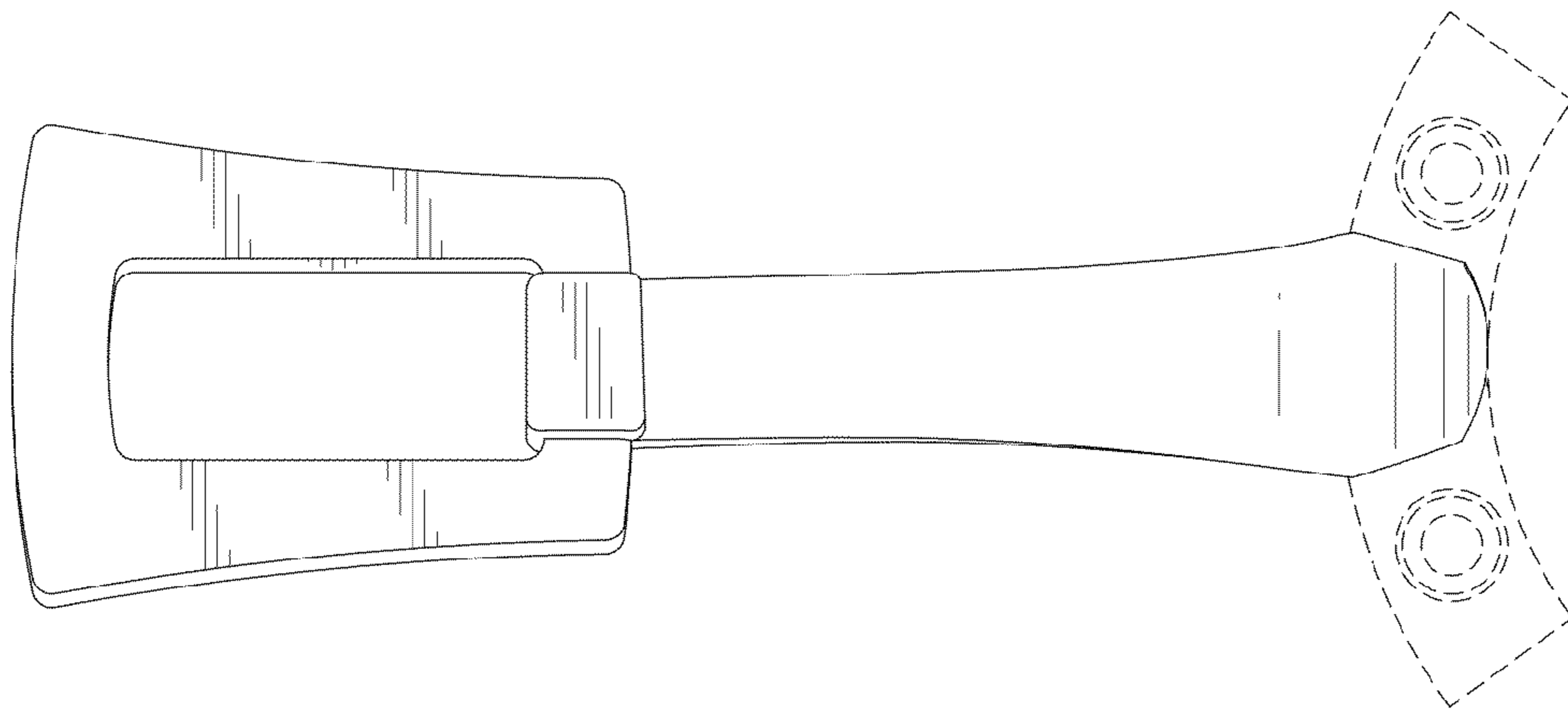


FIG. 7