



US00D707346S

(12) **United States Design Patent**
Shurtleff

(10) **Patent No.:** **US D707,346 S**
(45) **Date of Patent:** **** Jun. 17, 2014**

(54) **FAN BLADE IRON**

(71) Applicant: **Air Cool Industrial Co., Ltd.**, Taichung (TW)

(72) Inventor: **Mark L. Shurtleff**, Huntington Beach, CA (US)

(73) Assignee: **Air Cool Industrial Co., Ltd.**, Taichung (TW)

(**) Term: **14 Years**

(21) Appl. No.: **29/435,570**

(22) Filed: **Oct. 25, 2012**

(51) **LOC (10) Cl.** **23-04**

(52) **U.S. Cl.**
USPC **D23/411**

(58) **Field of Classification Search**
CPC F04D 25/088; F04D 29/34; F04D 29/32; F04D 29/322; F04D 29/384; F01D 5/3015; F01D 5/323; F01D 5/30; F01D 25/28; F05D 2250/70; F05D 2240/80; F24F 2221/14; B63H 1/20; F21V 21/104; F21V 33/0096
USPC D23/411–414, 324, 331, 343, 385, D23/370–384, 387, 499; D8/323, 327, 349, D8/354, 373, 380–387, 394, 397, 398; 416/5, 170 R, 214 R, 184, 206, 207, 416/210 R, 220 R, 244 R, 248; 16/265, 382, 16/388, 389; 392/364; 248/188, 243, 4, 248/398; D6/703.8, 705.1, 707.24, 707.25, D6/718.13, 718.23, 719–719.4
See application file for complete search history.

(56) **References Cited**

U.S. PATENT DOCUMENTS

D262,736 S * 1/1982 Wooden D23/413
4,808,071 A * 2/1989 Chau 416/5

D325,776 S * 4/1992 Scofield et al. D23/377
D354,804 S * 1/1995 Tsuji D23/377
5,458,464 A * 10/1995 Lee 416/210 R
D366,111 S * 1/1996 DiPasquale D23/411
D369,405 S * 4/1996 Holbrook D23/411
D384,737 S * 10/1997 Gee, II D23/377
D388,165 S * 12/1997 Johnson D23/411
D397,781 S * 9/1998 Tsuji D23/411
D408,521 S * 4/1999 Zuege D23/411
5,899,663 A * 5/1999 Feder et al. 416/5
D411,095 S * 6/1999 Schultz D8/343
5,944,487 A * 8/1999 Pearce 416/244 R
5,951,197 A * 9/1999 Wu 403/315
D420,124 S * 2/2000 Johnson D23/411
6,027,310 A * 2/2000 Kerr et al. 416/210 R
6,039,540 A * 3/2000 Wu 416/210 R
6,062,820 A * 5/2000 Wang 416/210 R
6,149,388 A * 11/2000 Liao 416/210 R
D435,901 S * 1/2001 Tsuji D23/411
6,171,059 B1 * 1/2001 Bucher et al. 416/210 R

(Continued)

Primary Examiner — Susan Bennett Hattan

Assistant Examiner — Marie Fast Horse

(74) *Attorney, Agent, or Firm* — Ming Chow; Sinorica, LLC

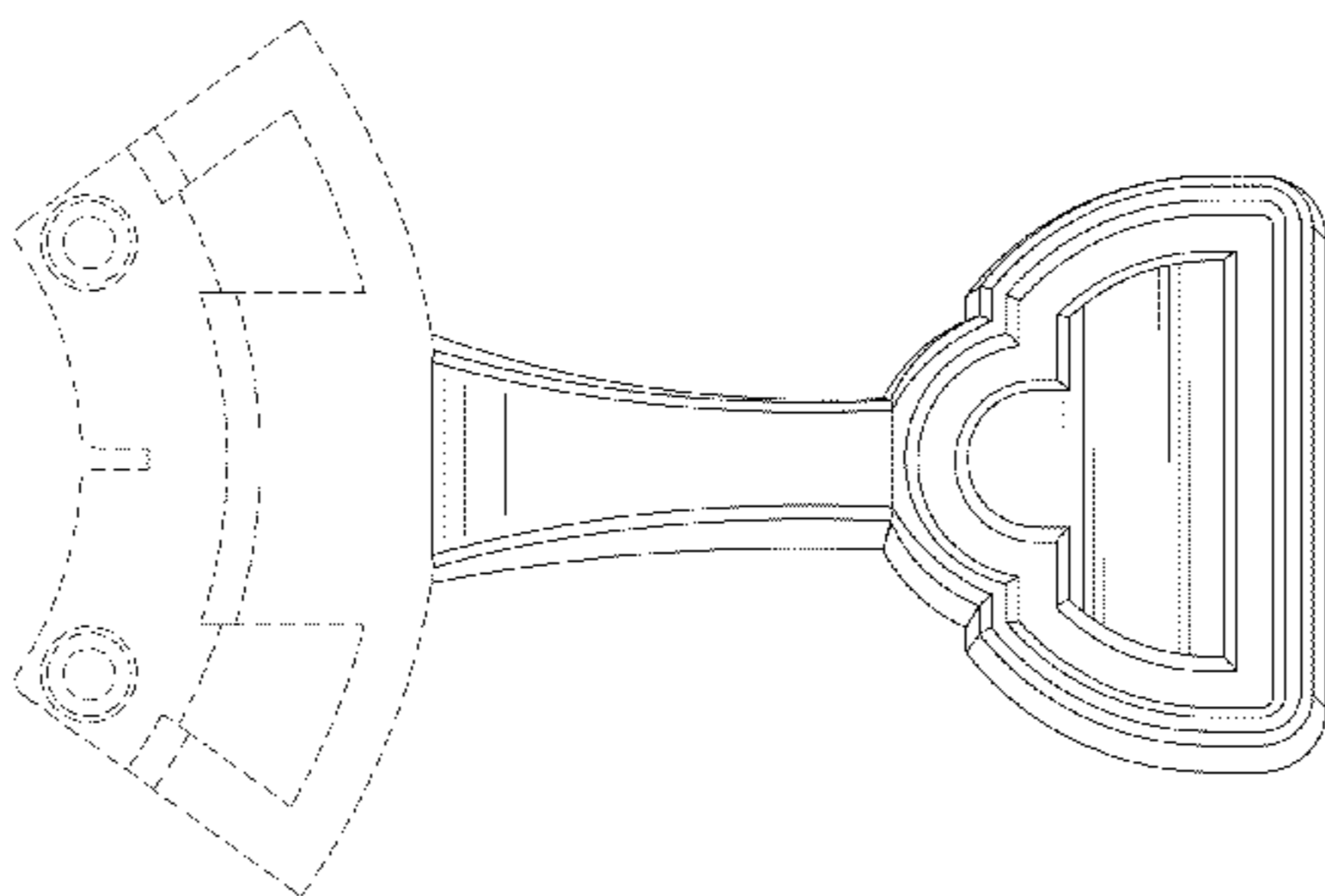
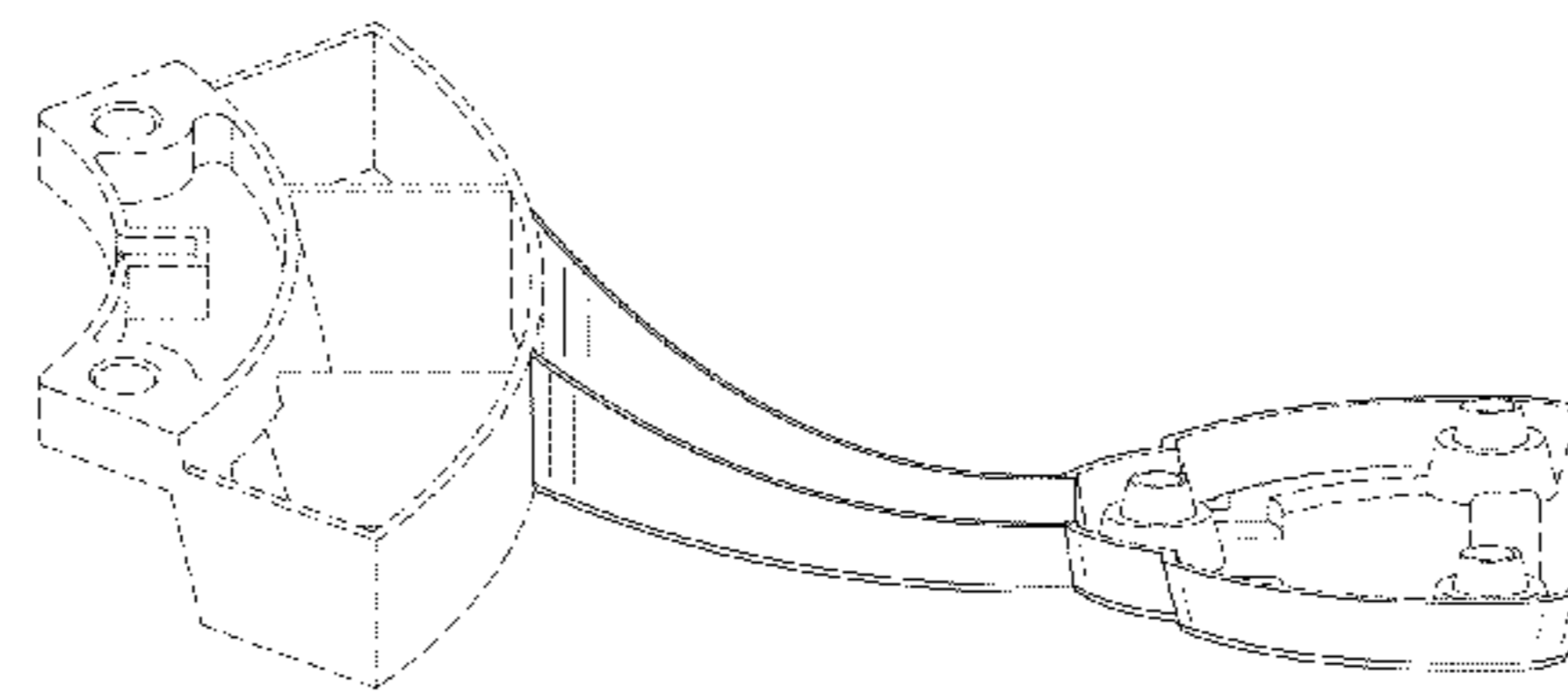
(57) **CLAIM**

I claim the ornamental design for a fan blade iron, as shown and described.

DESCRIPTION

FIG. 1 is a front perspective view of a fan blade iron showing my new design;
FIG. 2 is a front elevational view thereof;
FIG. 3 is a rear elevational view thereof.
FIG. 4 is a left side elevational view thereof;
FIG. 5 is a right side elevational view thereof;
FIG. 6 is a top plan view thereof; and,
FIG. 7 is a bottom plan view thereof.
The broken lines in the drawings depict environmental subject matter only and form no part of the claimed design.

1 Claim, 5 Drawing Sheets



(56)

References Cited

U.S. PATENT DOCUMENTS

6,336,792 B1 * 1/2002 Bucher et al. 416/210 R
D456,891 S * 5/2002 Hsieh D23/411
D461,553 S * 8/2002 Gajewski D23/411
6,464,524 B1 * 10/2002 Kerr et al. 439/313
D480,134 S * 9/2003 Wilson D23/411
6,666,652 B2 * 12/2003 Bucher et al. 416/210 R
D488,860 S * 4/2004 Burns D23/411

D490,512 S * 5/2004 Campbell D23/411
6,802,694 B2 * 10/2004 Bucher et al. 416/210 R
D499,910 S * 12/2004 Mohundro D6/505
6,902,375 B2 * 6/2005 Bird et al. 416/207
D536,913 S * 2/2007 Schmitt D6/505
D552,229 S * 10/2007 Shurtleff D23/411
D573,245 S * 7/2008 Pan D23/411
D594,550 S * 6/2009 Pan D23/411
D677,193 S * 3/2013 MacDonald D11/78.1
2002/0054816 A1 * 5/2002 Bucher et al. 416/210 R

* cited by examiner

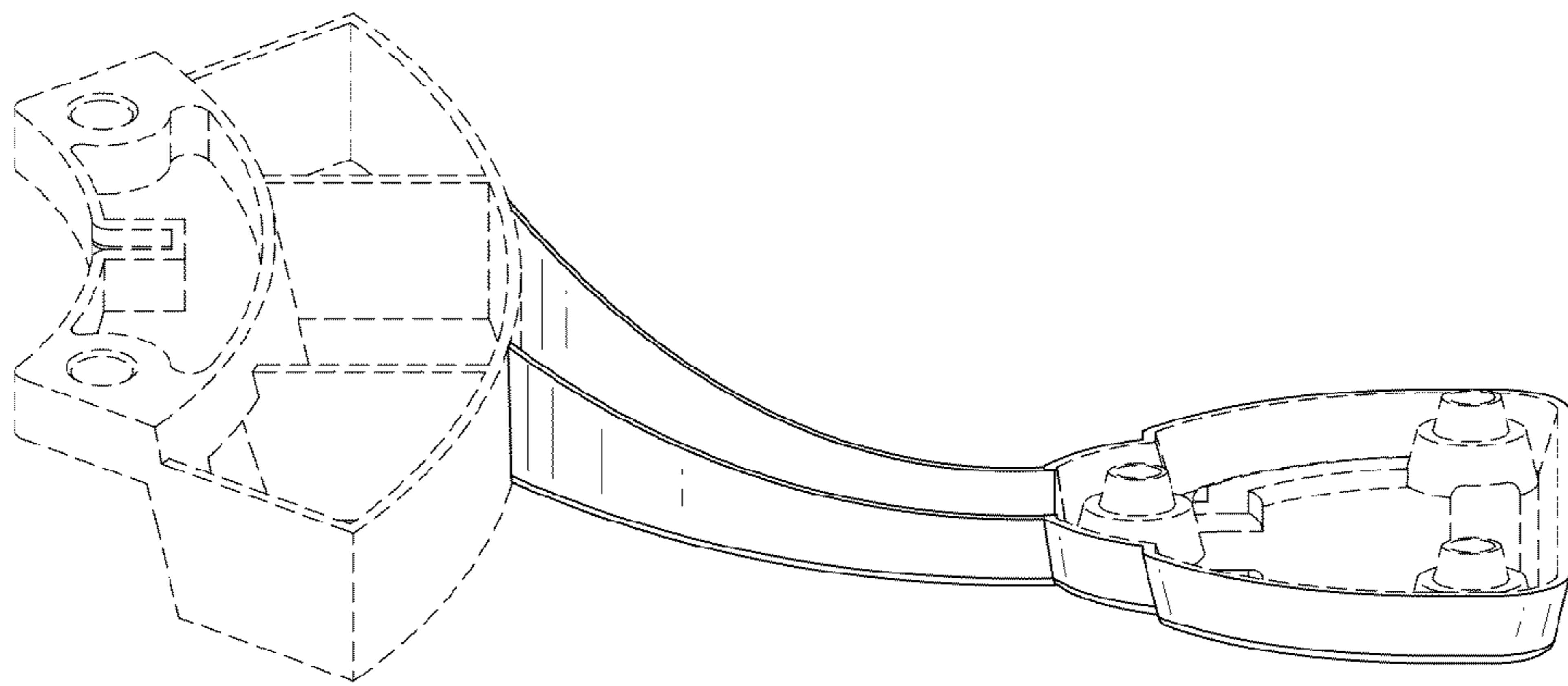


FIG. 1

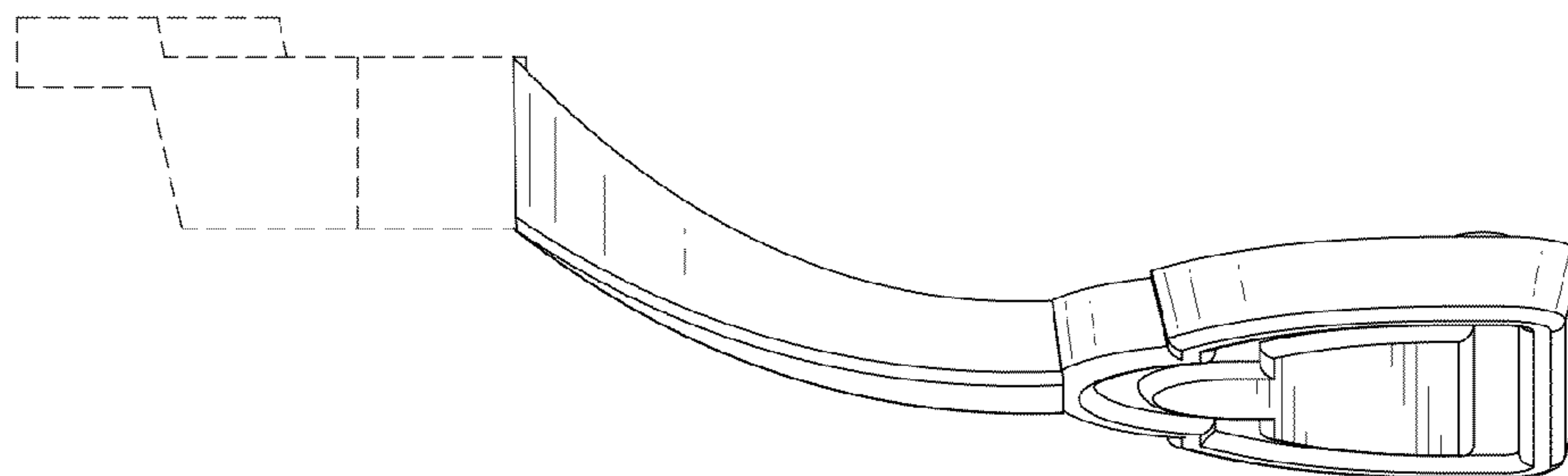


FIG. 2

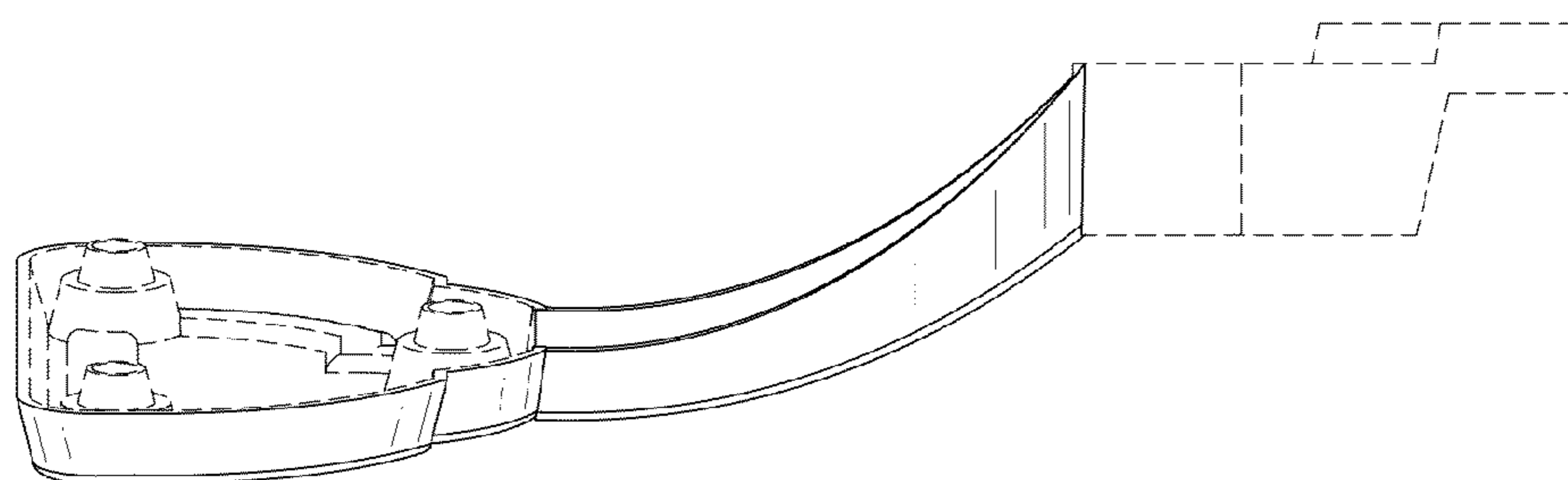


FIG. 3

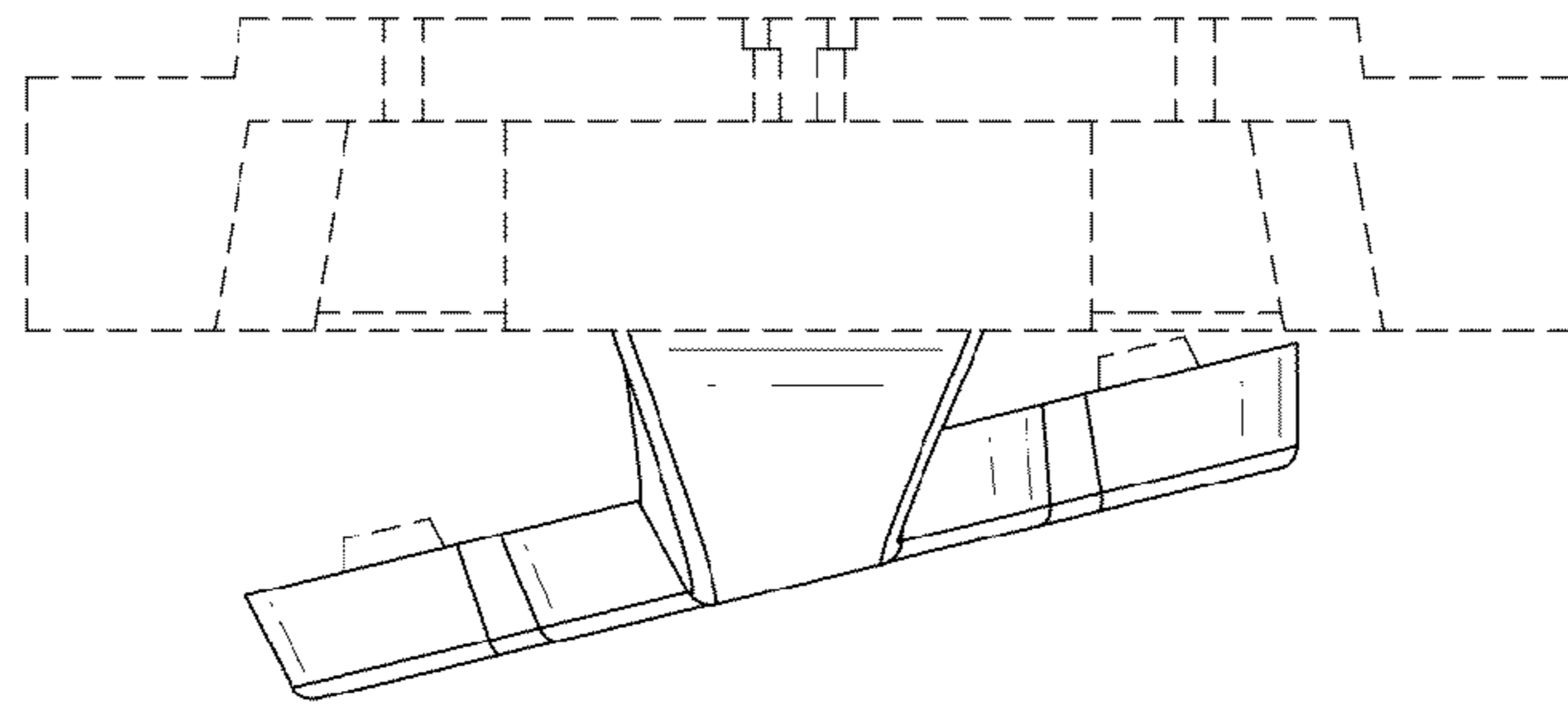


FIG. 4

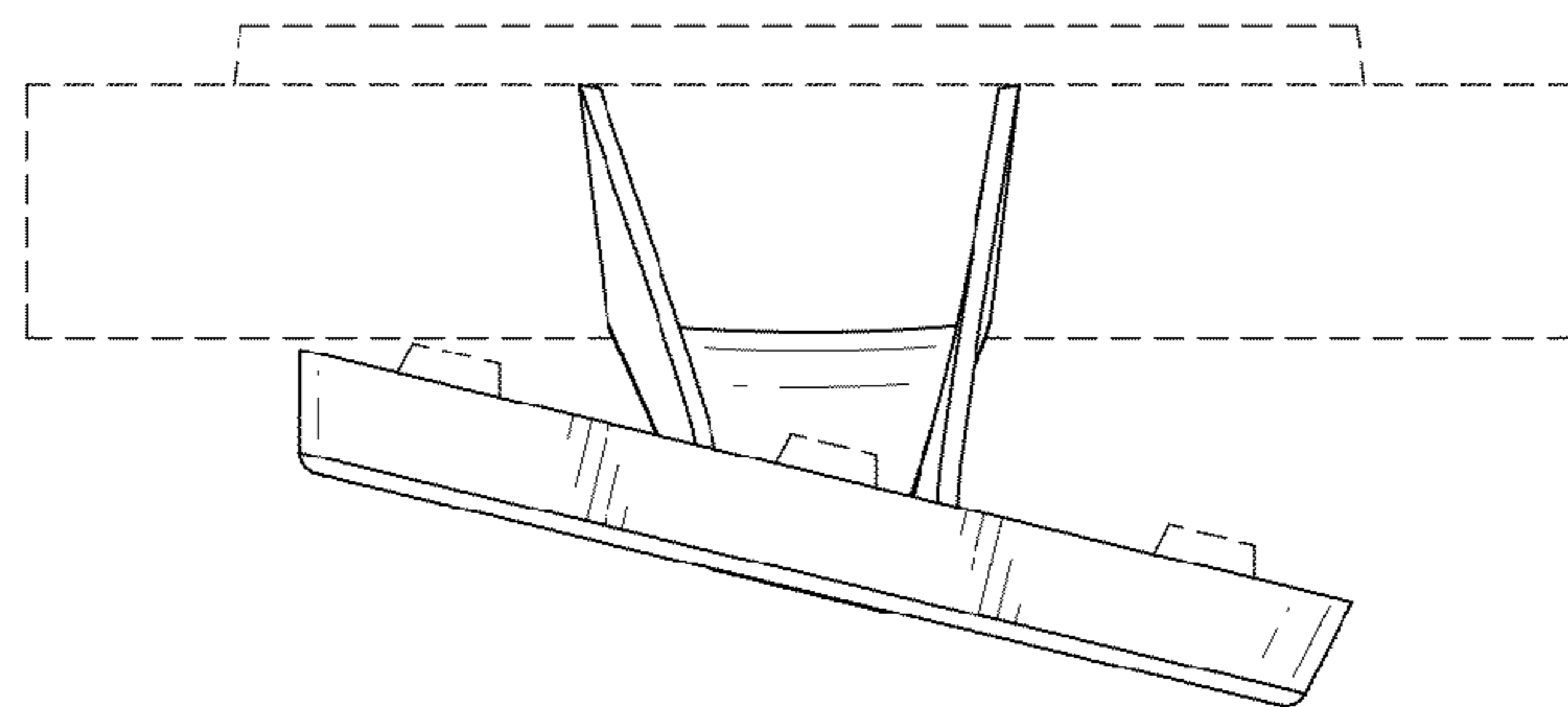


FIG. 5

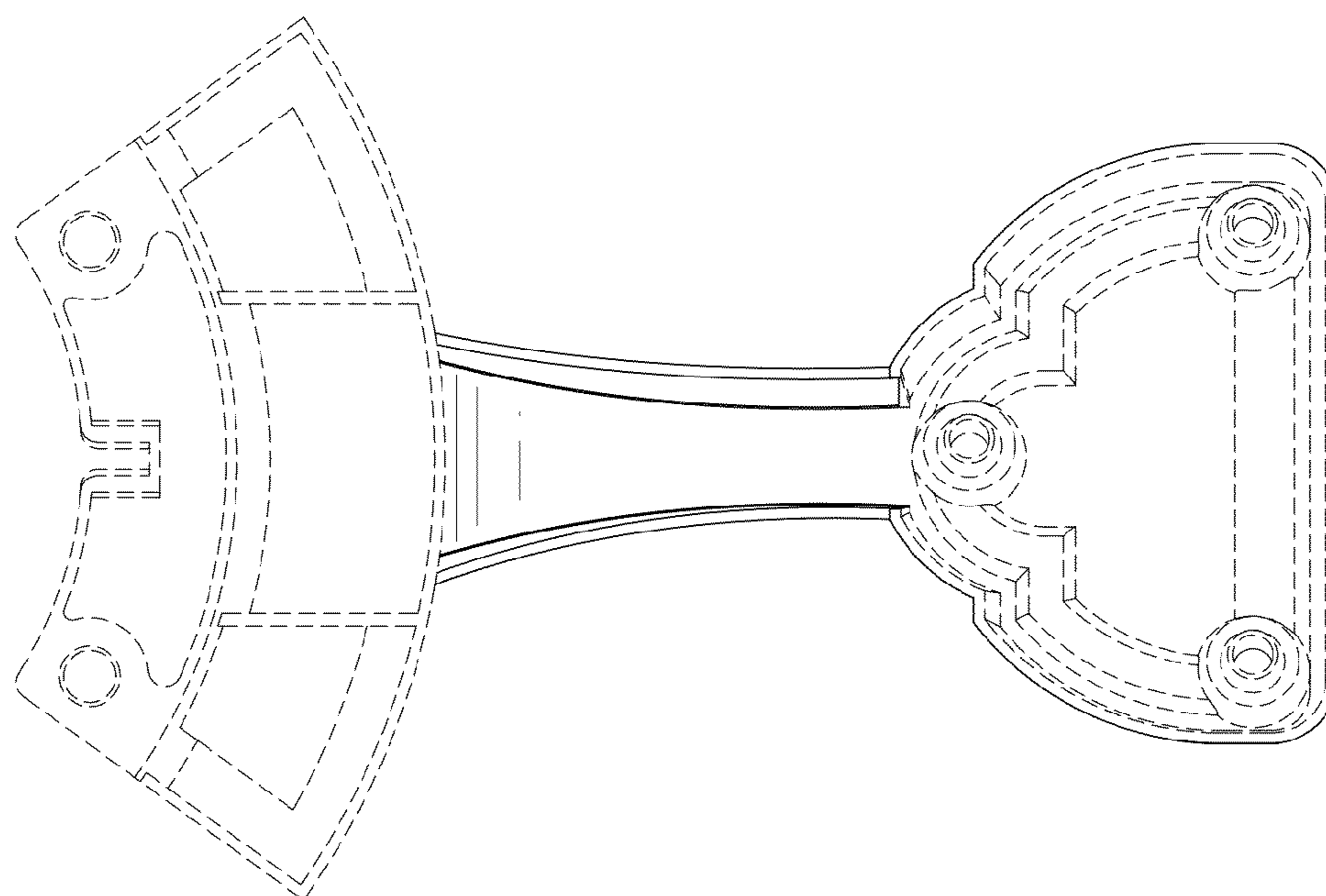


FIG. 6

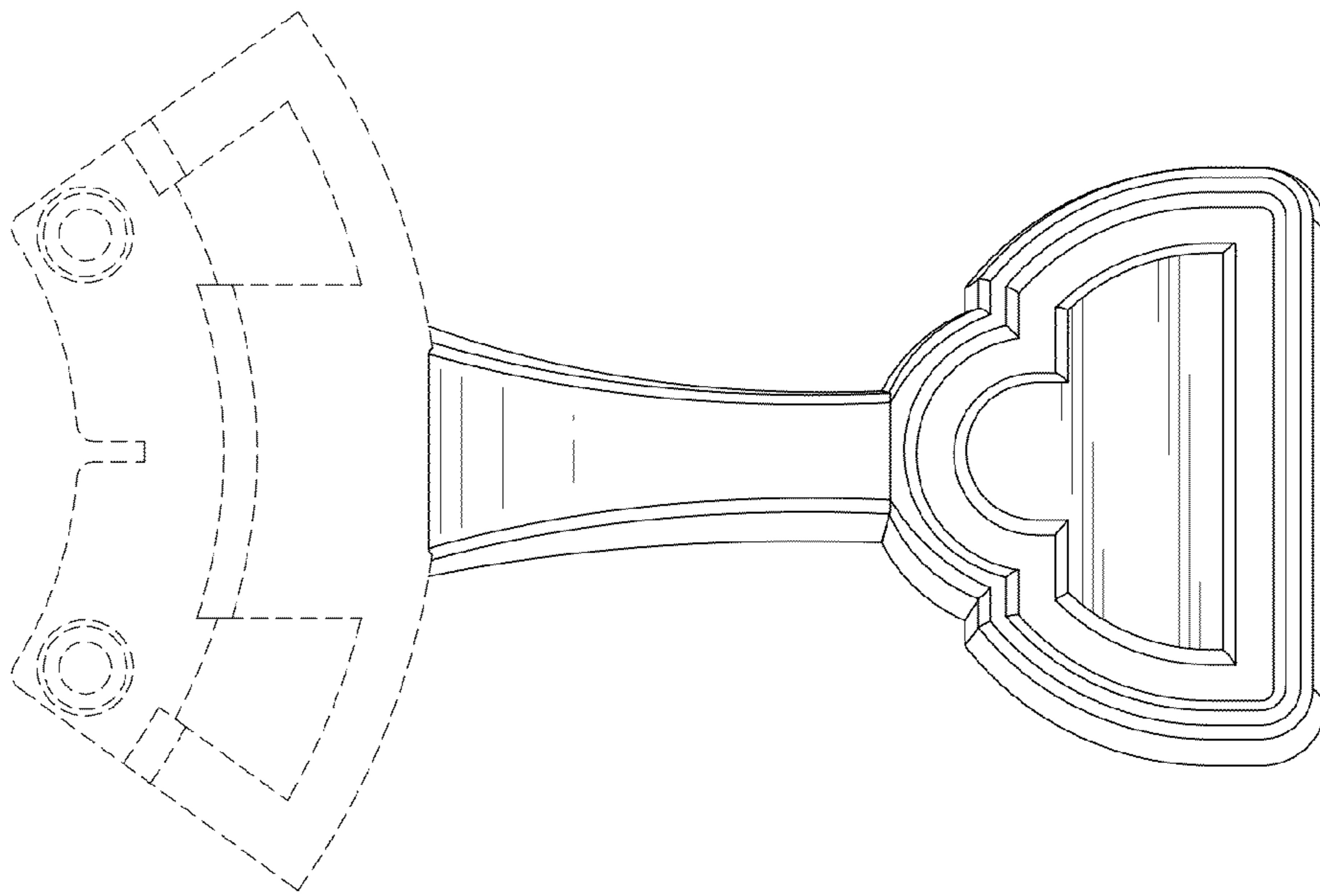


FIG. 7