



US00D707344S

(12) **United States Design Patent**  
**Wang**

(10) **Patent No.:** **US D707,344 S**

(45) **Date of Patent:** **\*\* Jun. 17, 2014**

- (54) **CEILING FAN MOTOR HOUSING**
- (75) Inventor: **Cliff Wang**, Taichung (TW)
- (73) Assignee: **Air Cool Industrial Co., Ltd.**, Taichung (TW)
- (\*\*) Term: **14 Years**
- (21) Appl. No.: **29/431,987**
- (22) Filed: **Sep. 12, 2012**
- (51) **LOC (10) Cl.** ..... **23-04**
- (52) **U.S. Cl.**  
USPC ..... **D23/411**
- (58) **Field of Classification Search**  
CPC .... F04D 25/088; F04D 29/34; F21V 33/0096  
USPC ..... D23/411-414, 324, 331, 343, 385,  
D23/370-384, 387, 499; D8/323, 327, 349,  
D8/354, 373, 380-387, 394, 397, 398;  
D11/78.1, 86; D26/59, 51, 72, 73,  
D26/80-86, 88, 90; 16/265, 382, 388, 389;  
248/243, 398; 392/361, 364; 416/5,  
416/170 R, 214 R, 184, 206, 207, 210 R,  
416/220 R, 244 R, 248; 362/96  
See application file for complete search history.

(56) **References Cited**

**U.S. PATENT DOCUMENTS**

D82,179 S *	9/1930	Ringwald	.....	D23/379
2,142,080 A *	1/1939	Asplund	.....	416/69
4,342,073 A *	7/1982	Ranten	.....	362/294
4,592,702 A *	6/1986	Bogage	.....	416/247 R
4,634,345 A *	1/1987	Stanek et al.	.....	416/244 R
4,711,161 A *	12/1987	Swin et al.	.....	454/230
4,808,071 A *	2/1989	Chau	.....	416/5
D312,305 S *	11/1990	Weatherford	.....	D23/377
D324,100 S *	2/1992	Holbrook	.....	D23/411
D325,776 S *	4/1992	Scofield et al.	.....	D23/377
5,135,365 A *	8/1992	Bogage	.....	417/423.15

D355,028 S *	1/1995	Tsuji	.....	D23/377
D364,223 S *	11/1995	DiPasquale	.....	D23/377
D374,715 S *	10/1996	DiPasquale	.....	D23/377
D374,925 S *	10/1996	Jaspers-Fayer	.....	D23/377
5,645,403 A *	7/1997	Bogage	.....	416/235
5,669,760 A *	9/1997	Chen	.....	416/210 R
D408,517 S *	4/1999	LaSpina	.....	D23/377
5,944,487 A *	8/1999	Pearce	.....	416/244 R
D416,616 S *	11/1999	LaSpina	.....	D23/377
D426,629 S *	6/2000	LaSpina et al.	.....	D23/377
D445,888 S *	7/2001	Lee	.....	D23/377
D484,967 S *	1/2004	Huang	.....	D23/411
D523,951 S *	6/2006	Pickett	.....	D23/411
D533,936 S *	12/2006	Tateishi et al.	.....	D23/411
D596,733 S *	7/2009	Kihara	.....	D23/377
D627,049 S *	11/2010	Glasbrenner	.....	D23/411
D627,456 S *	11/2010	Glasbrenner	.....	D23/411
D627,871 S *	11/2010	Shurtleff	.....	D23/411
D671,202 S *	11/2012	Searle	.....	D23/377

(Continued)

*Primary Examiner* — Susan Bennett Hattan  
*Assistant Examiner* — Marie Fast Horse  
(74) *Attorney, Agent, or Firm* — Ming Chow; Sinorica, LLC

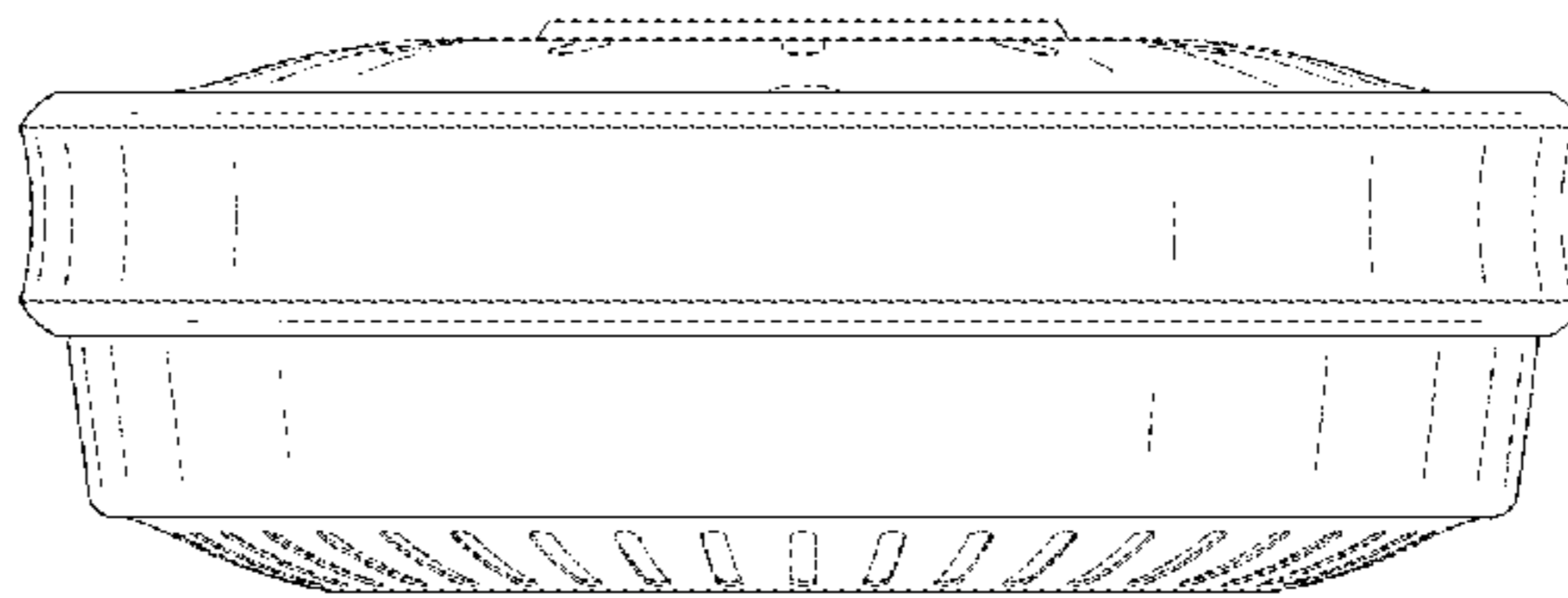
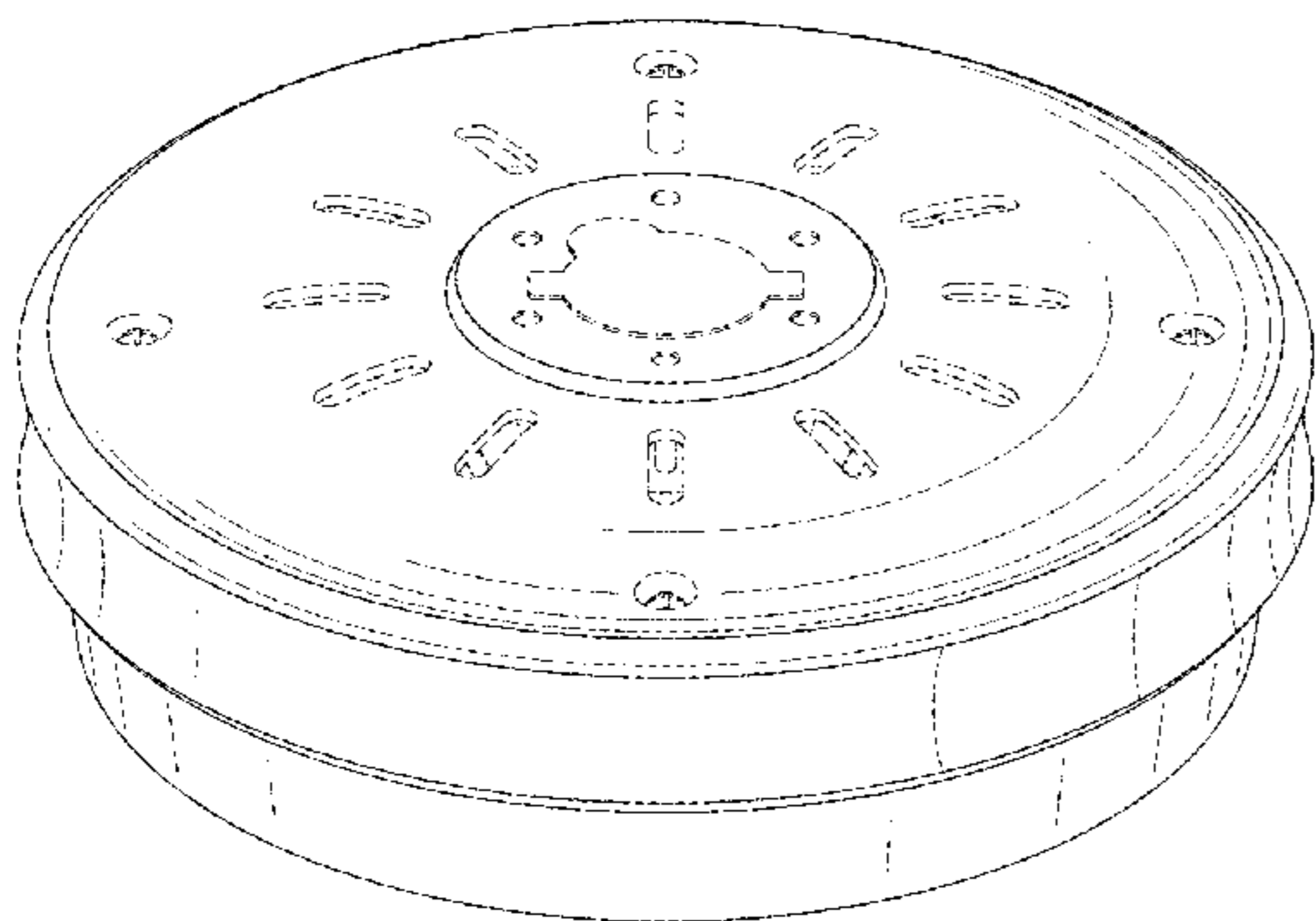
(57) **CLAIM**

I claim the ornamental design for a ceiling fan motor housing, as shown and described.

**DESCRIPTION**

FIG. 1 is a front perspective view of a ceiling fan motor housing showing my new design; FIG. 2 is a front elevational view thereof; FIG. 3 is a rear elevational view thereof; FIG. 4 is a left side elevational view thereof; FIG. 5 is a right side elevational view thereof; FIG. 6 is a top plan view thereof; and, FIG. 7 is a bottom plan view thereof. The broken lines in the drawings depict environmental subject matter only and form no part of the claimed design.

**1 Claim, 5 Drawing Sheets**



(56)

**References Cited**

U.S. PATENT DOCUMENTS

D699,834 S \* 2/2014 Pan ..... D23/412  
2004/0057831 A1\* 3/2004 Lin ..... 416/210 R  
2006/0076844 A1\* 4/2006 Han ..... 310/91

2006/0076845 A1\* 4/2006 Park et al. .... 310/91  
2006/0076846 A1\* 4/2006 Han ..... 310/91  
2007/0258821 A1\* 11/2007 Pearce ..... 416/210 R  
2008/0089791 A1\* 4/2008 Cartwright et al. .... 416/244 R  
2011/0052411 A1\* 3/2011 Yamamoto et al. .... 416/244 R

\* cited by examiner

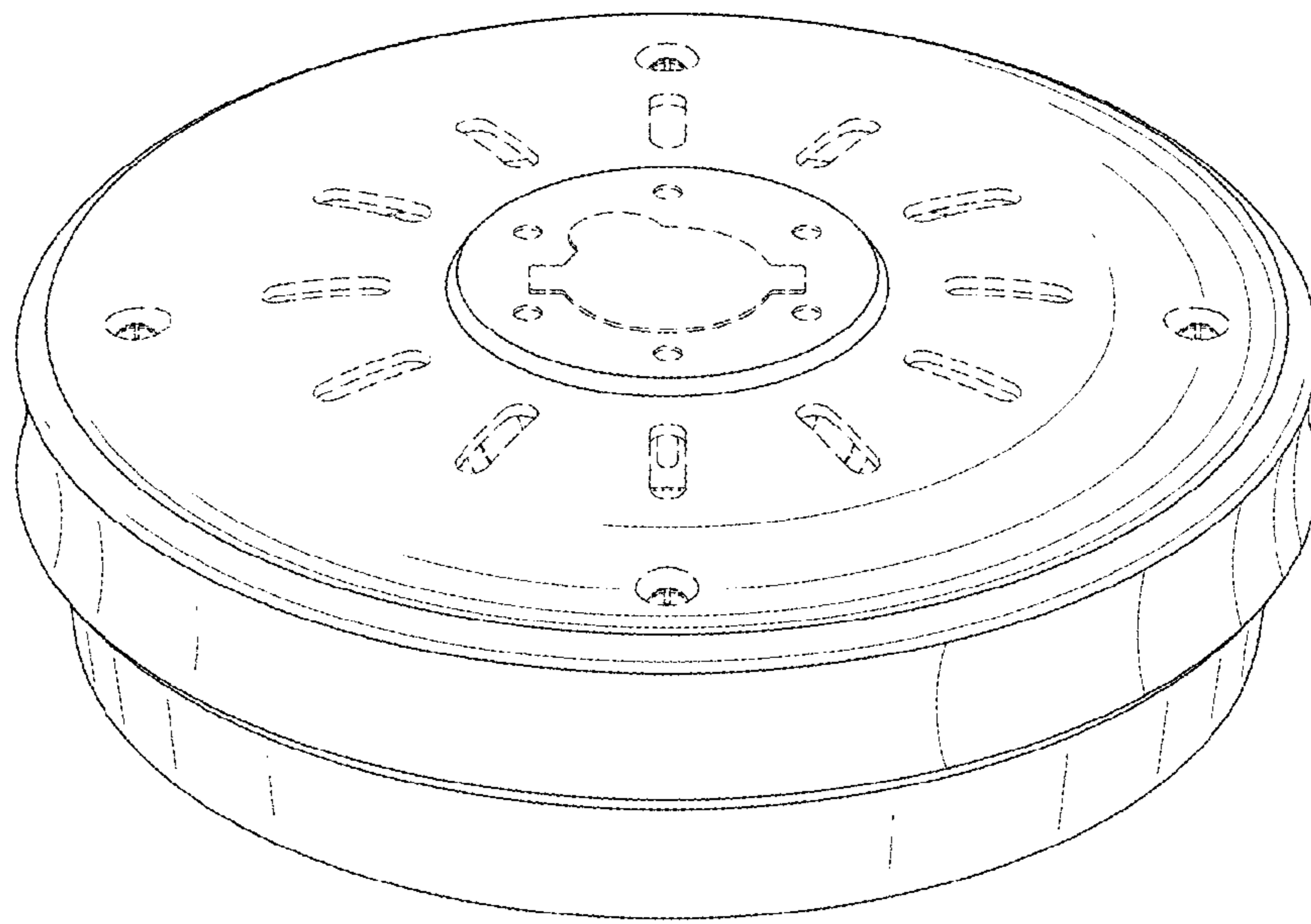


FIG. 1

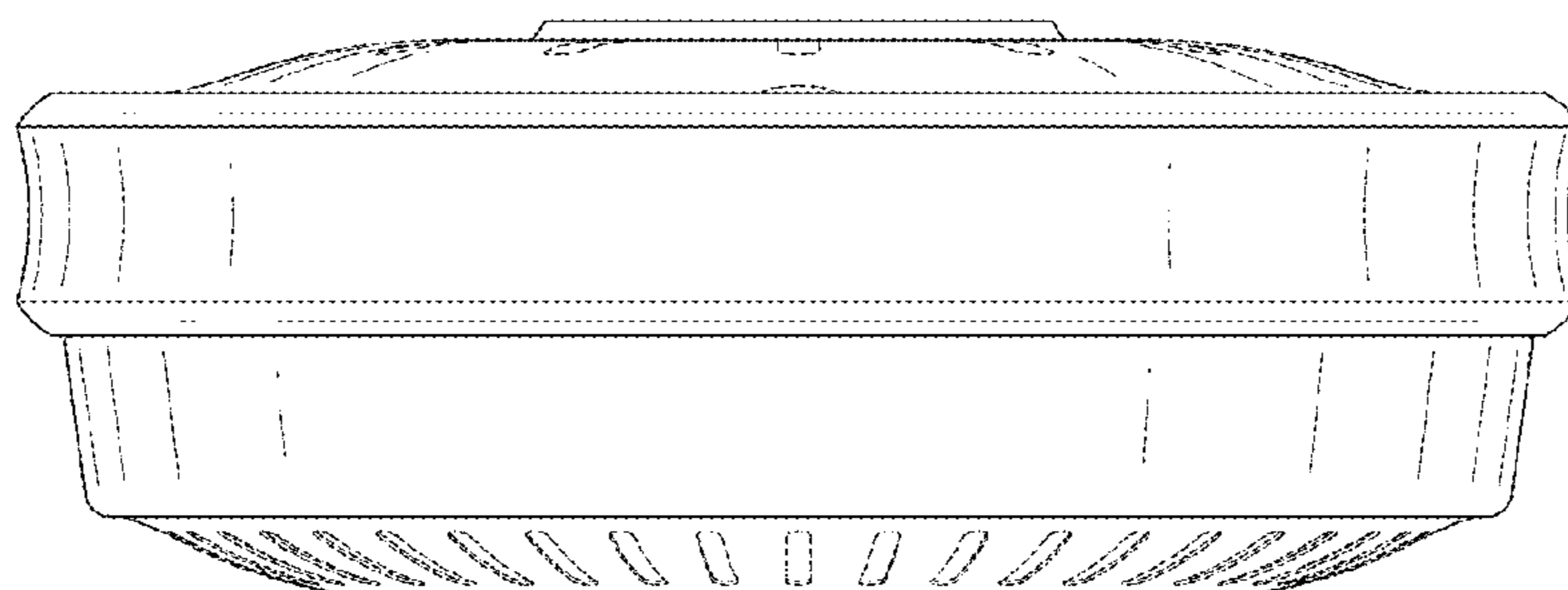


FIG. 2

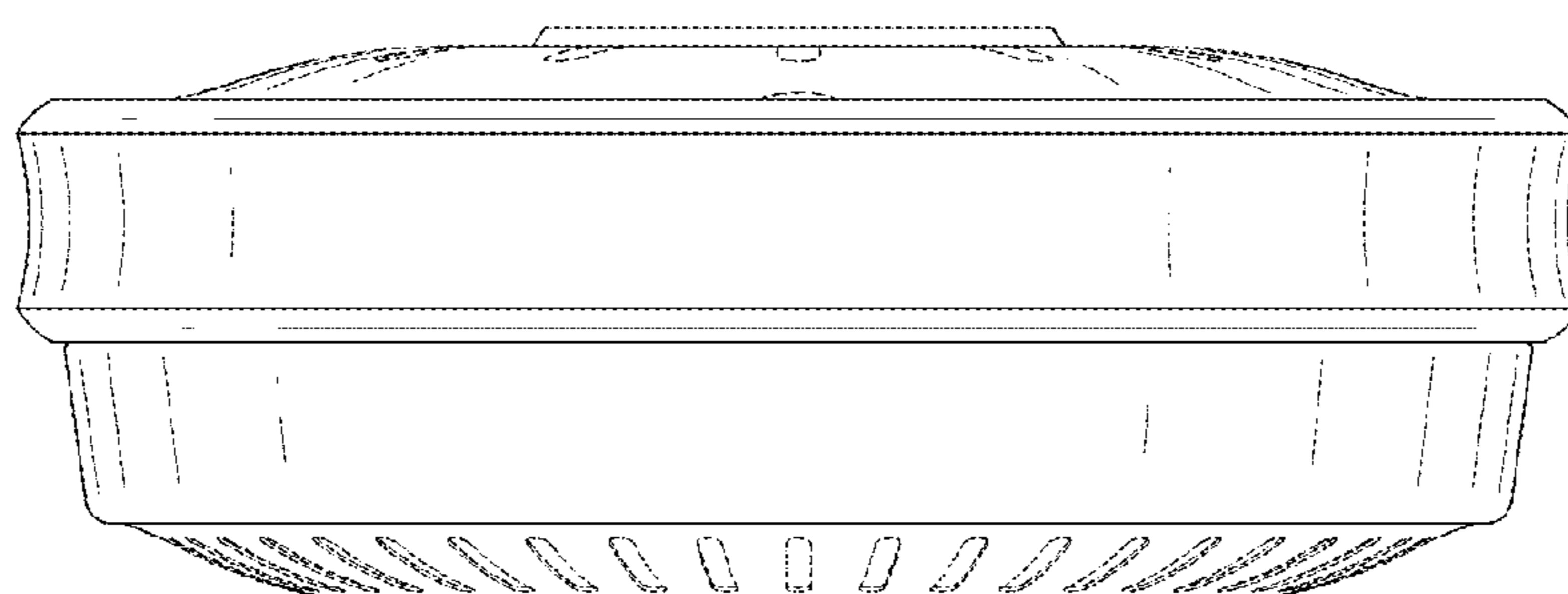


FIG. 3

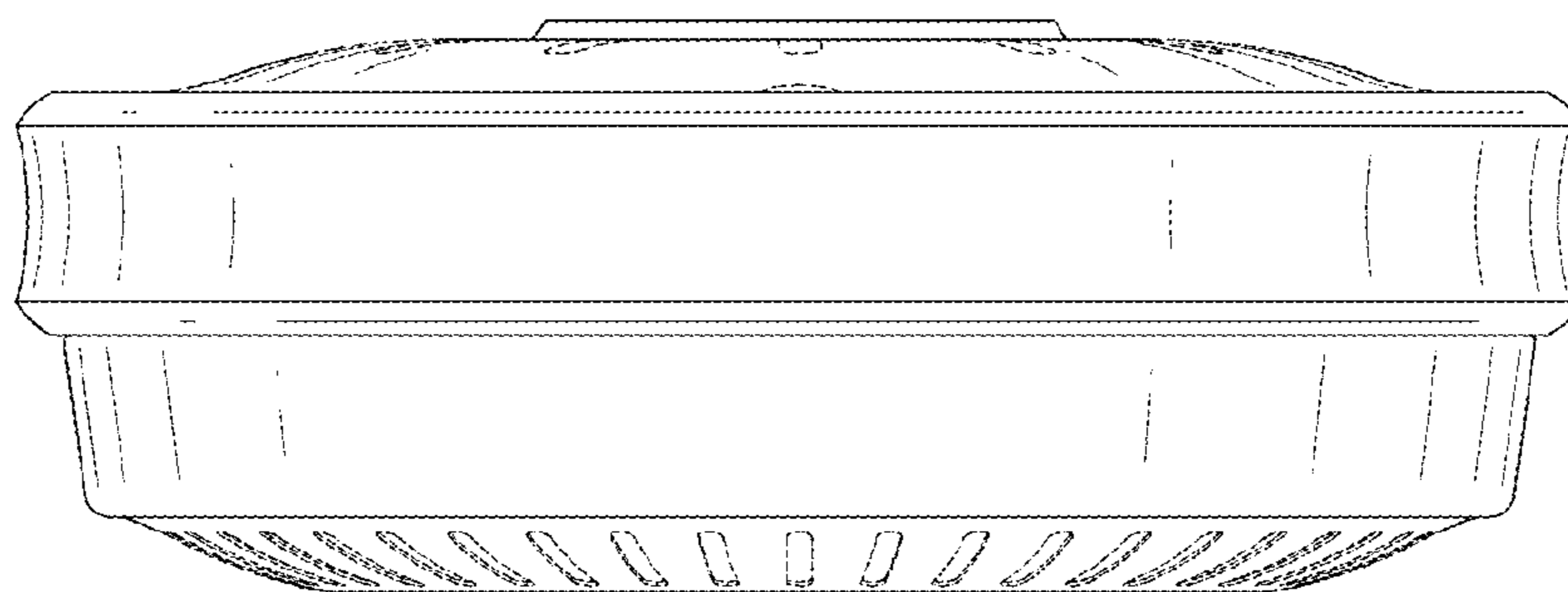


FIG. 4

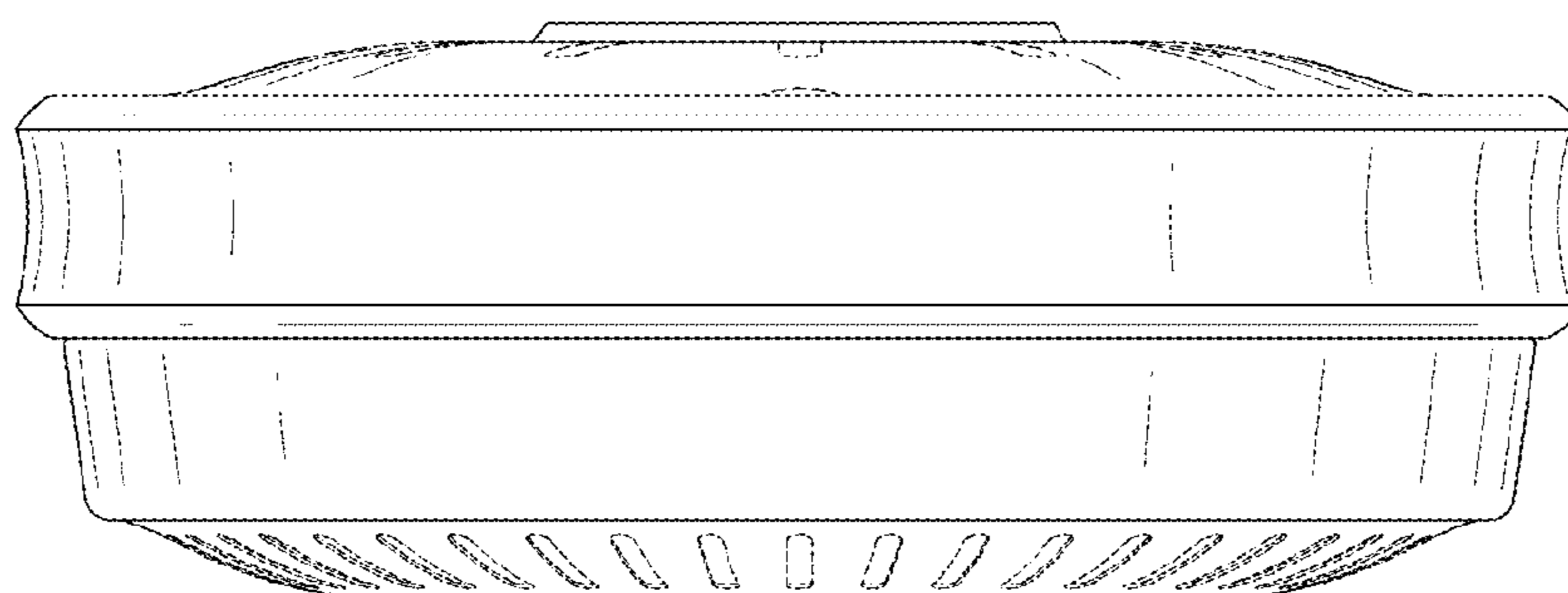


FIG. 5

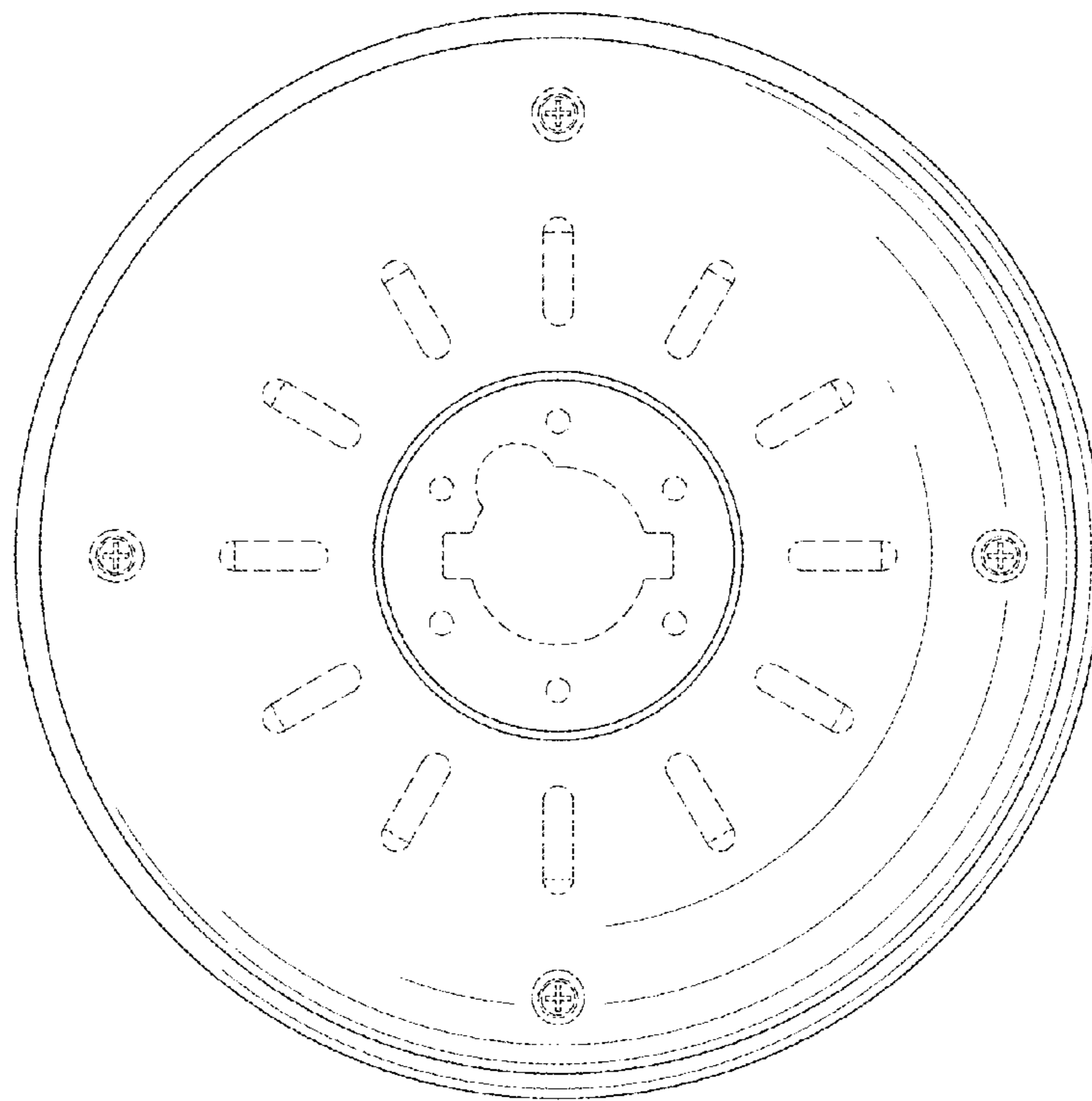


FIG. 6

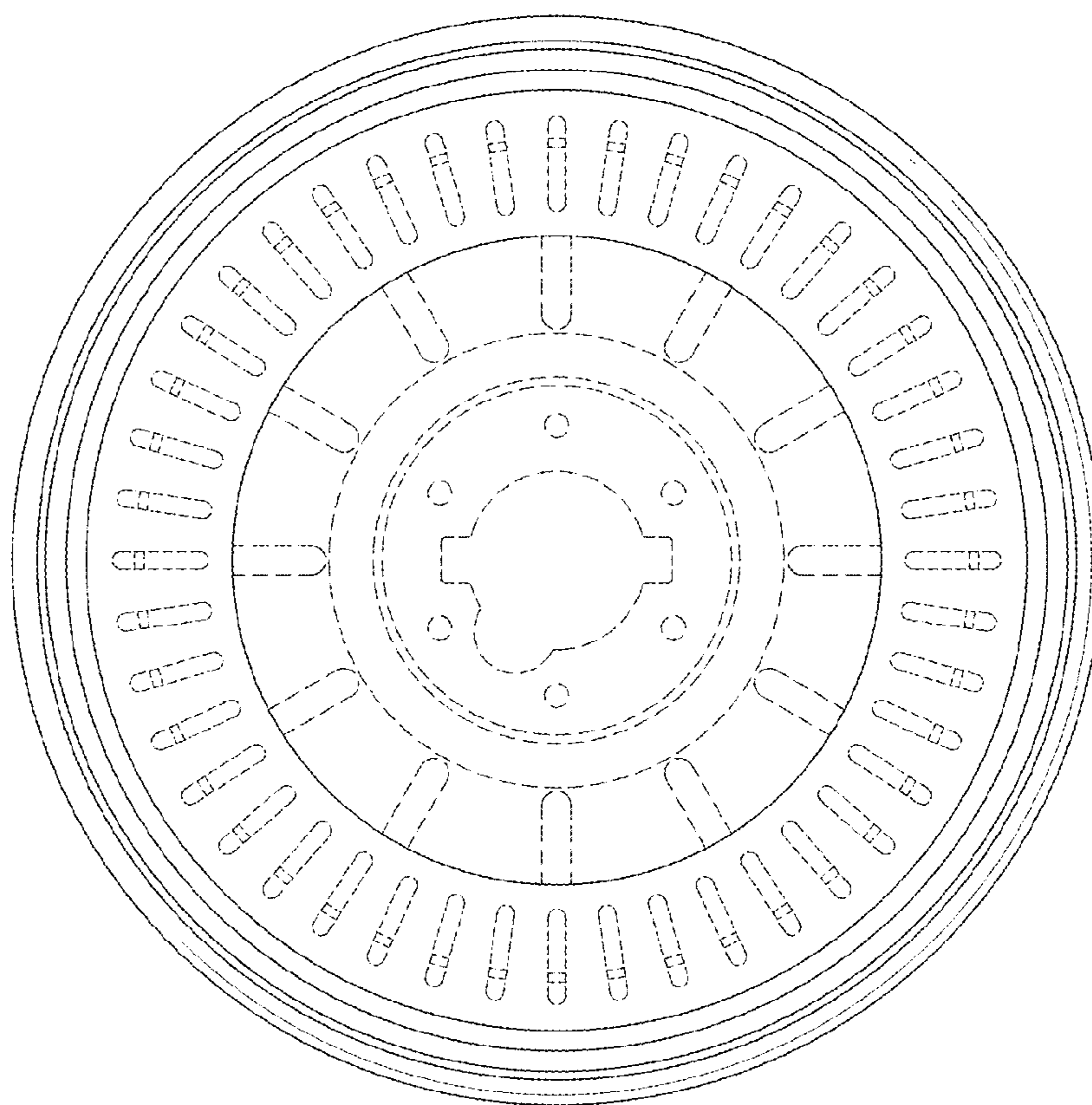


FIG. 7