

US00D707343S

(12) **United States Design Patent**  
**Wang**

(10) **Patent No.:** **US D707,343 S**  
(45) **Date of Patent:** **\*\* Jun. 17, 2014**

(54) **CEILING FAN MOTOR HOUSING**

(75) Inventor: **Cliff Wang**, Taichung (TW)

(73) Assignee: **Air Cool Industrial Co., Ltd.**, Taichung (TW)

(\*\*) Term: **14 Years**

(21) Appl. No.: **29/425,051**

(22) Filed: **Jun. 19, 2012**

(51) **LOC (10) Cl.** ..... **23-04**

(52) **U.S. Cl.**  
USPC ..... **D23/411; D26/59**

(58) **Field of Classification Search**  
CPC ..... F04D 25/088; F04D 29/34; F04D 25/08;  
F04D 29/005; F04D 29/646; F04D 29/263;  
F04D 25/06; F04D 29/20; F04D 29/242;  
F04D 29/325; F04D 29/38; F04D 19/002;  
F04D 1/04; F04D 29/322; F21V 33/0096;  
F21V 21/03; Y02E 10/721; F21Y 2103/022;  
F21Y 2103/02; F03D 1/0691; F03D 3/005;  
F03D 1/0666; F03D 1/0675; F03D 3/002;  
F05B 2250/25; F21S 8/00; F21W 2131/401;  
A61L 2209/12; A61L 9/122; A61M 1/101;  
F24F 1/0029; A47G 2200/08; A47G 23/0309;  
F21L 11/00; F21L 14/00  
USPC ..... D23/411-414, 324, 331, 343, 385,  
D23/370-384, 387, 499; D8/323, 327, 349,  
D8/354, 373, 380-387, 394, 397, 398;  
D11/78.1, 86; D26/59, 51, 72, 73,  
D26/80-86, 88, 90; 16/265, 382, 388, 389;  
248/243, 398; 392/361, 364; 416/5,  
416/170 R, 214 R, 184, 206, 207, 210 R,  
416/220 R, 244 R, 248; 362/96

See application file for complete search history.

(56) **References Cited**

U.S. PATENT DOCUMENTS

4,402,649	A *	9/1983	Laurel	416/5
D307,641	S *	5/1990	De'Armond	D26/85
D334,055	S *	3/1993	Oyama et al.	D23/377
5,340,277	A *	8/1994	Whitaker	416/5
5,462,412	A *	10/1995	Scofield et al.	416/210 R
D389,569	S *	1/1998	Gee et al.	D23/411
D392,035	S *	3/1998	Gee et al.	D23/411
6,394,756	B1 *	5/2002	Bucher et al.	416/244 R
D480,793	S *	10/2003	Burns	D23/411
6,644,927	B2 *	11/2003	Bucher et al.	416/244 R
D483,464	S *	12/2003	Tai	D23/377
D485,344	S *	1/2004	Tai	D23/377
D512,498	S *	12/2005	Hidalgo	D23/377
6,997,740	B2 *	2/2006	Kerr	439/537
D524,437	S *	7/2006	Holmes	D23/411
D527,090	S *	8/2006	Pan	D23/377
D532,902	S *	11/2006	Pan	D23/411
D533,937	S *	12/2006	Pan	D23/411
D541,406	S *	4/2007	Pickett	D23/411
D541,407	S *	4/2007	Pickett	D23/411

(Continued)

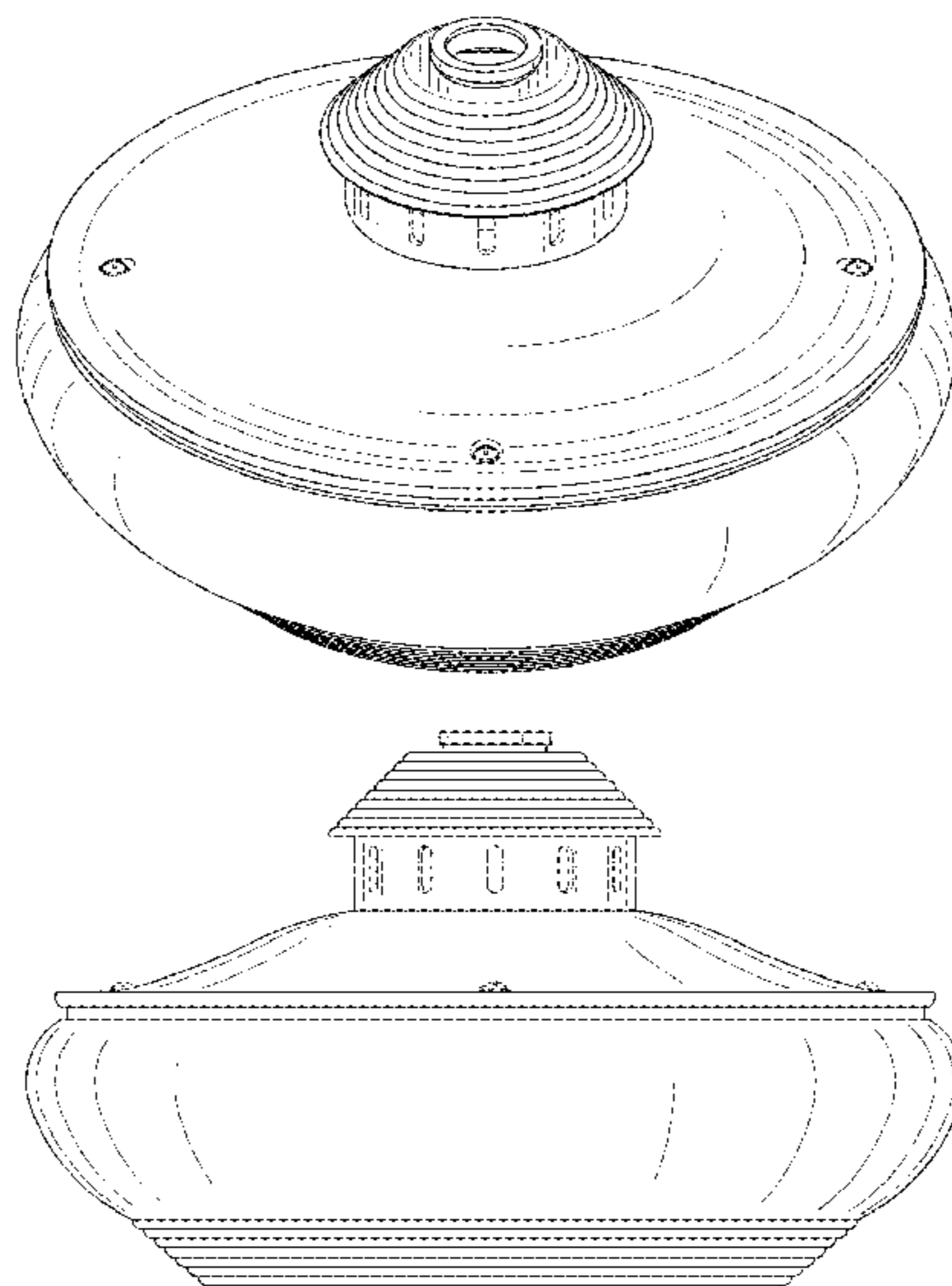
*Primary Examiner* — Susan Hattan  
*Assistant Examiner* — Marie Fast Horse  
 (74) *Attorney, Agent, or Firm* — Ming Chow; Sinorica, LLC

(57) **CLAIM**  
 I claim the ornamental design for a ceiling fan motor housing, as shown and described.

**DESCRIPTION**

FIG. 1 is a front perspective view of a ceiling fan motor housing showing my new design;  
 FIG. 2 is a front elevational view thereof;  
 FIG. 3 is a rear elevational view thereof.  
 FIG. 4 is a left side elevational view thereof;  
 FIG. 5 is a right side elevational view thereof;  
 FIG. 6 is a top plan view thereof; and,  
 FIG. 7 is a bottom plan view thereof.  
 The broken lines in the drawings depict environmental subject matter only and form no part of the claimed design.

**1 Claim, 5 Drawing Sheets**



(56)

**References Cited**

U.S. PATENT DOCUMENTS

D547,856 S \* 7/2007 Shurtleff ..... D23/411  
D562,967 S \* 2/2008 Pickett ..... D23/411  
D571,452 S \* 6/2008 Ertze ..... D23/411  
D580,544 S \* 11/2008 Badarello ..... D23/411  
D580,545 S \* 11/2008 Pickett ..... D23/411  
D593,194 S \* 5/2009 Pan ..... D23/377

D621,496 S \* 8/2010 Chen ..... D23/377  
D626,211 S \* 10/2010 Wang ..... D23/411  
D626,212 S \* 10/2010 Shurtleff ..... D23/411  
D627,046 S \* 11/2010 Wang ..... D23/377  
D627,050 S \* 11/2010 Pan ..... D23/411  
D627,052 S \* 11/2010 Pan ..... D23/411  
D627,871 S \* 11/2010 Shurtleff ..... D23/411  
D671,631 S \* 11/2012 Searle ..... D23/411

\* cited by examiner

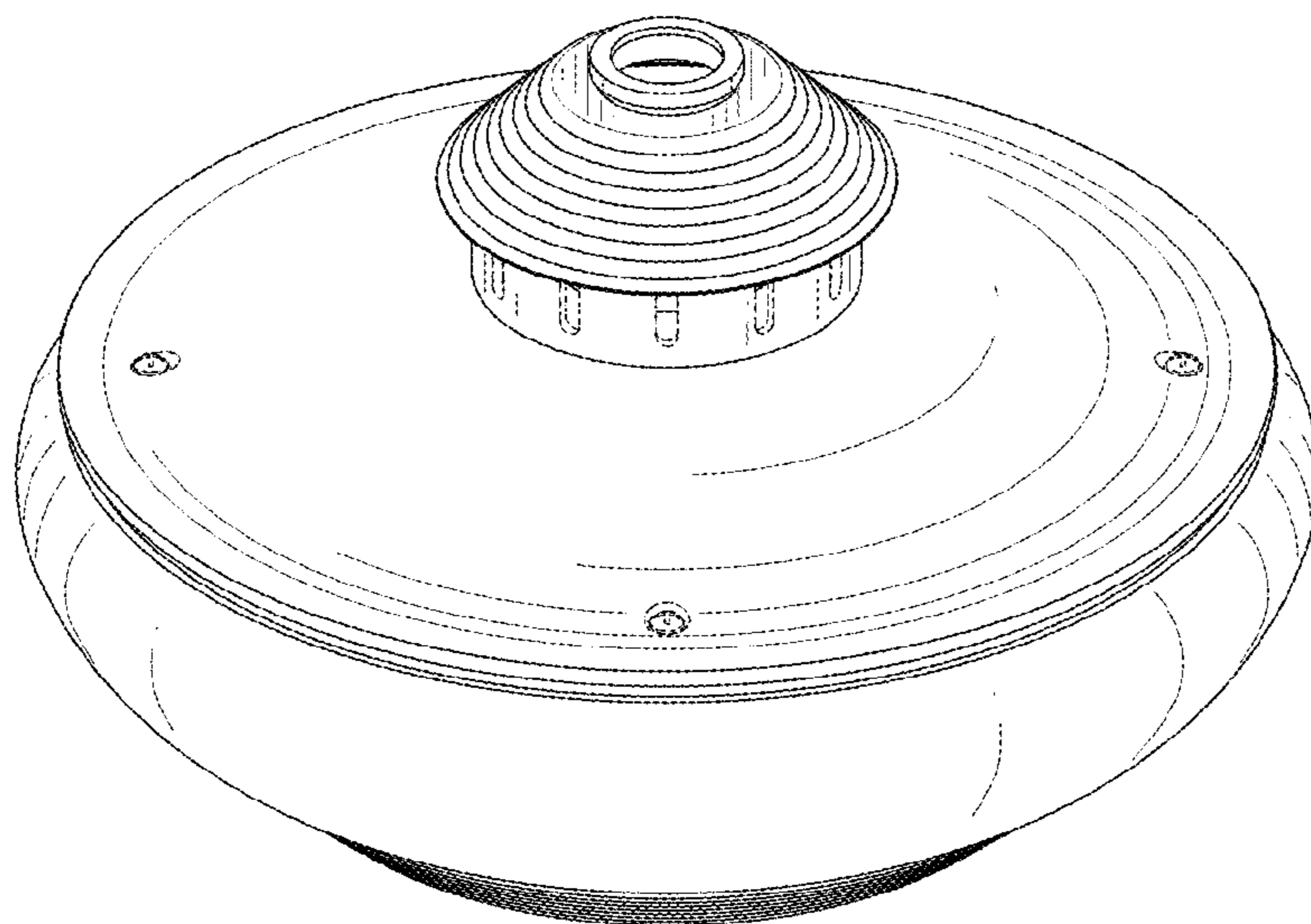


FIG. 1

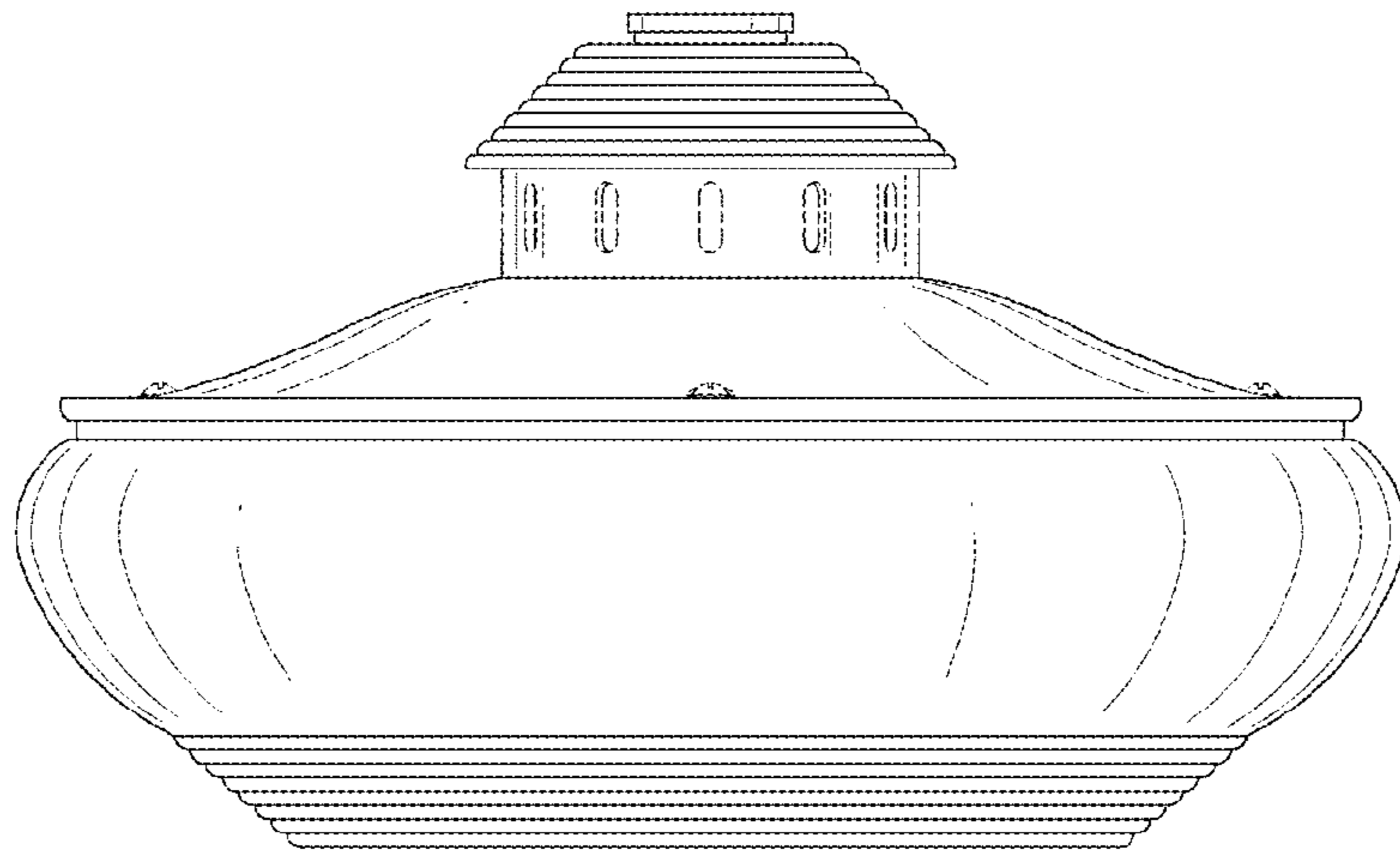


FIG. 2

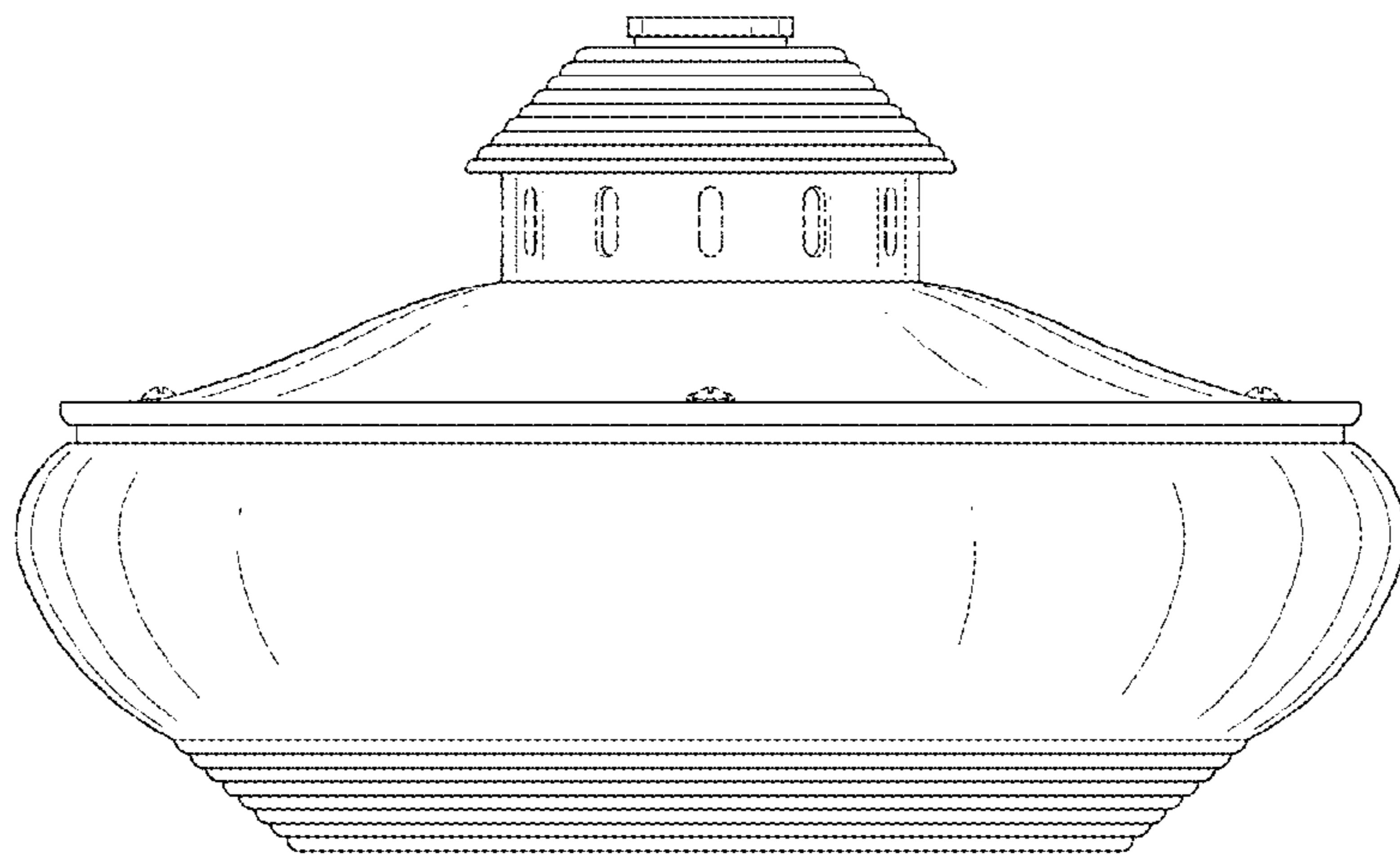


FIG. 3

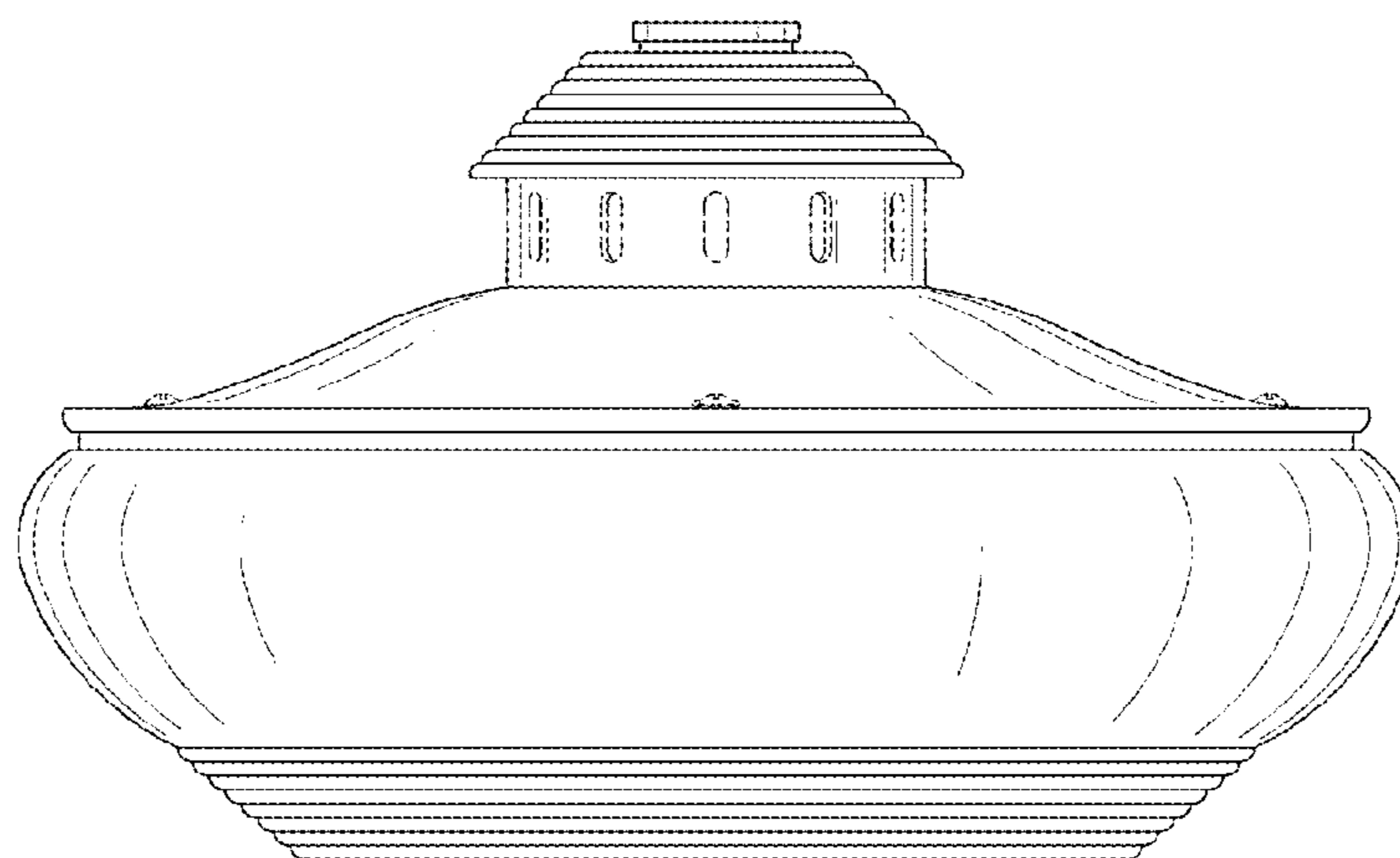


FIG. 4

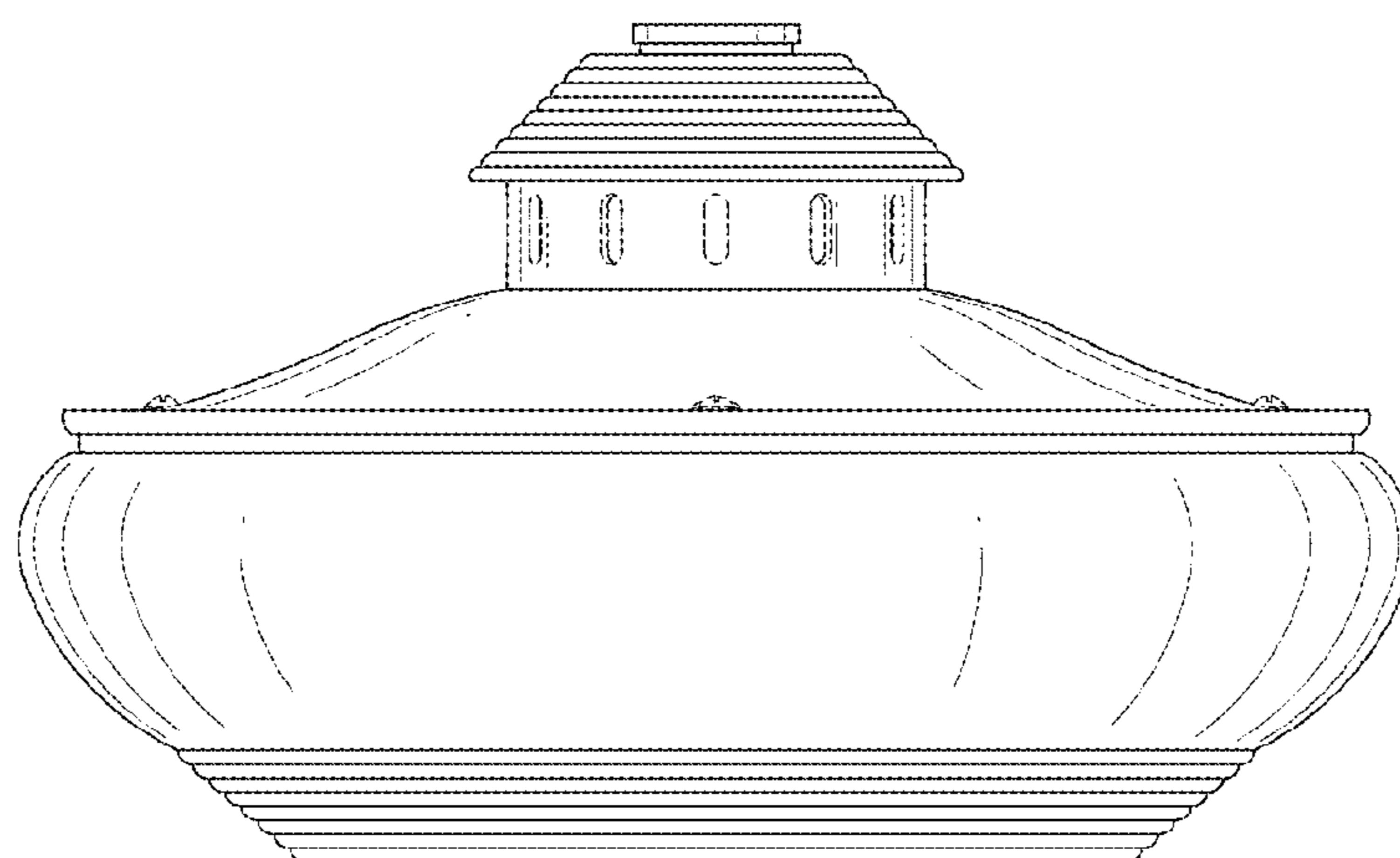


FIG. 5

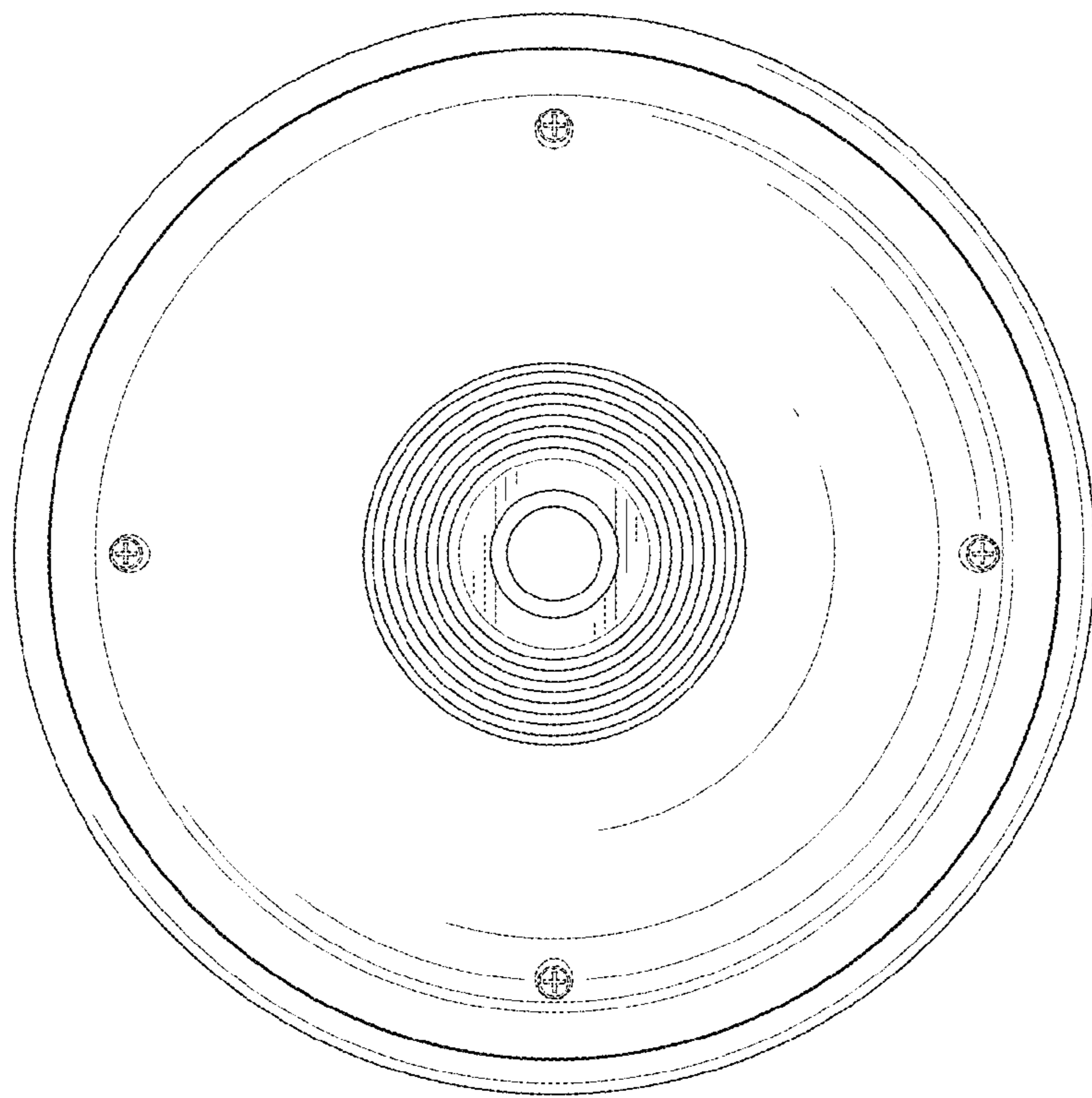


FIG. 6

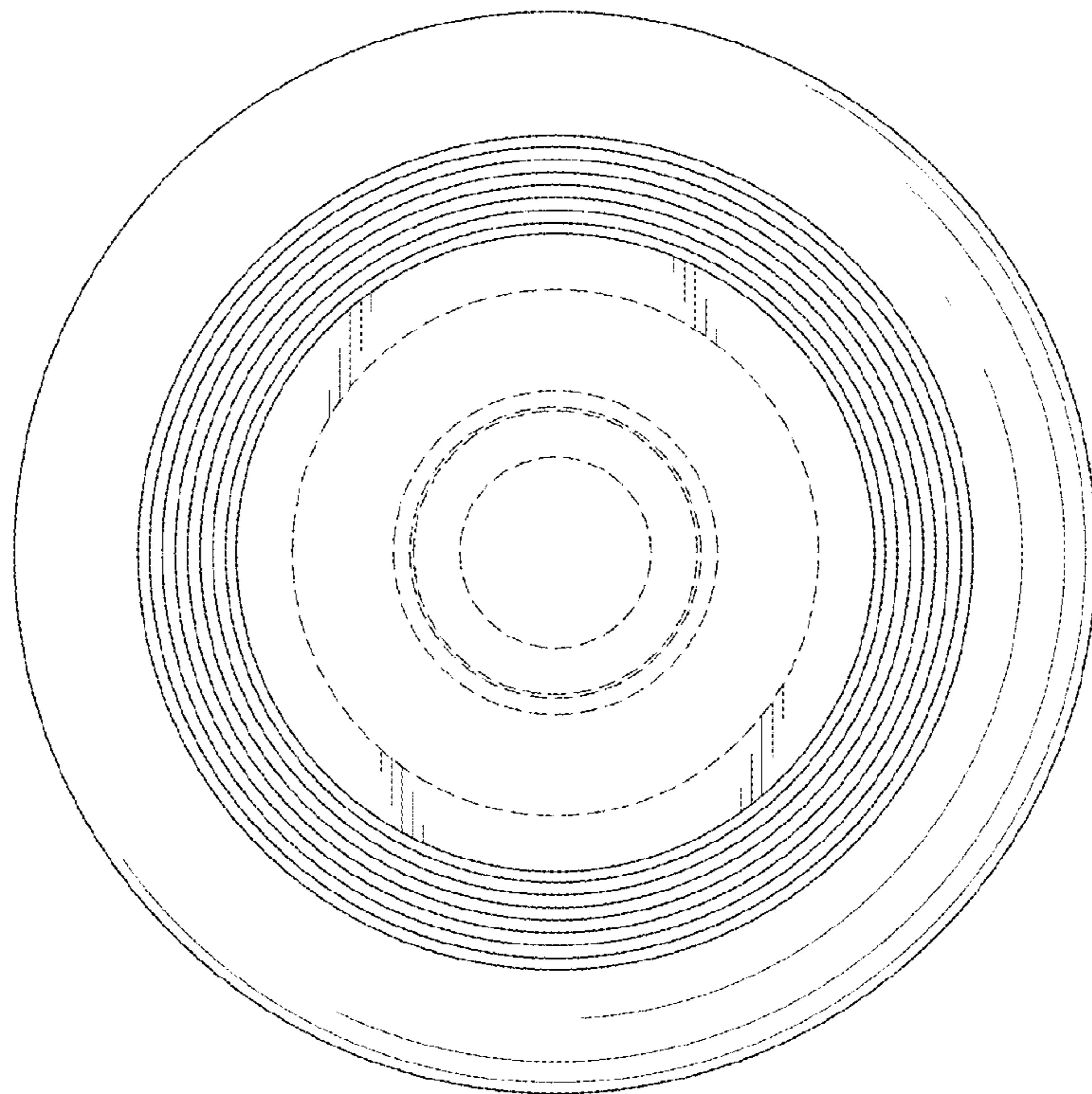


FIG. 7