



US00D707340S

(12) **United States Design Patent**
Pan

(10) **Patent No.:** **US D707,340 S**
(45) **Date of Patent:** **** Jun. 17, 2014**

- (54) **COMBINED CEILING FAN AND LIGHT KIT**
- (71) Applicant: **Air Cool Industrial Co., Ltd.**, Taichung (TW)
- (72) Inventor: **Peter Pan**, Taichung (TW)
- (73) Assignee: **Air Cool Industrial Co., Ltd.**, Taichung (TW)
- (**) Term: **14 Years**
- (21) Appl. No.: **29/436,474**
- (22) Filed: **Nov. 6, 2012**
- (51) **LOC (10) Cl.** **23-04**
- (52) **U.S. Cl.**
USPC **D23/377; D23/385**
- (58) **Field of Classification Search**
CPC F04D 25/088; F04D 25/08; F04D 29/34;
F04D 29/005; F04D 29/646; F04D 29/263;
F04D 25/06; F04D 29/20; F04D 29/242;
F04D 29/325; F04D 29/38; F04D 19/002;
F04D 1/04; F04D 29/322; Y02E 10/721;
F21V 33/00906; F21V 21/03; F21Y 2103/022;
F21Y 2103/02; F03D 1/0691; F03D 3/005;
F03D 1/0666; F03D 1/0675; F03D 3/002;
F05B 2250/25
USPC D23/385, 370–384, 411–414, 386–394,
D23/499; D26/51, 59, 72, 73, 80–86,
D26/88–90; 165/244; 362/96, 294; 416/5,
416/170 R, 214 R, 184, 206, 207, 21 OR,
416/220 R, 244 R, 248; 417/423.1; 392/364
See application file for complete search history.

(56) **References Cited**

U.S. PATENT DOCUMENTS

D279,216 S * 6/1985 Mango et al. D23/362
D328,951 S * 8/1992 Scofield et al. D23/411
D354,369 S * 1/1995 Pearce D26/85

5,462,412 A * 10/1995 Scofield et al. 416/210 R
D451,592 S * 12/2001 Dolan D23/411
D453,218 S * 1/2002 Hidalgo D23/377
D453,826 S * 2/2002 Hidalgo D23/377
D470,931 S * 2/2003 Hidalgo D23/377
D477,073 S * 7/2003 Hsieh D23/413
D480,793 S * 10/2003 Burns D23/411
D483,850 S * 12/2003 Tai D23/377
D484,588 S * 12/2003 Tai D23/377
D484,969 S * 1/2004 Tai D23/413
D485,609 S * 1/2004 Tai D23/377
D501,922 S * 2/2005 Hidalgo D23/413
D505,198 S * 5/2005 Liu D23/413
D512,498 S * 12/2005 Hidalgo D23/377
D514,215 S * 1/2006 Hidalgo D23/377
D516,195 S * 2/2006 Hidalgo D23/377
D516,206 S * 2/2006 Pickett D23/413
D516,703 S * 3/2006 Gajewski D23/411
D517,201 S * 3/2006 Gajewski D23/413
D520,131 S * 5/2006 Hidalgo D23/377

(Continued)

Primary Examiner — Susan Bennett Hattan

Assistant Examiner — Marie Fast Horse

(74) *Attorney, Agent, or Firm* — Ming Chow; Sinorica, LLC

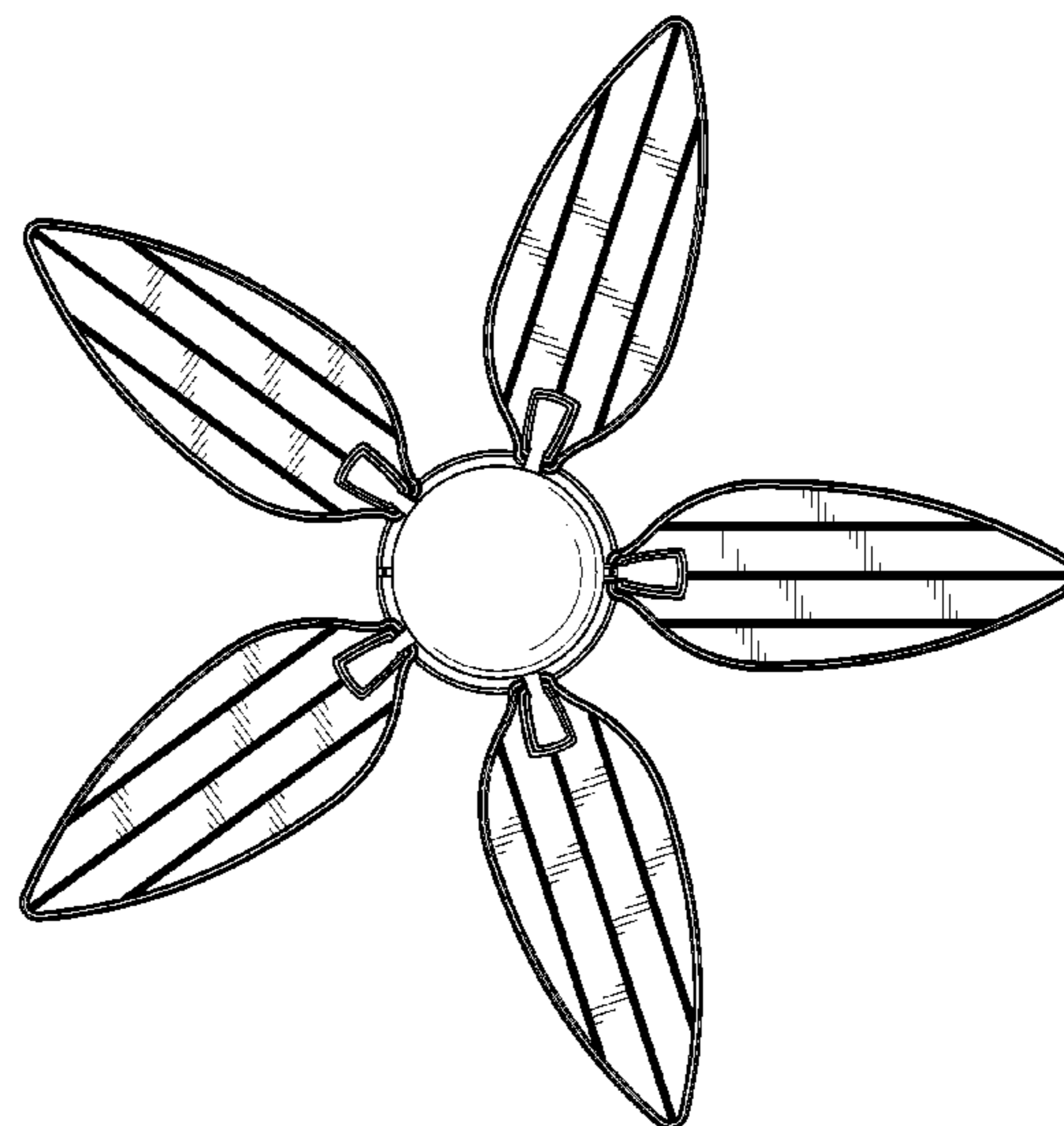
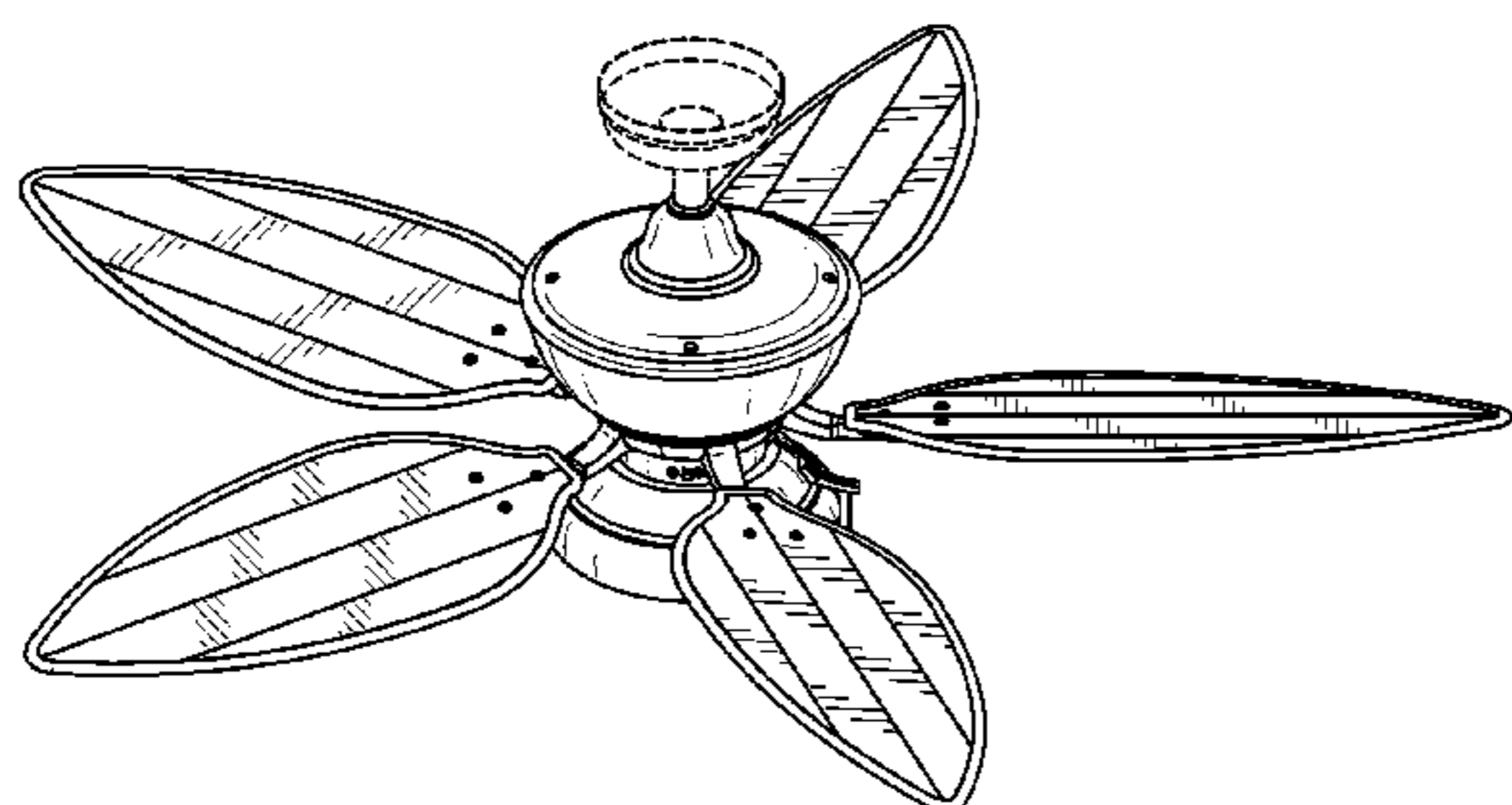
(57) **CLAIM**

I claim the ornamental design for a combined ceiling fan and light kit, as shown and described.

DESCRIPTION

FIG. 1 is a front perspective view of a combined ceiling fan and light kit showing my new design;
FIG. 2 is a front elevational view thereof;
FIG. 3 is a rear elevational view thereof.
FIG. 4 is a left side elevational view thereof;
FIG. 5 is a right side elevational view thereof;
FIG. 6 is a top plan view thereof; and,
FIG. 7 is a bottom plan view thereof.
The broken lines in the drawings depict environmental subject matter only and form no part of the claimed design.

1 Claim, 5 Drawing Sheets



(56)

References Cited

U.S. PATENT DOCUMENTS

D522,643 S *	6/2006	Hidalgo	D23/377	D565,725 S *	4/2008	Badarello	D23/413
D524,434 S *	7/2006	Hidalgo	D23/377	D565,726 S *	4/2008	Hidalgo	D23/413
D527,450 S *	8/2006	Hidalgo	D23/377	D574,946 S *	8/2008	Hidalgo	D23/377
D530,415 S *	10/2006	Hidalgo	D23/377	D580,545 S *	11/2008	Pickett	D23/411
D531,722 S *	11/2006	Ertze	D23/413	D586,903 S *	2/2009	Hidalgo	D23/413
D532,902 S *	11/2006	Pan	D23/411	D594,540 S *	6/2009	Pan	D23/377
D542,461 S *	5/2007	Hidalgo	D26/128	D594,543 S *	6/2009	Pan	D23/377
D545,422 S *	6/2007	Glasbrenner	D23/377	D626,211 S *	10/2010	Wang	D23/411
D547,433 S *	7/2007	Wang	D23/411	D627,052 S *	11/2010	Pan	D23/411
D551,337 S *	9/2007	Pickett	D23/411	D628,286 S *	11/2010	Yang	D23/411
D555,239 S *	11/2007	Shurtleff	D23/413	7,857,592 B2 *	12/2010	Bucher et al.	416/210 R
D562,967 S *	2/2008	Pickett	D23/411	D632,382 S *	2/2011	Pan	D23/377
D565,168 S *	3/2008	Hidalgo	D23/377	D633,194 S *	2/2011	Frampton	D23/413
					D672,448 S *	12/2012	Passauer, III	D23/377
					2005/0058503 A1 *	3/2005	Li	403/349
					2007/0297911 A1 *	12/2007	Brookins	416/244 R

* cited by examiner

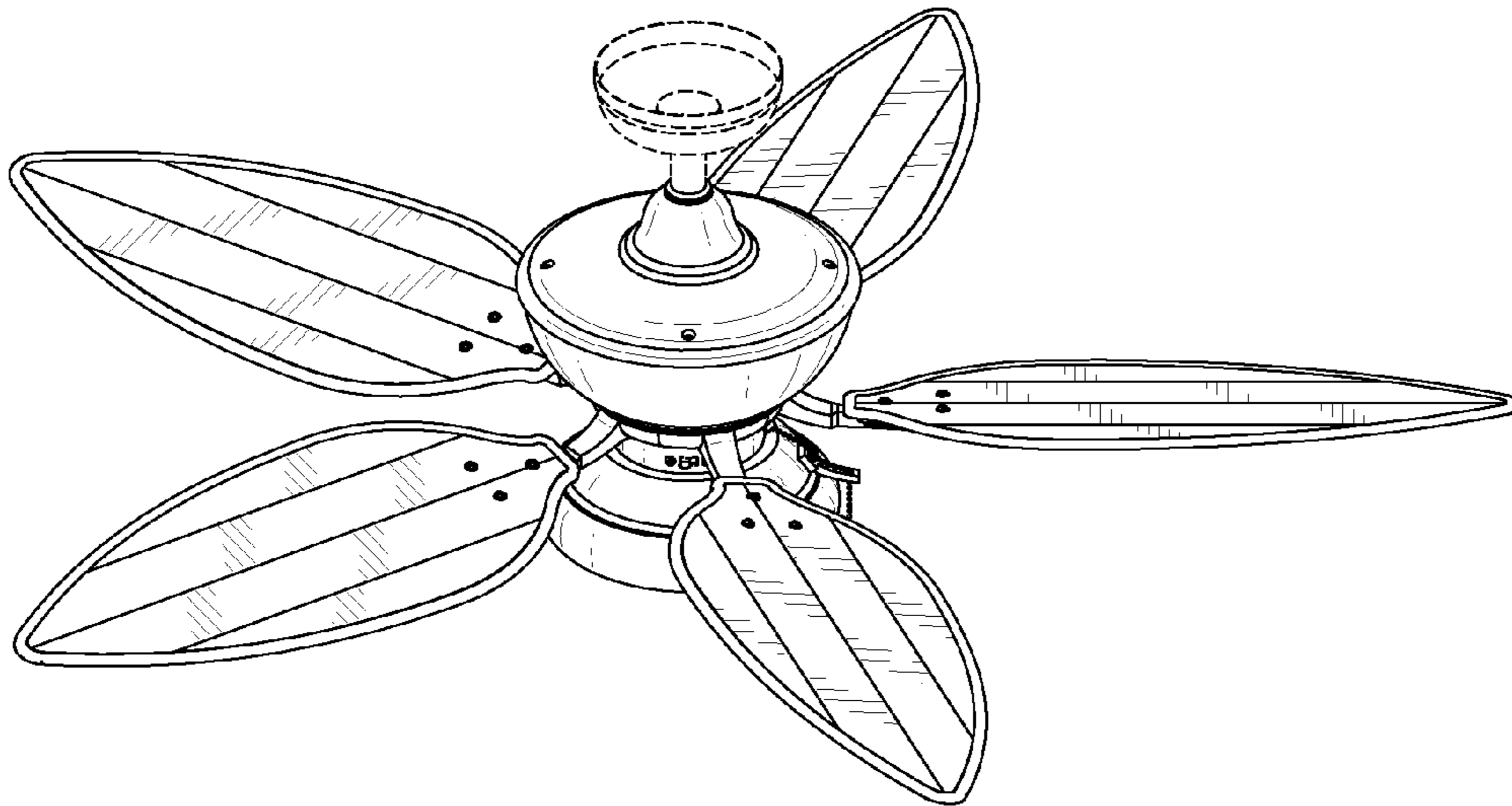


FIG. 1

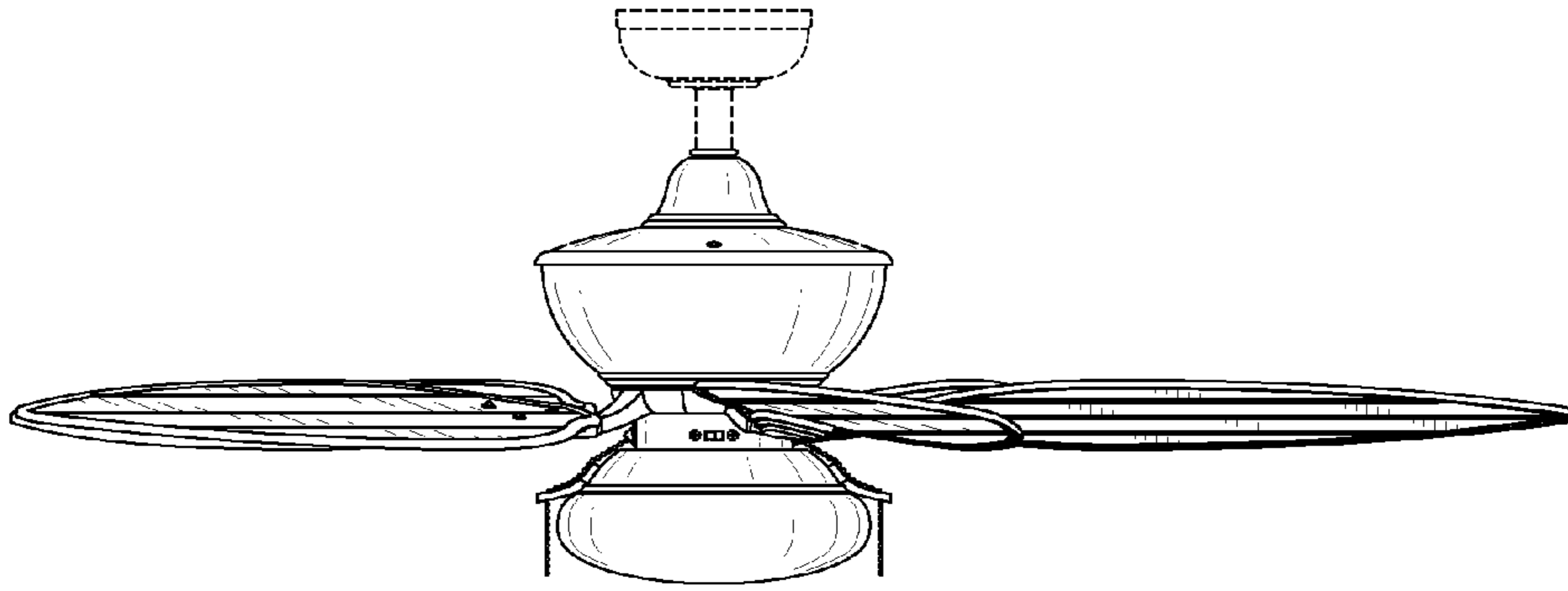


FIG. 2

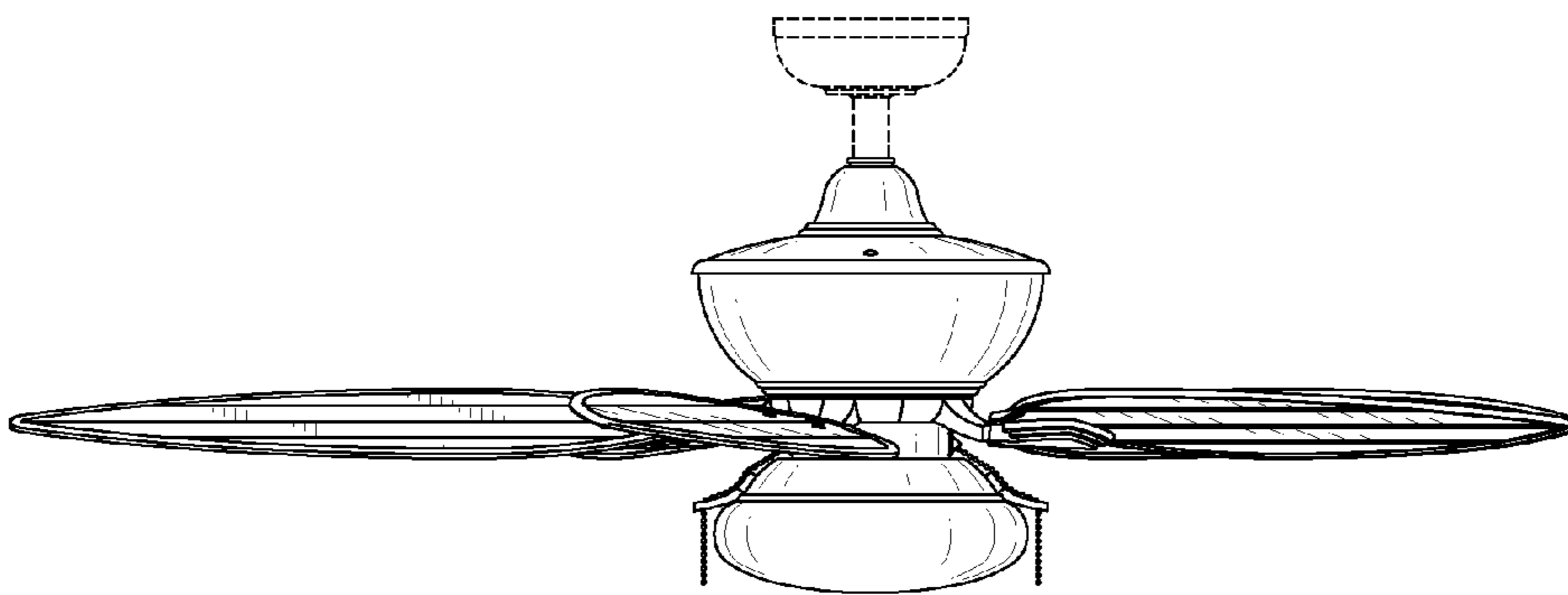


FIG. 3

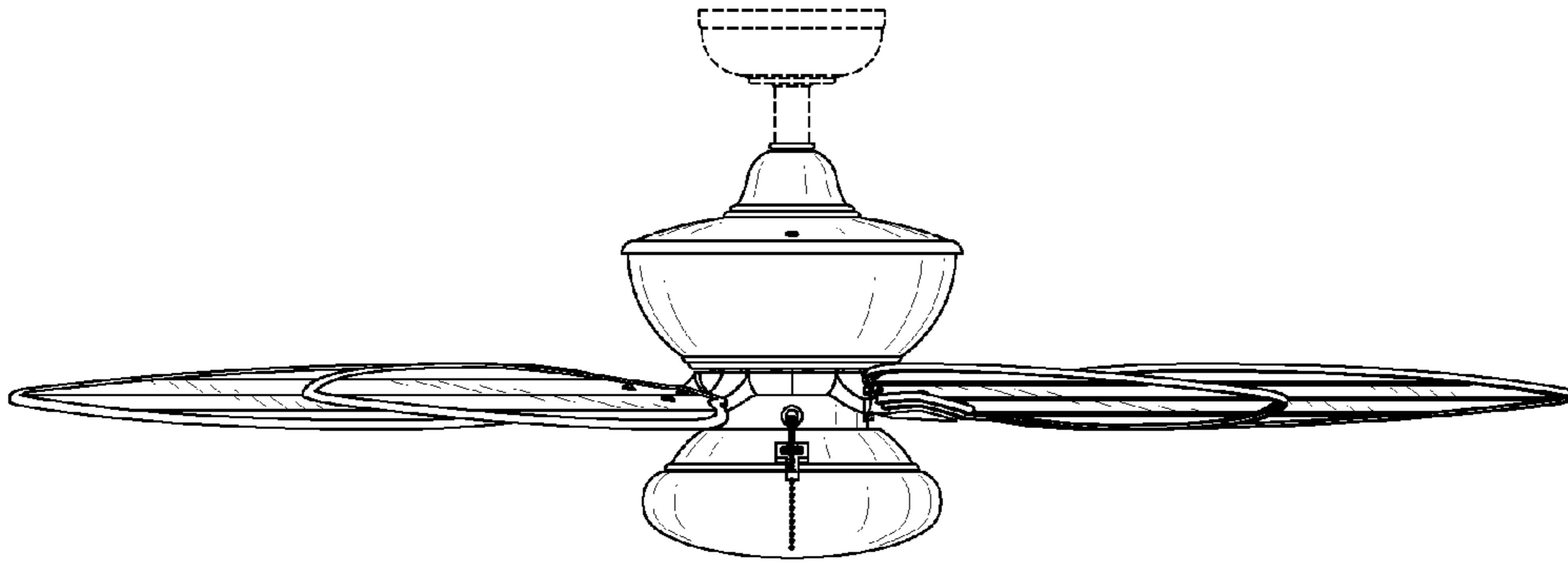


FIG. 4

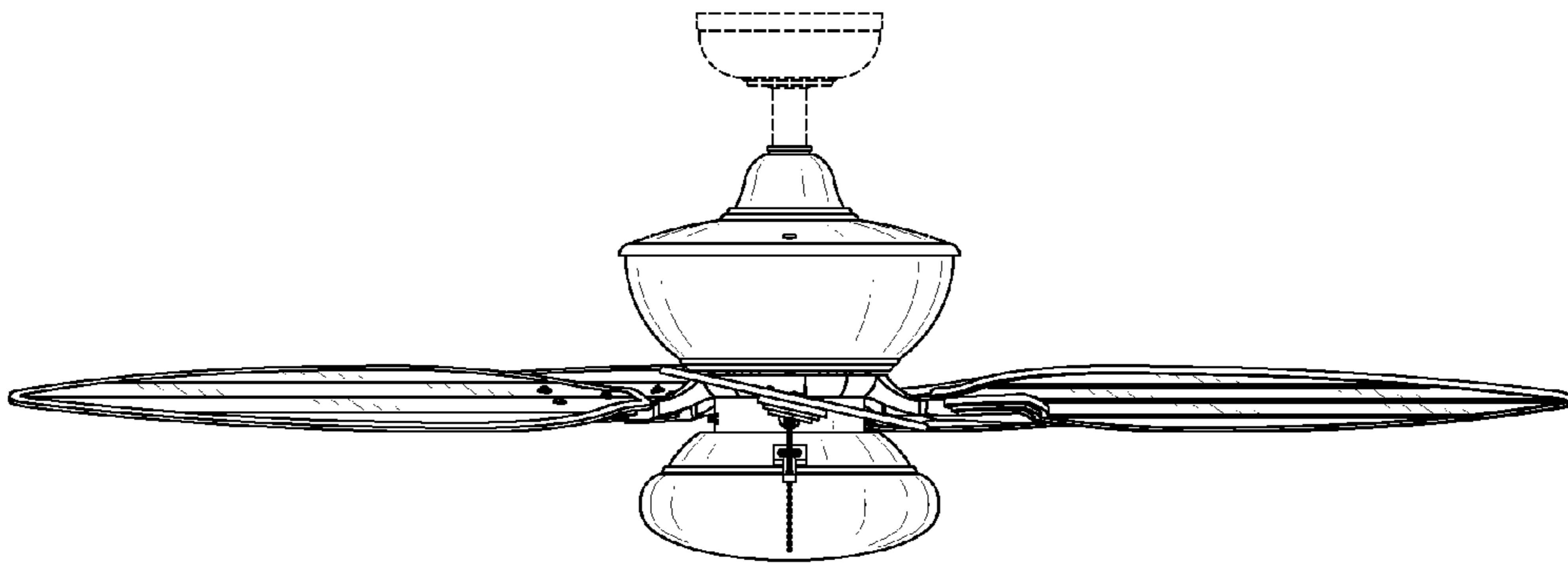


FIG. 5

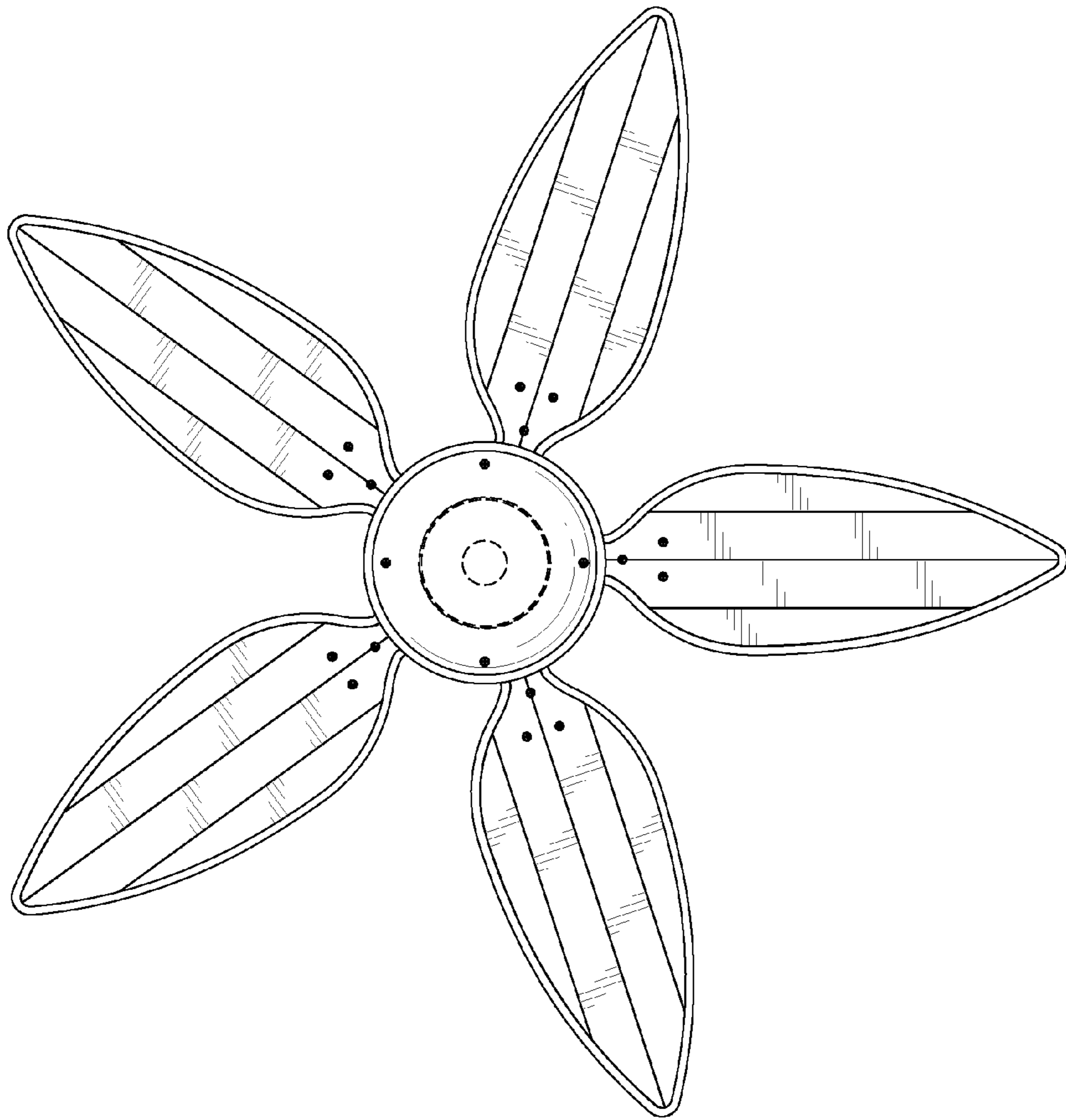


FIG. 6

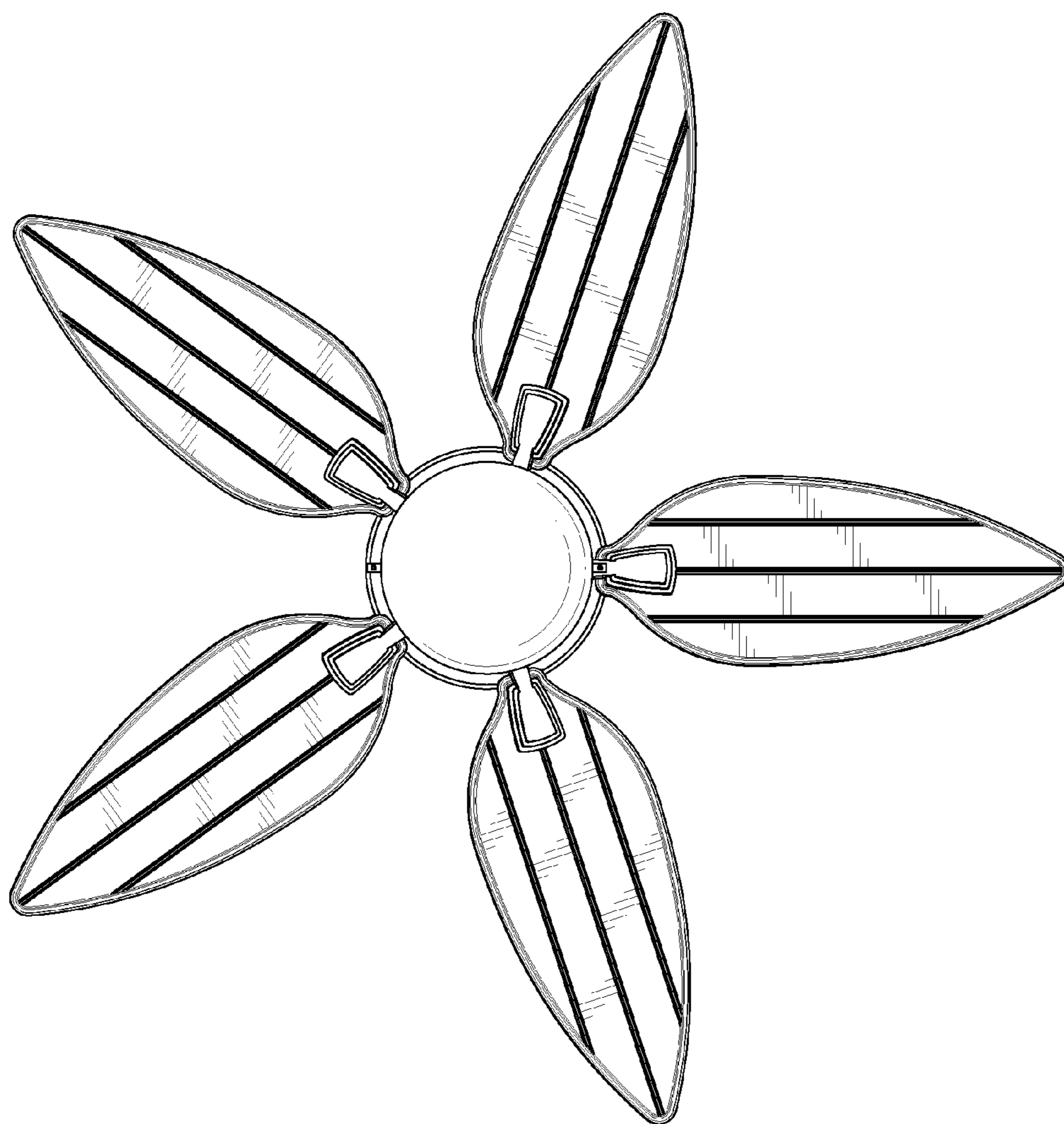


FIG. 7