



US00D707337S

(12) **United States Design Patent**
McDonnell

(10) **Patent No.:** **US D707,337 S**
(45) **Date of Patent:** **** Jun. 17, 2014**

(54) **CONVERTIBLE HUMIDIFIER**

(71) Applicant: **Great Innovations, Inc.**, Miramar, FL (US)
(72) Inventor: **Joseph A. McDonnell**, Weston, FL (US)
(73) Assignee: **Great Innovations, LLC**, Miramar, FL (US)
(**) Term: **14 Years**

(21) Appl. No.: **29/432,987**

(22) Filed: **Sep. 24, 2012**

(51) **LOC (10) Cl.** **23-04**

(52) **U.S. Cl.**
USPC **D23/356**

(58) **Field of Classification Search**
USPC D23/355-366, 352, 369, 332, 333, 335,
D23/336, 342, 351; 422/120, 122; 96/97;
D14/188, 170, 172; 261/DIG. 17,
261/DIG. 65, DIG. 88, DIG. 31; D18/34.6
See application file for complete search history.

(56) **References Cited**

U.S. PATENT DOCUMENTS

D350,190	S	*	8/1994	Clawson et al.	D23/358
D447,796	S	*	9/2001	Resmo et al.	D23/386
D452,301	S	*	12/2001	Schwartz et al.	D23/328
D472,623	S	*	4/2003	Bossler	D23/328
D553,231	S	*	10/2007	Li	D23/366
D616,972	S	*	6/2010	Wang	D23/332
D620,569	S	*	7/2010	Hall et al.	D23/332
D635,653	S	*	4/2011	Conway et al.	D23/355
D654,577	S	*	2/2012	Smith et al.	D23/332
D655,610	S	*	3/2012	Rice et al.	D9/529
D686,716	S	*	7/2013	Smith	D23/332
D688,360	S	*	8/2013	Paz	D23/332

D689,998 S * 9/2013 Carbone et al. D23/366

* cited by examiner

Primary Examiner — David Muller

(74) *Attorney, Agent, or Firm* — Bass, Berry & Sims, PLC

(57) **CLAIM**

The ornamental design for a convertible humidifier, as shown and described.

DESCRIPTION

FIG. 1 is a front perspective view of an embodiment of a convertible humidifier showing my new design;

FIG. 2 is a front view thereof;

FIG. 3 is a rear view thereof;

FIG. 4 is a left side view thereof;

FIG. 5 is a right side view thereof;

FIG. 6 is a top plan view thereof;

FIG. 7 is a bottom plan view thereof;

FIG. 8 is an exploded front view thereof;

FIG. 9 is a front perspective view of the convertible humidifier in an alternate configuration, with neck extension removed;

FIG. 10 is a front view of the convertible humidifier with neck extension removed;

FIG. 11 is a rear view of the convertible humidifier with neck extension removed;

FIG. 12 is a left side view of the convertible humidifier with neck extension removed;

FIG. 13 is a right side view of the convertible humidifier with neck extension removed;

FIG. 14 is a top plan view of the convertible humidifier with neck extension removed; and,

FIG. 15 is a bottom plan view of the convertible humidifier with neck extension removed.

The broken lines shown in the drawings are included for the purpose of illustrating environmental structure and form no part of the claimed design.

1 Claim, 13 Drawing Sheets

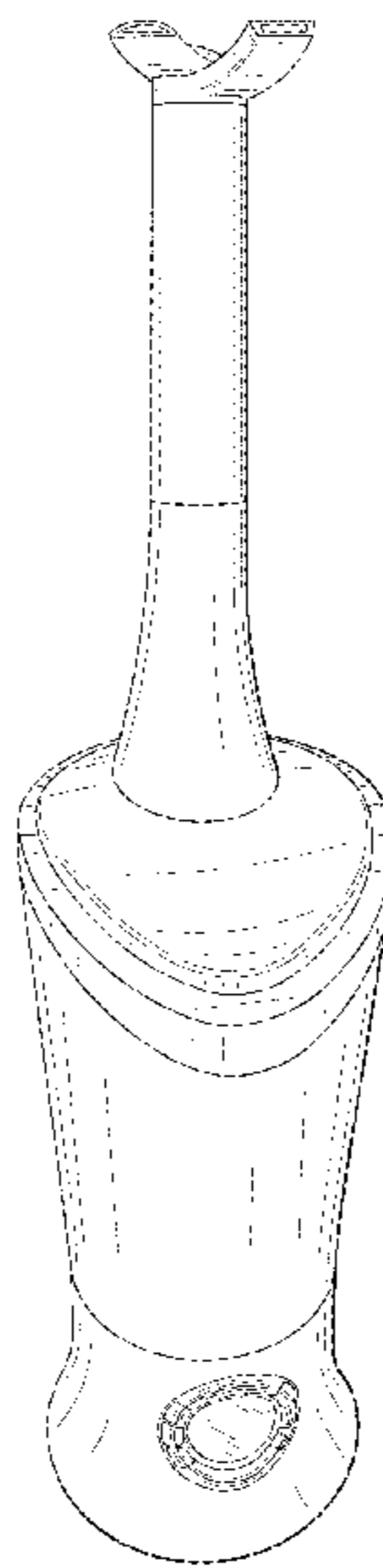


FIG. 1

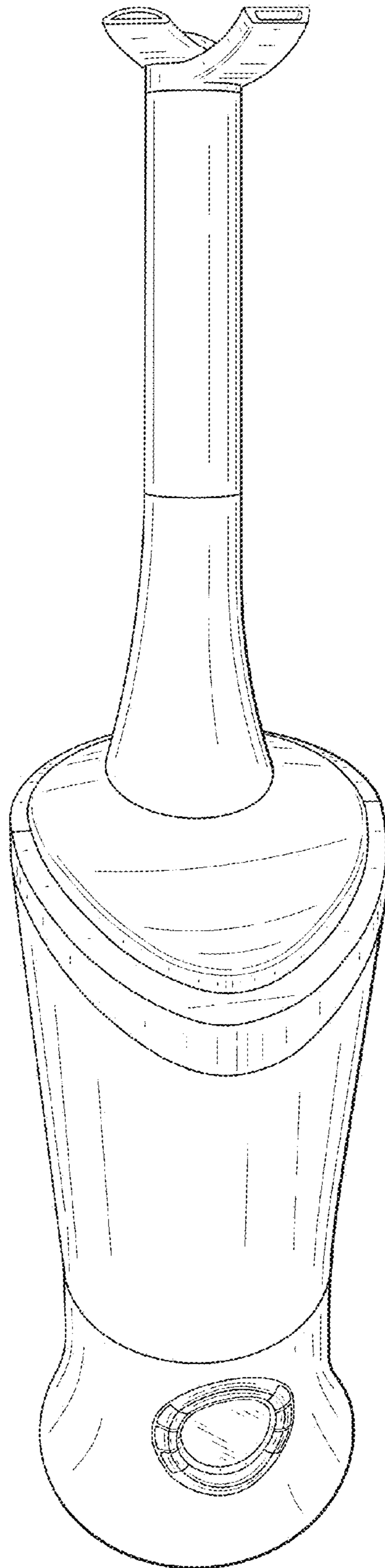


FIG. 2

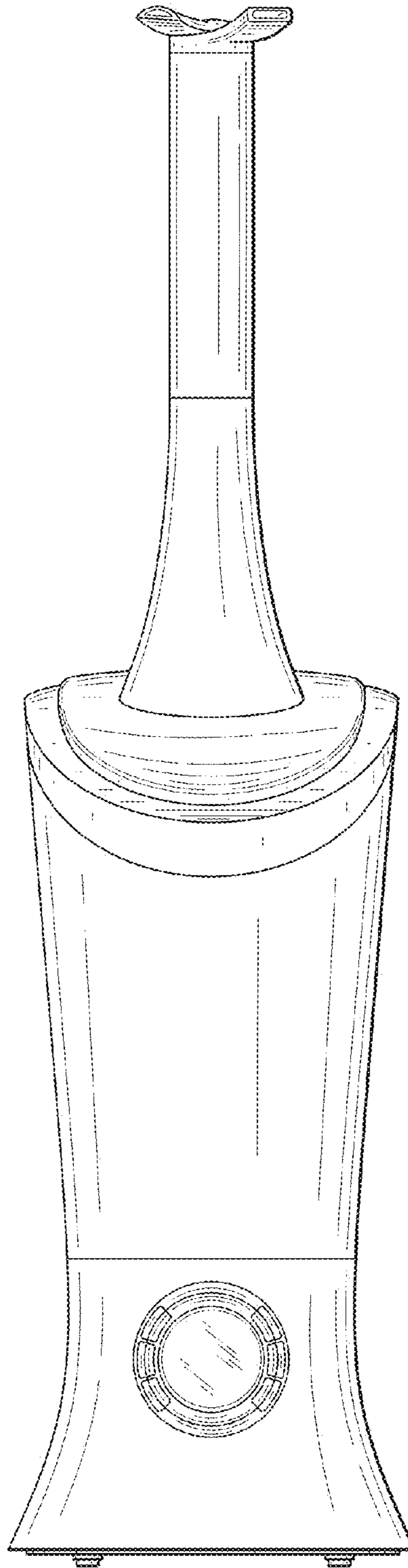


FIG. 3

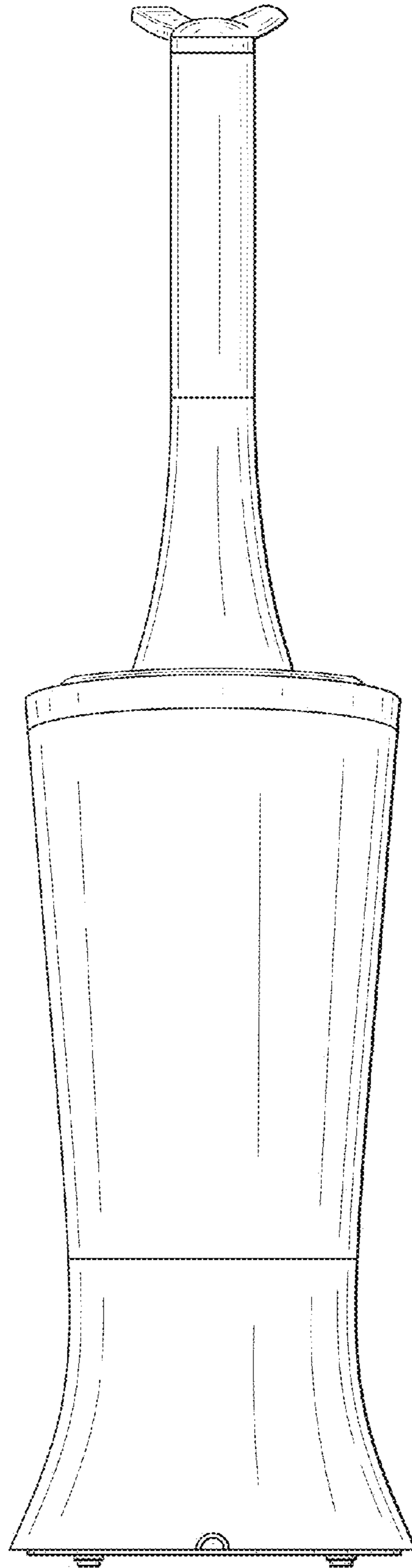


FIG. 4

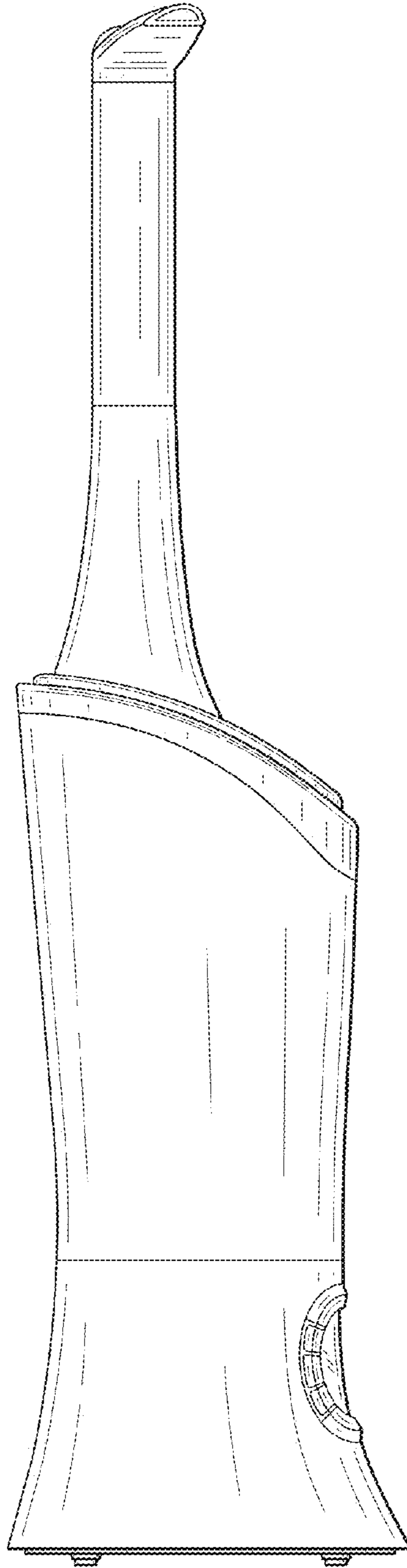


FIG. 5

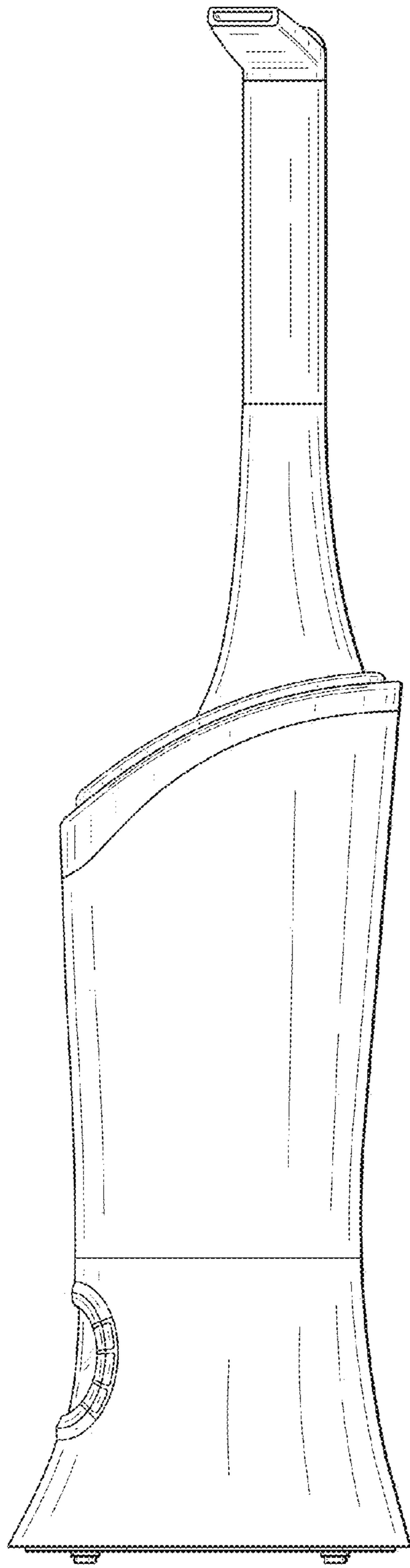


FIG. 6

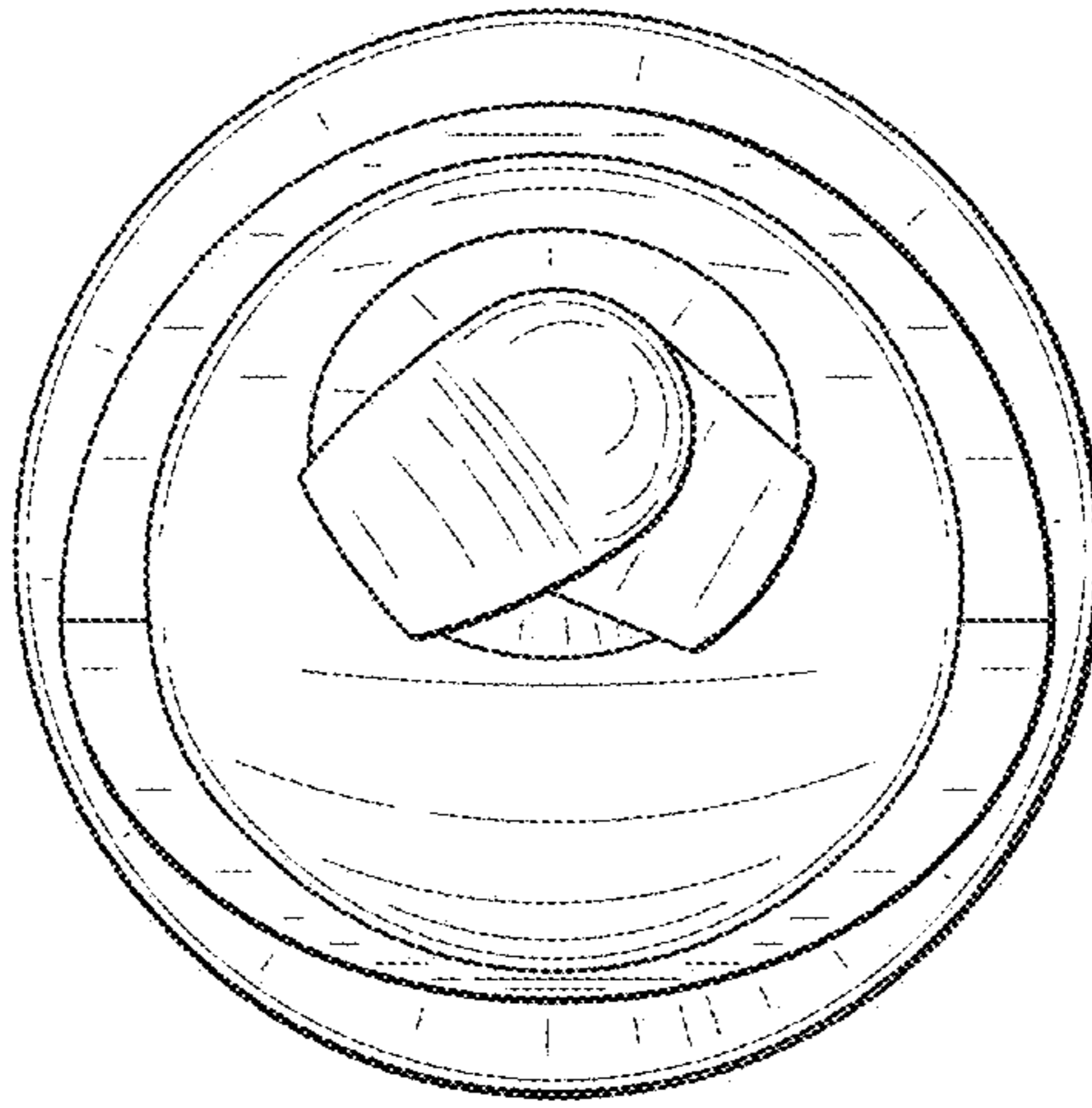


FIG. 7

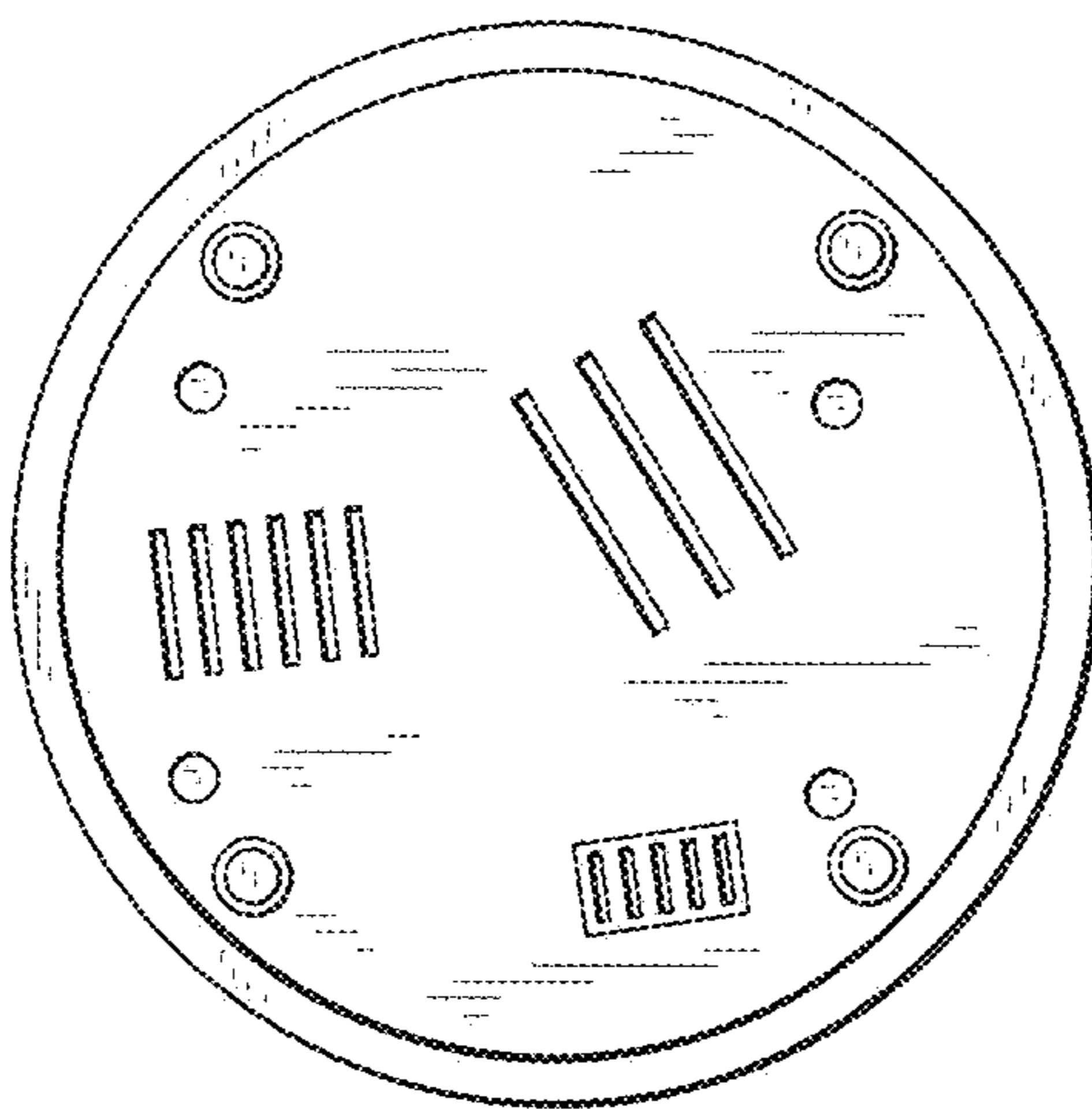


FIG. 8

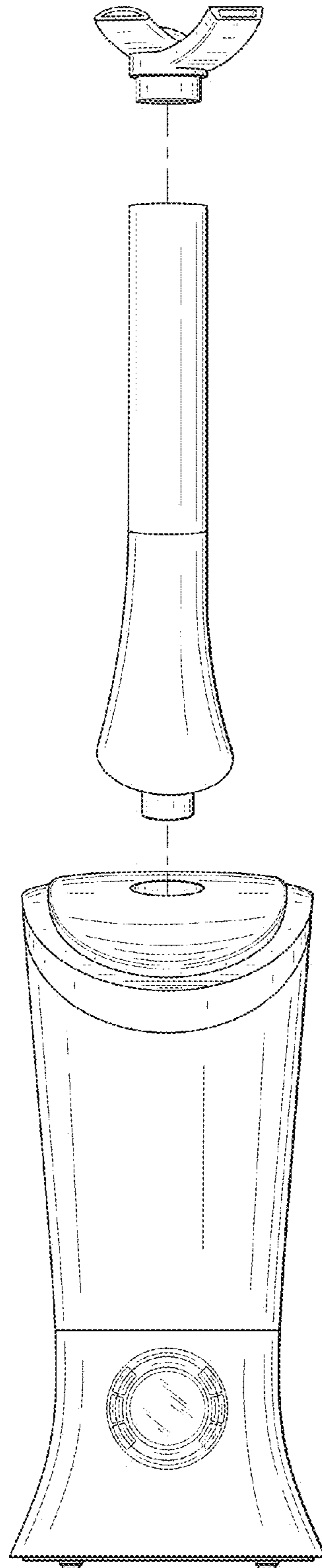


FIG. 9

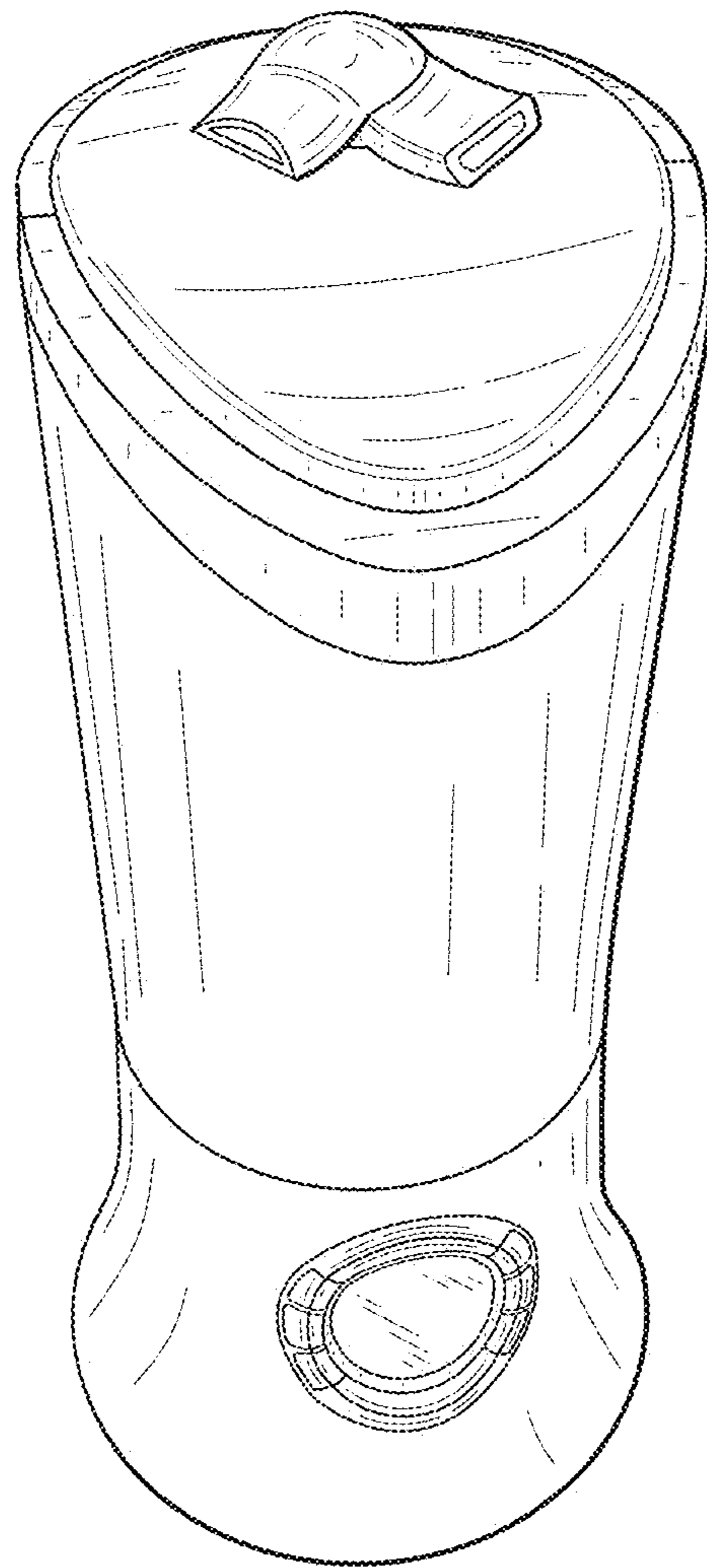


FIG. 10

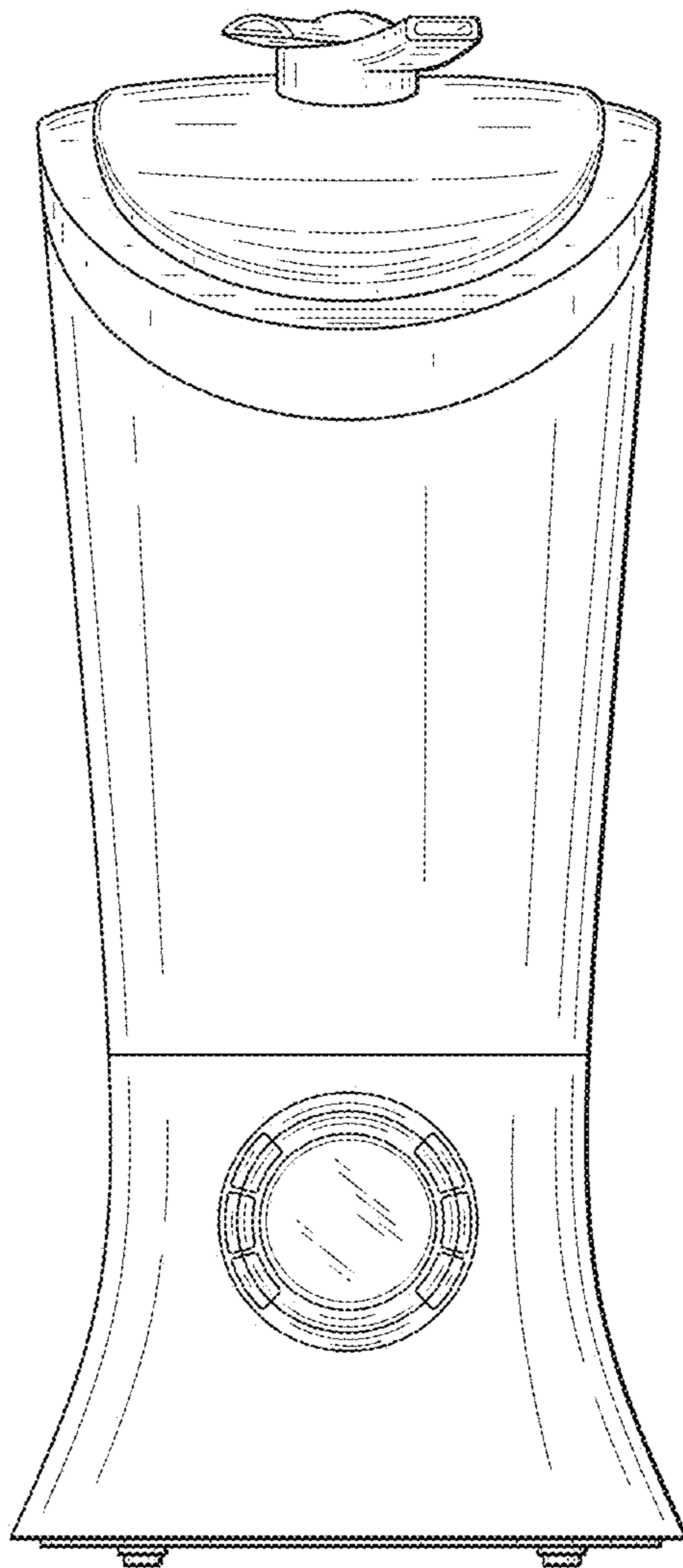


FIG. 11

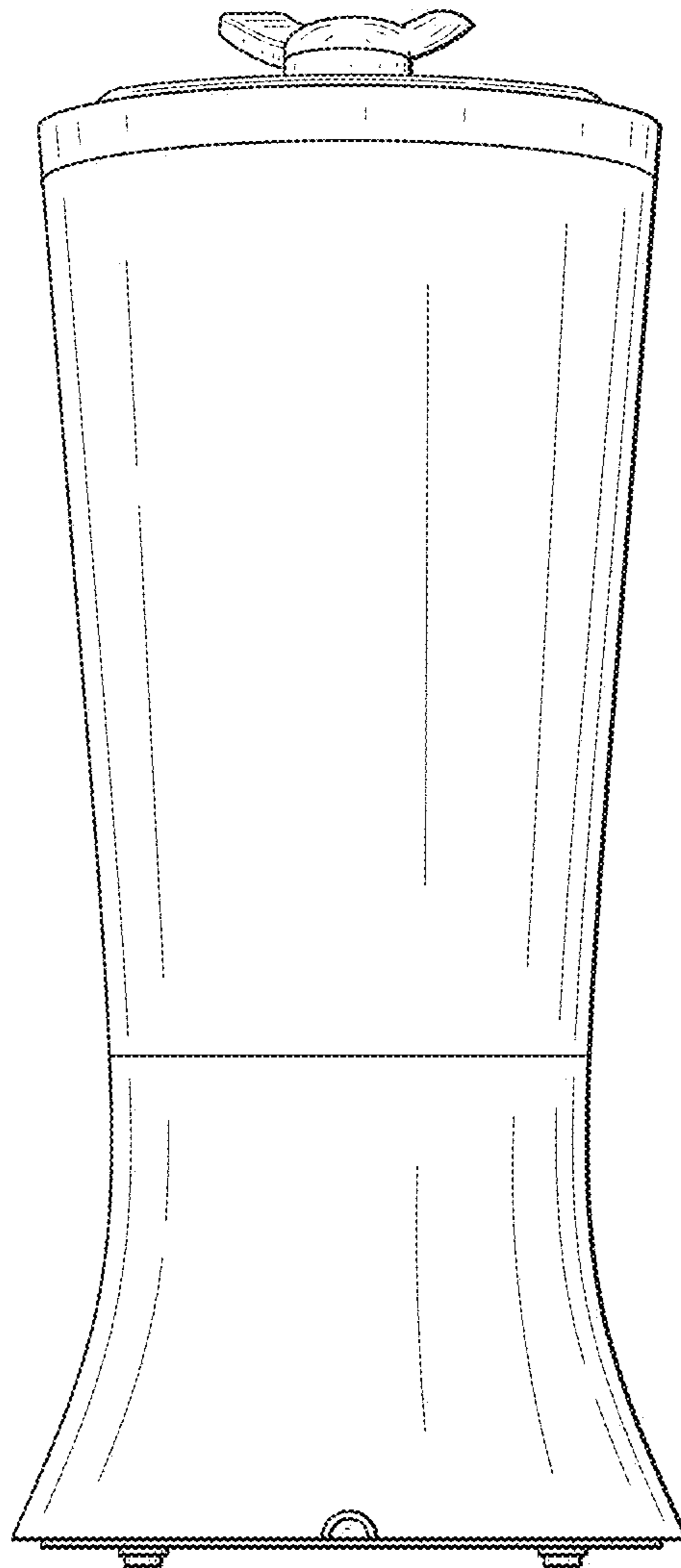


FIG. 12

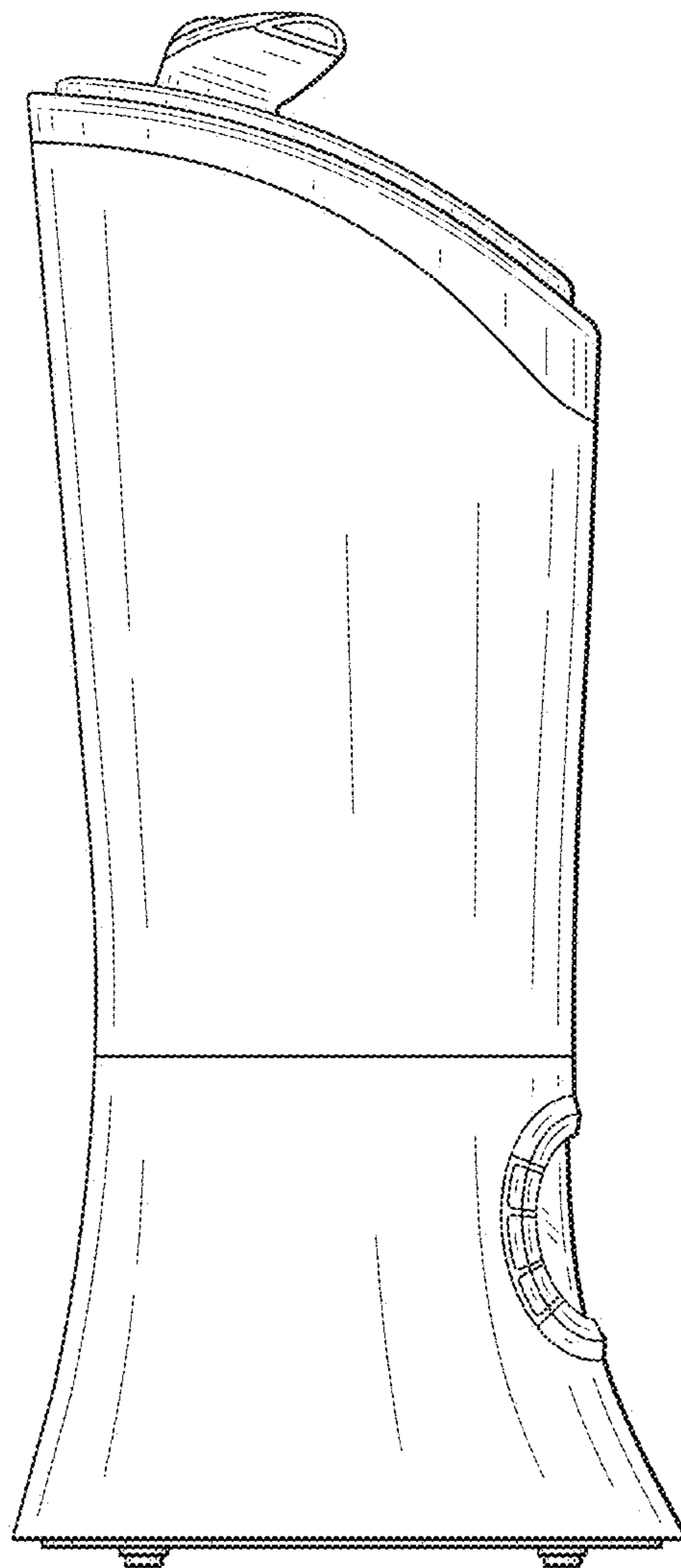


FIG. 13

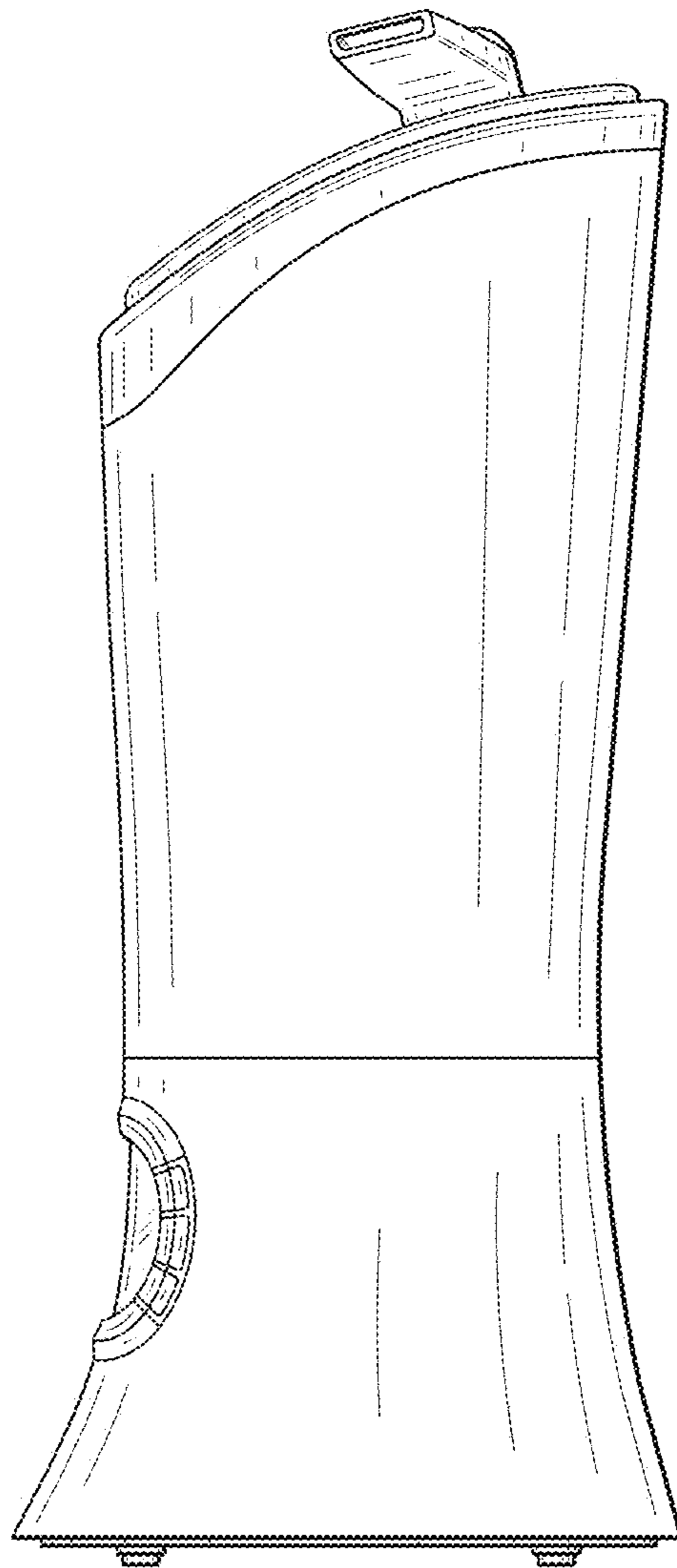


FIG. 14

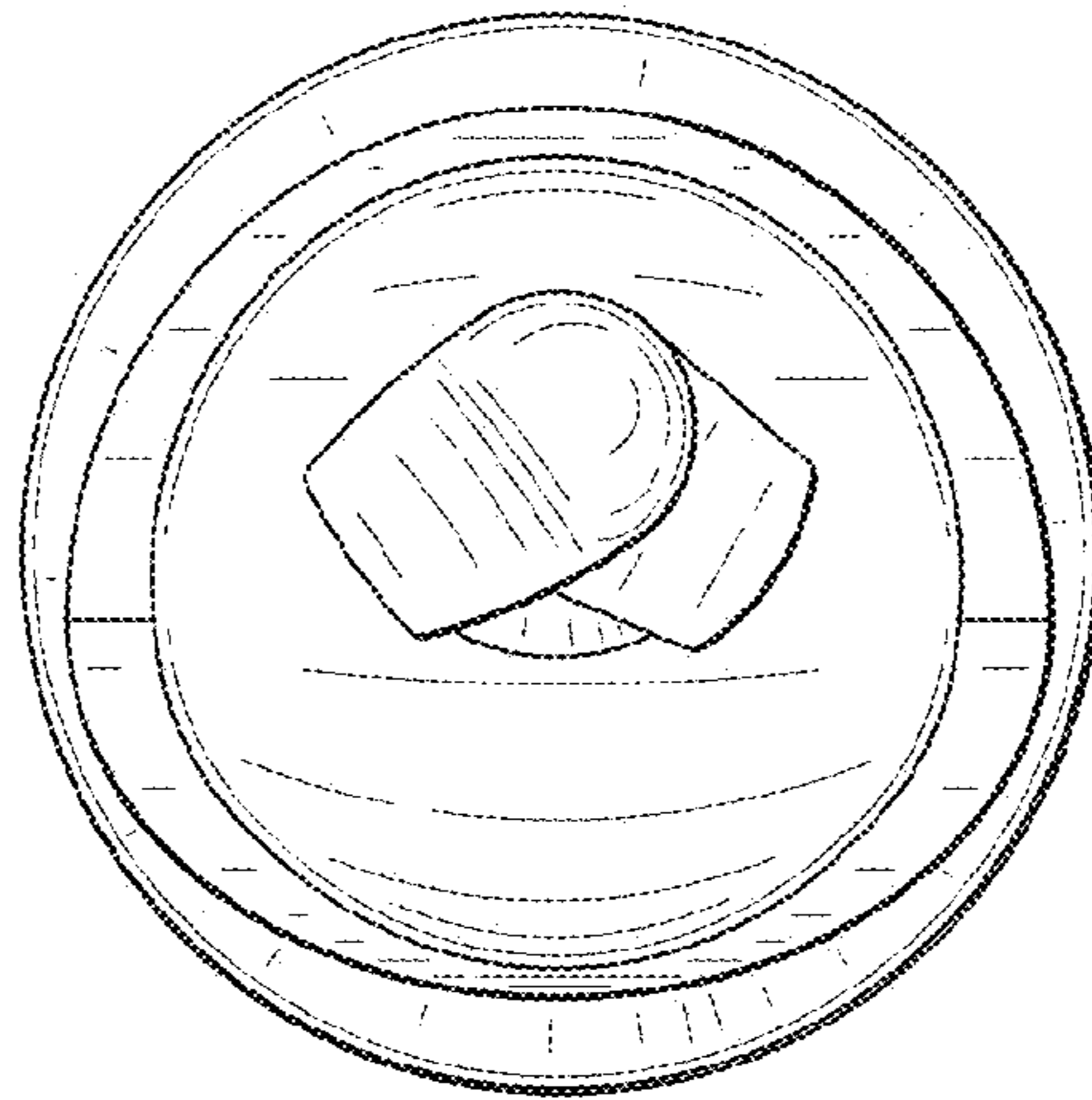


FIG. 15

