



US00D707336S

(12) **United States Design Patent**
Pan

(10) **Patent No.:** **US D707,336 S**
(45) **Date of Patent:** **** Jun. 17, 2014**

- (54) **CEILING FAN**
- (71) Applicant: **Air Cool Industrial Co., Ltd.**, Taichung (TW)
- (72) Inventor: **Peter Pan**, Taichung (TW)
- (73) Assignee: **Air Cool Industrial Co., Ltd.**, Taichung (TW)
- (**) Term: **14 Years**
- (21) Appl. No.: **29/436,466**
- (22) Filed: **Nov. 6, 2012**
- (51) **LOC (10) Cl.** **23-04**
- (52) **U.S. Cl.**
USPC **D23/337; D23/385**
- (58) **Field of Classification Search**
CPC F04D 25/088; F04D 25/08; F04D 29/34;
F04D 29/005; F04D 29/646; F04D 29/263;
F04D 25/06; F04D 29/20; F04D 29/242;
F04D 29/325; F04D 29/38; F04D 19/002;
F04D 1/04; F04D 29/322; Y02E 10/721;
F21V 33/0096; F21V 21/03; F21Y 2103/022;
F21Y 2103/02; F03D 1/0691; F03D 3/005;
F03D 1/0666; F03D 1/0675; F03D 3/002;
F05B 2250/25
USPC D23/385, 370–384, 411–414, 386–394,
D23/499; D26/51, 59, 72, 73, 80–86,
D26/88–90; 165/244; 362/96, 294; 416/5,
416/170 R, 214 R, 184, 206, 207, 210 R,
416/220 R, 244 R, 248; 417/423.1; 392/364
See application file for complete search history.

(56) **References Cited**

U.S. PATENT DOCUMENTS

- 1,133,191 A * 3/1915 Staples 416/214 R
- 2,142,080 A * 1/1939 Asplund 416/69
- 4,073,598 A * 2/1978 Mizutani et al. 416/5

- 4,592,702 A * 6/1986 Bogage 416/247 R
- D290,748 S * 7/1987 Kawai D23/377
- D292,313 S * 10/1987 Kawai D23/377
- D303,425 S * 9/1989 Sonneman D23/385
- D312,305 S * 11/1990 Weatherford D23/377
- D314,618 S * 2/1991 Yen D23/377
- D328,491 S * 8/1992 Markwardt D23/377
- D328,785 S * 8/1992 Markwardt D23/377
- D329,087 S * 9/1992 Markwardt D23/377
- D333,867 S * 3/1993 Markwardt D23/377
- D344,129 S * 2/1994 Markwardt D23/377
- D345,790 S * 4/1994 Caldwell D23/377
- D350,622 S * 9/1994 Gruber et al. D26/88
- D357,978 S * 5/1995 Young D23/377
- 5,645,403 A * 7/1997 Bogage 416/235
- D386,257 S * 11/1997 Liu D23/377
- D426,630 S * 6/2000 Gajewski D23/377
- D453,216 S * 1/2002 Gajewski D23/377
- D477,068 S * 7/2003 Hsieh D23/377
- D478,974 S * 8/2003 Hidalgo D23/377

(Continued)

Primary Examiner — Susan Bennett Hattan

Assistant Examiner — Marie Fast Horse

(74) *Attorney, Agent, or Firm* — Ming Chow; Sinorica, LLC

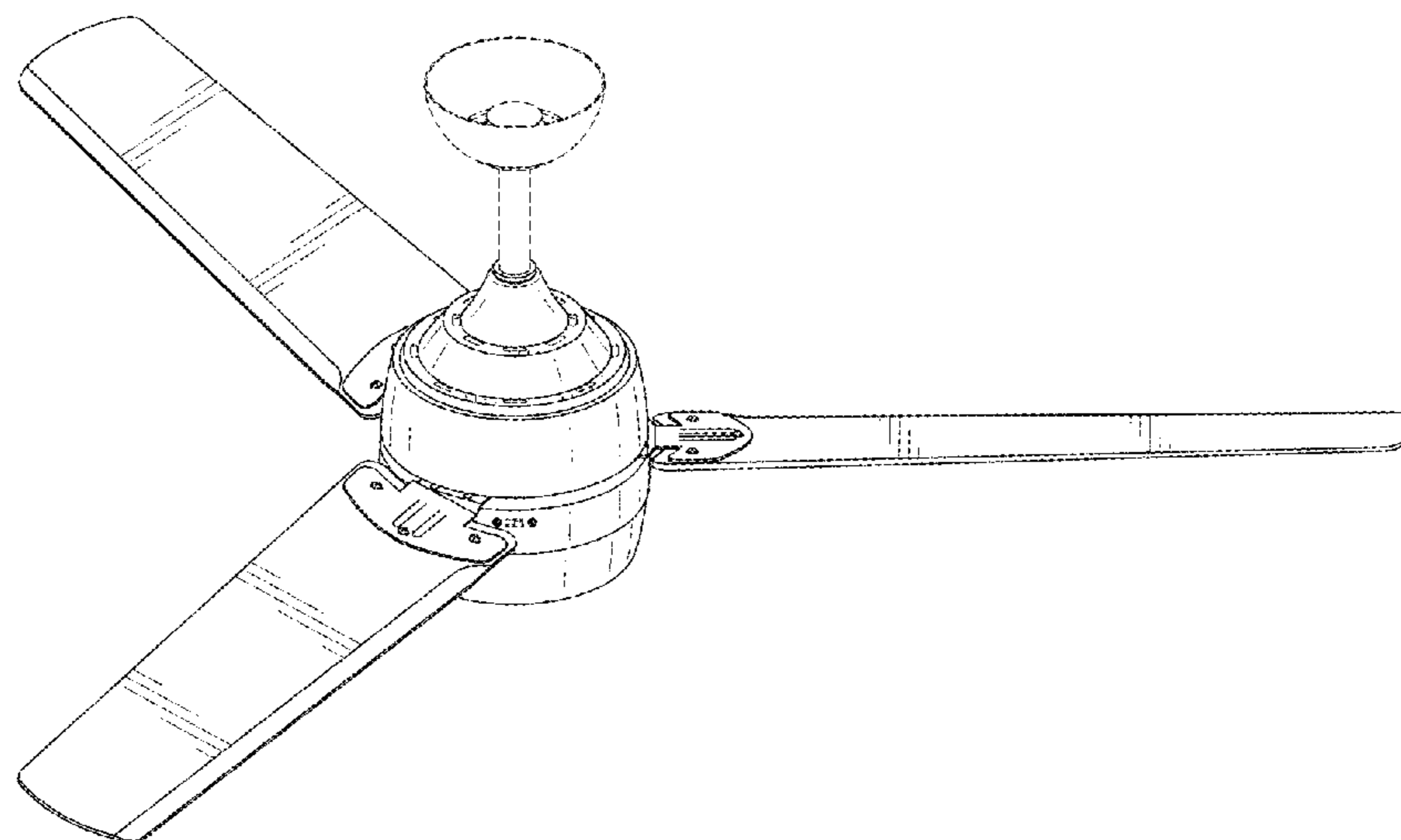
(57) **CLAIM**

I claim the ornamental design for a ceiling fan, as shown and described.

DESCRIPTION

FIG. 1 is a front perspective view of a ceiling fan showing my new design;
 FIG. 2 is a front elevational view thereof;
 FIG. 3 is a rear elevational view thereof.
 FIG. 4 is a left side elevational view thereof;
 FIG. 5 is a right side elevational view thereof;
 FIG. 6 is a top plan view thereof; and,
 FIG. 7 is a bottom plan view thereof.
 The broken lines in the drawings depict environmental subject matter only and form no part of the claimed design.

1 Claim, 5 Drawing Sheets



(56)

References Cited

U.S. PATENT DOCUMENTS

D490,510 S *	5/2004	Cohen	D23/379	D517,689 S *	3/2006	Tai	D23/413
D503,472 S *	3/2005	Tai	D23/413	D530,004 S *	10/2006	Curtin	D23/411
D503,473 S *	3/2005	Tai	D23/413	D603,955 S *	11/2009	Patton	D23/411
D503,474 S *	3/2005	Tai	D23/413	D609,799 S *	2/2010	Lee	D23/377
D503,475 S *	3/2005	Tai	D23/413	D627,874 S *	11/2010	Pan	D23/411
6,884,034 B1 *	4/2005	Parker et al.	416/1	D628,688 S *	12/2010	Pan	D23/377
D506,565 S *	6/2005	Yurich	D26/89	D632,381 S *	2/2011	Davenport et al.	D23/377
D516,208 S *	2/2006	Tai	D23/413	2004/0191087 A1 *	9/2004	Liu	417/326
					2011/0305571 A1 *	12/2011	Heim et al.	416/62
					2013/0272879 A1 *	10/2013	Chen	416/5

* cited by examiner

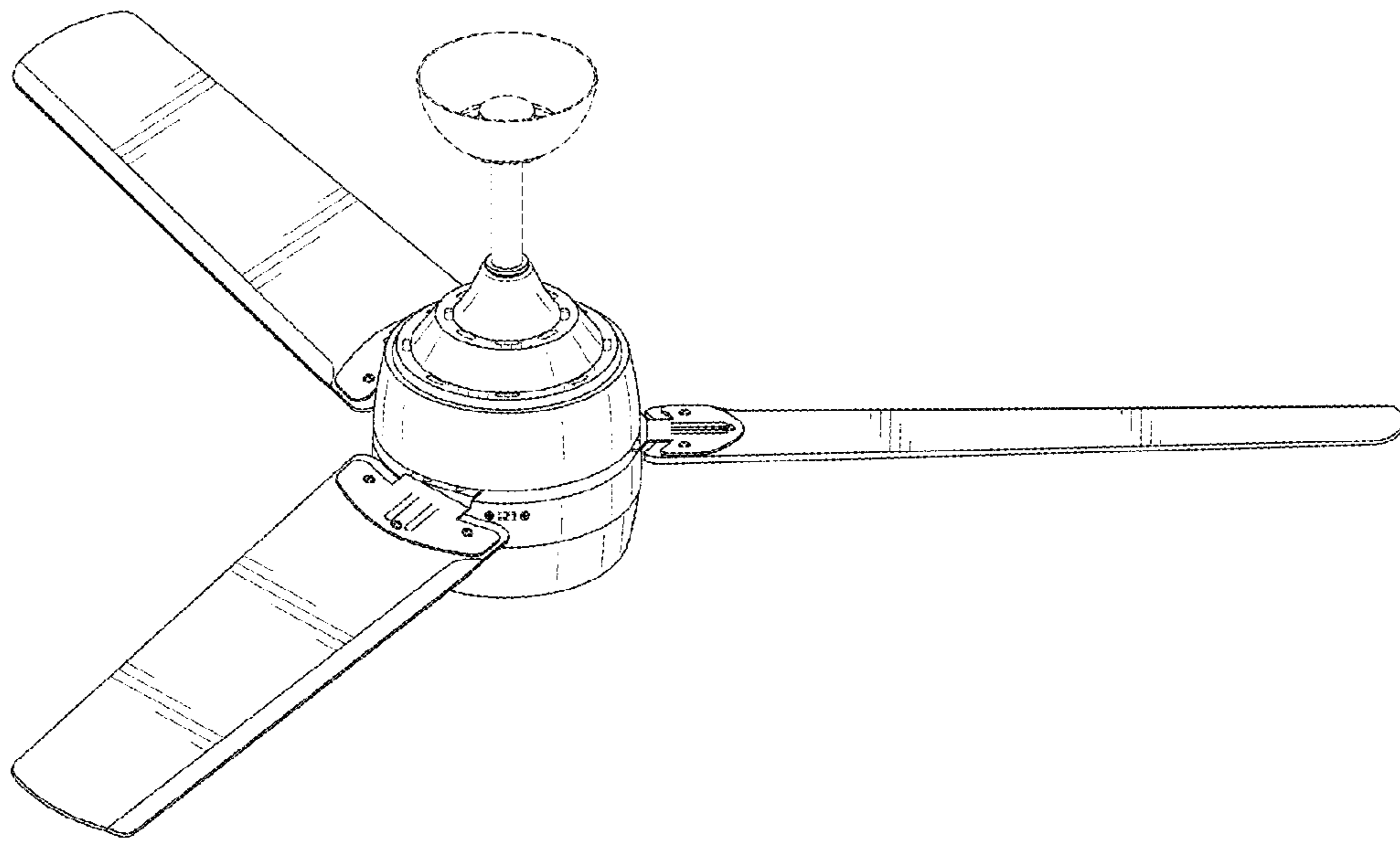


FIG. 1

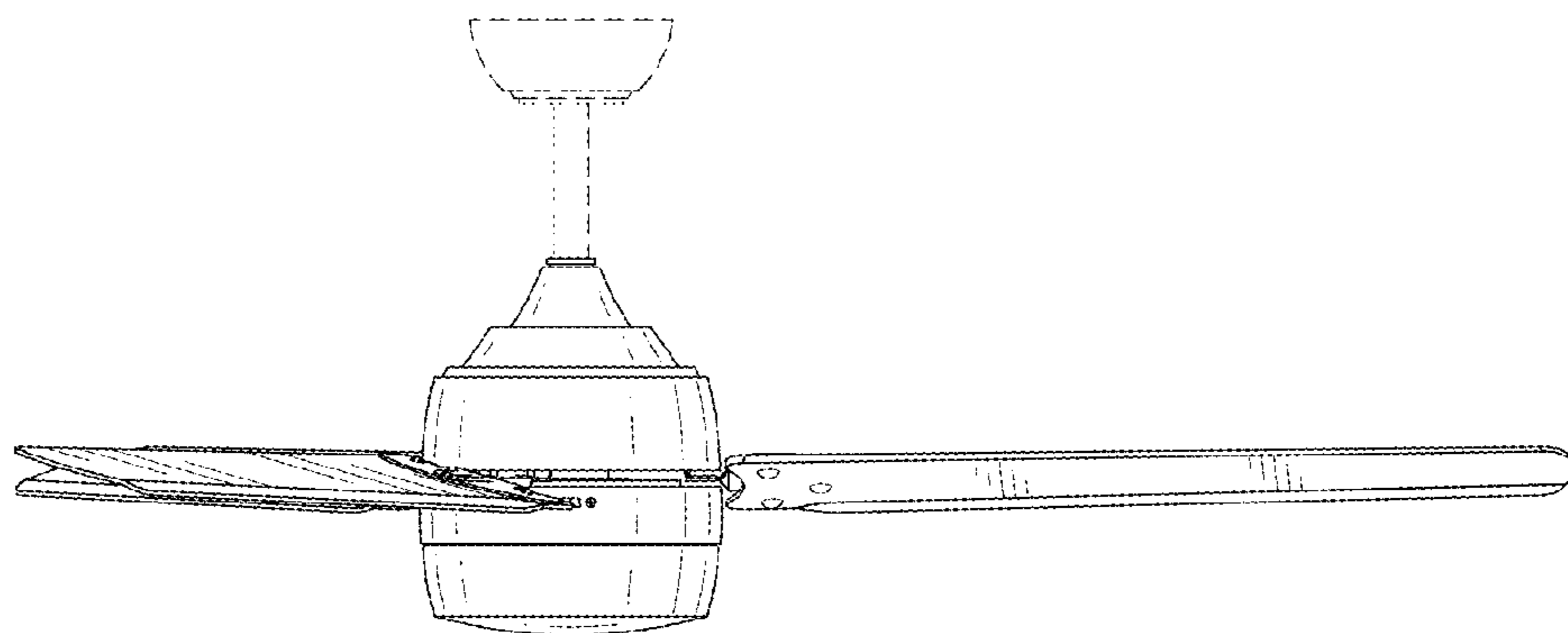


FIG. 2

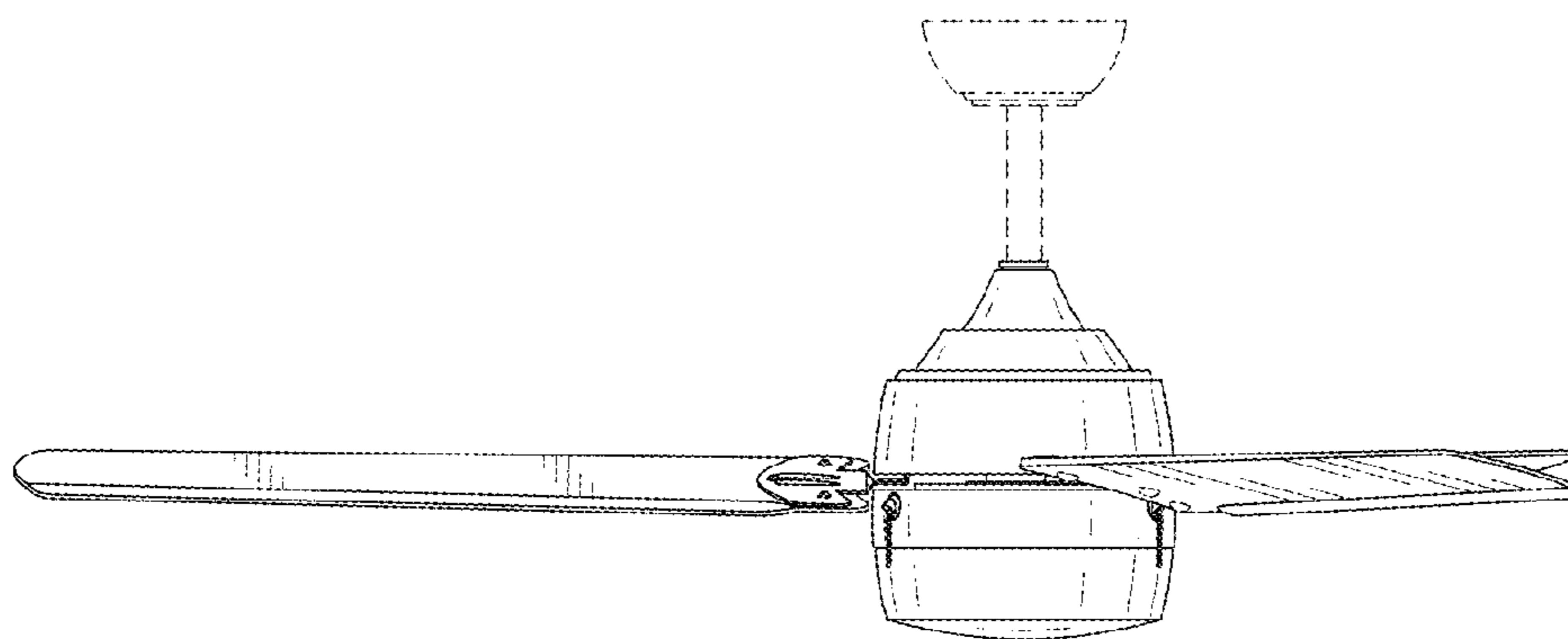


FIG. 3

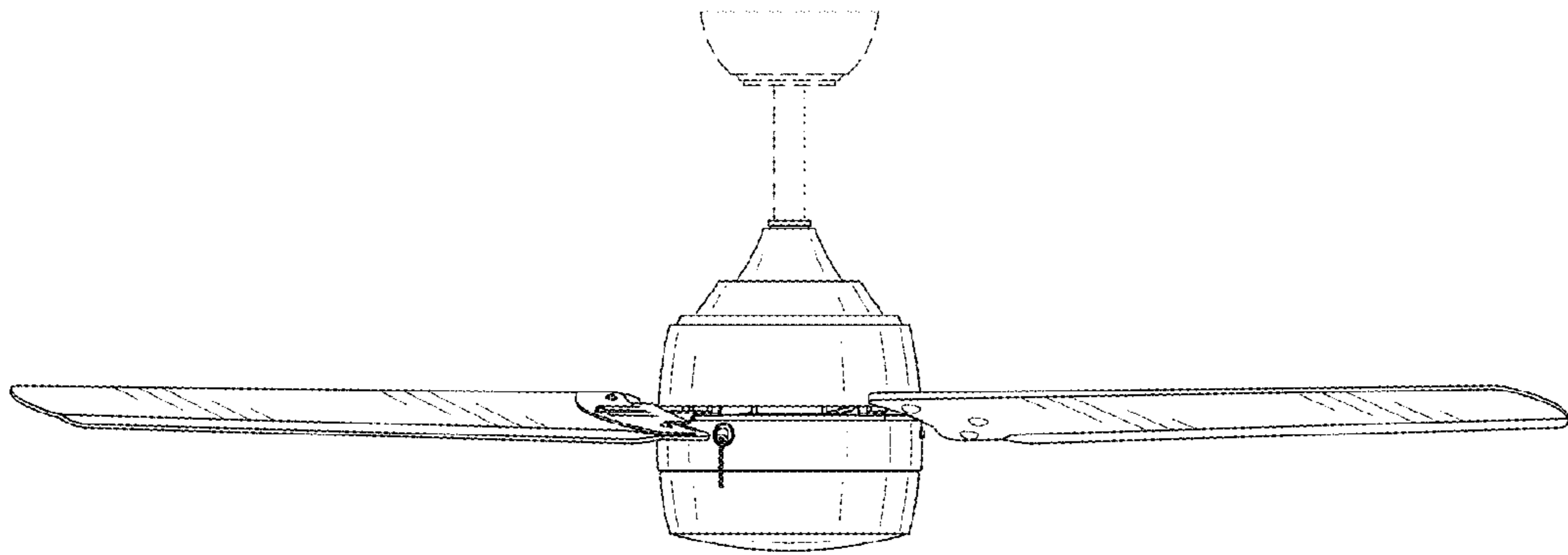


FIG. 4

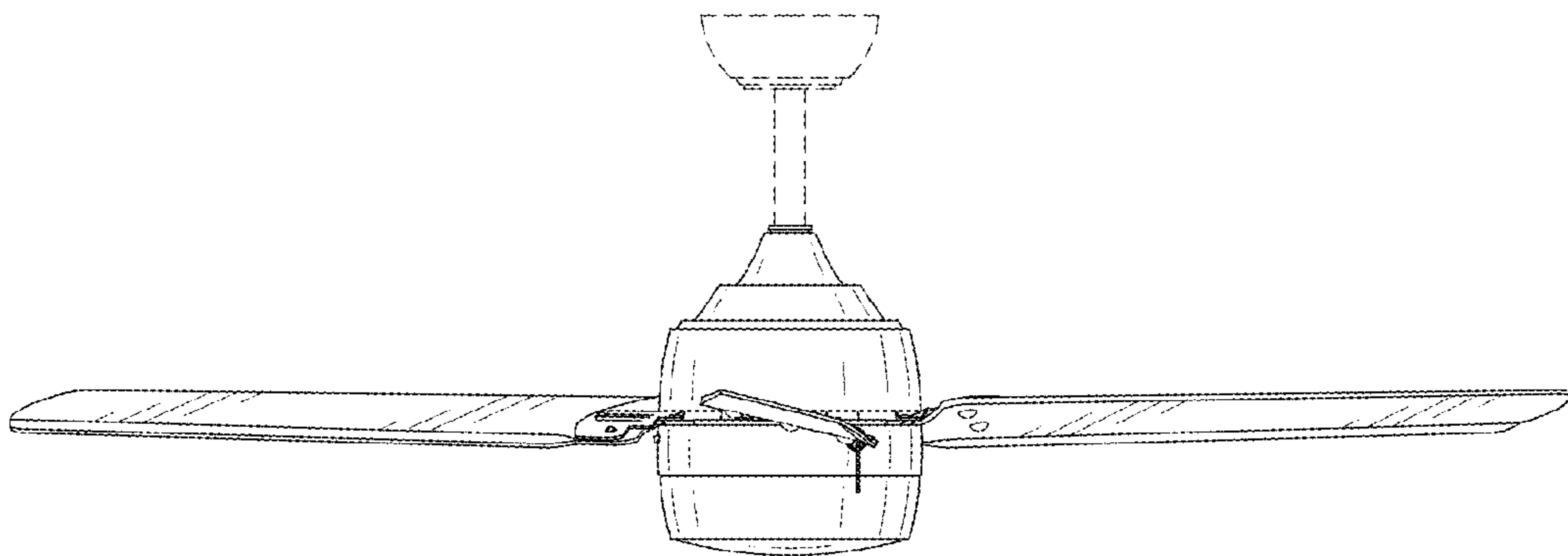


FIG. 5

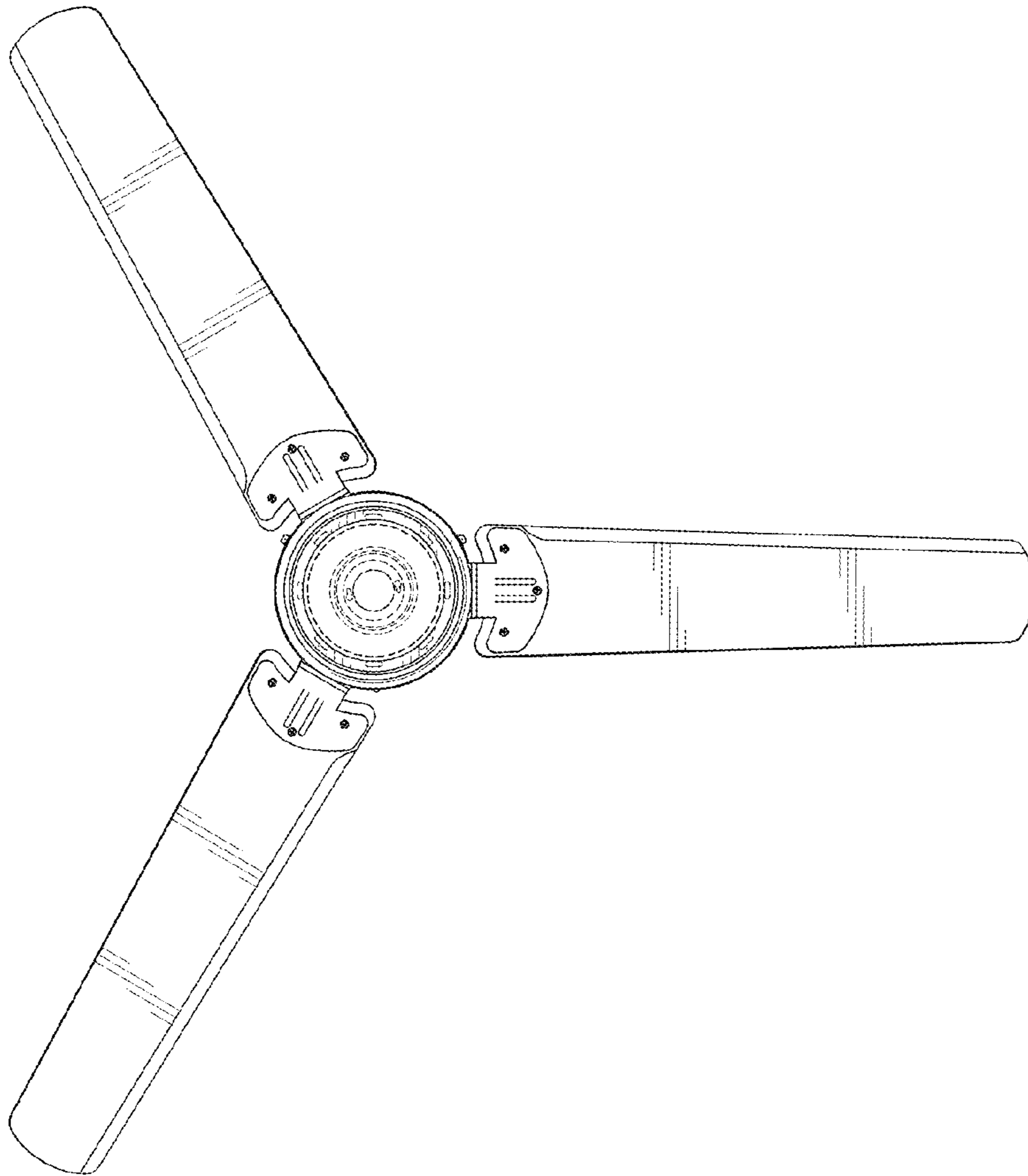


FIG. 6

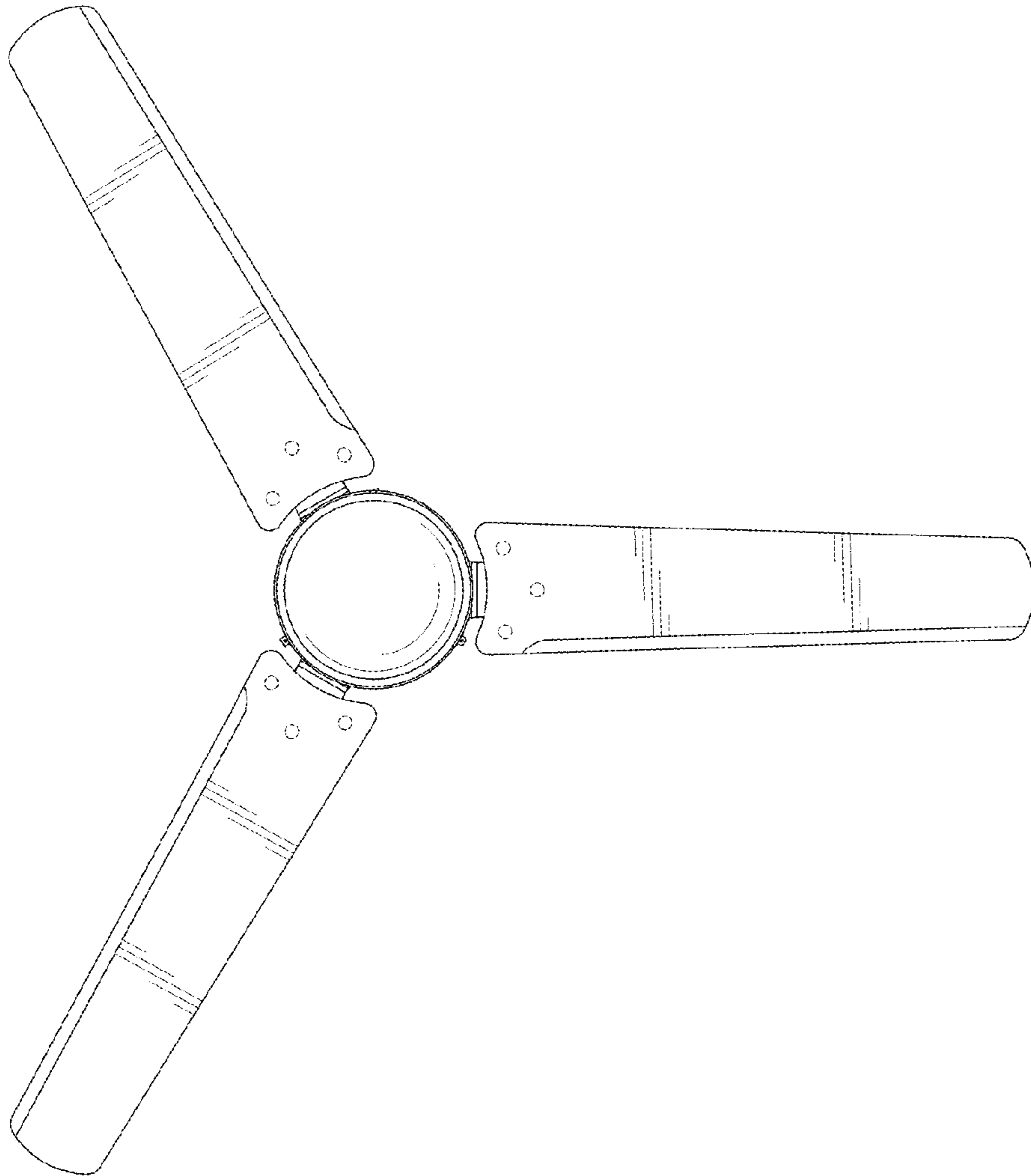


FIG. 7