



US00D707333S

(12) **United States Design Patent**  
**Flowers et al.**

(10) **Patent No.:** **US D707,333 S**  
(45) **Date of Patent:** **\*\* Jun. 17, 2014**

(54) **HANDLE**

(71) Applicant: **Grohe AG**, Hemer (DE)  
(72) Inventors: **Paul Flowers**, Duesseldorf (DE);  
**Antoine Besseyre Des Horts**,  
Duesseldorf (DE)

(73) Assignee: **Grohe AG**, Hemer (DE)

(\*\*) Term: **14 Years**

(21) Appl. No.: **29/432,875**

(22) Filed: **Sep. 21, 2012**

(30) **Foreign Application Priority Data**

Mar. 22, 2012 (EM) ..... 002013425-0012

(51) **LOC (10) Cl.** ..... **23-01**

(52) **U.S. Cl.**  
USPC ..... **D23/252**

(58) **Field of Classification Search**  
USPC ..... D23/238-243, 250, 252; 4/675-678;  
138/801

See application file for complete search history.

(56) **References Cited**

U.S. PATENT DOCUMENTS

D522,624 S \* 6/2006 Koury et al. .... D23/252  
D563,525 S \* 3/2008 Zhu ..... D23/242

\* cited by examiner

*Primary Examiner* — Robert Delehanty

(74) *Attorney, Agent, or Firm* — Muncy, Geissler, Olds &  
Lowe, P.C.

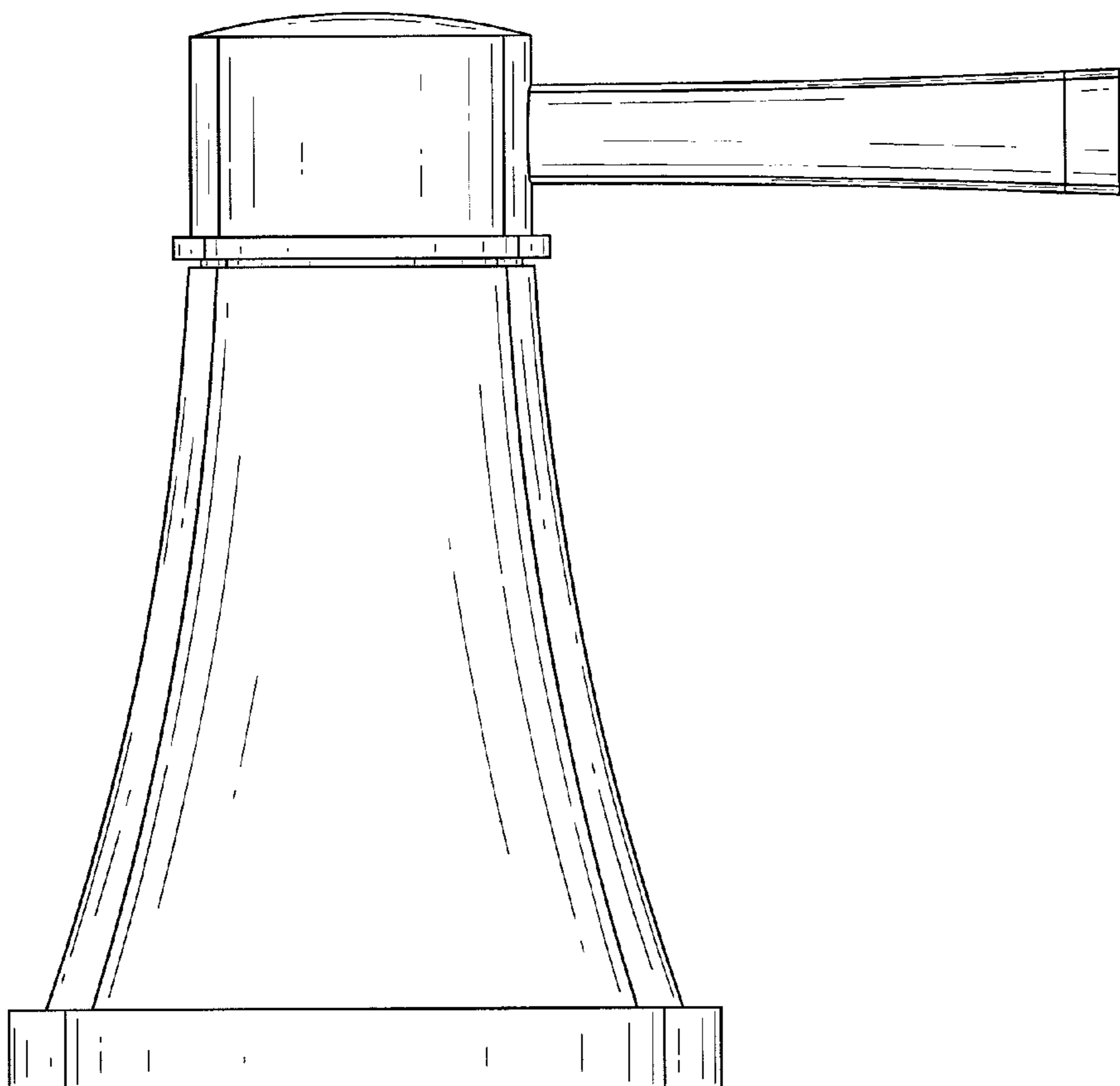
(57) **CLAIM**

The ornamental design for a handle, as shown and described.

**DESCRIPTION**

FIG. 1 is a left side elevational view of a handle according to a first embodiment of the present invention; FIG. 2 is a right side elevational view of the handle of FIG. 1; FIG. 3 is a front elevational view of the handle of FIG. 1; FIG. 4 is a rear elevational view of the handle of FIG. 1; FIG. 5 is a top plan view of the handle of FIG. 1; FIG. 6 is a bottom plan view of the handle of FIG. 1; and, FIG. 7 is a perspective view of the handle of FIG. 1. The dashed lines illustrate environment that does not form a part of the present invention, and no claim is made to the material illustrated with dashed lines.

**1 Claim, 7 Drawing Sheets**



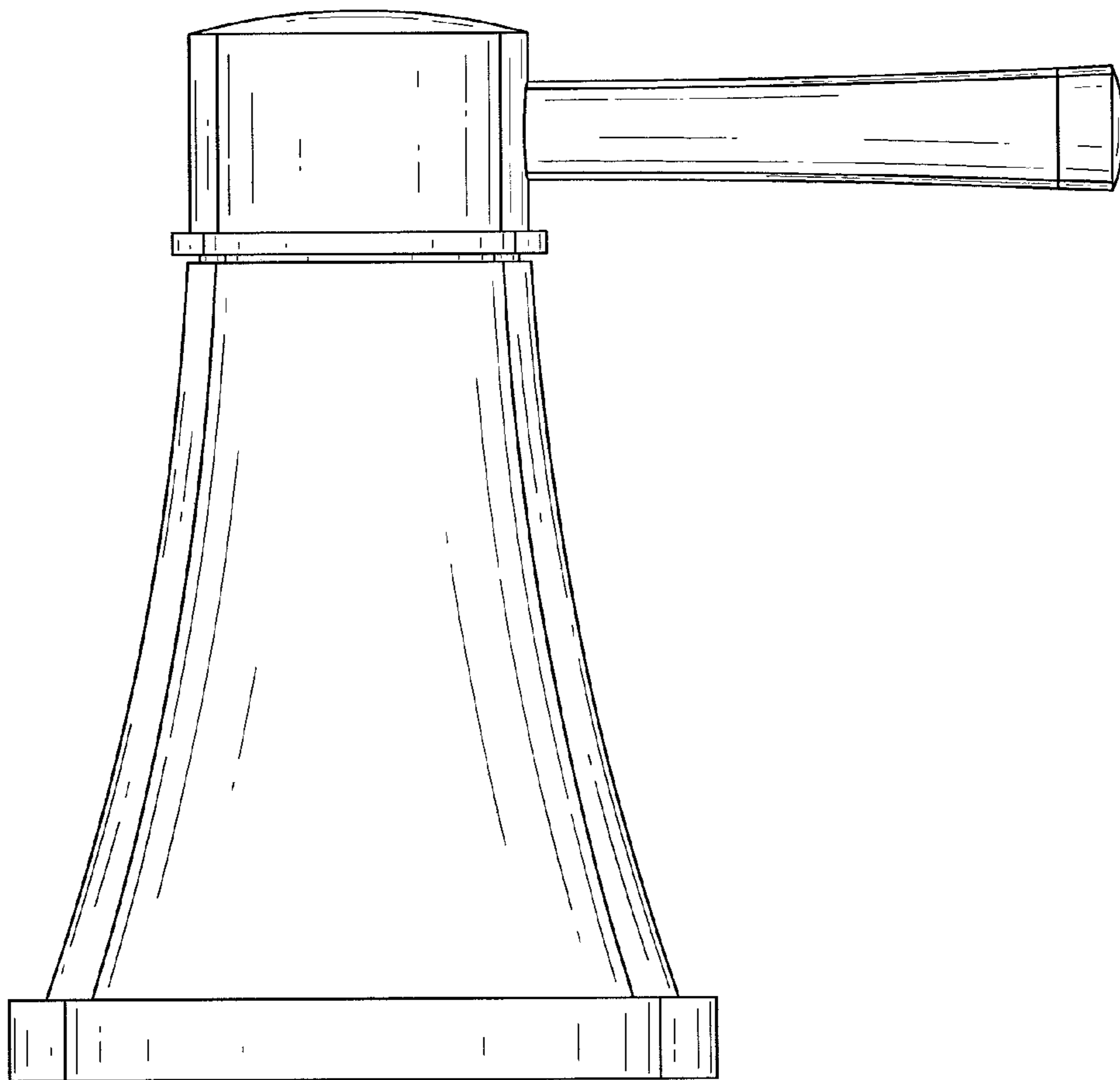


FIG.1

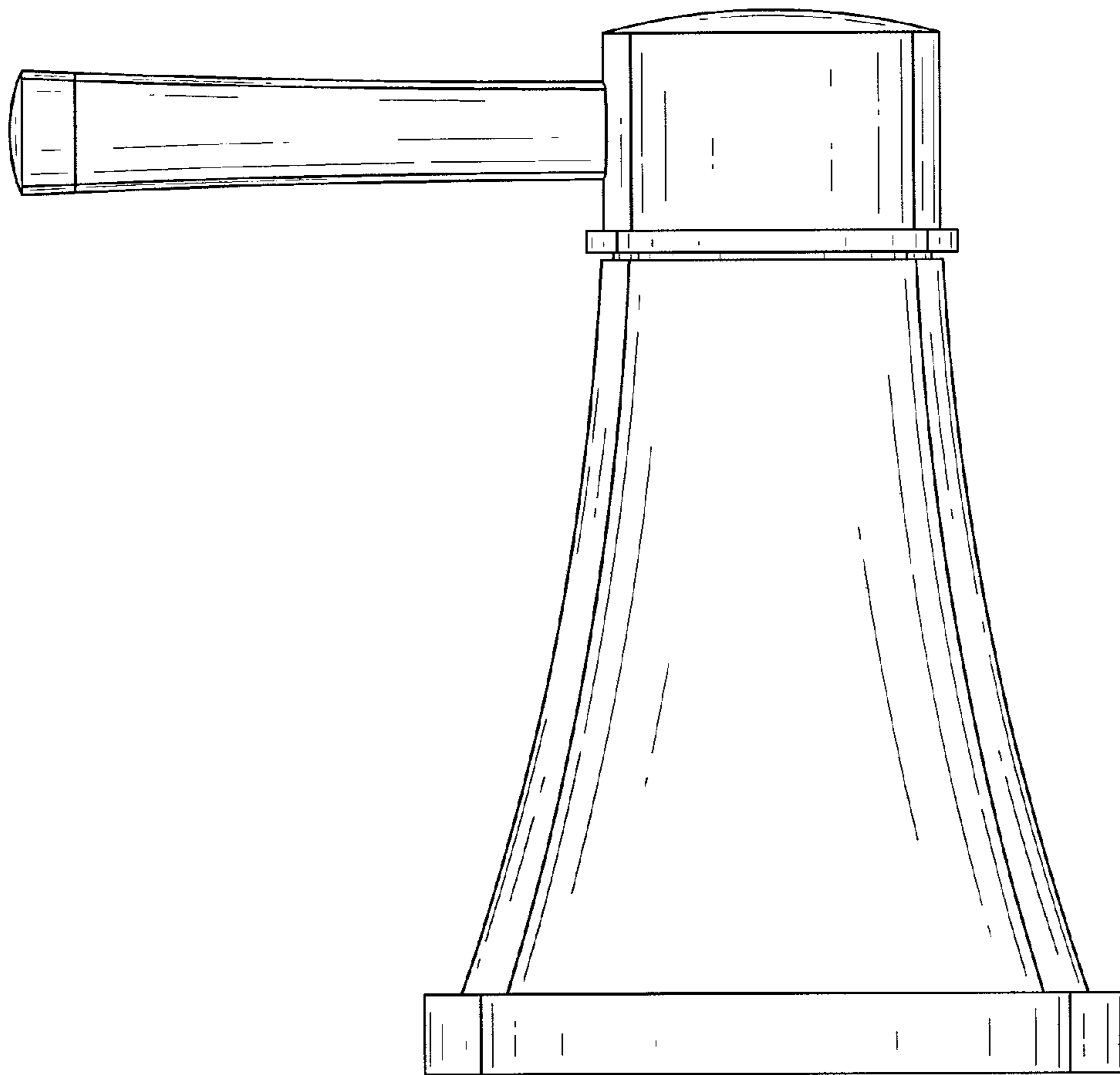


FIG.2

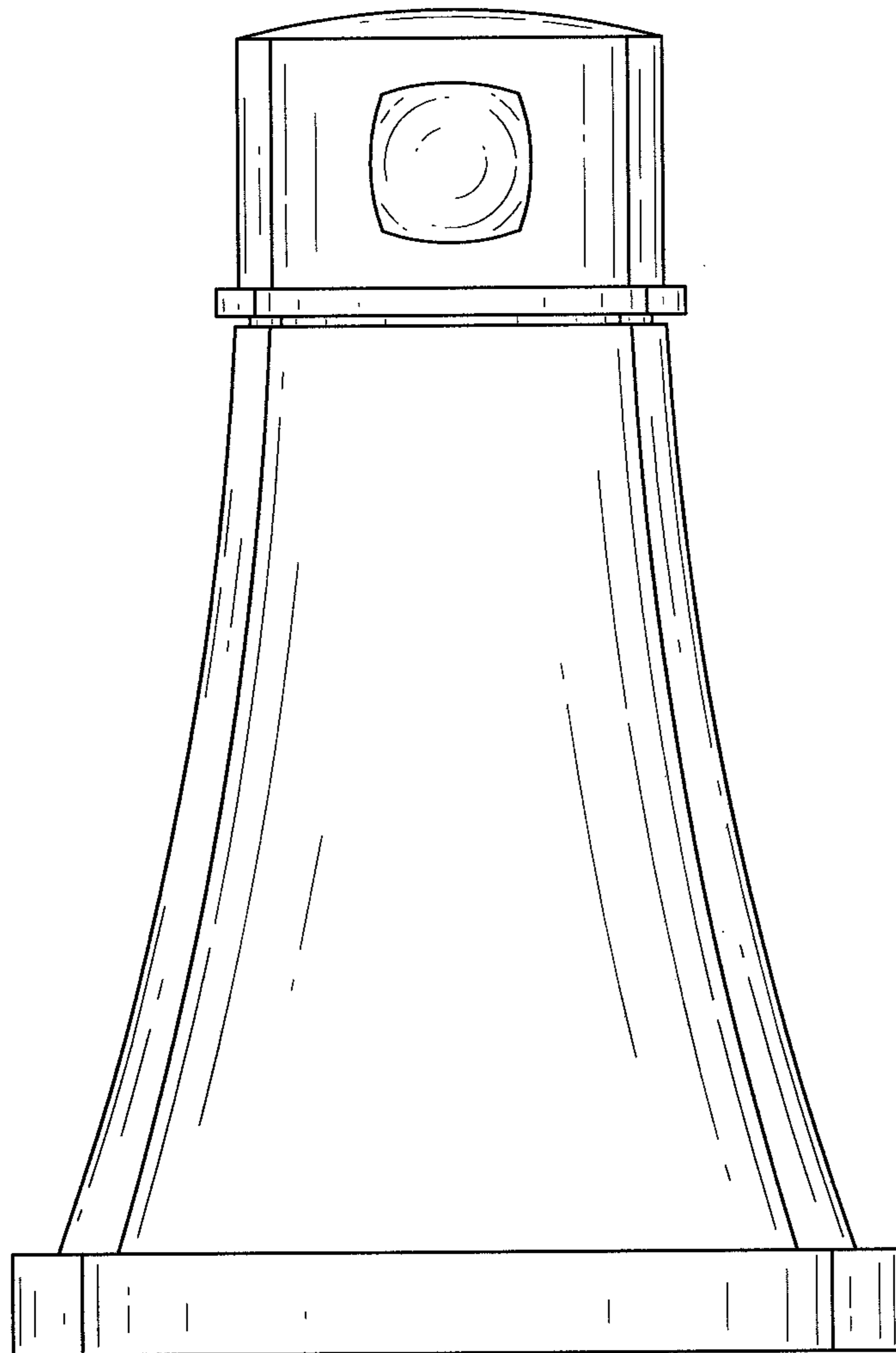


FIG.3

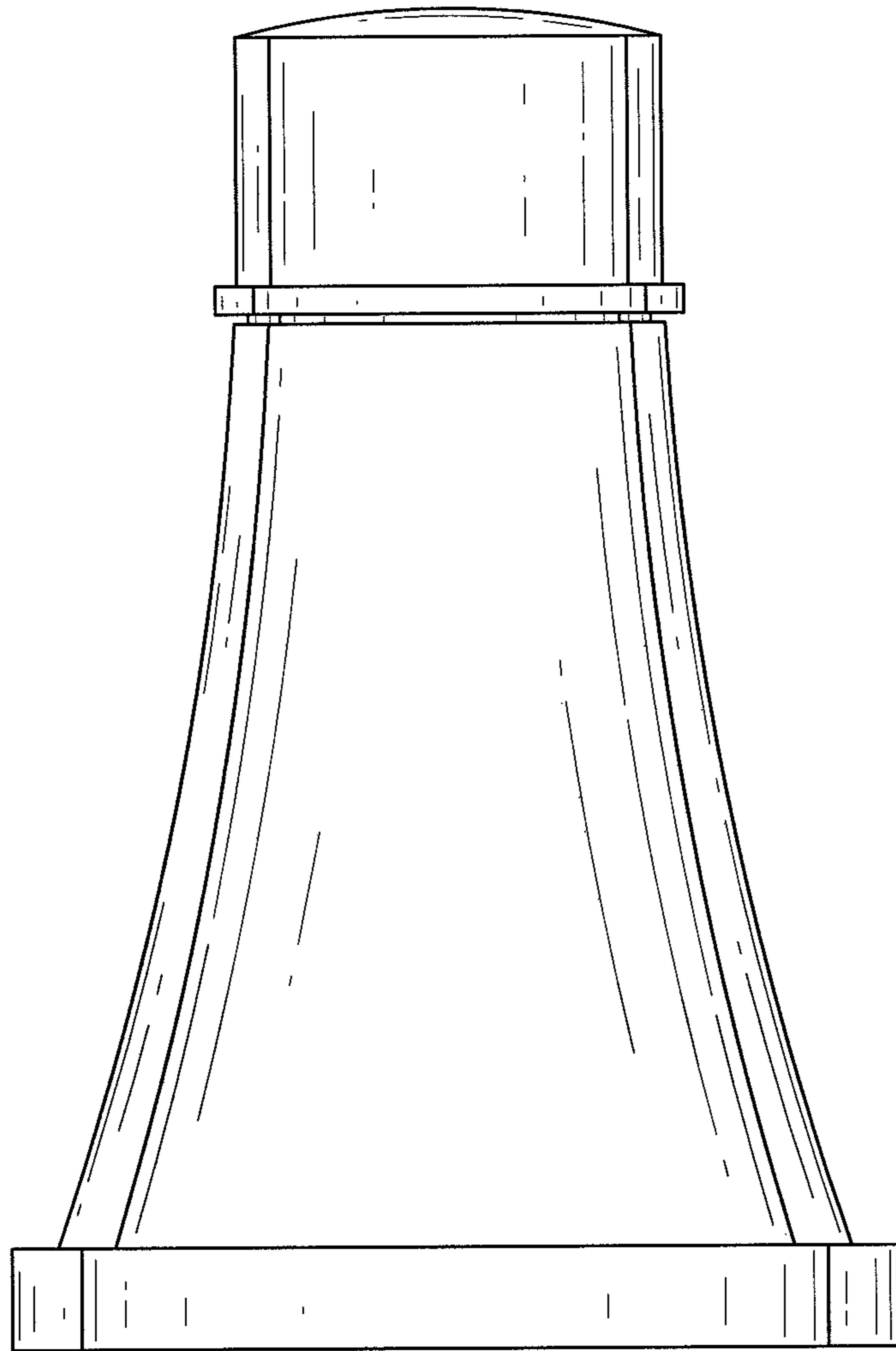


FIG.4

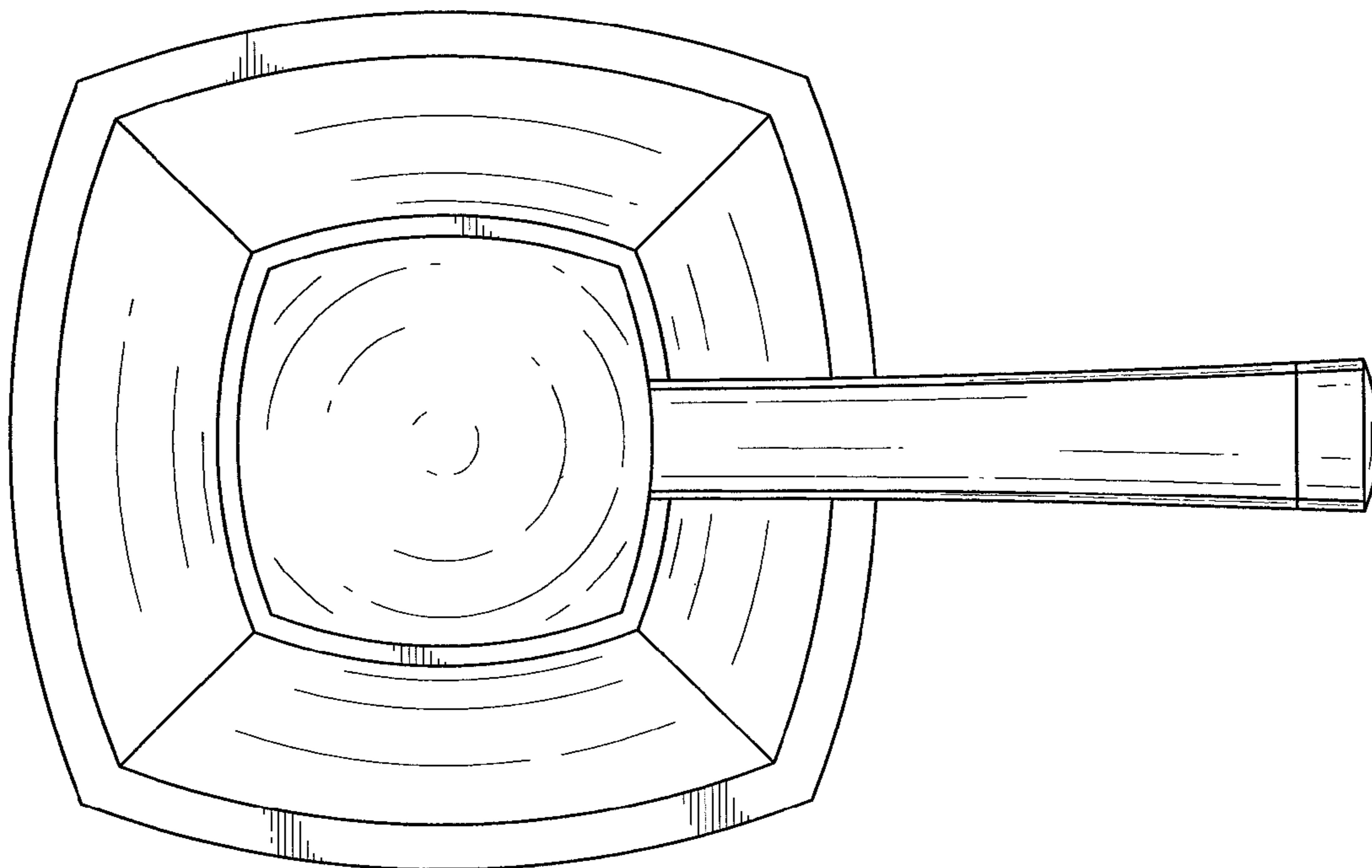


FIG.5

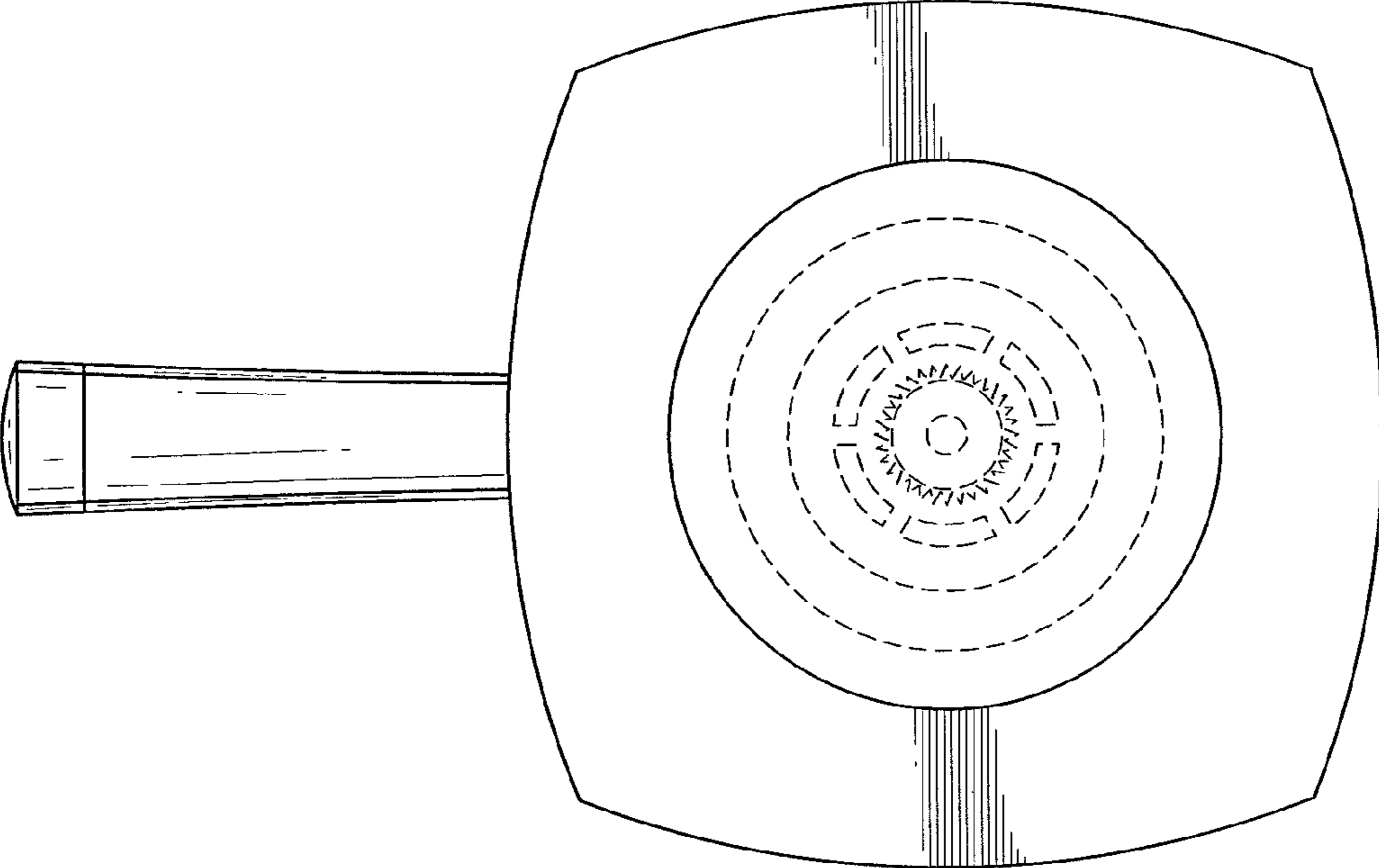


FIG.6

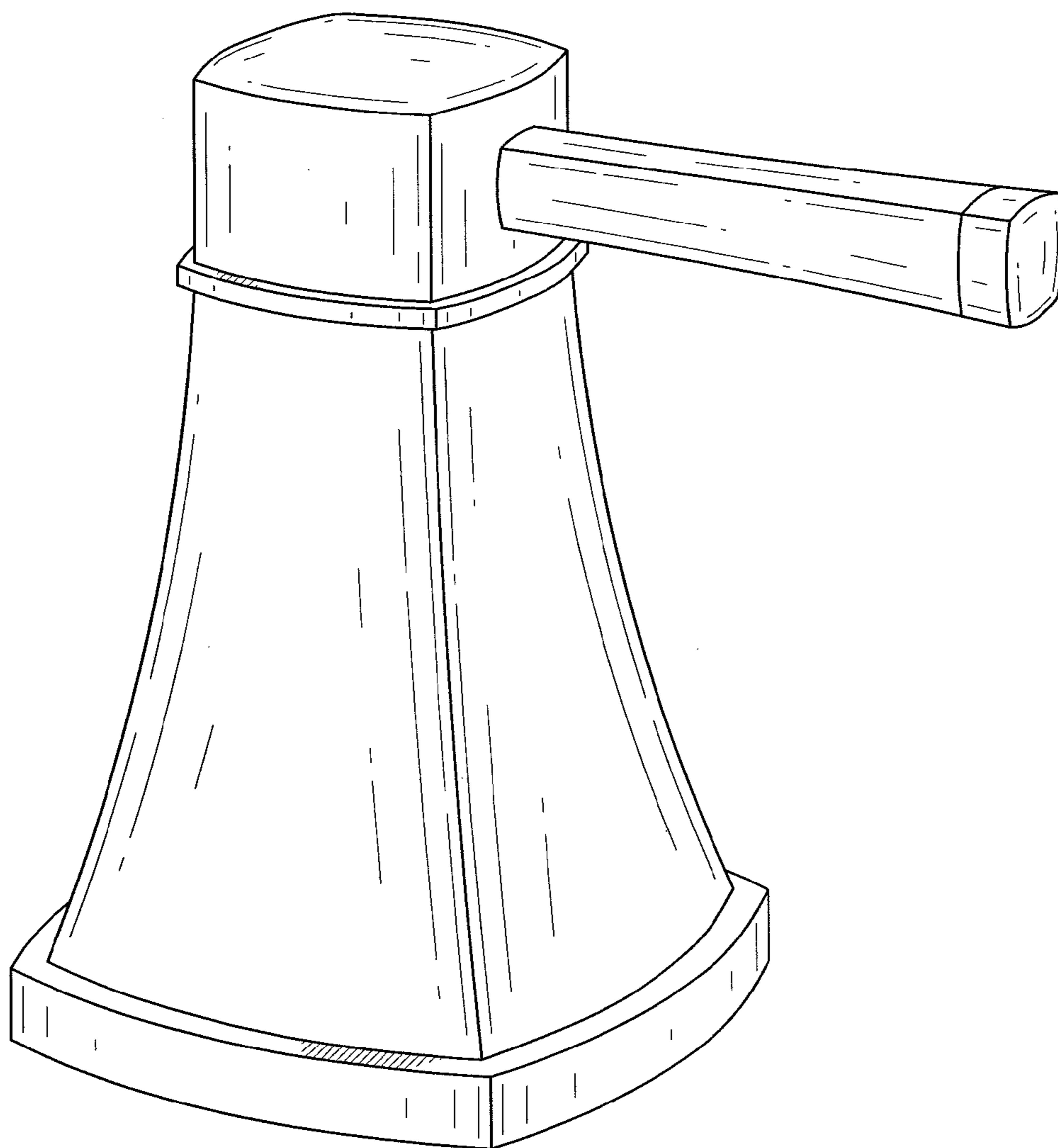


FIG. 7