



US00D707331S

(12) **United States Design Patent**
Schoenherr et al.

(10) **Patent No.:** **US D707,331 S**
(45) **Date of Patent:** **** Jun. 17, 2014**

(54) **HANDSHOWER**

(71) Applicant: **Hansgrohe SE**, Schiltach (DE)

(72) Inventors: **Tom Schoenherr**, Stuttgart (DE);
Matthias Oesterle, Winterbach (DE)

(73) Assignee: **Hansgrohe SE**, Schiltach (DE)

(**) Term: **14 Years**

(21) Appl. No.: **29/462,450**

(22) Filed: **Aug. 5, 2013**

(30) **Foreign Application Priority Data**

Feb. 7, 2013 (EM) 001360143-0009

(51) **LOC (10) Cl.** **23-01**

(52) **U.S. Cl.**
USPC **D23/223**

(58) **Field of Classification Search**
USPC D23/213, 229, 230, 223, 226; 239/282,
239/283, 548, 462; 4/615
See application file for complete search history.

(56) **References Cited**

U.S. PATENT DOCUMENTS

D511,809 S	11/2005	Haug et al.	
D590,917 S	4/2009	Schoenherr et al.	
D610,229 S *	2/2010	Wu et al.	D23/223
D610,651 S *	2/2010	Wu et al.	D23/223
D655,385 S *	3/2012	Schoenherr et al.	D23/223
D655,387 S *	3/2012	Schoenherr et al.	D23/223
D655,390 S *	3/2012	Schoenherr et al.	D23/223
D659,794 S *	5/2012	Flowers et al.	D23/223

D659,795 S *	5/2012	Flowers et al.	D23/223
D660,402 S *	5/2012	Flowers et al.	D23/223
D688,775 S *	8/2013	Bossini et al.	D23/223
D694,361 S *	11/2013	Schoenherr et al.	D23/223

OTHER PUBLICATIONS

Brochure—Hanshun, 4 pgs., Kaiping Xianglin Sanitary Ware Industrial Co., Ltd., No. F3-I Neihuan Road, No. 3 Industrial Park, Shuikou Town, Kaiping City, GD, China (at least as early as May 26, 2010).
Brochure—Hanshun iX, 8 pgs., Kaiping Hanshun Sanitary Ware Industrial Co., Ltd., No. F3-I Neihuan Road, No. 3 Industrial Park, Shuikou Town, Kaiping City, GD, China (at least as early as Apr. 24, 2012).

* cited by examiner

Primary Examiner — Robin V Webster

(74) *Attorney, Agent, or Firm* — Lora J. Graentzdoerffer

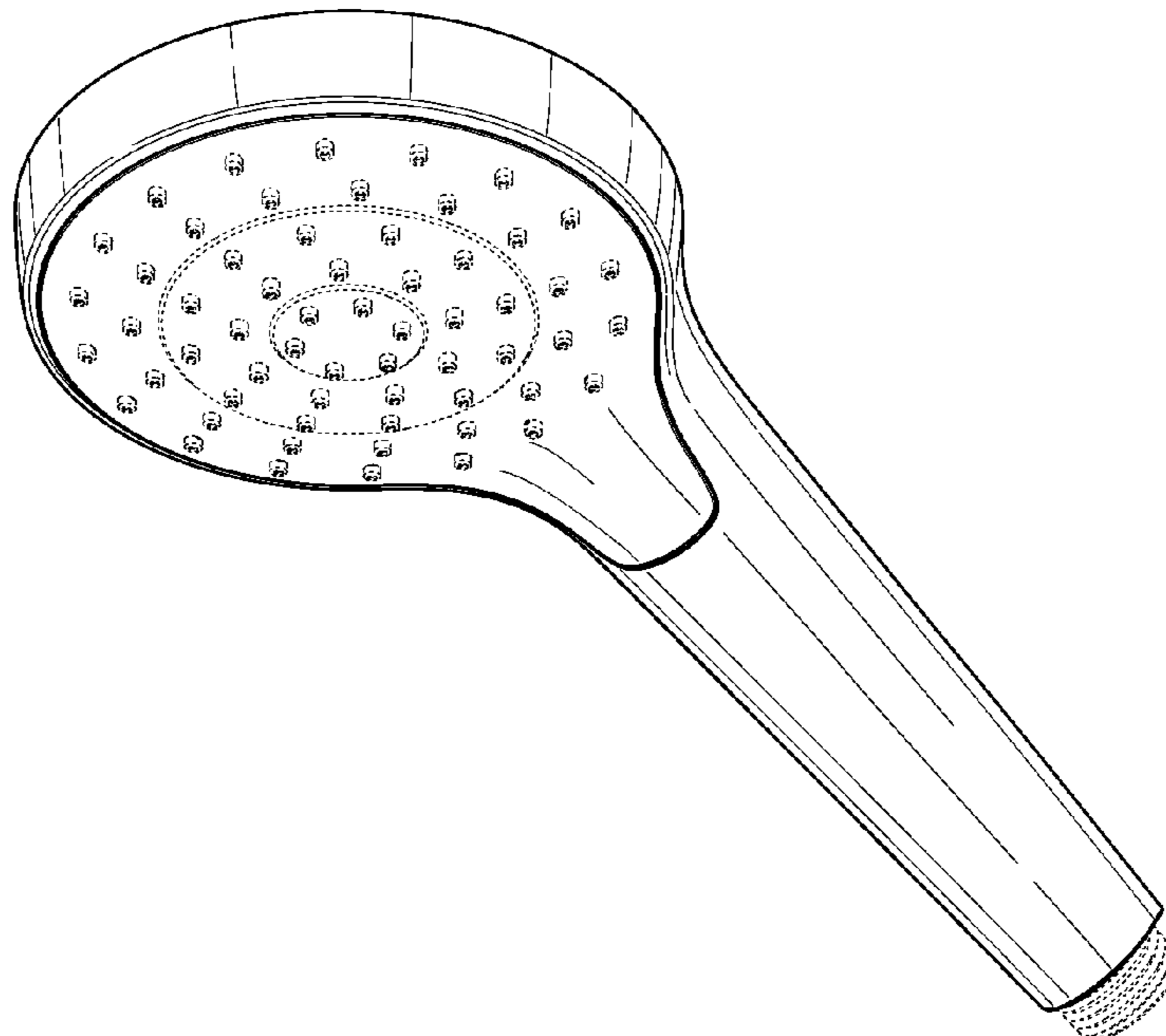
(57) **CLAIM**

The ornamental design for a handshower, as shown and described.

DESCRIPTION

FIG. 1 is a perspective view of a handshower showing our design;
FIG. 2 is a front elevational view thereof;
FIG. 3 is a rear elevational view thereof;
FIG. 4 is a left side elevational view thereof;
FIG. 5 is a right side elevational view thereof;
FIG. 6 is a top plan view thereof; and,
FIG. 7 is a bottom plan view thereof.
The broken-line disclosure in the views represents portions of the article in which the claimed design is embodied, but which form no part of the claimed design.

1 Claim, 7 Drawing Sheets



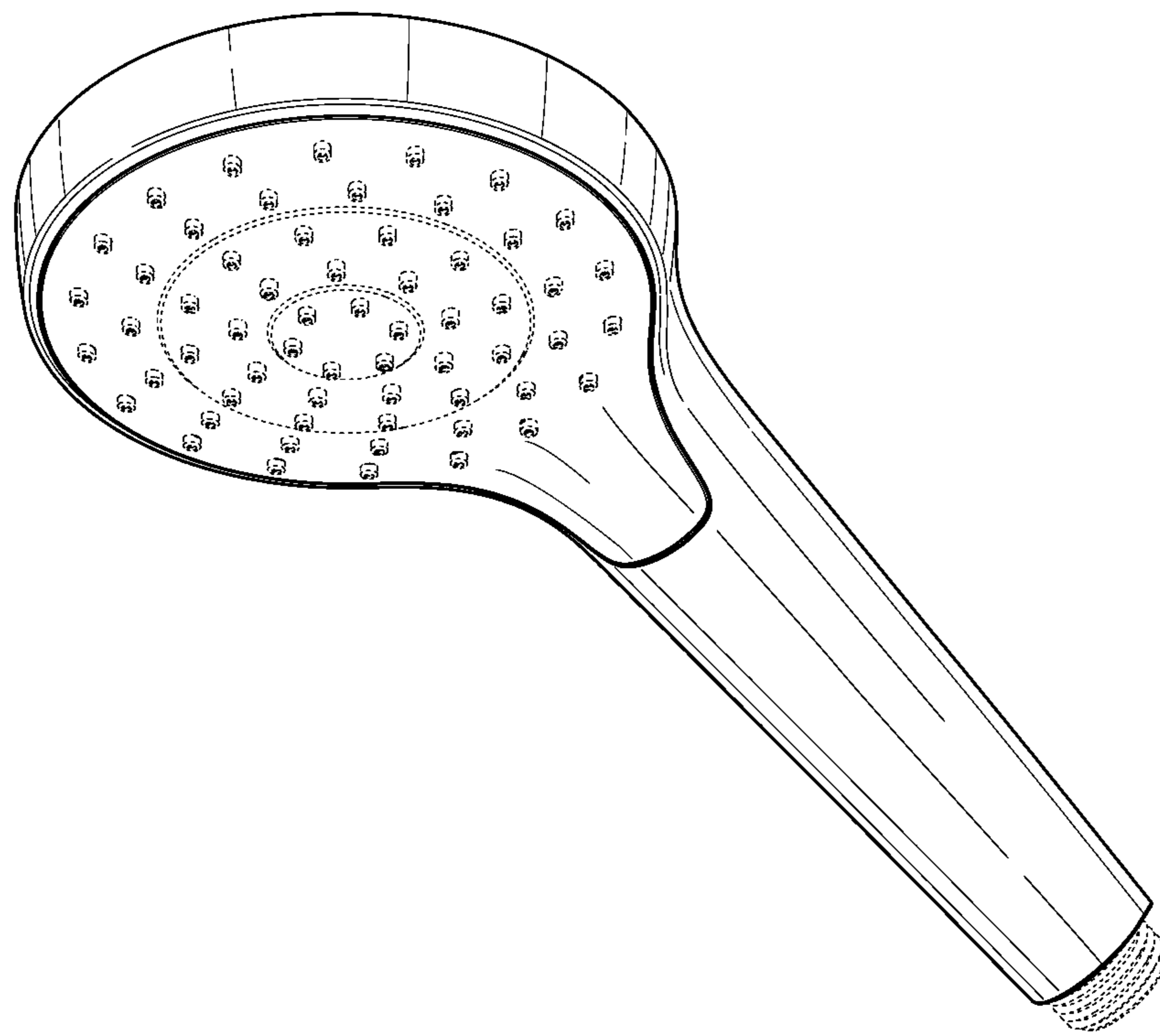


FIG. 1

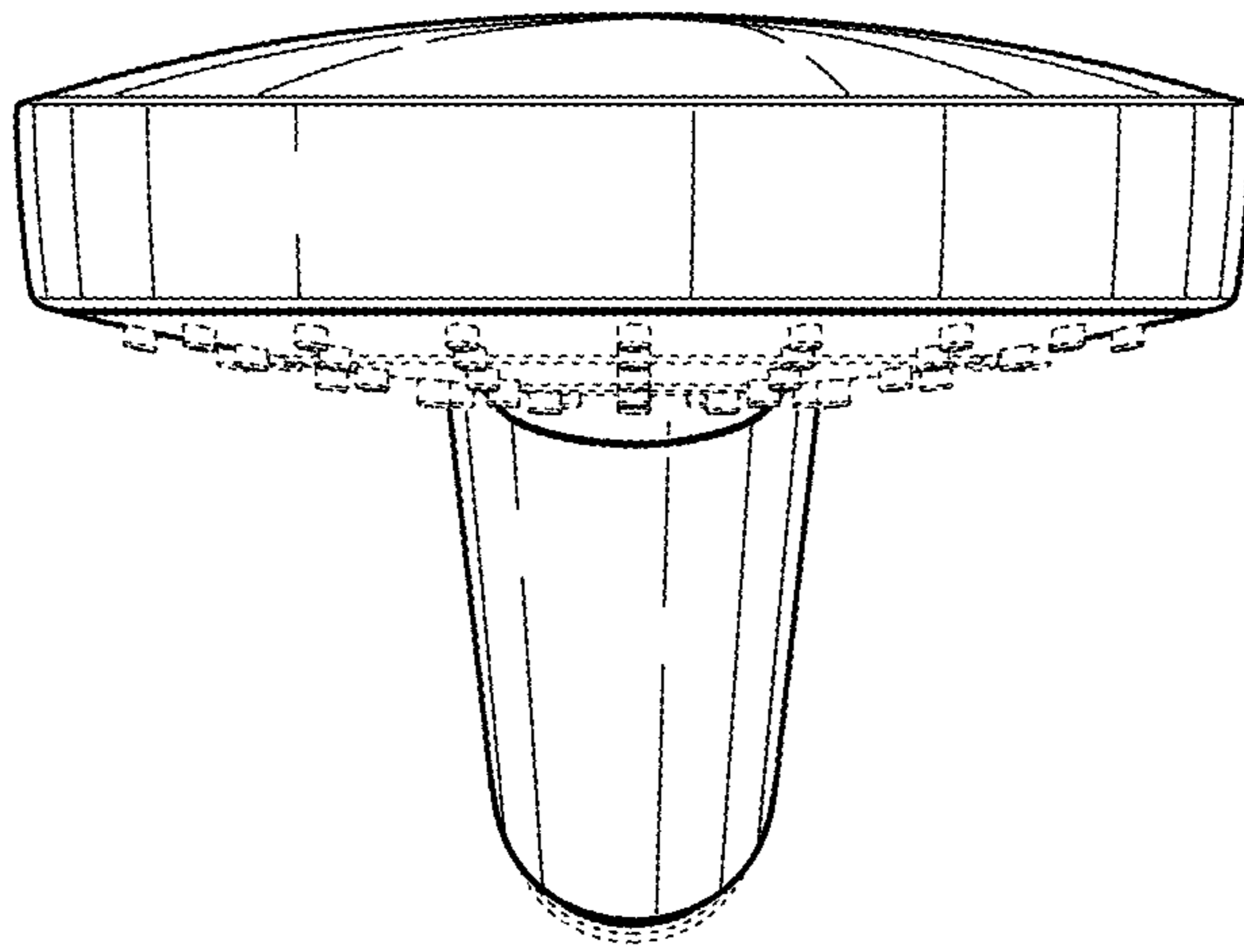


FIG. 2

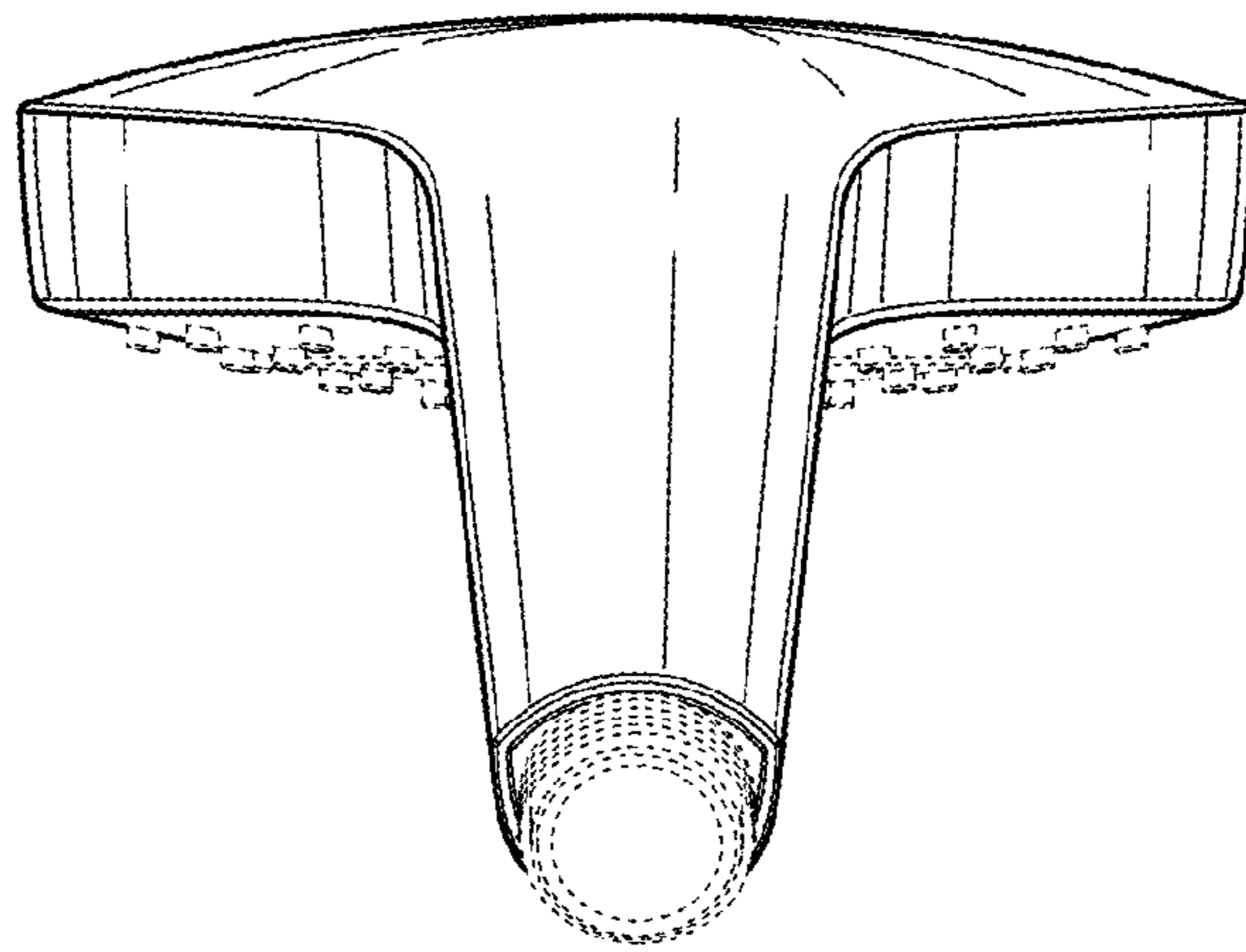


FIG. 3

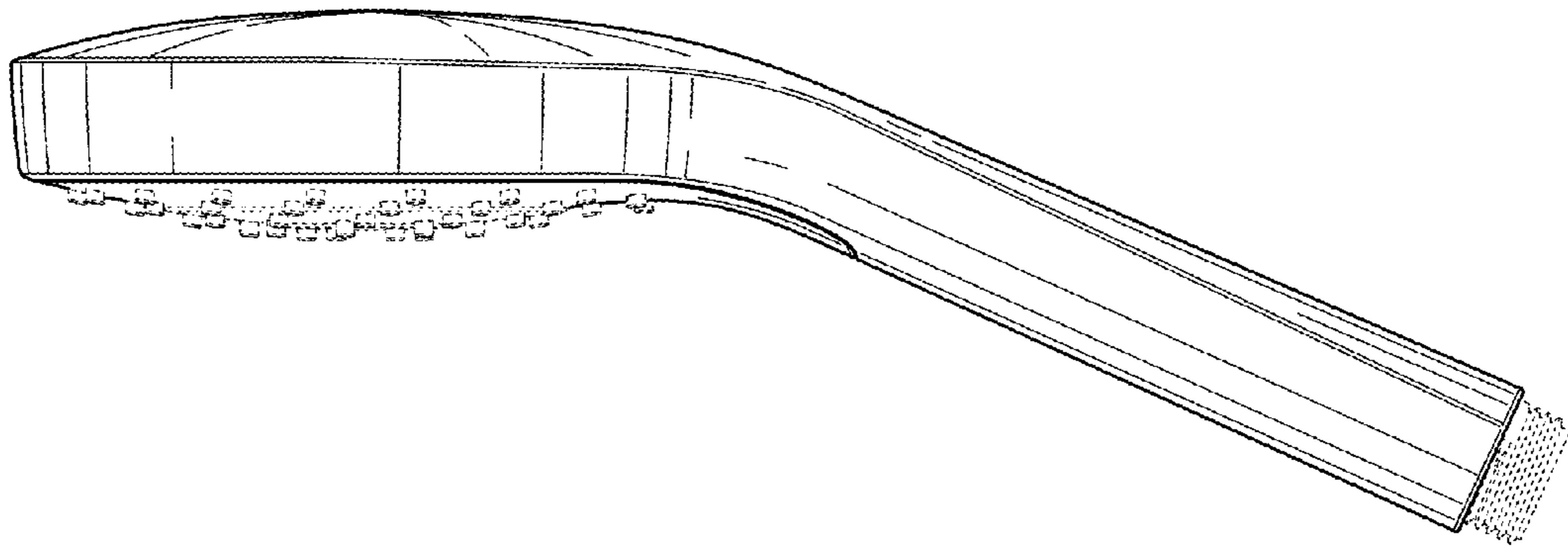


FIG. 4

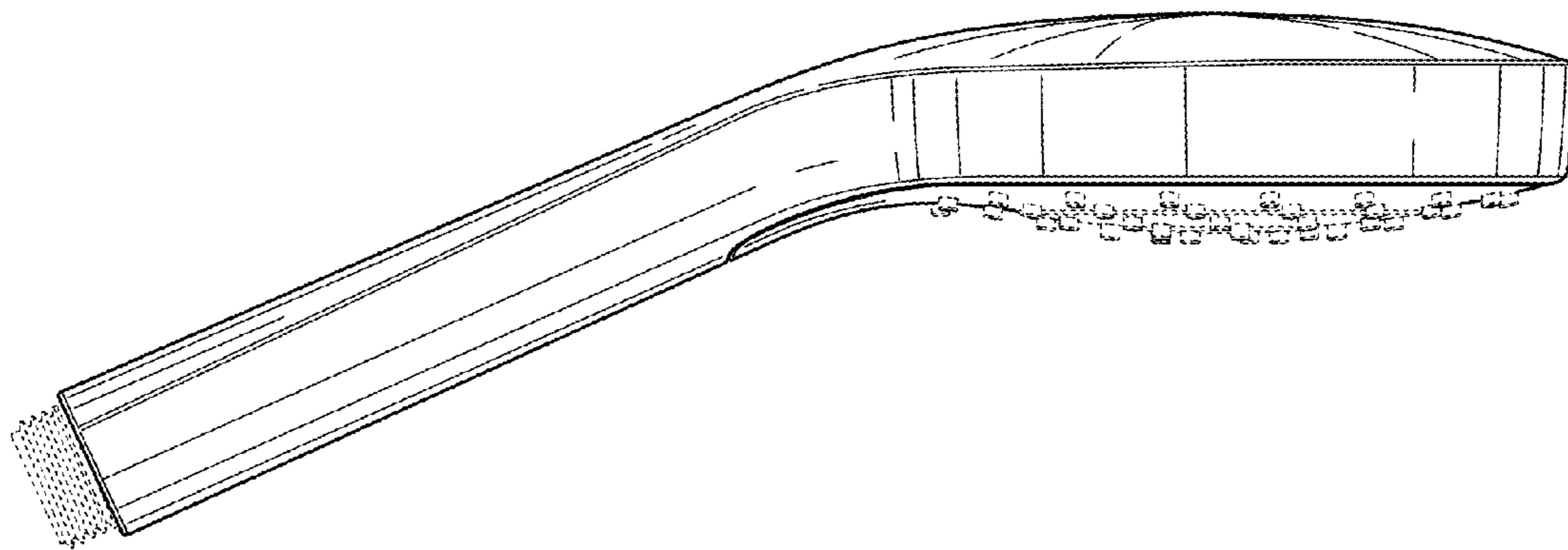


FIG. 5

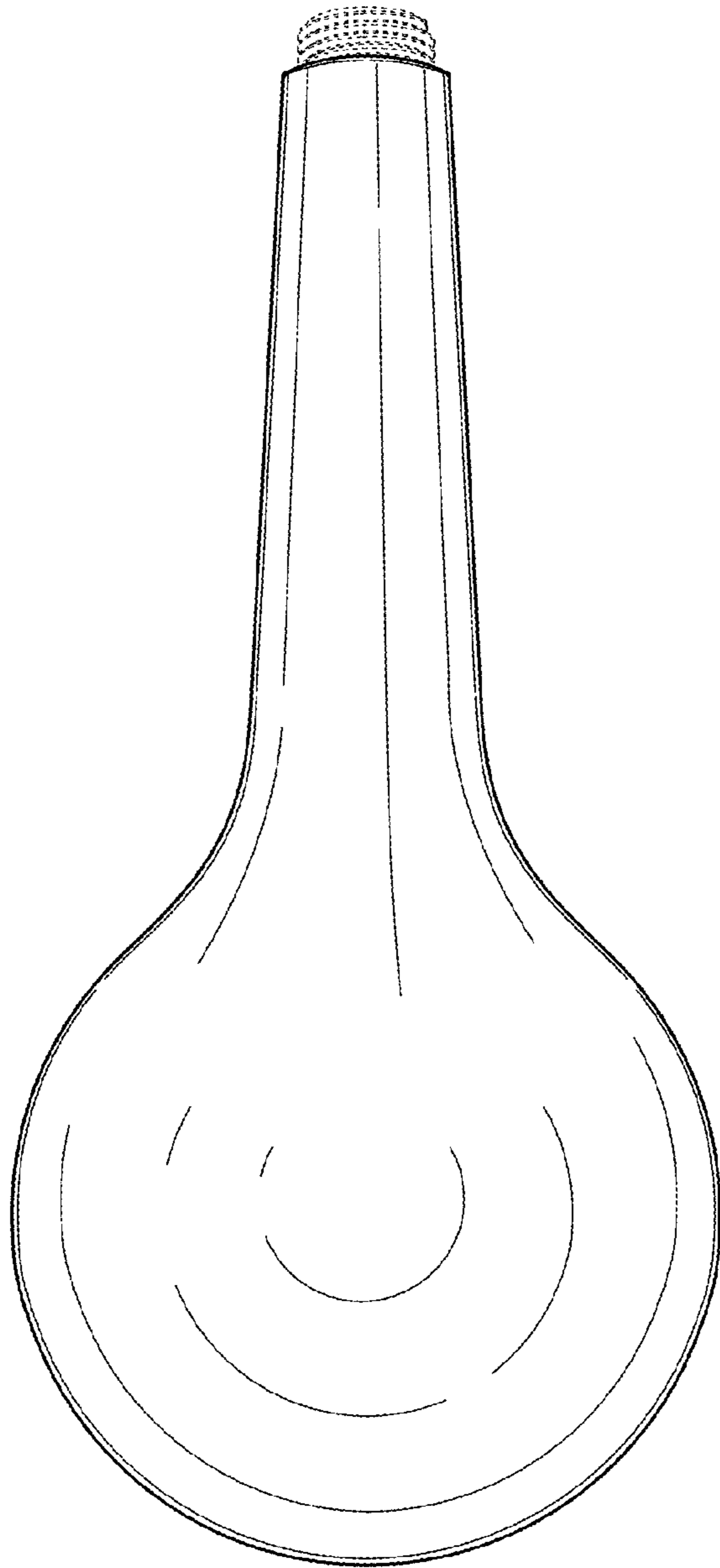


FIG. 6

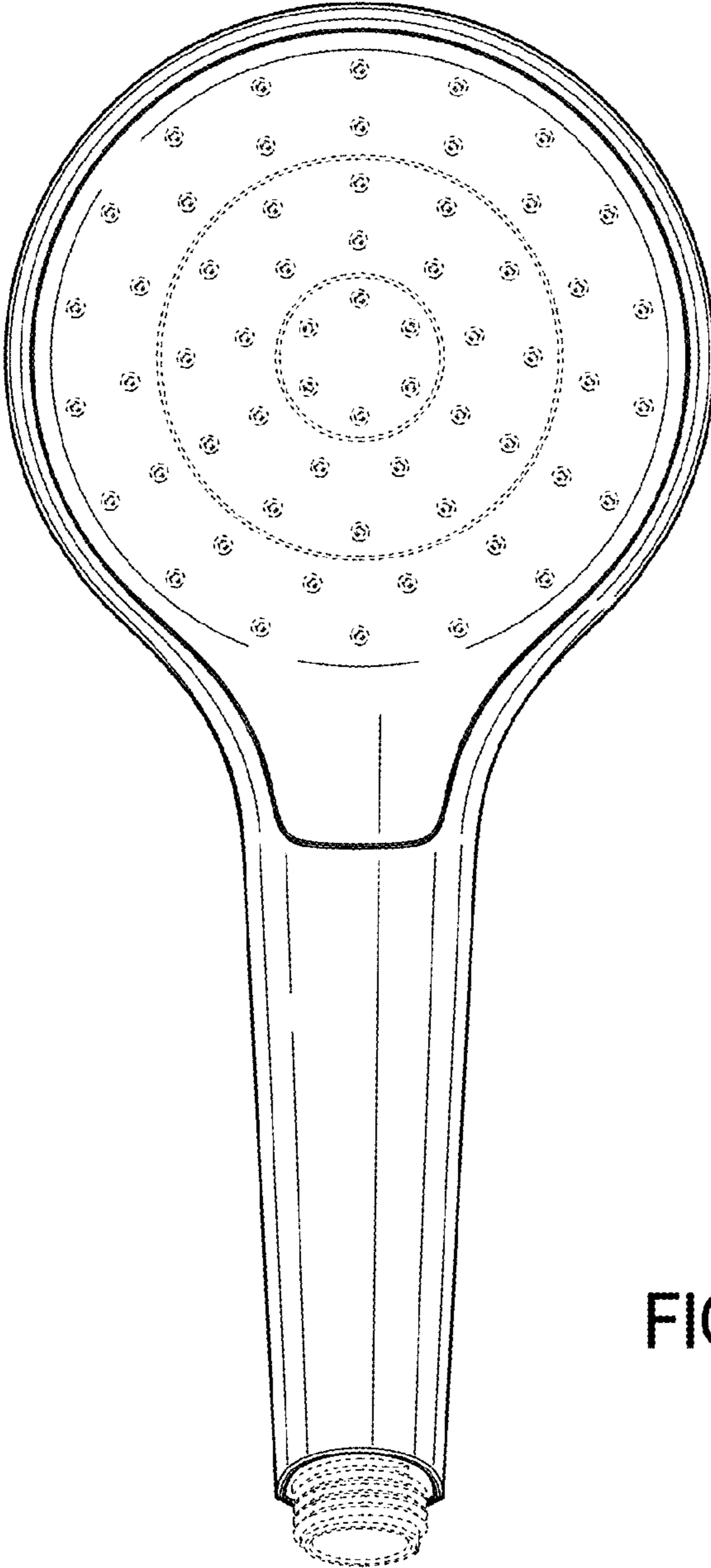


FIG. 7