



US00D707330S

(12) **United States Design Patent**
Schoenherr et al.

(10) **Patent No.:** **US D707,330 S**
(45) **Date of Patent:** **** Jun. 17, 2014**

(54) **HANSHOWER**
(71) Applicant: **Hansgrohe SE**, Schiltach (DE)
(72) Inventors: **Tom Schoenherr**, Stuttgart (DE);
Matthias Oesterle, Winterbach (DE)

D655,783 S * 3/2012 Schoenherr et al. D23/223
D669,156 S * 10/2012 Schoenherr et al. D23/223
D672,011 S * 12/2012 Andrew et al. D23/223
D681,776 S * 5/2013 Cutler et al. D23/223
D697,177 S * 1/2014 Schoenherr et al. D23/223

(73) Assignee: **Hansgrohe SE**, Schiltach (DE)
(**) Term: **14 Years**

FOREIGN PATENT DOCUMENTS

EM 000278601-0001 12/2005
EM 000278601-0002 12/2005
EM 000278601-0003 12/2005
EM 000278601-0004 12/2005

(21) Appl. No.: **29/462,449**

* cited by examiner

(22) Filed: **Aug. 5, 2013**

Primary Examiner — Robin V Webster

(30) **Foreign Application Priority Data**

(74) *Attorney, Agent, or Firm* — Lora J. Graentzdoerffer

Feb. 7, 2013 (EM) 001360143-0002

(51) **LOC (10) Cl.** **23-01**

(57) **CLAIM**

(52) **U.S. Cl.**

The ornamental design for a handshower, as shown and described.

USPC **D23/223**

(58) **Field of Classification Search**

DESCRIPTION

USPC D23/213, 229, 230, 223, 226; 239/282,
239/283, 548, 462; 4/615

See application file for complete search history.

FIG. 1 is a perspective view of a handshower showing our design;

(56) **References Cited**

FIG. 2 is a front elevational view thereof;

U.S. PATENT DOCUMENTS

D497,974 S 11/2004 Haug et al.
D511,809 S 11/2005 Haug et al.
D551,737 S 9/2007 Haug et al.
D581,484 S 11/2008 Schoenherr et al.
D590,917 S 4/2009 Schoenherr et al.
D610,229 S * 2/2010 Wu et al. D23/223
D610,651 S * 2/2010 Wu et al. D23/223
D654,983 S * 2/2012 Schoenherr et al. D23/223

FIG. 3 is a rear elevational view thereof;

FIG. 4 is a left side elevational view thereof;

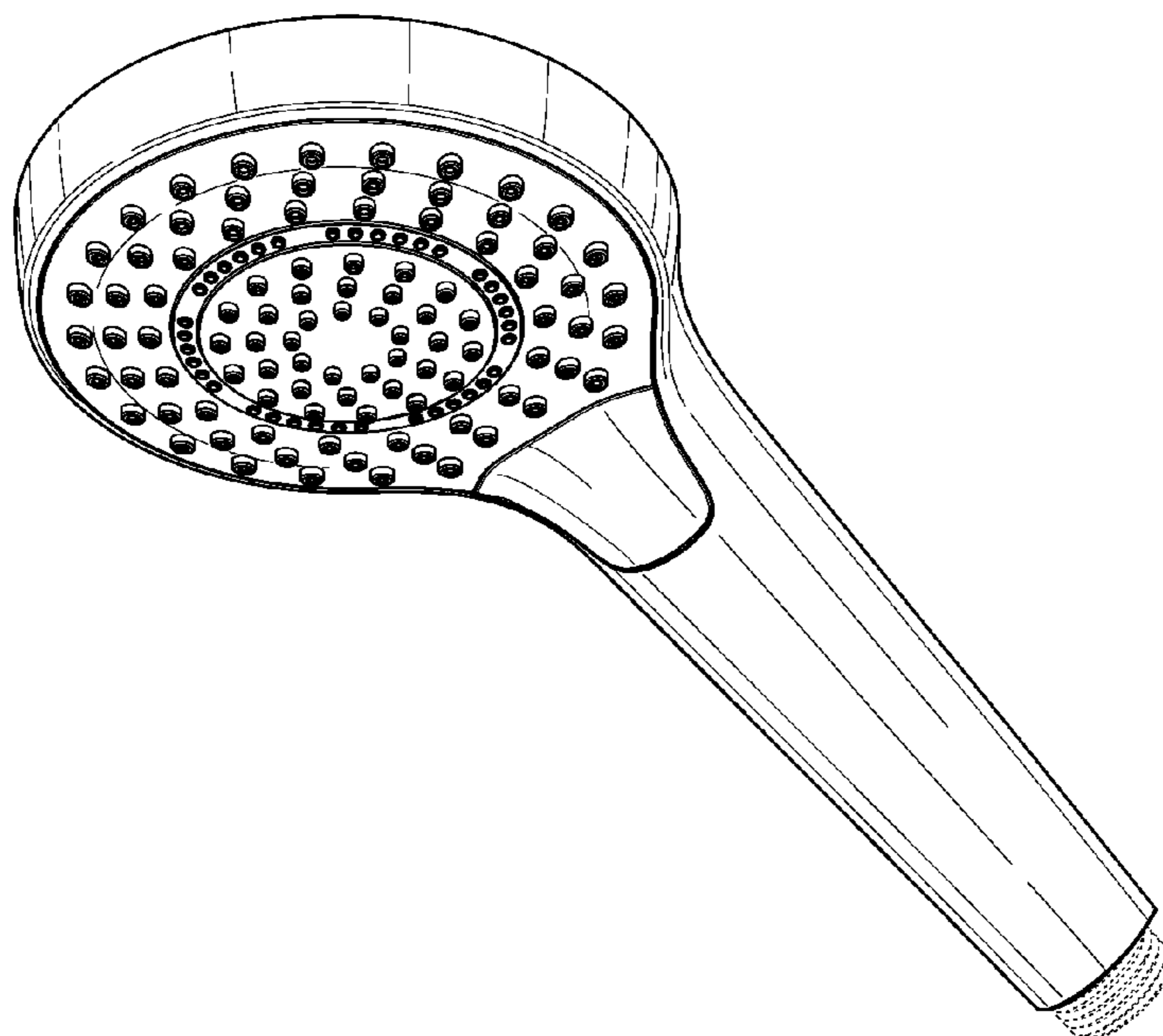
FIG. 5 is a right side elevational view thereof;

FIG. 6 is a top plan view thereof; and,

FIG. 7 is a bottom plan view thereof.

The broken-line disclosure in the views represents portions of the article in which the claimed design is embodied, but which form no part of the claimed design.

1 Claim, 7 Drawing Sheets



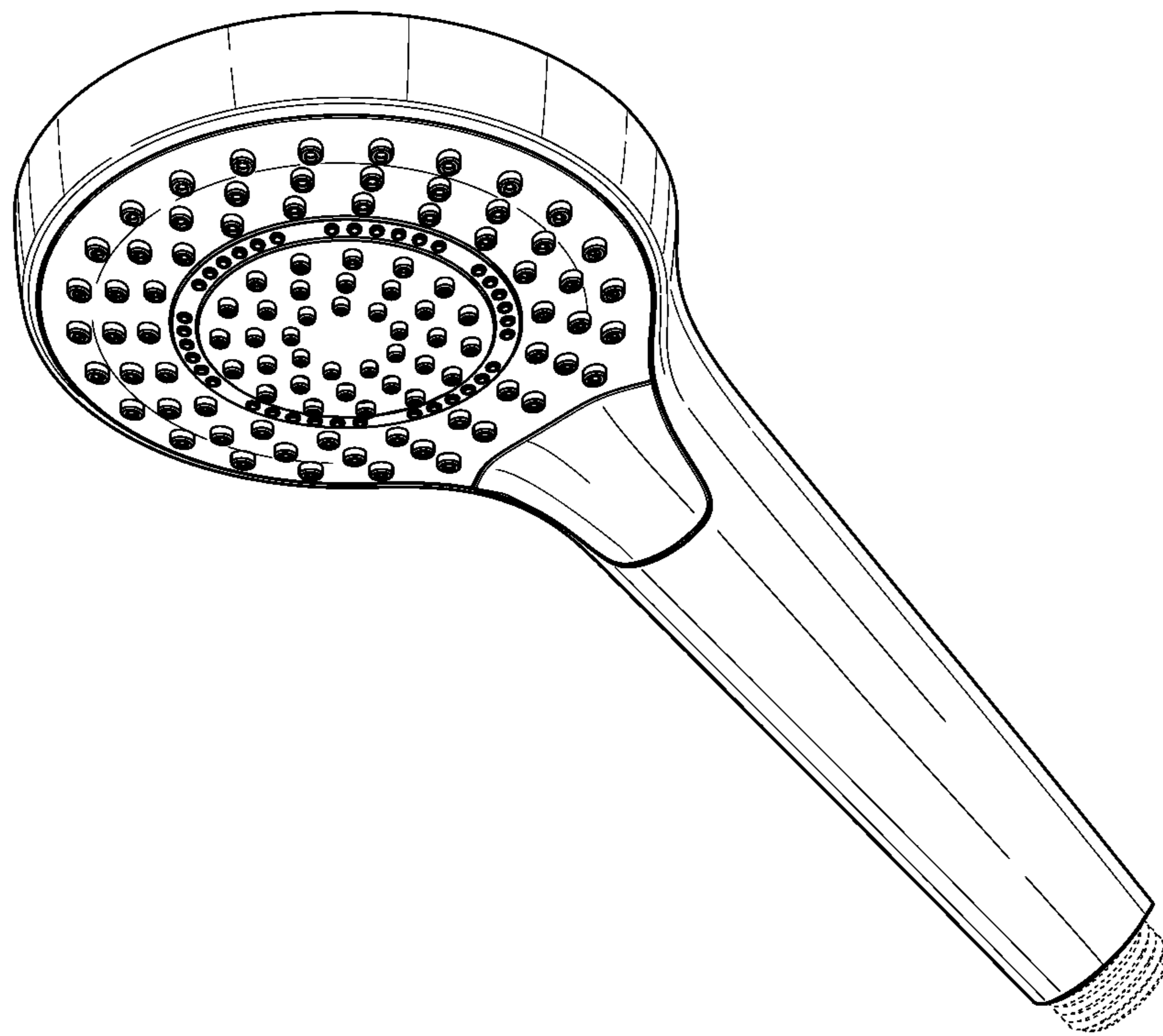


FIG. 1

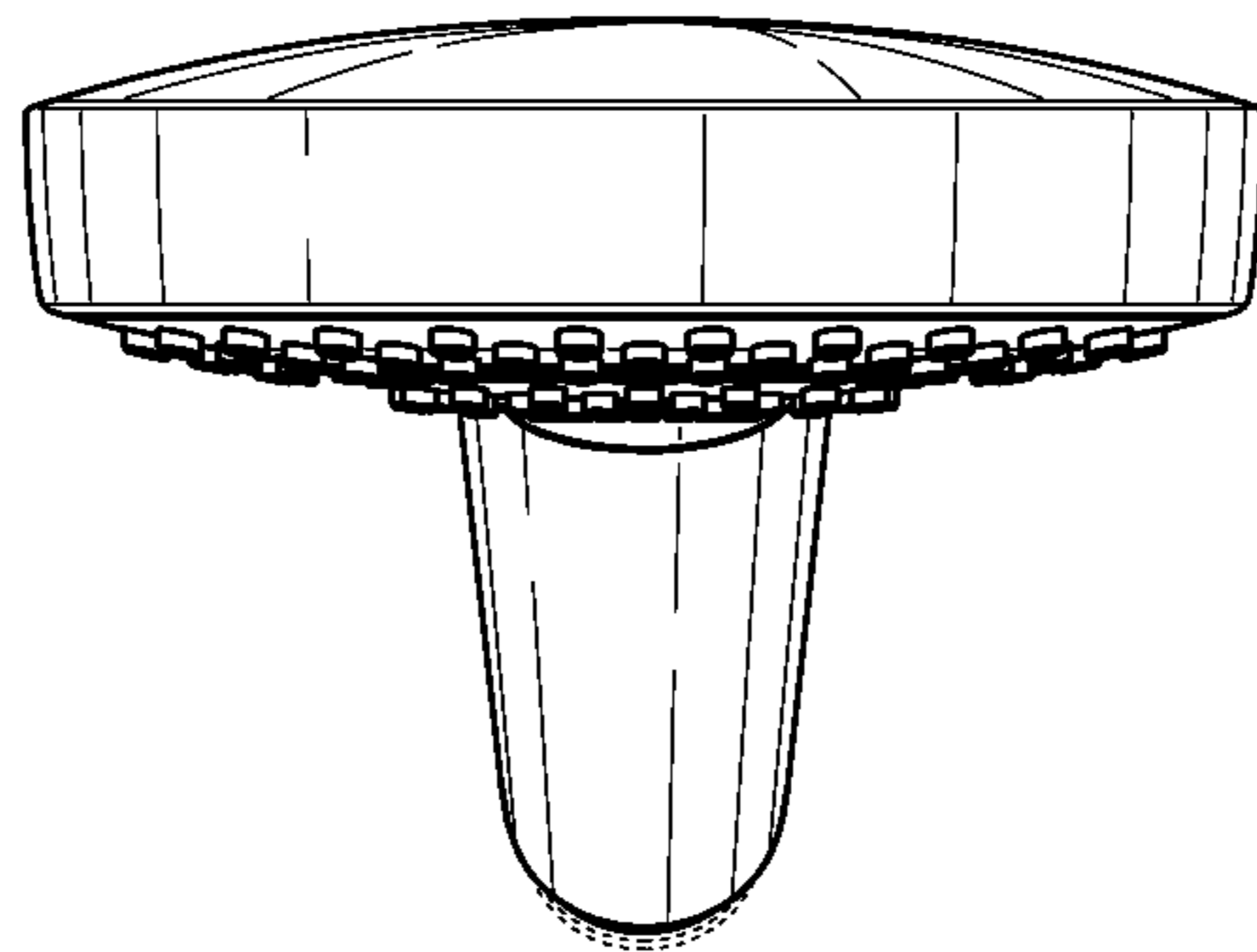


FIG. 2

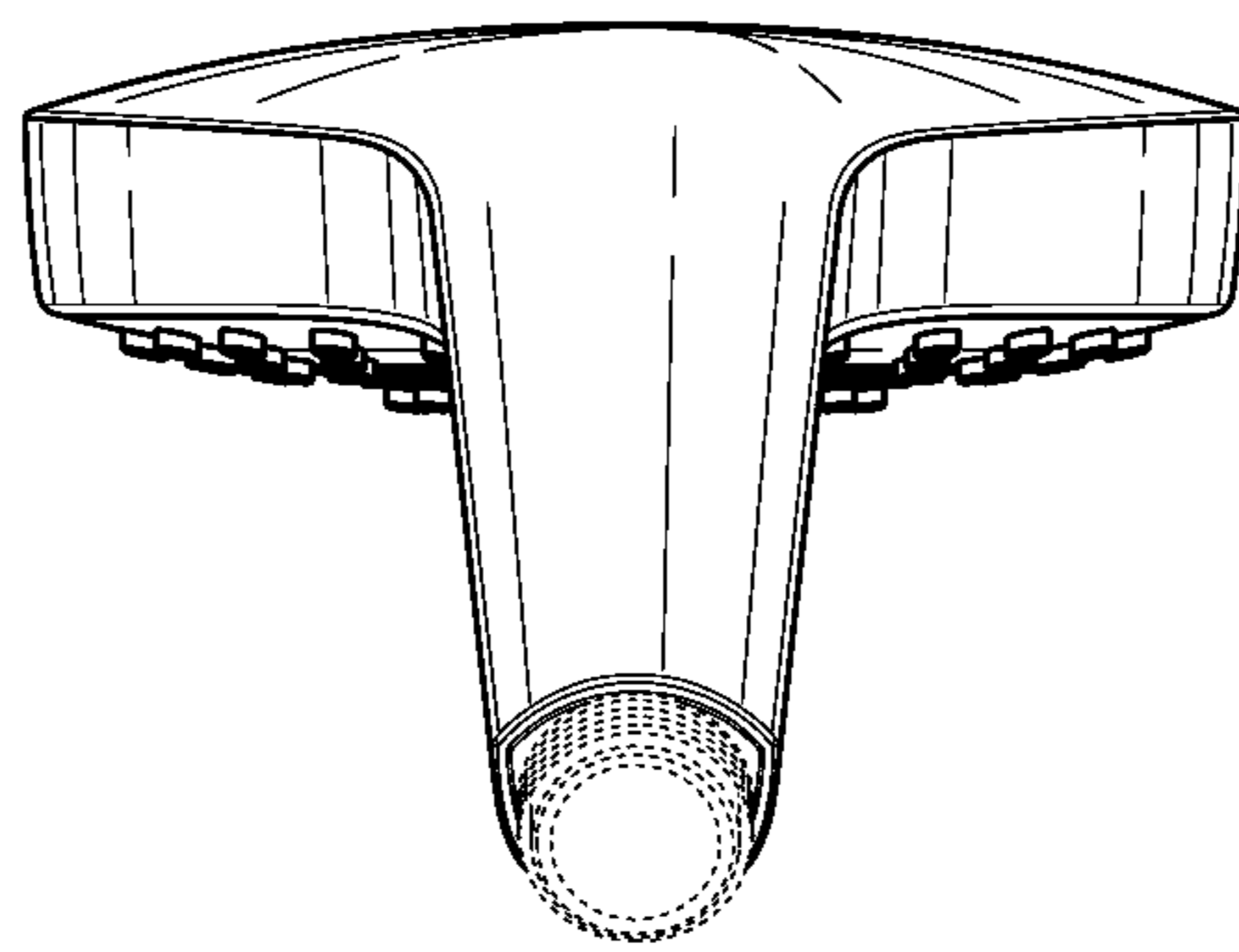


FIG. 3

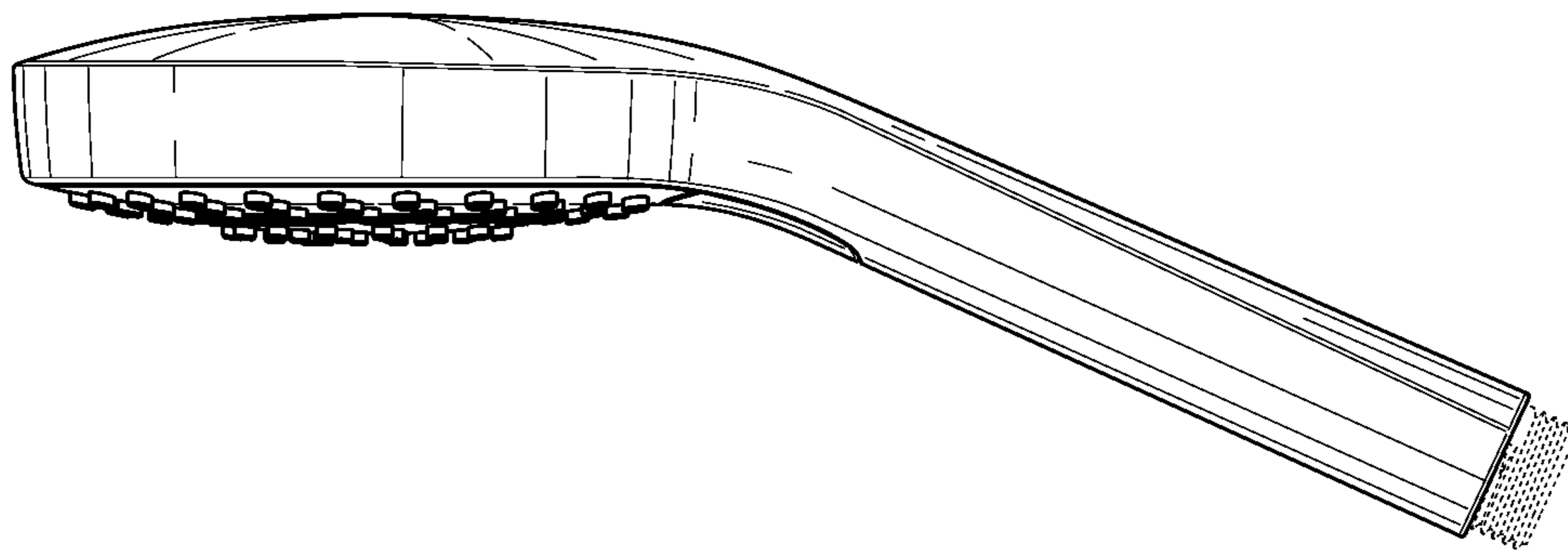


FIG. 4

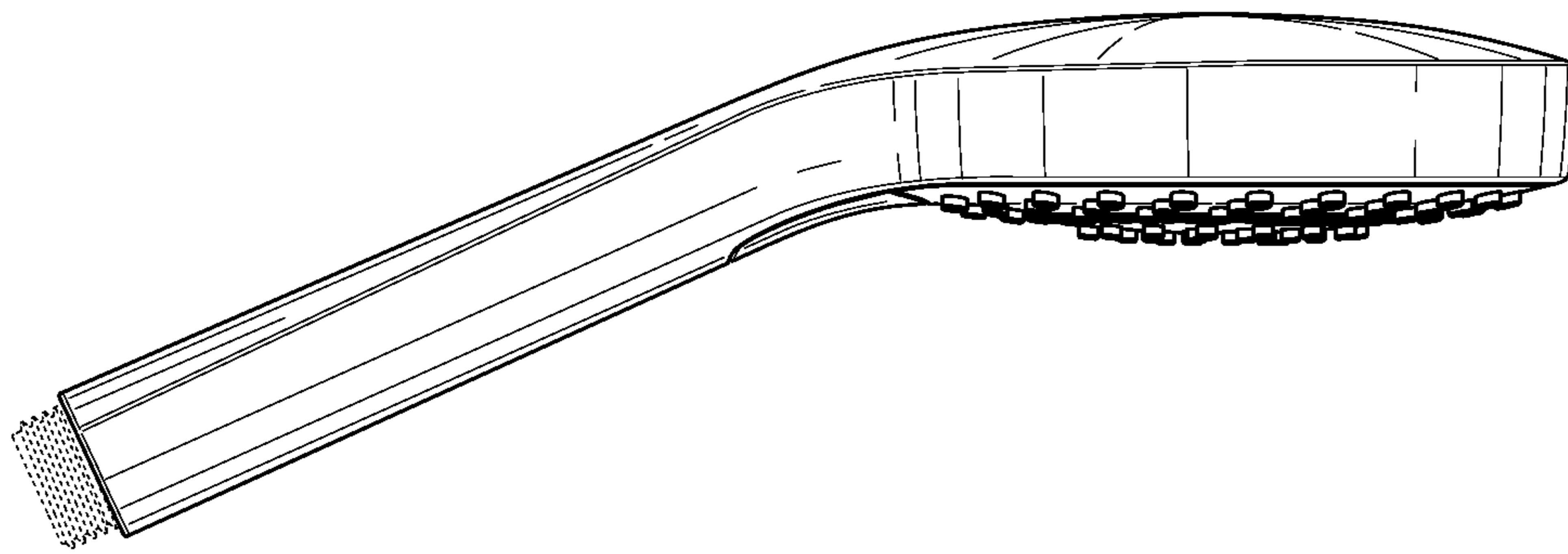


FIG. 5

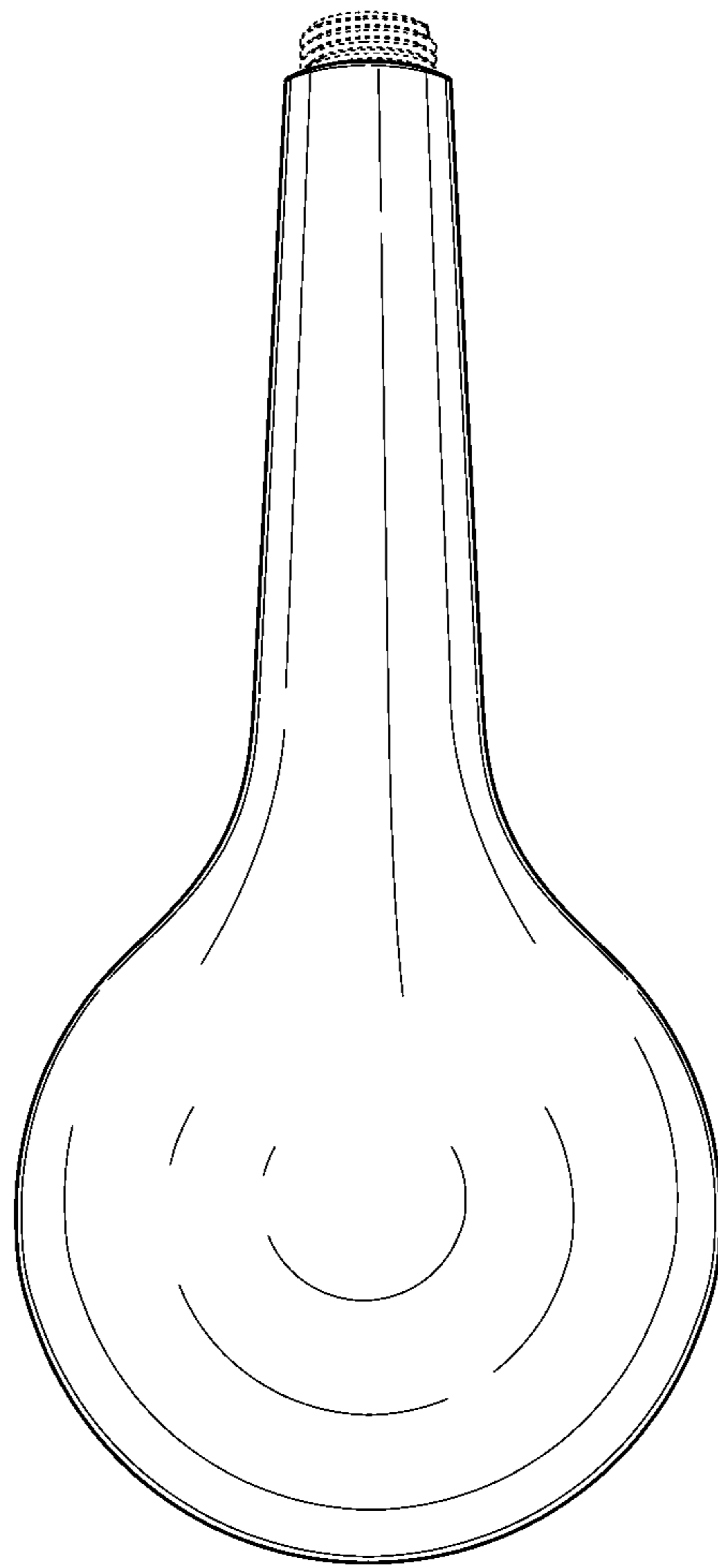


FIG. 6

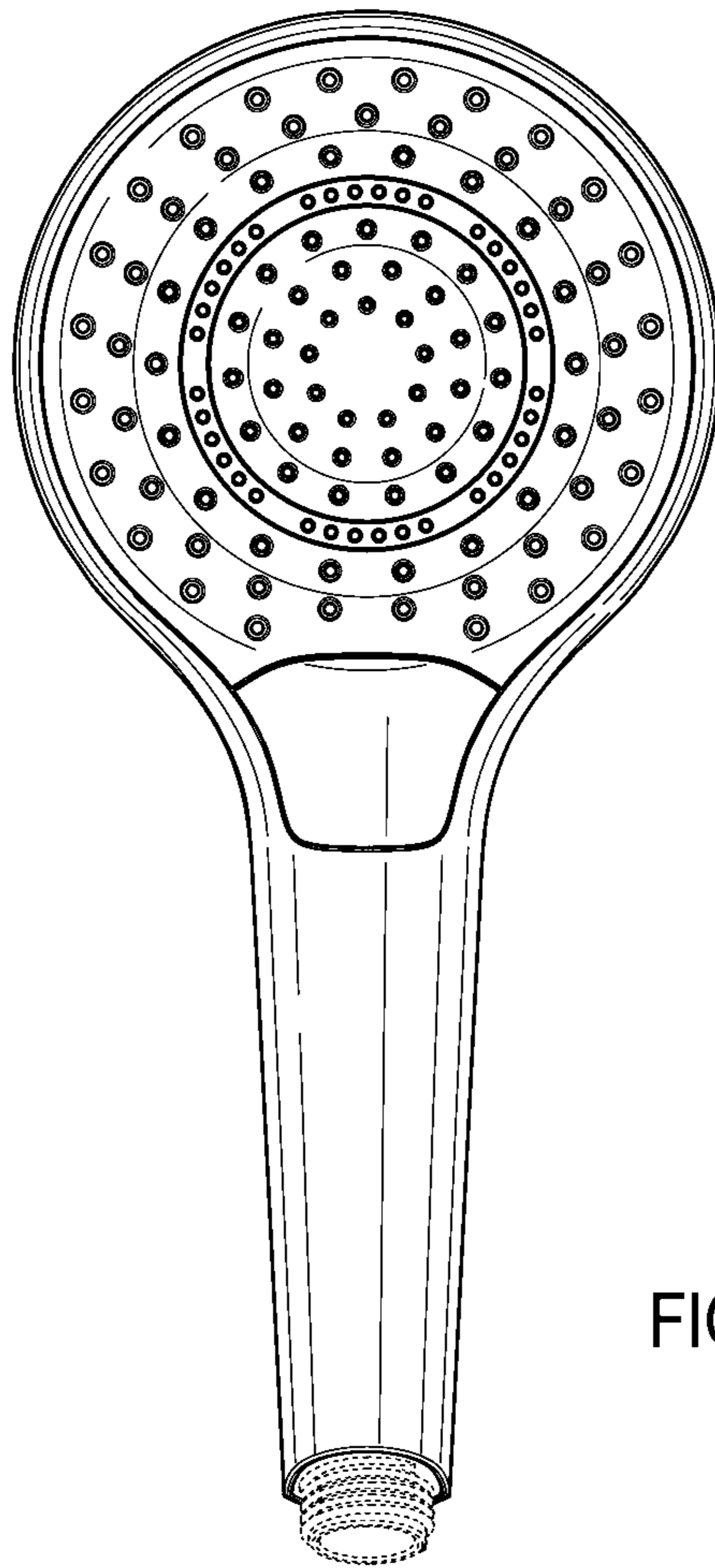


FIG. 7