



US00D707319S

(12) **United States Design Patent**
Hockenhull et al.

(10) **Patent No.:** **US D707,319 S**
(45) **Date of Patent:** **** Jun. 17, 2014**

(54) **WATER FLOATATION DEVICE**

FOREIGN PATENT DOCUMENTS

(71) Applicant: **George Hockenhull**, Colpitts Settlement
(CA)

CA 75114 11/1994
CA 114071 12/2006

(Continued)

(72) Inventors: **George Hockenhull**, Colpitts Settlement
(CA); **Robin Baxter**, Beaverton (CA)

OTHER PUBLICATIONS

Texas Recreation Pool Saddle Float, Google Search—1 page.

(73) Assignee: **George Hockenhull**, Colpitts
Settlement, New Brunswick (CA)

(Continued)

(**) Term: **14 Years**

Primary Examiner — Zenia Bennett

(21) Appl. No.: **29/442,372**

(74) *Attorney, Agent, or Firm* — Kozlowski & Company

(22) Filed: **Feb. 15, 2013**

(57) **CLAIM**

The ornamental design for a water floatation device, as shown and described.

(30) **Foreign Application Priority Data**

DESCRIPTION

Feb. 14, 2013 (CA) 149756

(51) **LOC (10) Cl.** **21-06**

(52) **U.S. Cl.**

USPC **D21/803**

(58) **Field of Classification Search**

USPC D21/769–770, 801, 803, 809; 114/253,
114/345–346; 441/35, 66, 74, 40–42,
441/129–132; 472/128–129; D12/5, 6, 316;
D6/392, 595, 596, 601, 604, 605

See application file for complete search history.

FIG. 1 is an upper right front perspective view of a water floatation device;
FIG. 2 is a lower right front perspective view of the water floatation device of FIG. 1;
FIG. 3 is an upper left rear perspective view of the water floatation device of FIG. 1;
FIG. 4 is a lower left rear perspective view of the water floatation device of FIG. 1;
FIG. 5 is a top plan view of the water floatation device of FIG. 1;
FIG. 6 is a bottom plan view of the water floatation device of FIG. 1;
FIG. 7 is a front elevational view of the water floatation device of FIG. 1;
FIG. 8 is a rear elevational view of the water floatation device of FIG. 1;
FIG. 9 is a right side elevational view of the water floatation device of FIG. 1; and,
FIG. 10 is a left side elevational view of the water floatation device of FIG. 1.

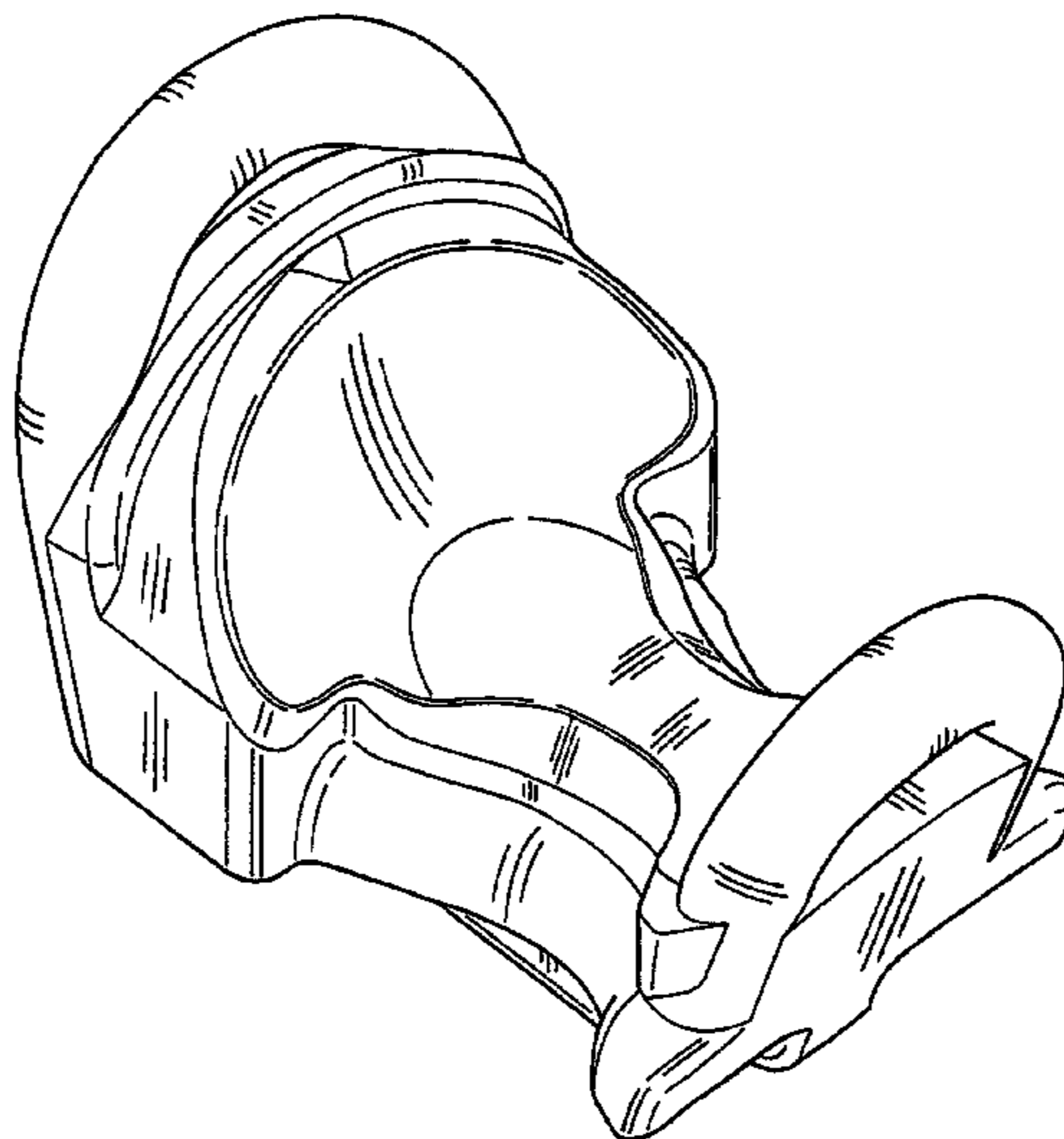
(56) **References Cited**

U.S. PATENT DOCUMENTS

827,526 A 7/1906 Cox
1,027,741 A 5/1912 Lentz
1,317,741 A 10/1919 Turnbull
2,013,410 A 9/1935 Howland
2,075,374 A 3/1937 Tucker
2,343,965 A 3/1944 Fisch
2,404,729 A 7/1946 Hurt

(Continued)

1 Claim, 10 Drawing Sheets



(56)

References Cited

U.S. PATENT DOCUMENTS

2,435,497 A 2/1948 Hajduk
 D161,305 S 12/1950 Bernstein
 2,534,904 A 12/1950 Feero
 D163,253 S 5/1951 Burkes
 D167,078 S 6/1951 Harrowe
 2,688,207 A 9/1954 Hurt
 2,894,270 A 7/1959 Manthos
 2,946,068 A 7/1960 Jasper
 3,183,530 A 5/1965 Girden
 3,312,040 A 4/1967 Nuzzo
 3,698,608 A 10/1972 Entwistle
 D263,066 S 2/1982 Merino et al.
 4,336,931 A 6/1982 van Staden
 4,459,116 A 7/1984 Moore
 D278,277 S 4/1985 Sarnelli
 4,516,517 A 5/1985 Ayers
 D280,005 S 8/1985 Jones
 4,580,988 A 4/1986 Correll
 4,601,667 A 7/1986 Hull
 4,608,811 A 9/1986 Echeverri
 4,619,620 A 10/1986 Felter
 D290,108 S 6/1987 Wolfe
 4,718,661 A 1/1988 Wolfe
 4,848,067 A 7/1989 Martinsen
 4,926,781 A 5/1990 Bauer
 4,962,921 A 10/1990 Simmons
 4,986,786 A 1/1991 Halt et al.
 5,320,060 A 6/1994 Gunter
 5,343,674 A 9/1994 Brown
 D359,088 S 6/1995 Ryaa et al.
 5,435,116 A 7/1995 Brown
 5,443,409 A 8/1995 Adamson
 D362,895 S 10/1995 Nicholson
 D372,950 S 8/1996 Nicholson
 5,562,514 A 10/1996 Rowe
 D377,821 S * 2/1997 Kuan D21/809
 5,685,753 A 11/1997 Canela et al.

5,791,958 A 8/1998 Yeung
 D418,893 S * 1/2000 Peng D21/801
 6,023,919 A 2/2000 Deckert et al.
 D422,332 S * 4/2000 Zeilinger D21/823
 D435,621 S 12/2000 Peterson
 6,206,742 B1 3/2001 Bull et al.
 D481,421 S 10/2003 Barbis
 6,638,126 B2 10/2003 Lariviere
 6,692,322 B1 2/2004 Heatherly
 6,860,216 B1 3/2005 Morriseau
 7,037,155 B2 5/2006 Freeman et al.
 D526,688 S 8/2006 Marshall et al.
 D526,689 S 8/2006 Marshall et al.
 D574,917 S * 8/2008 Parham D21/809
 7,484,468 B2 2/2009 Russell
 7,837,527 B2 11/2010 Debby
 8,020,362 B2 9/2011 Kroetch
 D651,273 S 12/2011 Graham
 8,187,047 B1 5/2012 Brooks
 2004/0229532 A1 11/2004 Lu et al.
 2005/0233676 A1 10/2005 Bohart
 2007/0072500 A1 3/2007 Rockstad et al.

FOREIGN PATENT DOCUMENTS

CA 114301 4/2007
 EP 2080538 A1 7/2009
 JP 2001-145716 5/2001
 WO WO98/31916 7/1998

OTHER PUBLICATIONS

Spongex Aqua Saddle , Google Search—1 page.
 Solar Saddle for Above Ground pools—1 page.
 Pool Saddle Float—Product ID8590126 Set of 8—1 page.
 Intex My Baby Float Floaty ring saddle toys floating chair seat—1 page.
<http://www.donkeytechnology.com/prototype-b-manufacture-and-test/> Picture of girl with float ring on donkey—1 page.

* cited by examiner

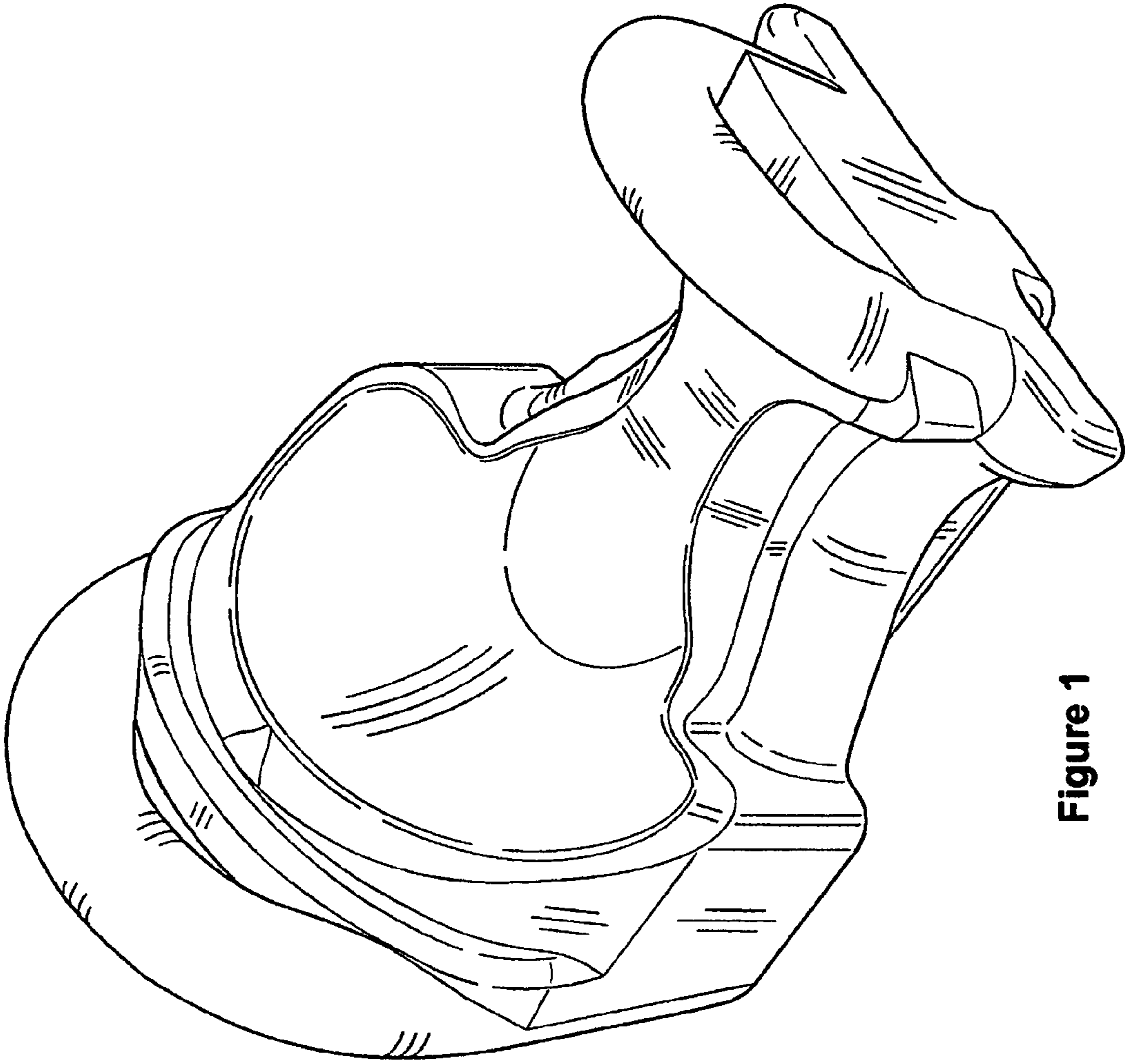


Figure 1

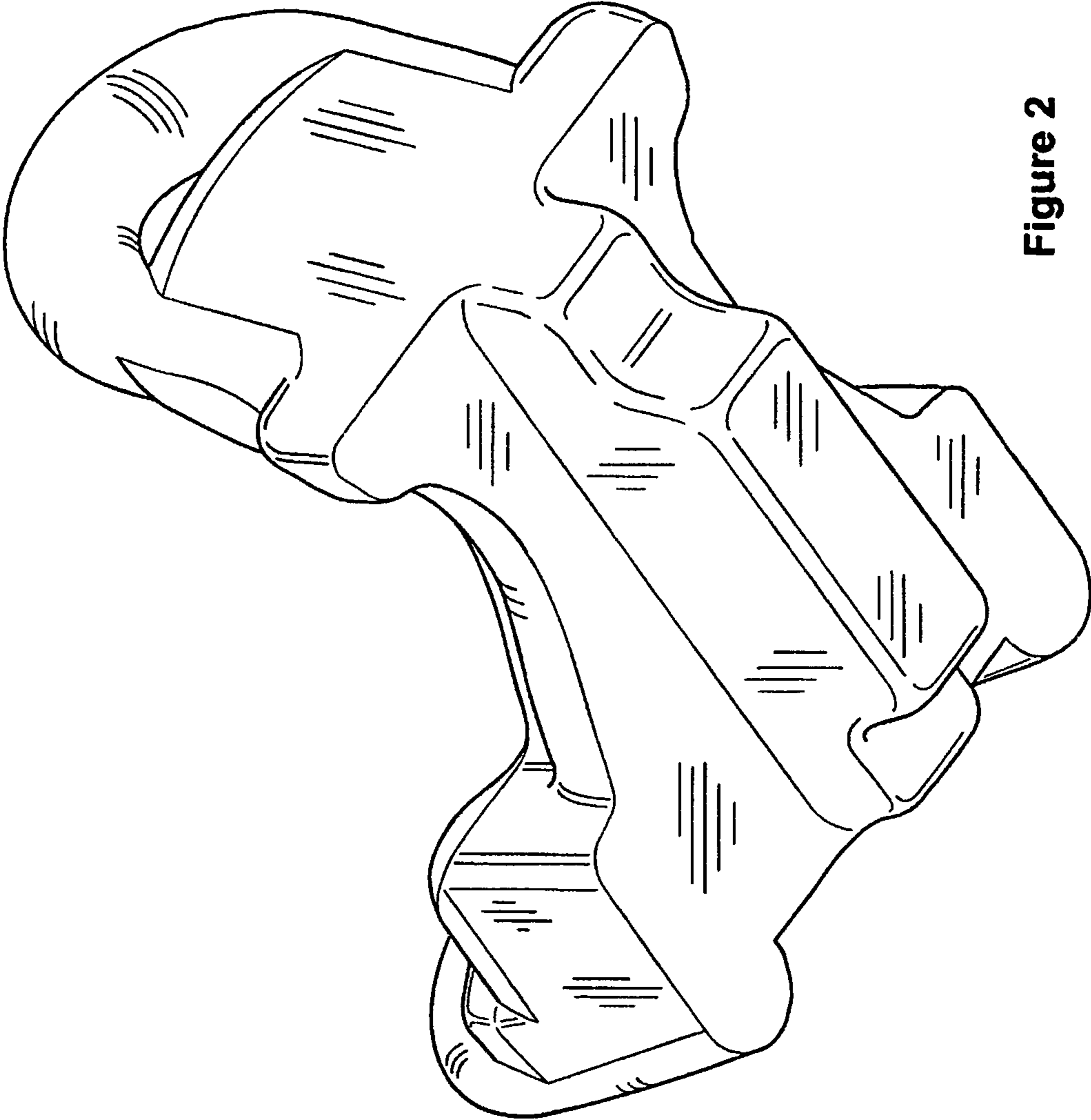


Figure 2

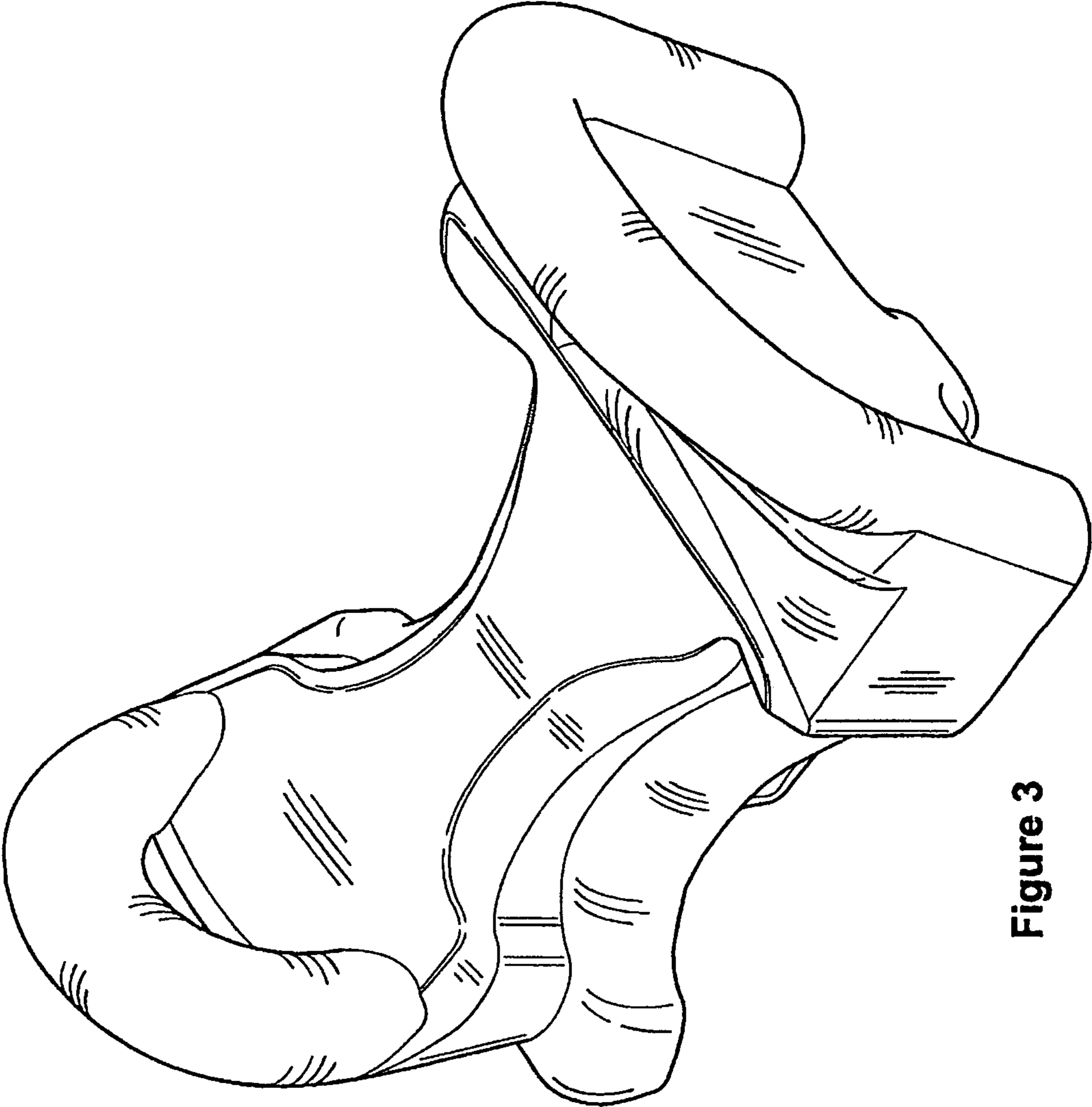


Figure 3

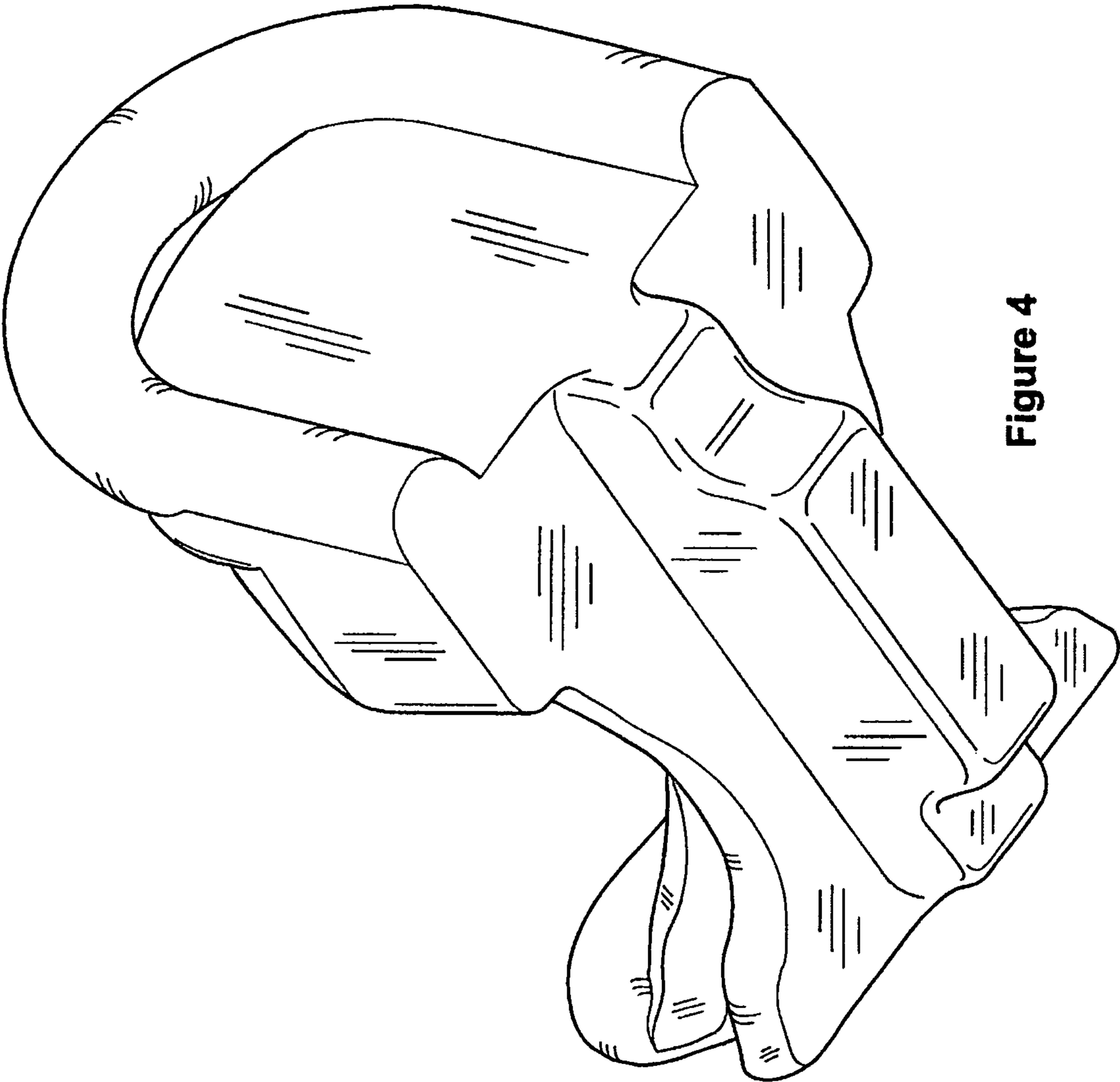


Figure 4

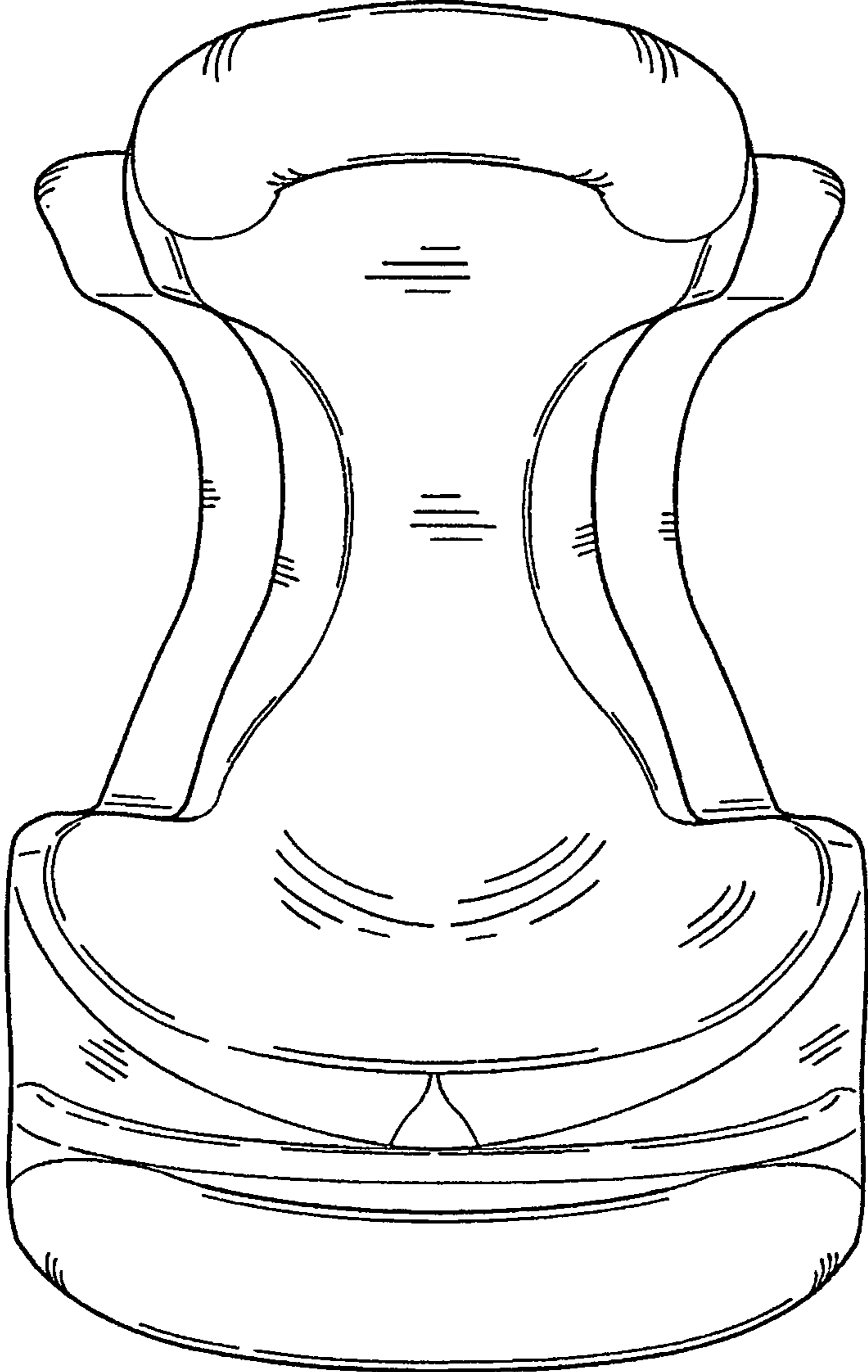


Figure 5

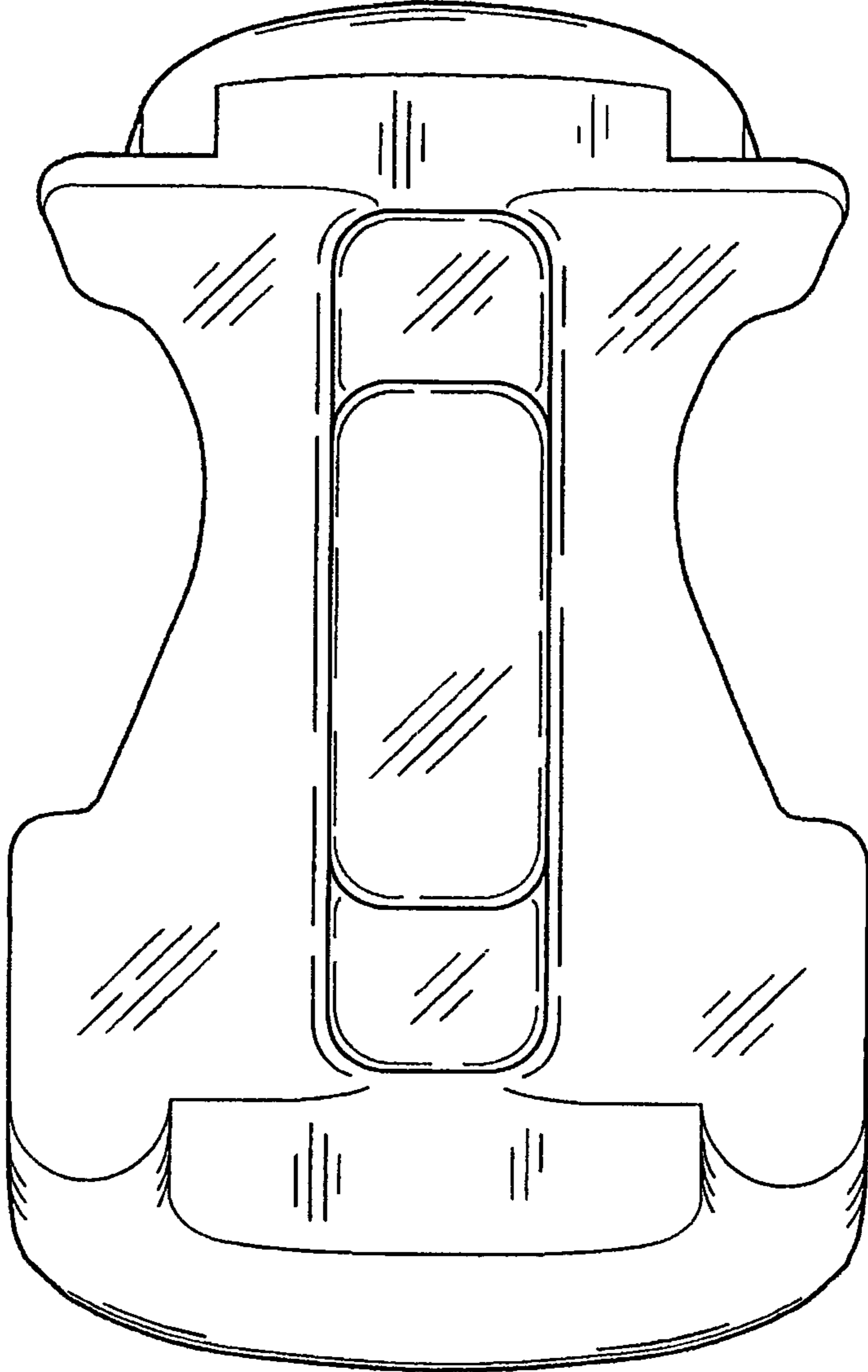


Figure 6

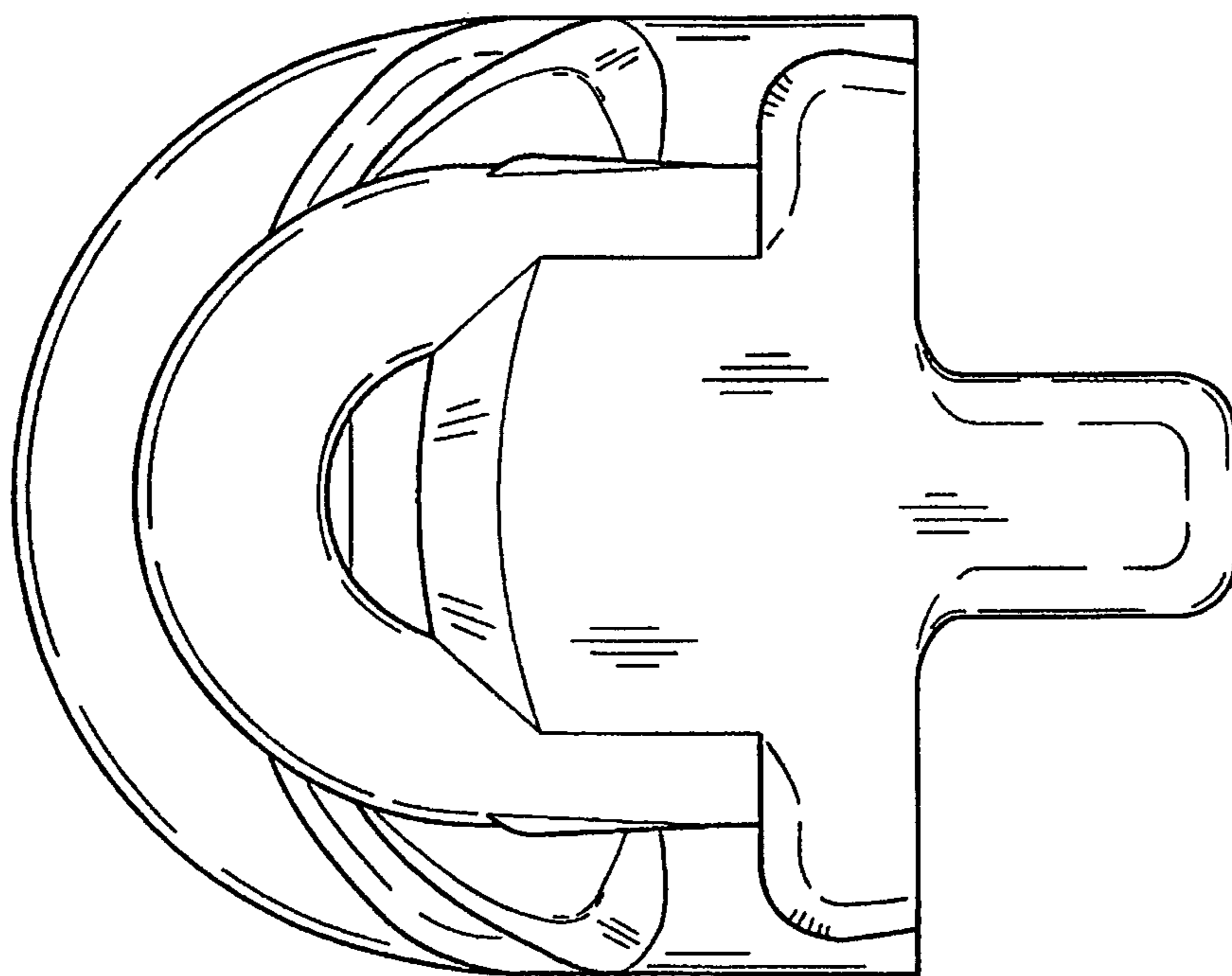


Figure 7

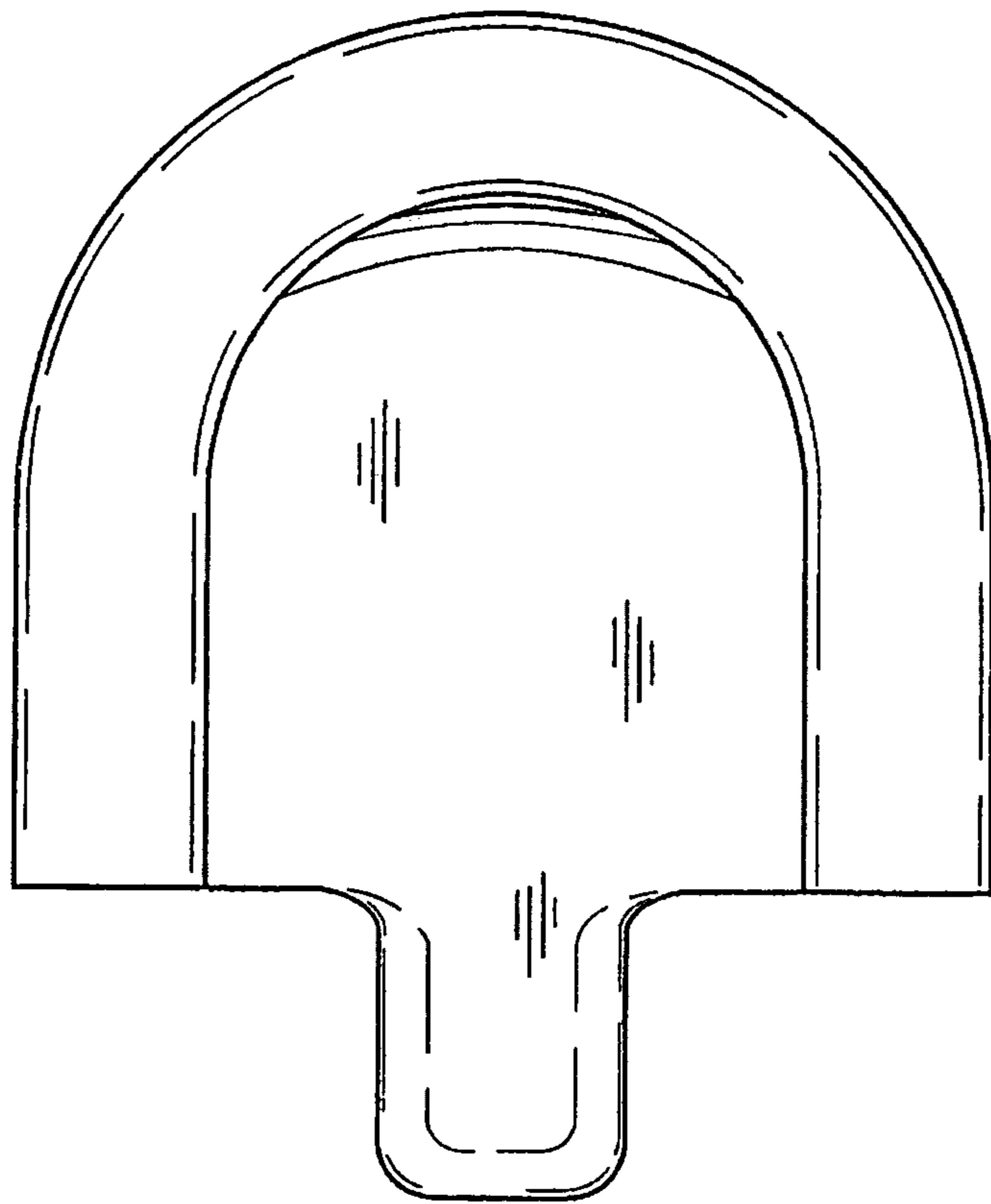


Figure 8

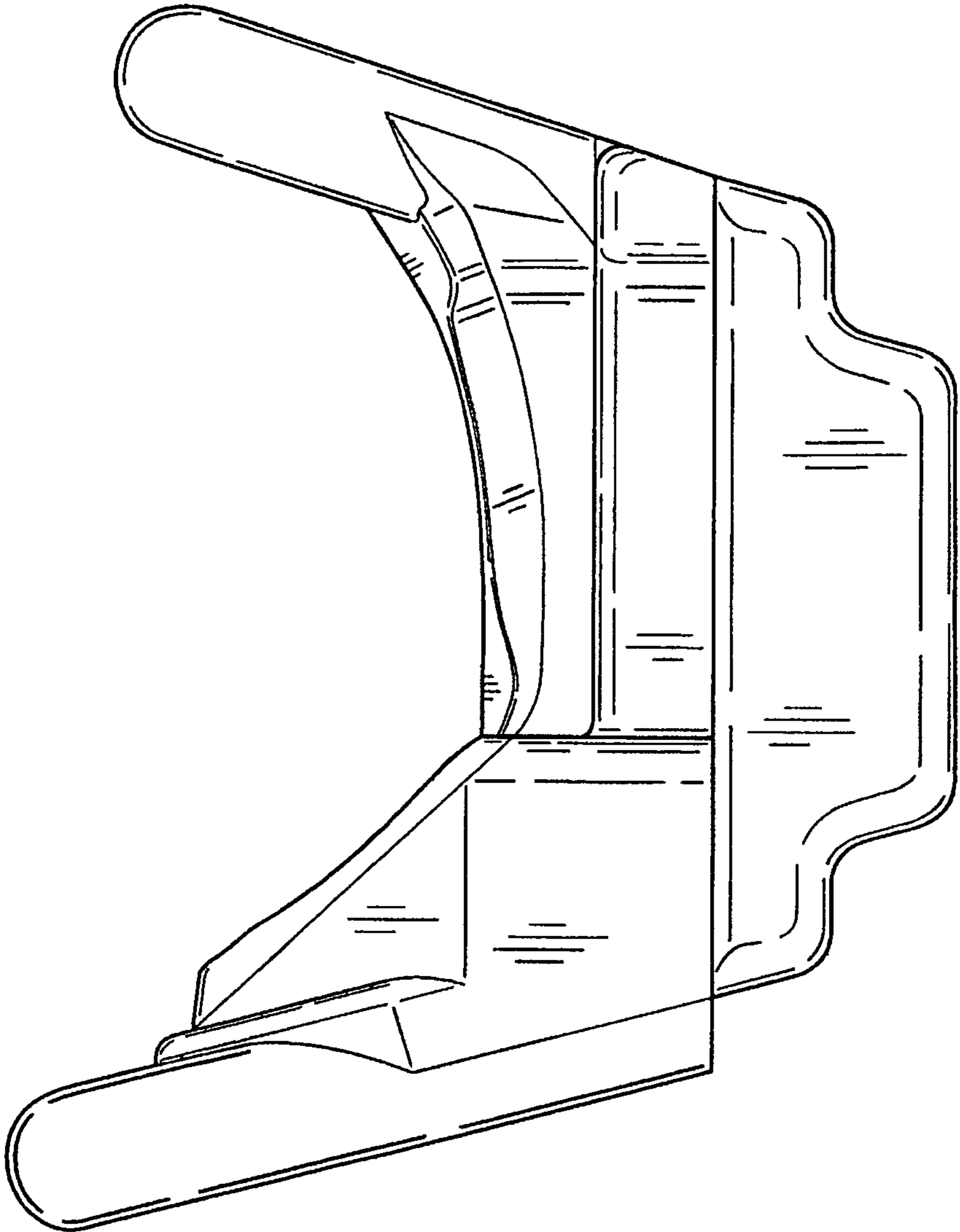


Figure 9

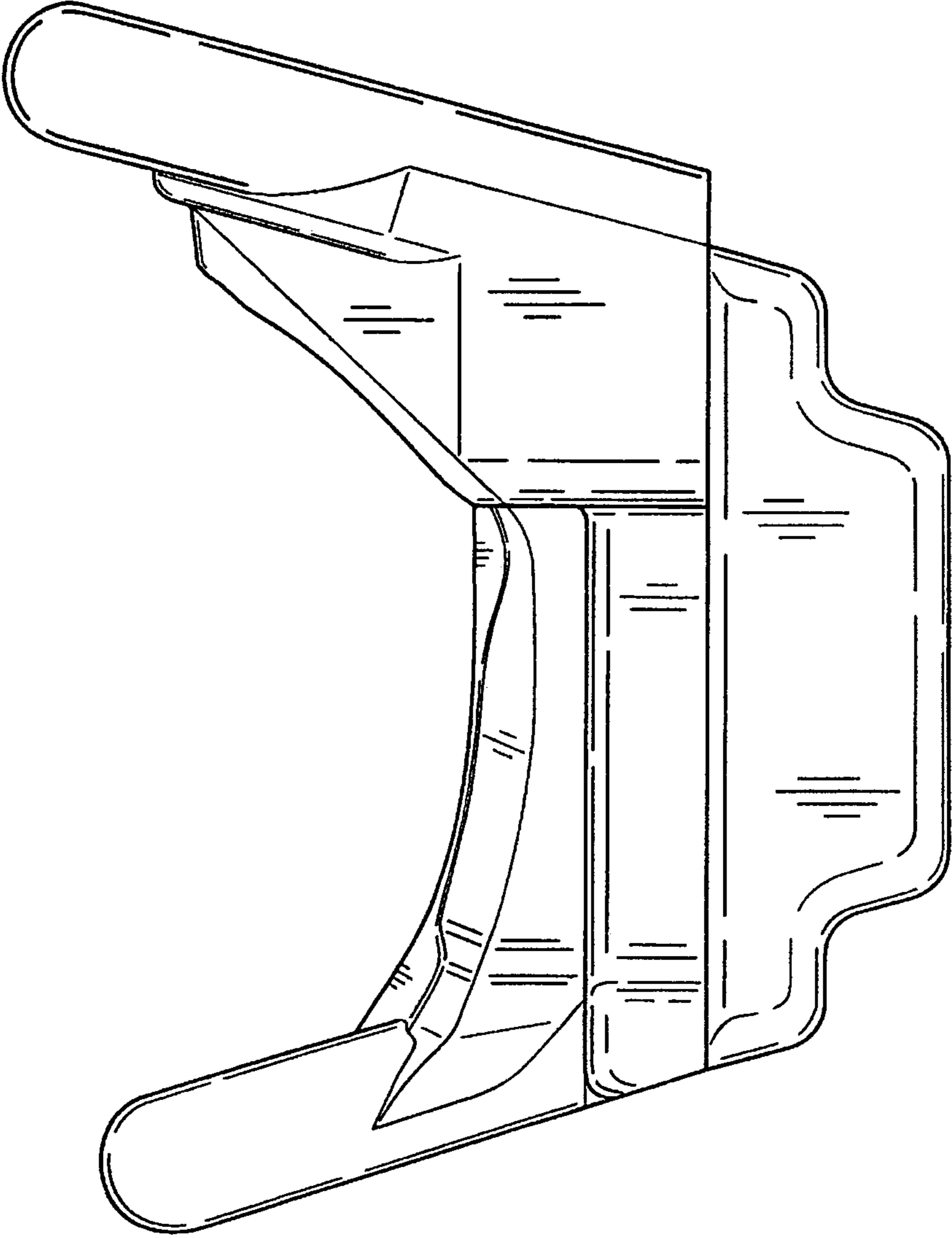


Figure 10