



US00D707318S

(12) **United States Design Patent**
Kim

(10) **Patent No.:** **US D707,318 S**
(45) **Date of Patent:** **** Jun. 17, 2014**

(54) **GOLF BALL MARKING TEMPLATE**

(71) Applicant: **Sang Kim**, Allendale, NJ (US)

(72) Inventor: **Sang Kim**, Allendale, NJ (US)

(73) Assignee: **Ssam Sports, Inc.**, Allendale, NJ (US)

(**) Term: **14 Years**

(21) Appl. No.: **29/455,000**

(22) Filed: **May 16, 2013**

(51) **LOC (10) Cl.** **21-02**

(52) **U.S. Cl.**
USPC **D21/789**

(58) **Field of Classification Search**
USPC D21/789, 791; 473/257, 353, 407;
D10/82; 101/35

See application file for complete search history.

(56) **References Cited**

U.S. PATENT DOCUMENTS

D301,554 S * 6/1989 Ogawa D10/82
D323,301 S * 1/1992 Cheng D10/82
D531,248 S * 10/2006 Burnett D21/789

D542,875 S * 5/2007 Rankin et al. D21/789
D558,291 S * 12/2007 Burnett D21/789
D569,469 S * 5/2008 Dingman et al. D21/789
D604,786 S * 11/2009 Millar D21/789
8,627,768 B2 * 1/2014 Smith 101/35

* cited by examiner

Primary Examiner — Mitchell Siegel

(74) *Attorney, Agent, or Firm* — Lowenstein Sandler LLP

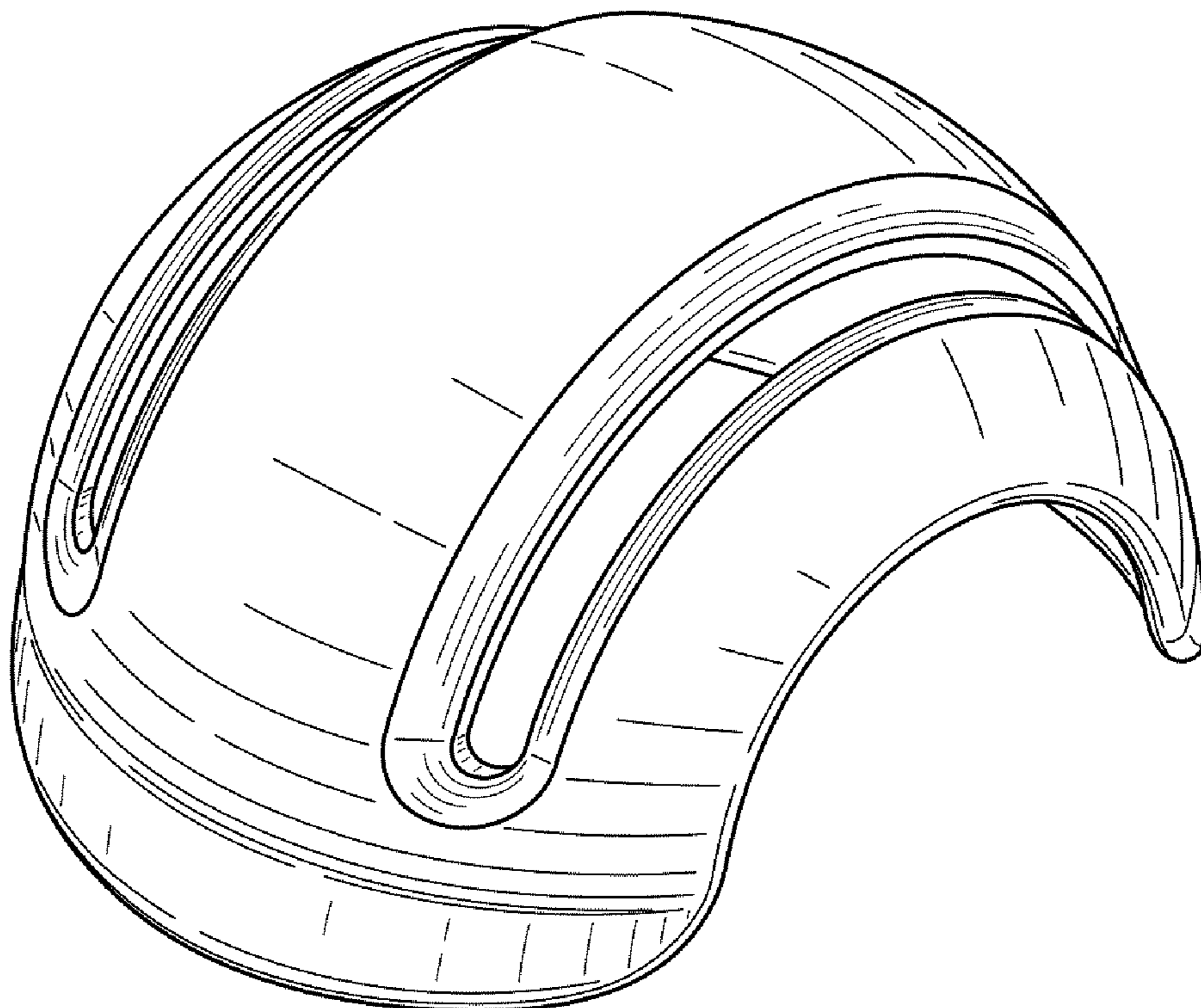
(57) **CLAIM**

The ornamental design for a golf ball marking template, as shown and described.

DESCRIPTION

FIG. 1 is a perspective view of a golf ball marking template embodying the present invention;
FIG. 2 is a front view thereof;
FIG. 3 is a rear view thereof;
FIG. 4 is a left view thereof;
FIG. 5 is a right view thereof;
FIG. 6 is a top plan view thereof;
FIG. 7 is a bottom plan view thereof; and,
FIG. 8 is a perspective view thereof.

1 Claim, 3 Drawing Sheets



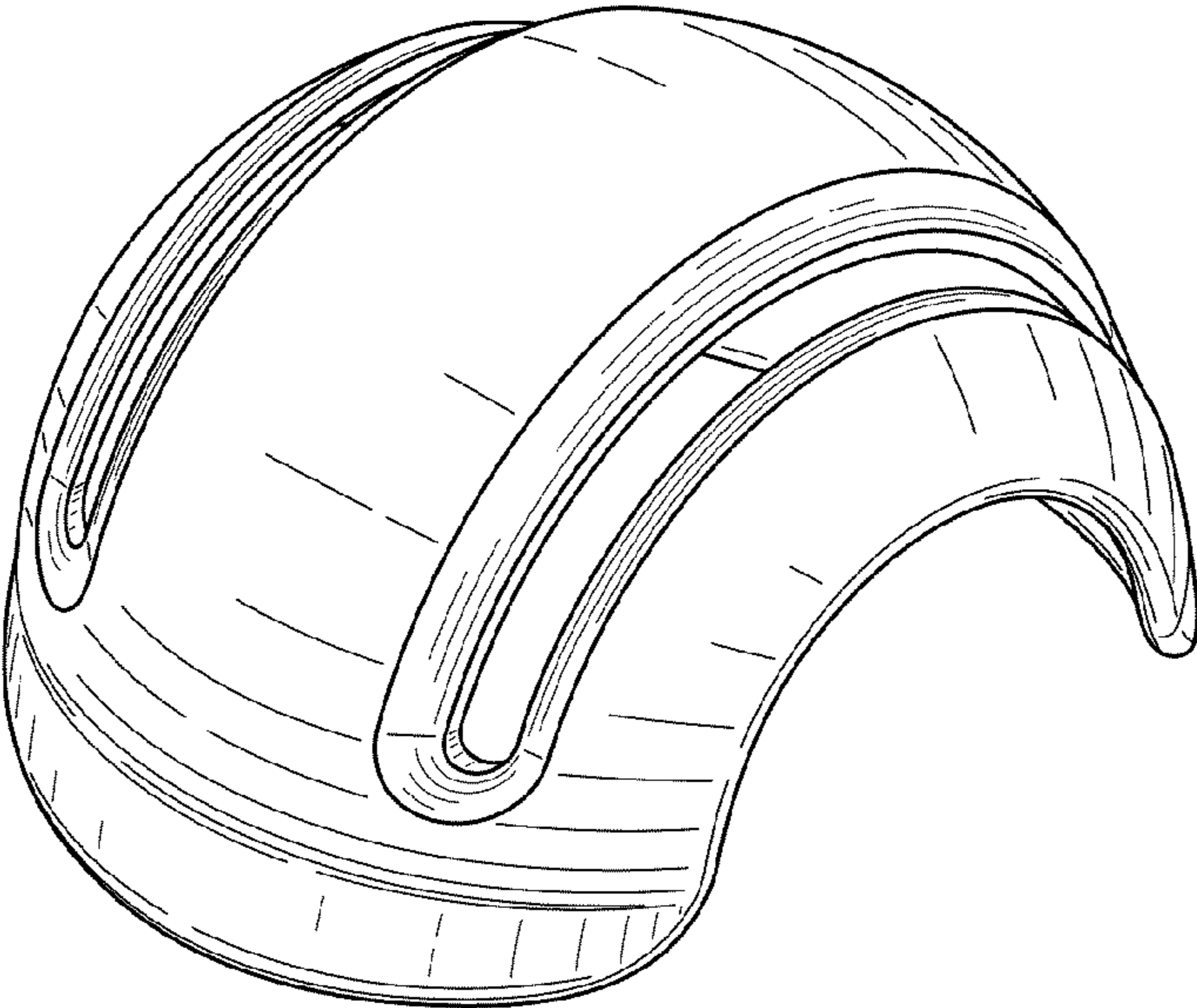


FIG. 1

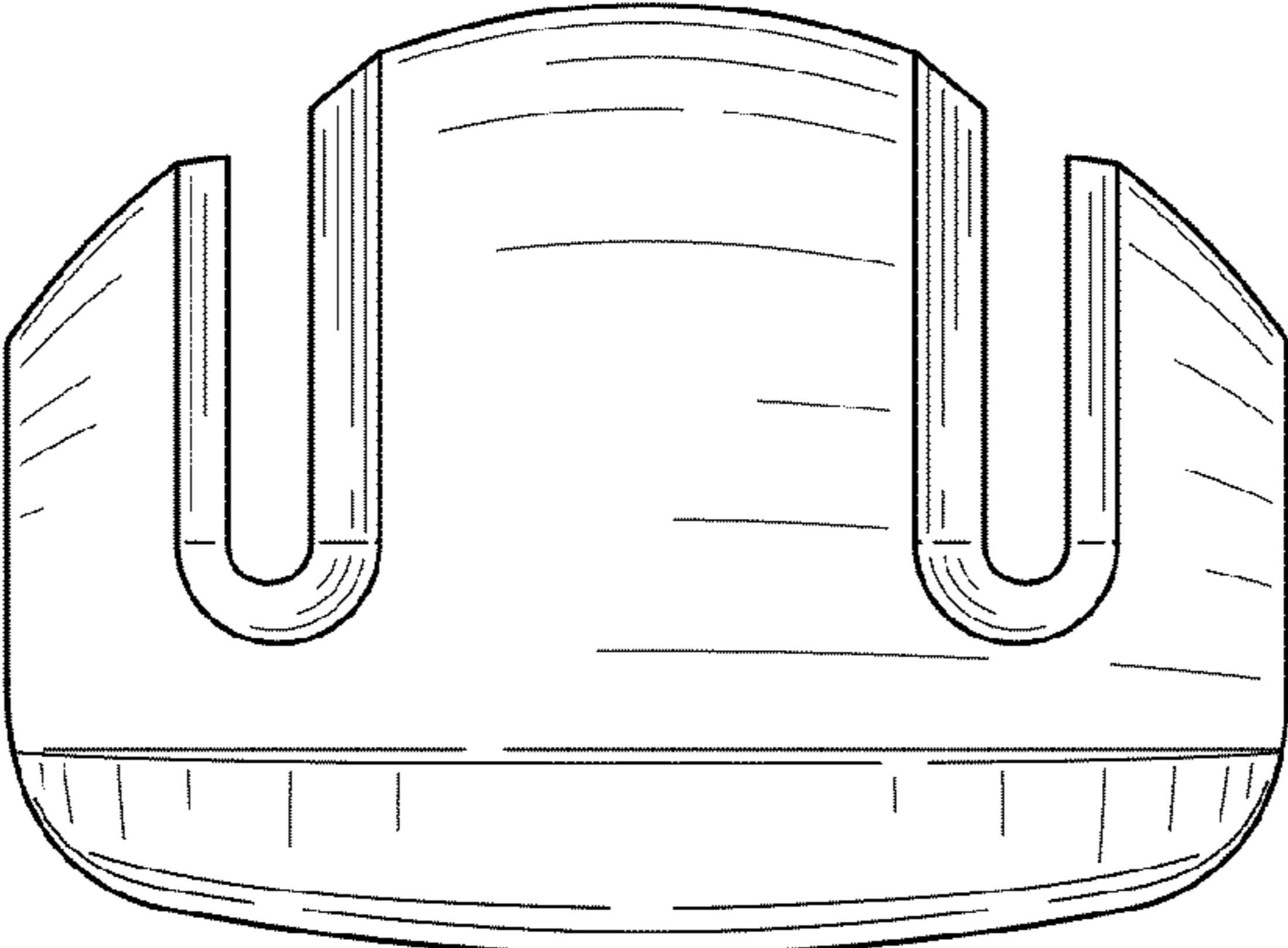


FIG. 2

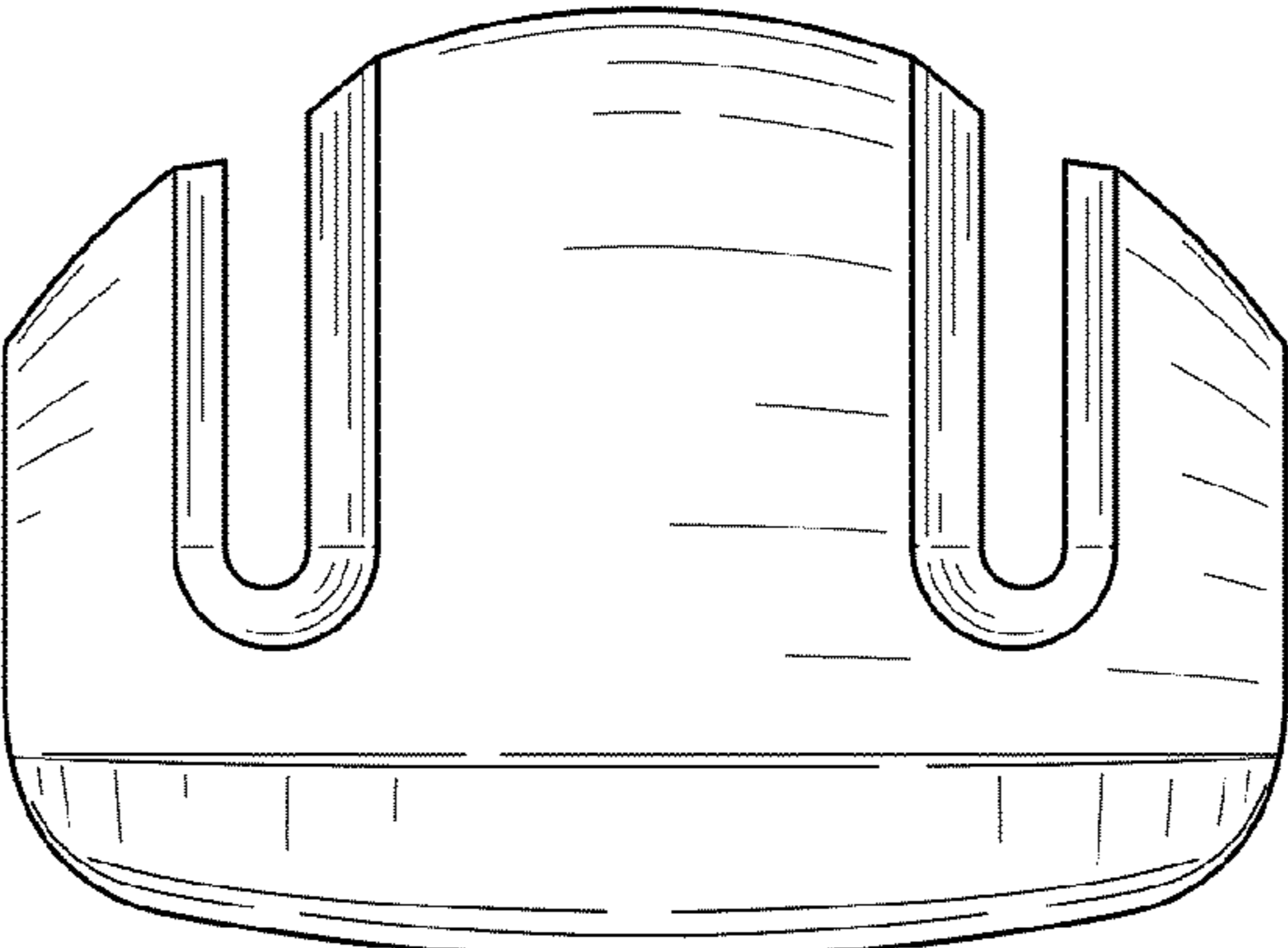


FIG. 3

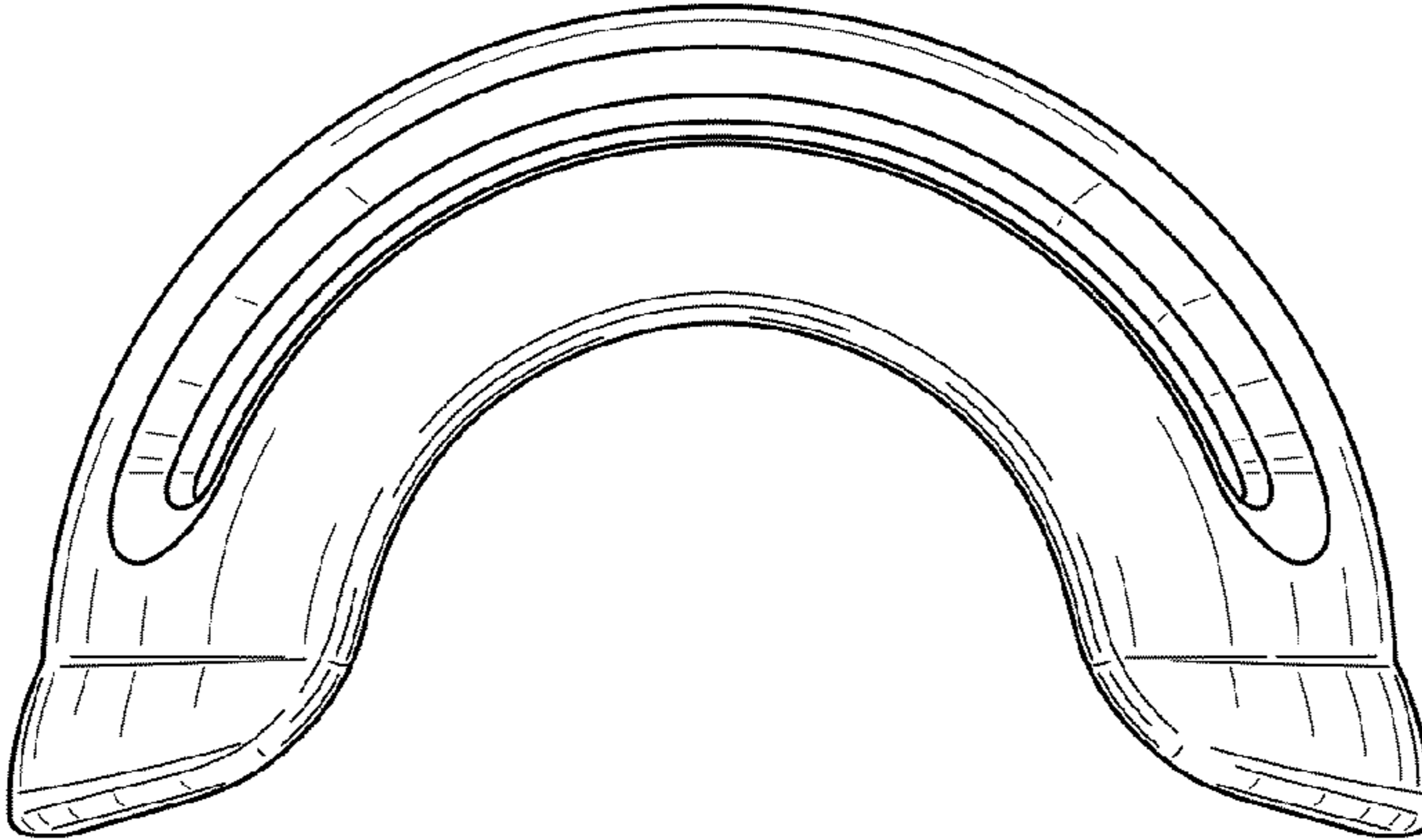


FIG. 4

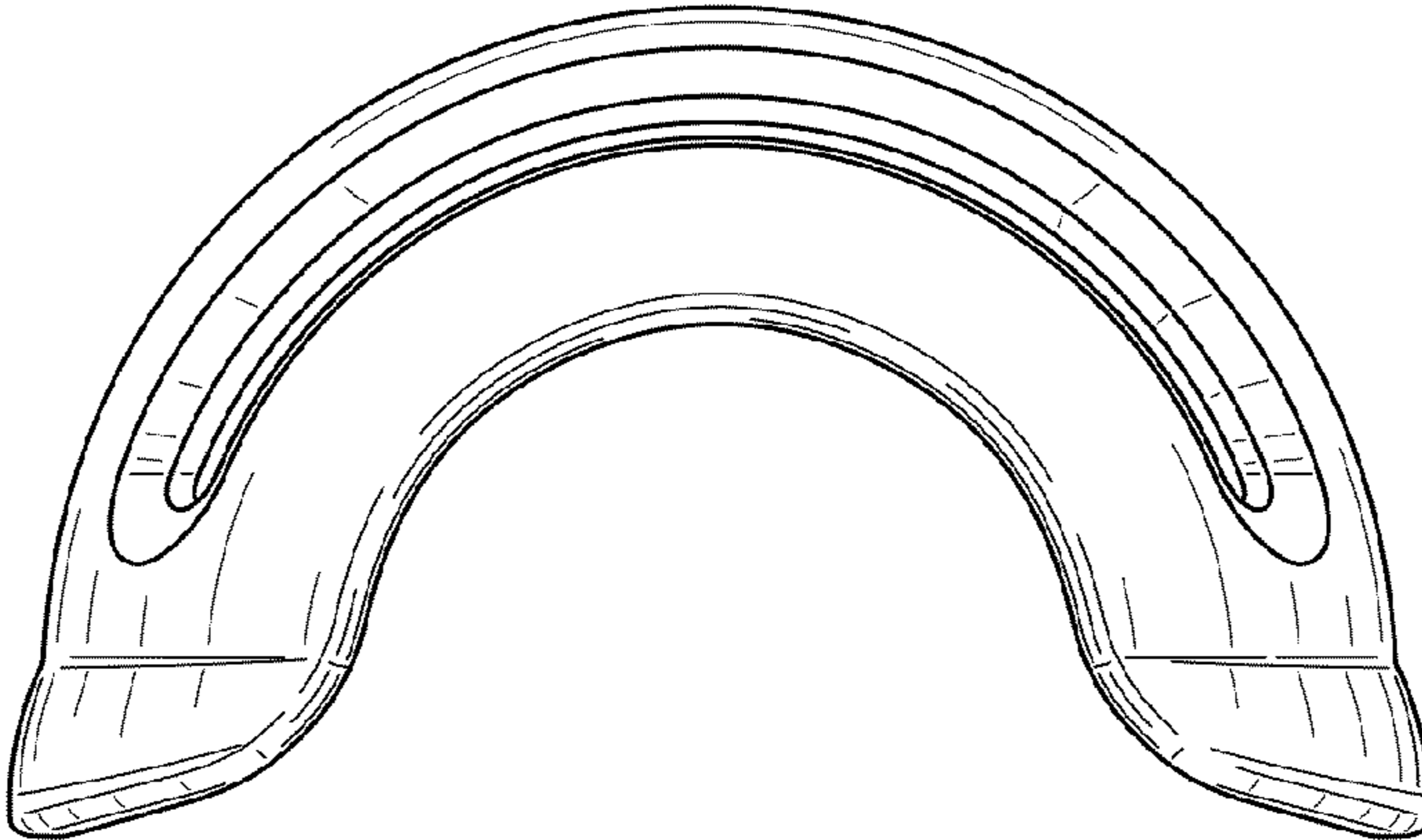


FIG. 5

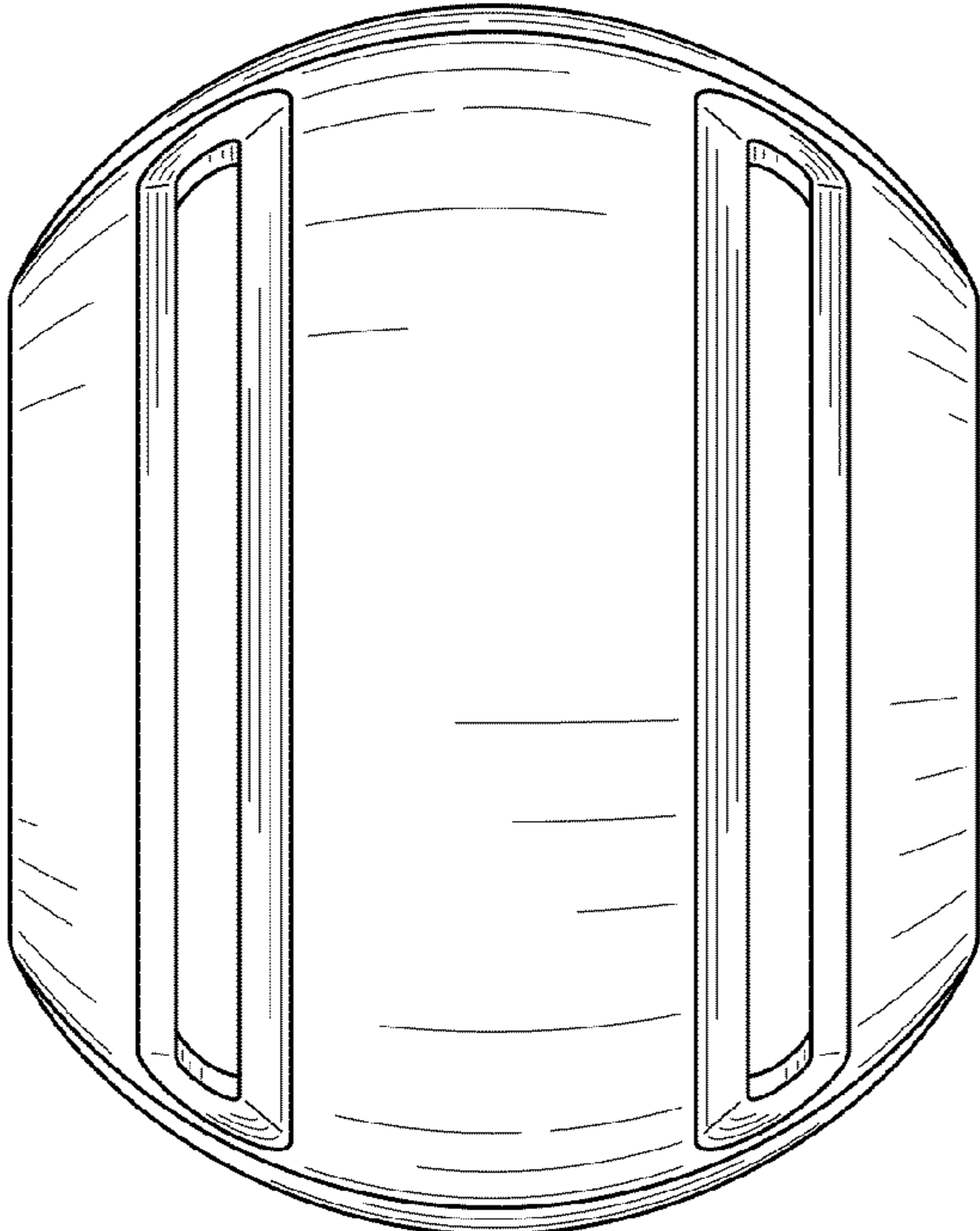


FIG. 6

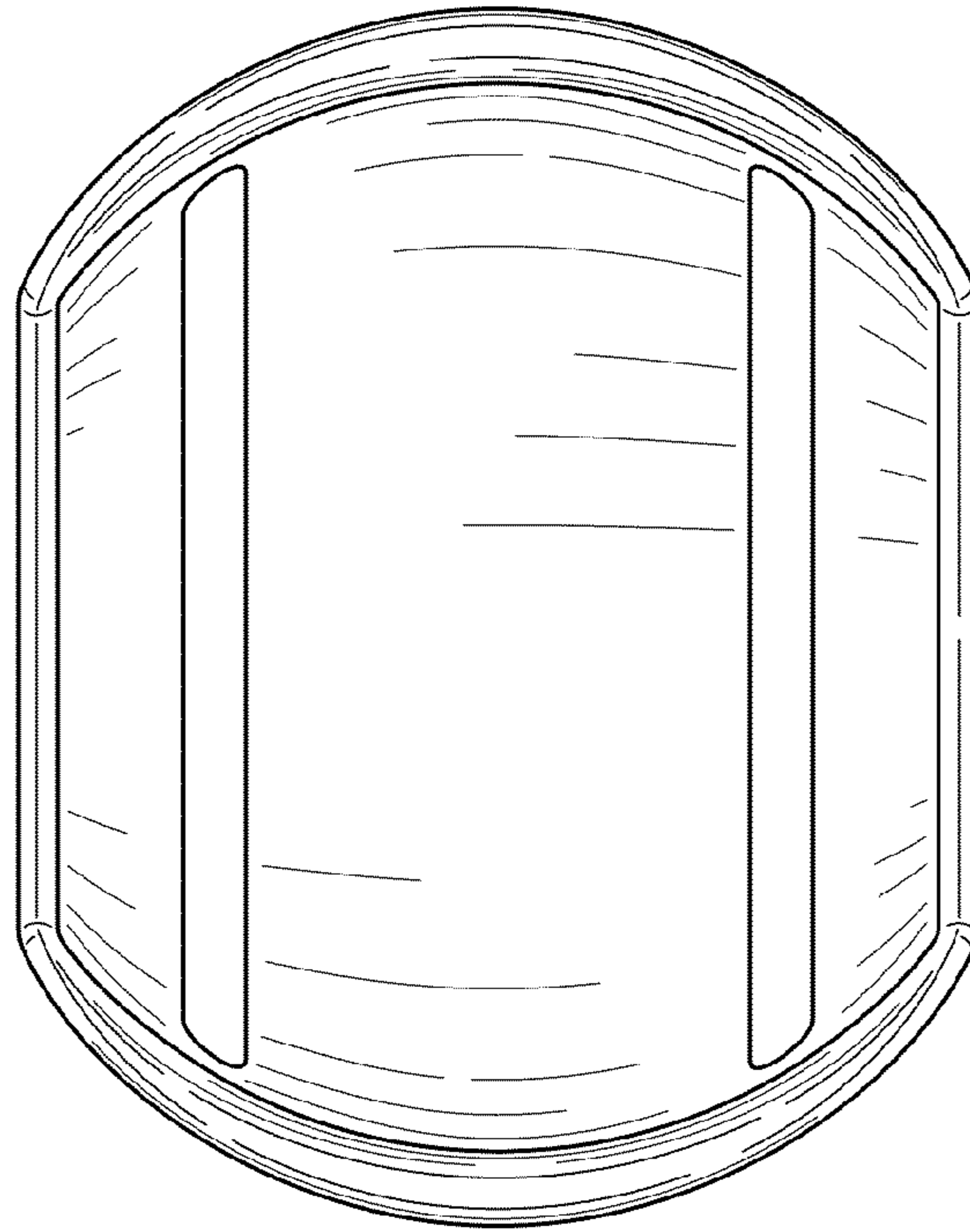


FIG. 7

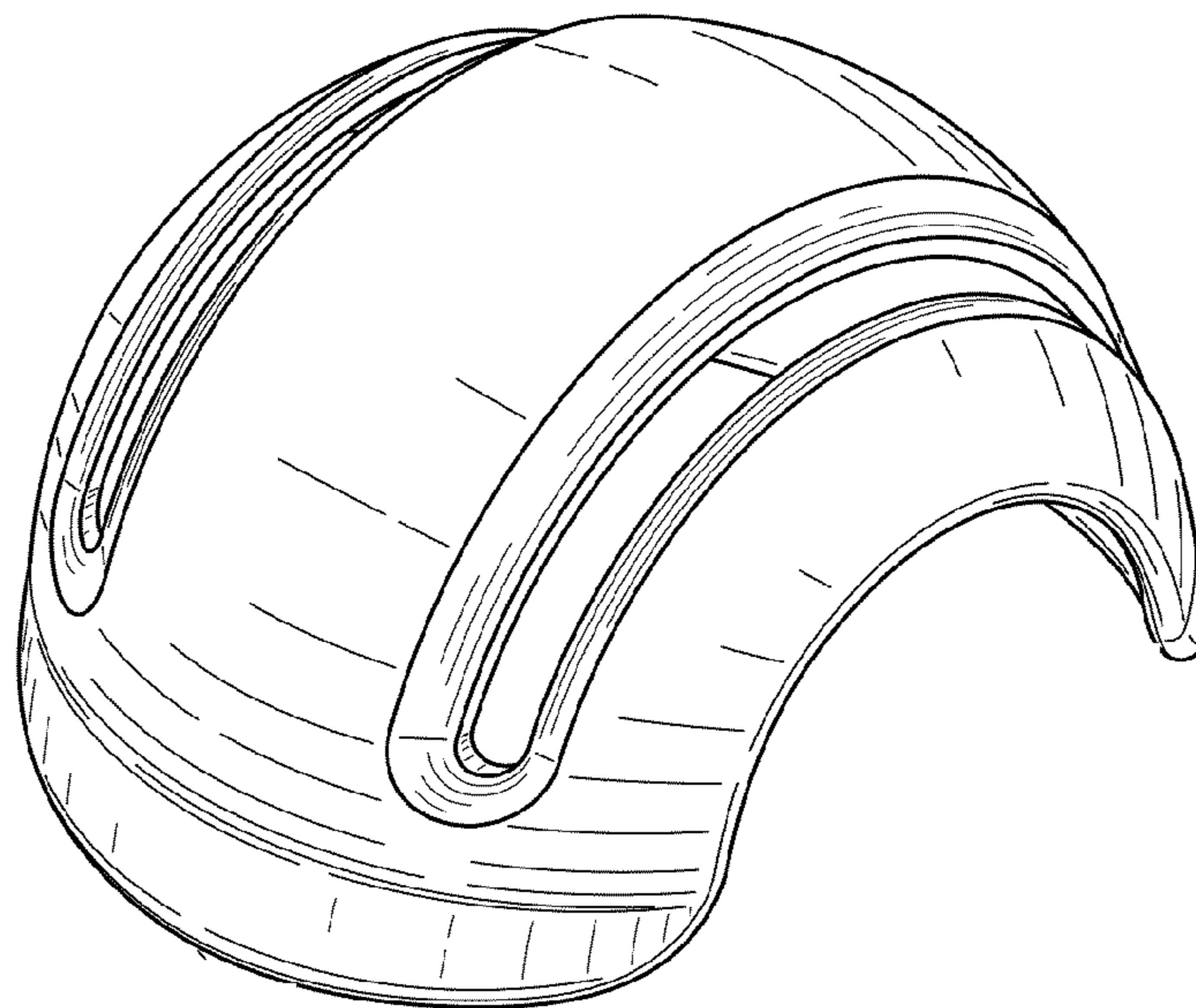


FIG. 8