



US00D707314S

(12) **United States Design Patent**  
**Mickle**

(10) **Patent No.:** **US D707,314 S**  
(45) **Date of Patent:** **\*\* \*Jun. 17, 2014**

- (54) **PUTTER HEAD**
- (71) Applicant: **Wesley J. Mickle**, Weatherford, TX (US)
- (72) Inventor: **Wesley J. Mickle**, Weatherford, TX (US)
- (\*) Notice: This patent is subject to a terminal disclaimer.
- (\*\*) Term: **14 Years**
- (21) Appl. No.: **29/455,500**
- (22) Filed: **May 21, 2013**

5,226,654 A	7/1993	Solheim	
5,467,989 A	11/1995	Good et al.	
D374,470 S *	10/1996	Steele	D21/745
D375,131 S *	10/1996	Williams	D21/743
D380,801 S *	7/1997	Steele	D21/744
D399,900 S *	10/1998	Hogan	D21/742
D403,387 S *	12/1998	Bloomer	D21/736
5,964,669 A *	10/1999	Bloomer	473/250
D435,879 S *	1/2001	Jackson	D21/736
RE37,519 E	1/2002	Densberger et al.	

(Continued)

*Primary Examiner* — Mitchell Siegel

(74) *Attorney, Agent, or Firm* — Decker Jones et al.; Brian K. Yost; Geoffrey A. Mantooth

**Related U.S. Application Data**

- (62) Division of application No. 29/442,133, filed on Dec. 14, 2012.
- (51) **LOC (10) Cl.** ..... **21-02**
- (52) **U.S. Cl.**  
USPC ..... **D21/736**
- (58) **Field of Classification Search**  
USPC ..... D21/736-746, 759; 473/324-331,  
473/340-341, 251-256  
See application file for complete search history.

(57) **CLAIM**

The ornamental design for a putter head, as shown and described.

**DESCRIPTION**

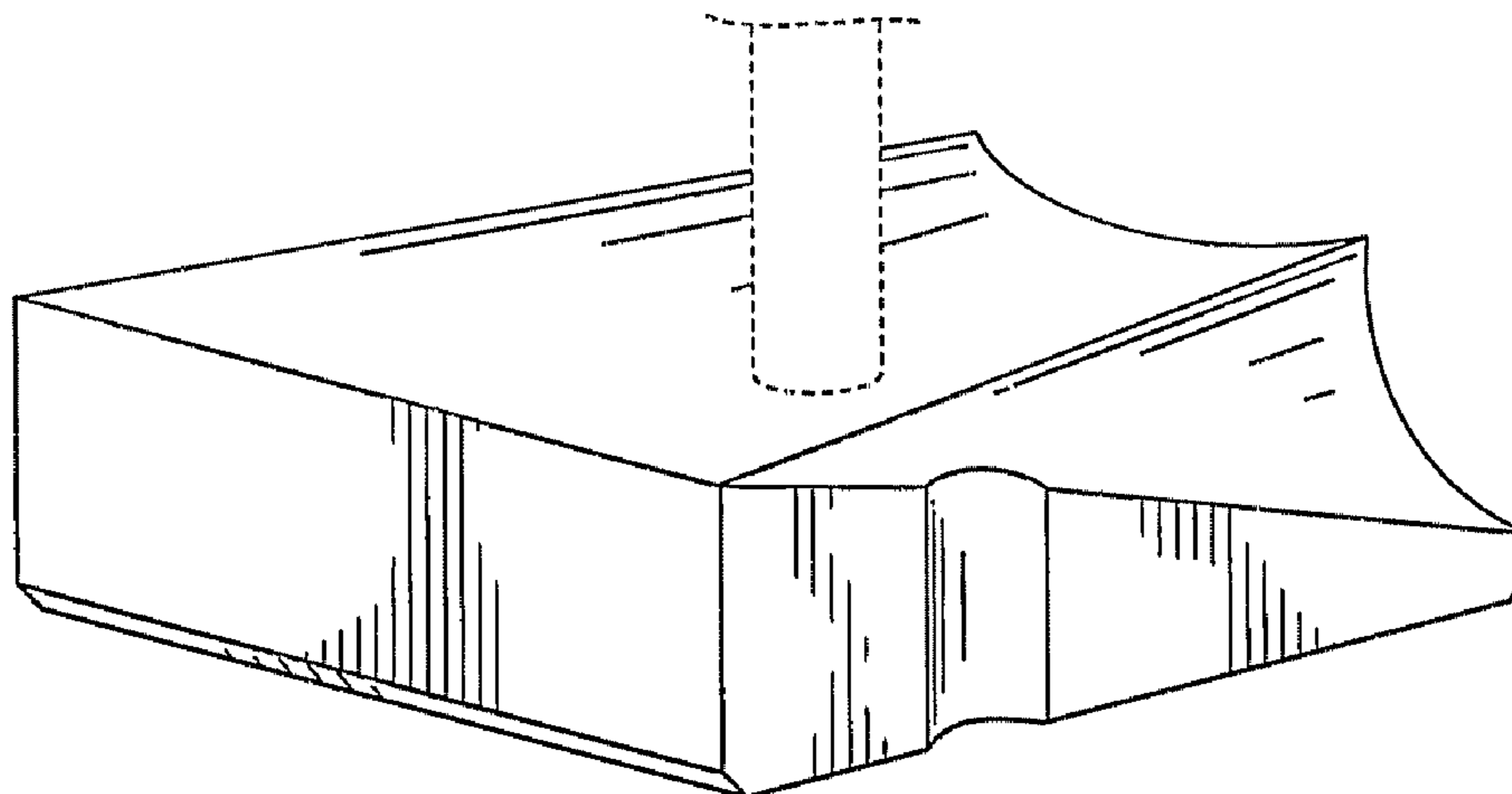
FIG. 1 is a perspective view of a putter head according to my new design;  
 FIG. 2 is a perspective view of a putter head according to my new design;  
 FIG. 3 is a front elevation view of the putter head shown in FIGS. 1 and 2;  
 FIG. 4 is a rear elevation view of the putter head shown in FIG. 3;  
 FIG. 5 is a top plan view of the putter head shown in FIG. 3;  
 FIG. 6 is a bottom plan view of the putter head shown in FIG. 5;  
 FIG. 7 is a side elevation view of the putter head shown in FIG. 2; and,  
 FIG. 8 is a side elevation view of the putter head shown in FIG. 1.  
 The broken lines showing the shaft in FIGS. 1-4 and FIGS. 7-8 and the shaft opening in FIG. 5 are shown for illustrative purposes and form no part of the claimed design.

(56) **References Cited**

U.S. PATENT DOCUMENTS

1,454,267 A	5/1923	Challis et al.	
2,843,384 A *	7/1958	Schmidt	D21/736
3,043,596 A	7/1962	Ehmke	
D206,549 S	12/1966	Mackenzie	
3,866,922 A	2/1975	Marci et al.	
3,873,094 A	3/1975	Sebo et al.	
4,222,566 A	9/1980	Berry	
4,326,716 A	4/1982	LaCoste	
4,369,974 A *	1/1983	Komperda	473/250
4,749,196 A	6/1988	Podgor	
5,082,277 A	1/1992	Gingold	
D325,414 S *	4/1992	Woolsey	D21/737

**1 Claim, 2 Drawing Sheets**



(56)

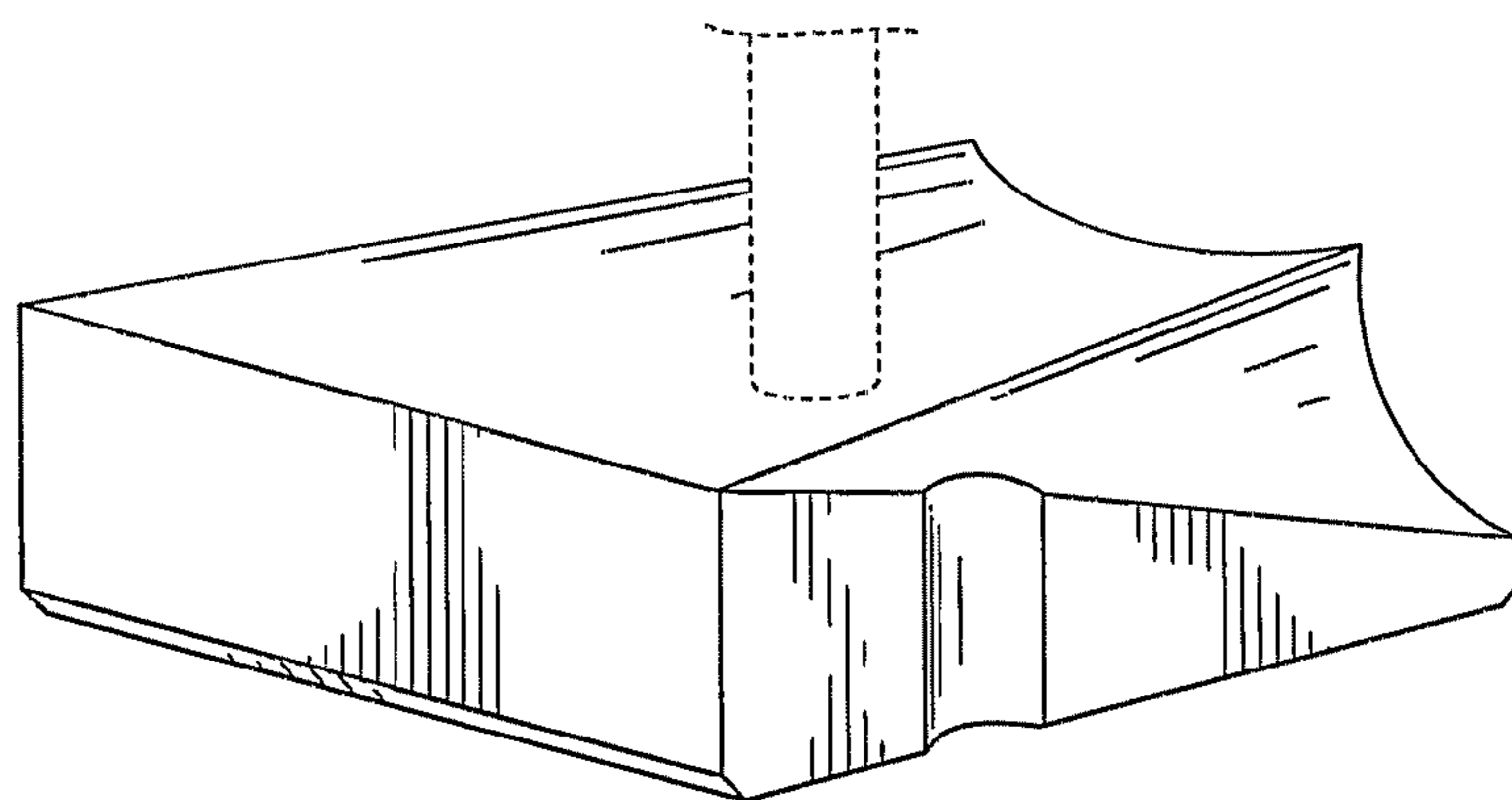
**References Cited**

U.S. PATENT DOCUMENTS

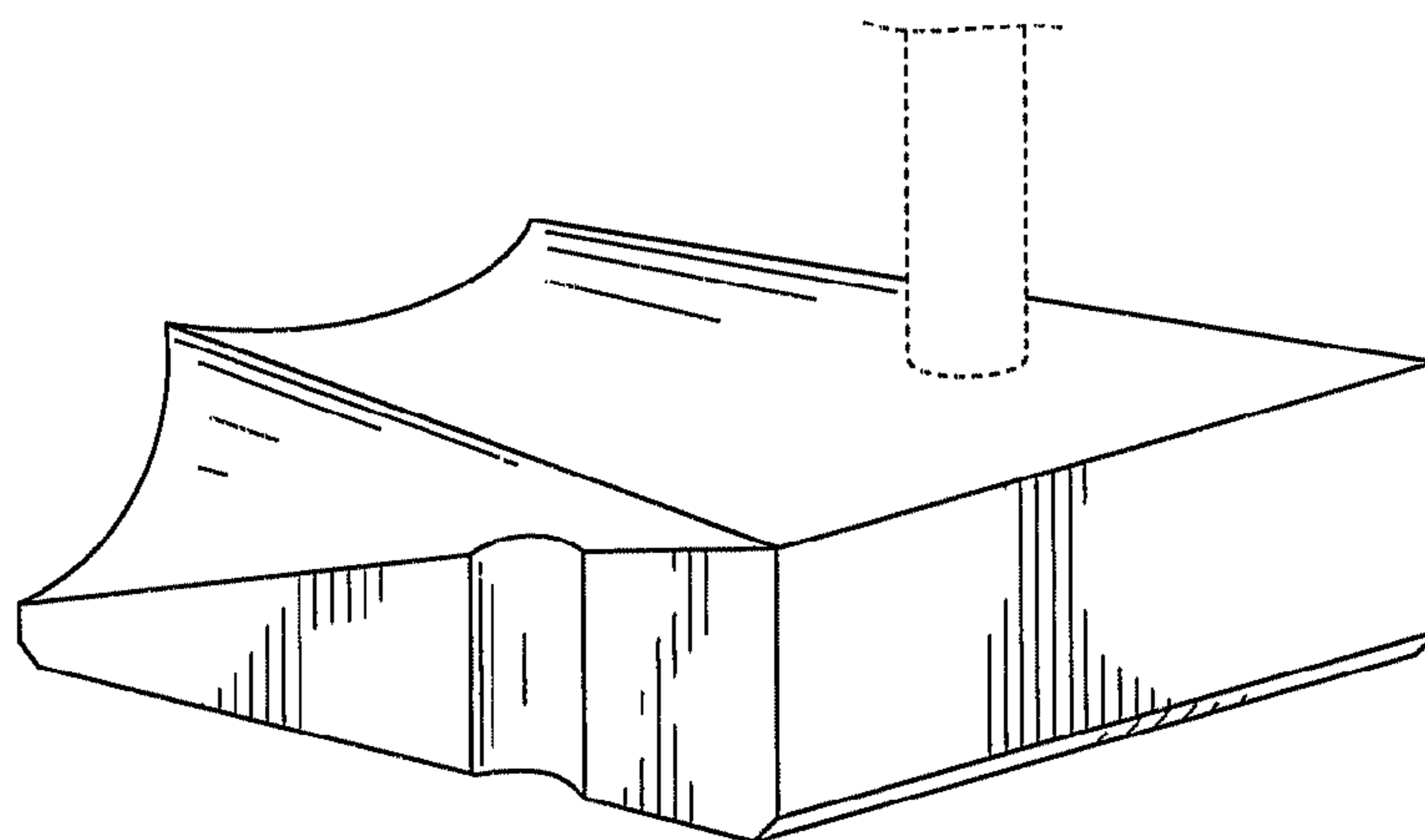
D458,657 S 6/2002 Shmoldas et al.  
D484,935 S 1/2004 Tang  
D491,991 S \* 6/2004 Friebus ..... D21/738  
D503,447 S \* 3/2005 Toroussian ..... D21/736

D520,089 S \* 5/2006 Garcia ..... D21/744  
D521,088 S \* 5/2006 Mercier ..... D21/736  
7,169,058 B1 \* 1/2007 Fagan ..... 473/330  
7,905,794 B2 \* 3/2011 Ross ..... 473/250  
D636,828 S \* 4/2011 Ross ..... D21/736  
D666,260 S \* 8/2012 Cynn ..... D21/742

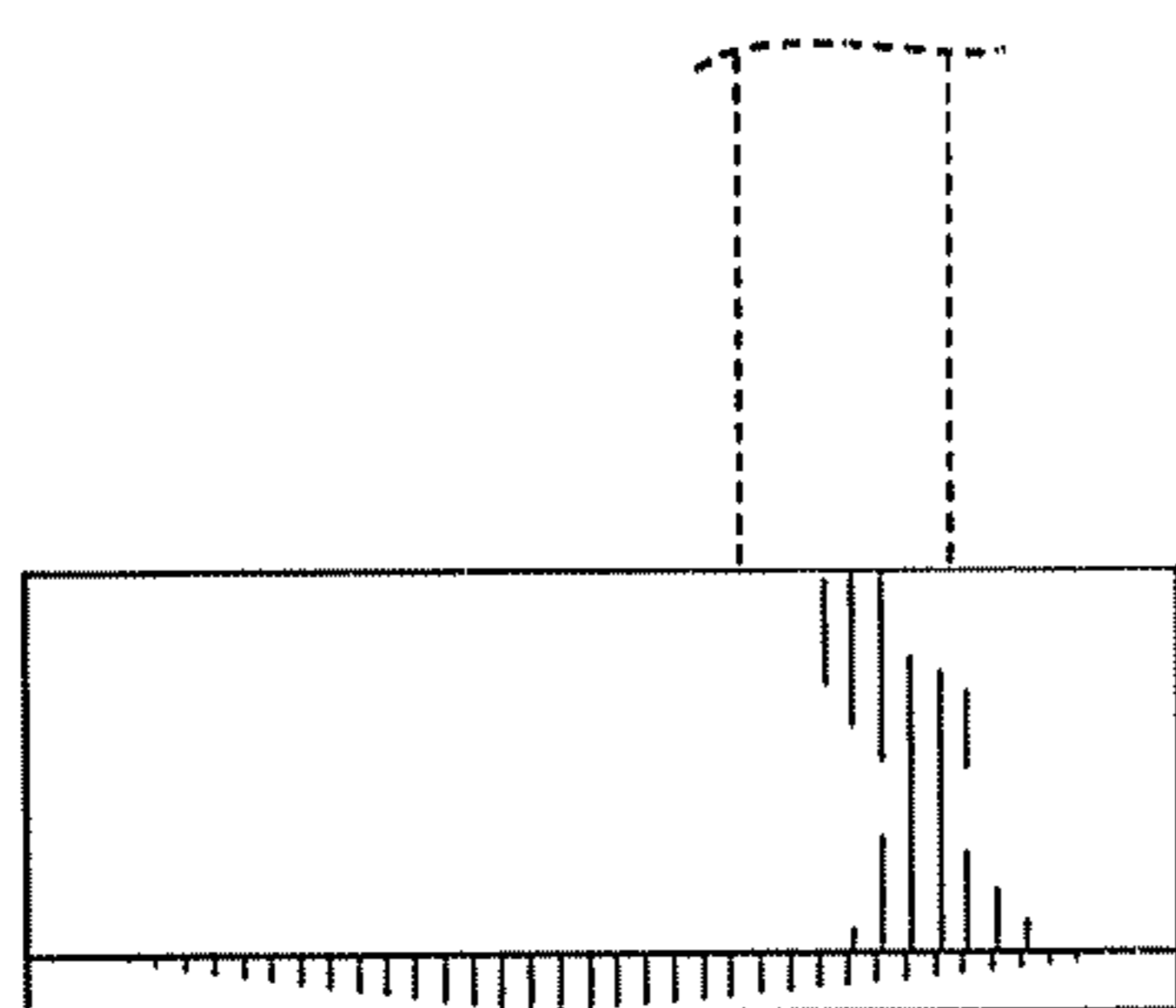
\* cited by examiner



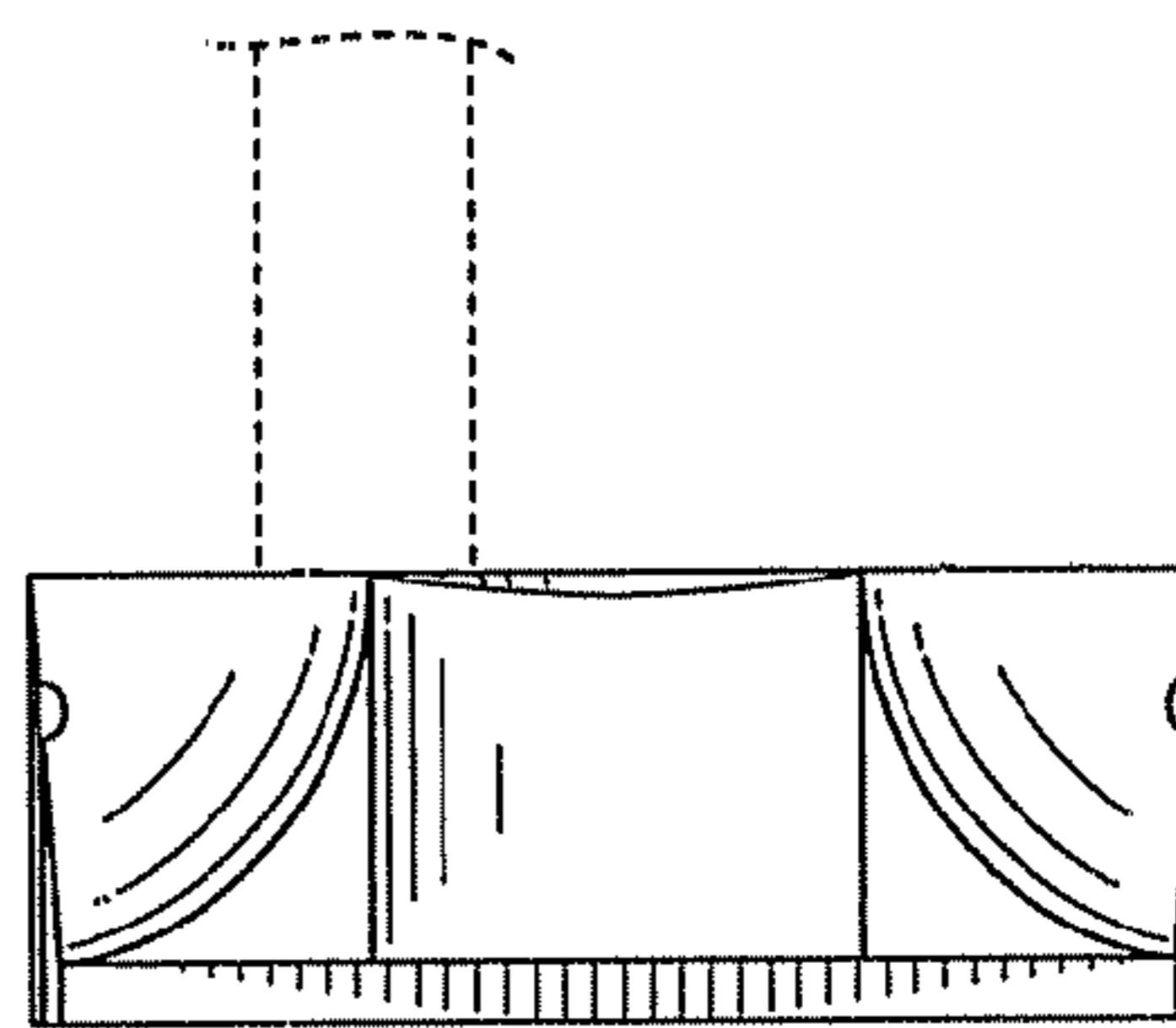
**FIG. 1**



**FIG. 2**



**FIG. 3**



**FIG. 4**

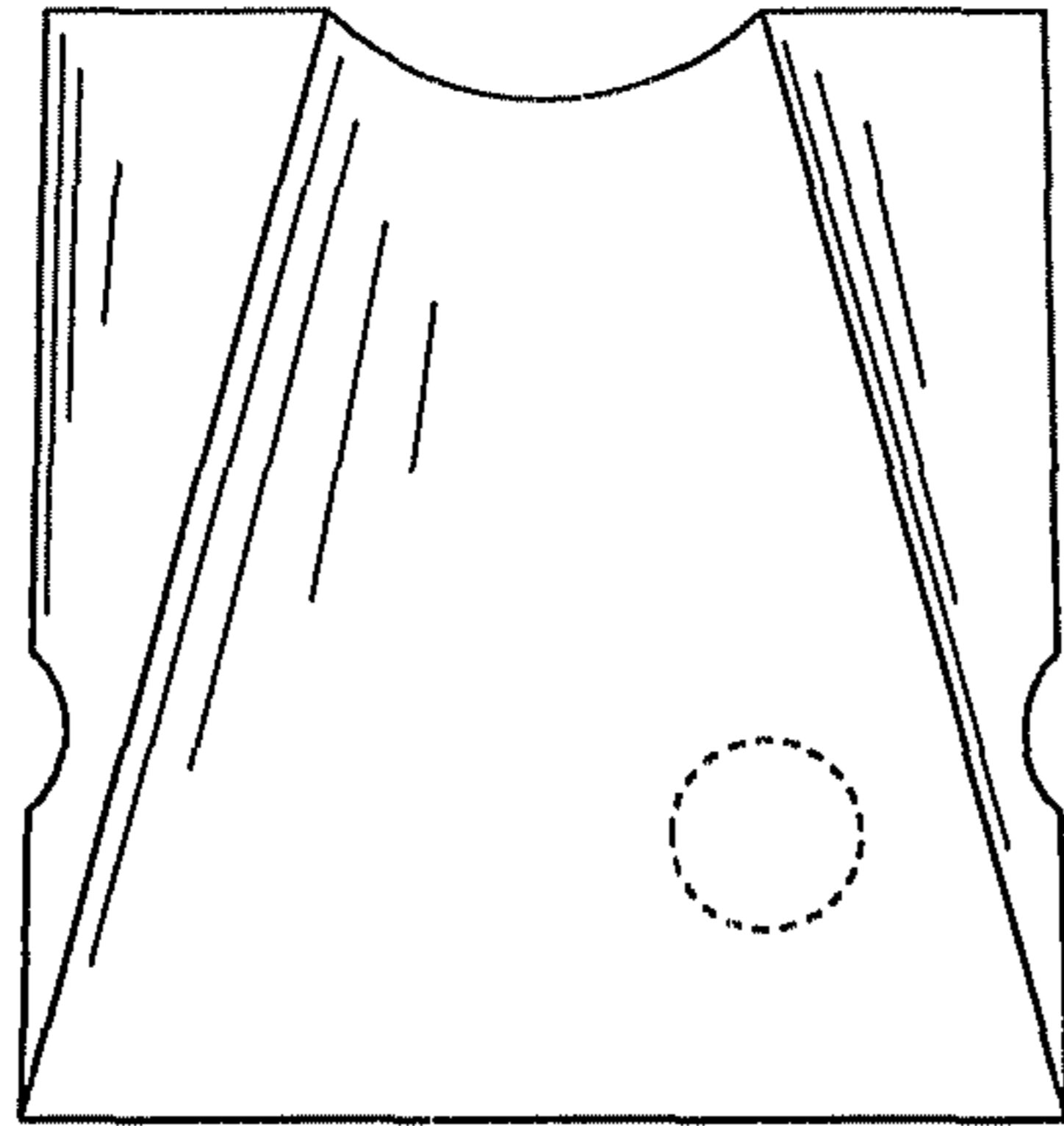


FIG. 5

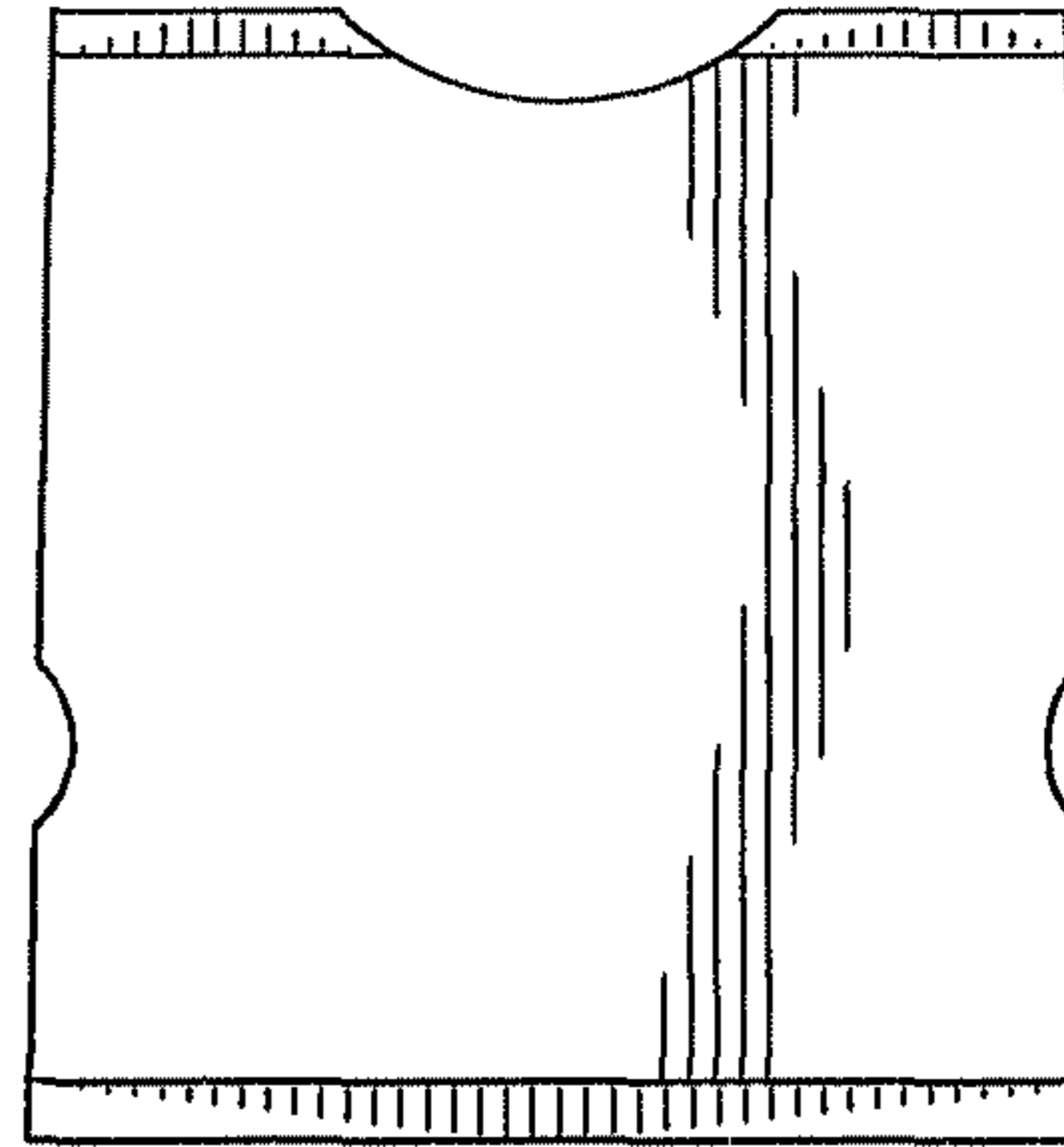


FIG. 6

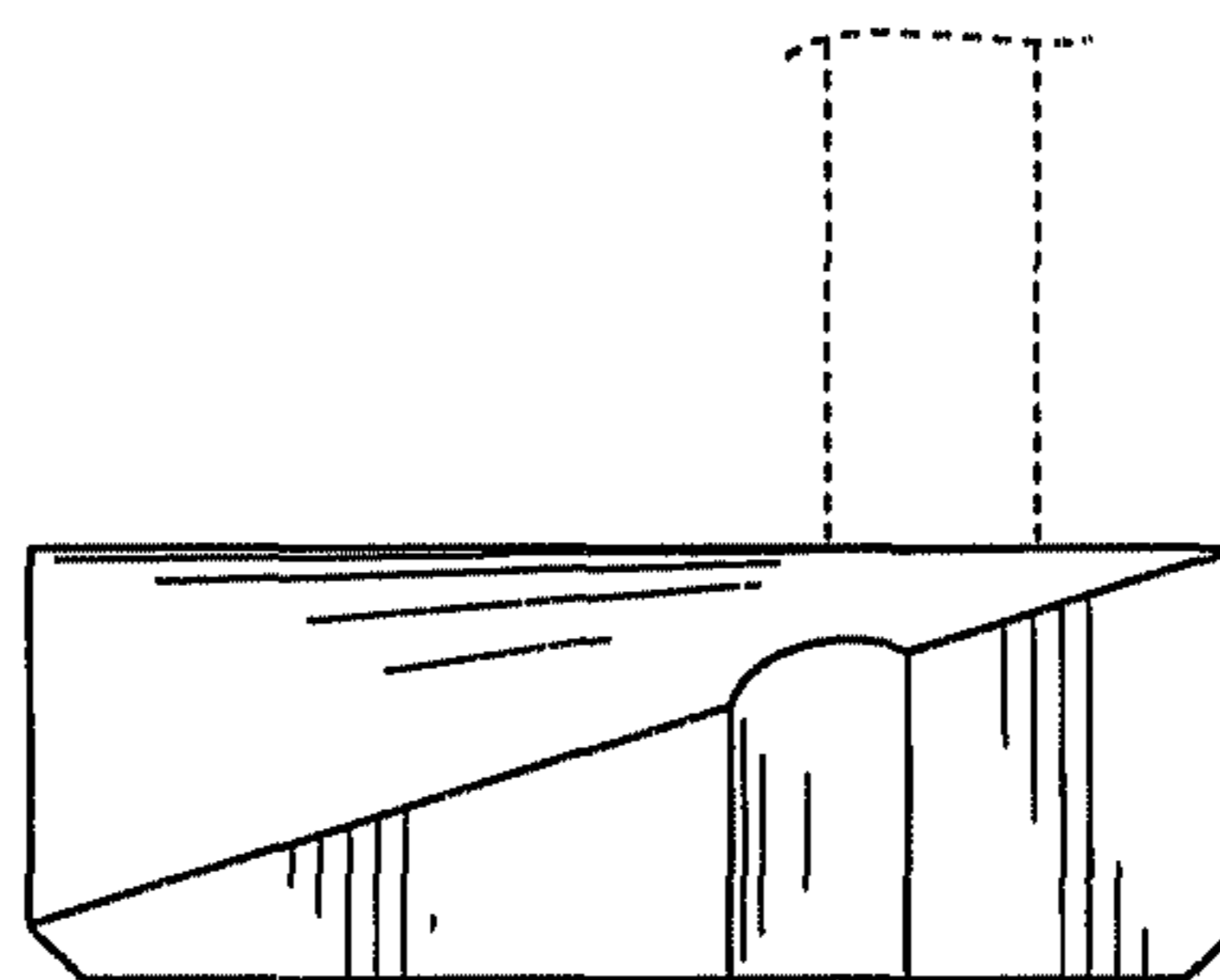


FIG. 7

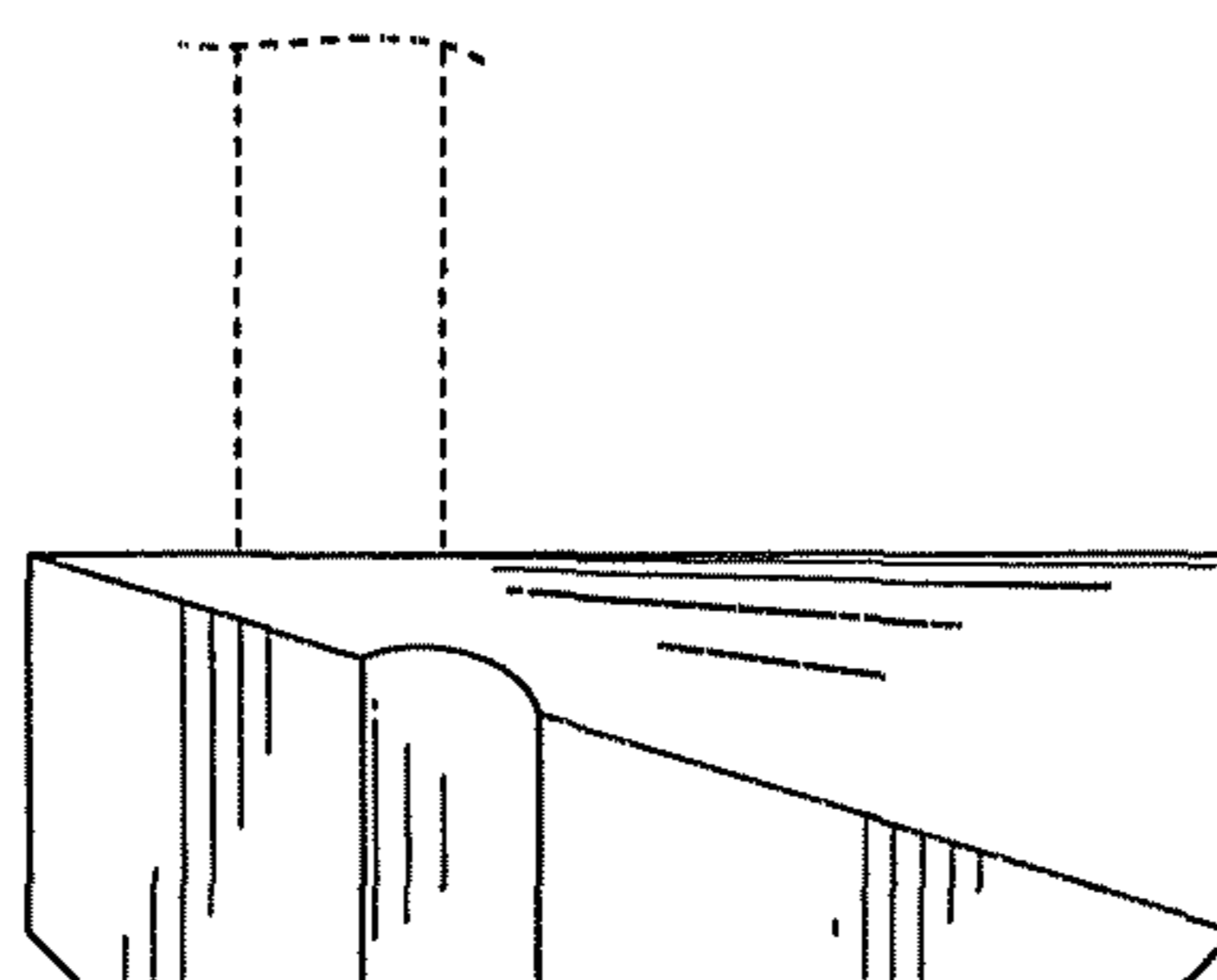


FIG. 8