



US00D707311S

(12) **United States Design Patent**
Giunta et al.

(10) **Patent No.:** **US D707,311 S**
(45) **Date of Patent:** **** Jun. 17, 2014**

(54) **EXERCISE APPARATUS**

(75) Inventors: **Thierry Christian Giunta**, London (GB); **Alexander Lawrence Fowler**, Wokingham (GB); **Jonathan Lloyd Blayney**, London (GB)

(73) Assignee: **Beamblock Limited**, London (GB)

(**) Term: **14 Years**

(21) Appl. No.: **29/430,944**

(22) Filed: **Aug. 31, 2012**

(30) **Foreign Application Priority Data**

Apr. 17, 2012 (EM) 002027912-0001

(51) **LOC (10) Cl.** **21-02**

(52) **U.S. Cl.**
USPC **D21/671**

(58) **Field of Classification Search**
USPC D21/662, 670, 671, 686, 694, 504;
482/51, 52, 140, 35; D25/35
See application file for complete search history.

(56) **References Cited**

U.S. PATENT DOCUMENTS

4,987,625 A * 1/1991 Edelson 5/657
5,507,708 A 4/1996 Ma

5,512,026 A * 4/1996 Wilkinson 482/52
5,540,638 A * 7/1996 Wilkinson 482/52
5,558,603 A * 9/1996 Simon 482/52
5,584,779 A 12/1996 Knecht et al.
6,063,007 A * 5/2000 Sithole 482/52
6,926,643 B1 * 8/2005 Gvoich 482/52

FOREIGN PATENT DOCUMENTS

WO WO 03/103778 A1 12/2003

* cited by examiner

Primary Examiner — Phillip S Hyder

(74) *Attorney, Agent, or Firm* — Sterne, Kessler, Goldstein & Fox P.L.L.C.

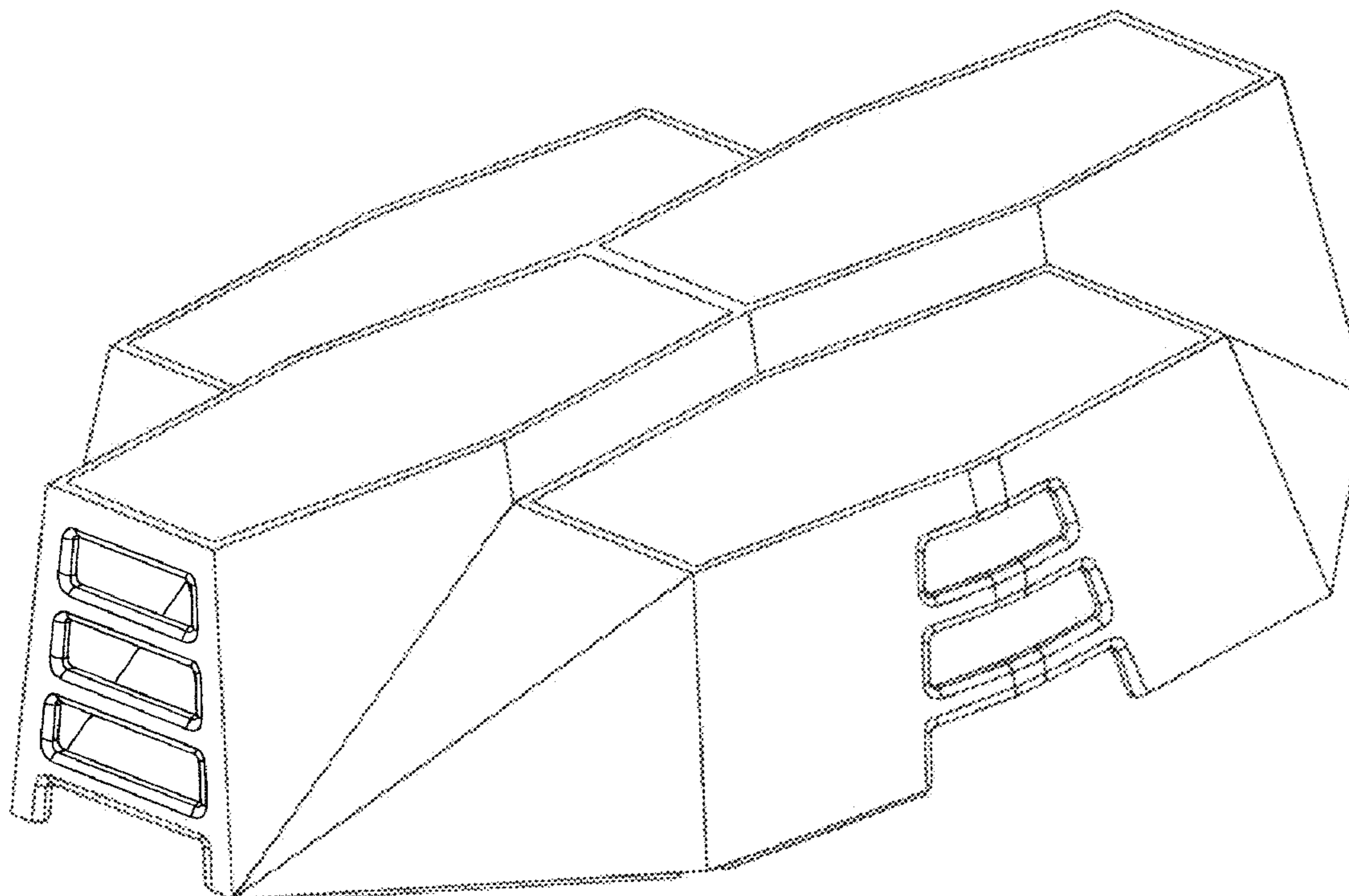
(57) **CLAIM**

The ornamental design for an exercise apparatus, as shown and described.

DESCRIPTION

FIG. 1 is a front perspective view of an exercise apparatus showing our new design;
FIG. 2 is a top view thereof;
FIG. 3 is a front view thereof, the rear view being a mirror image thereof;
FIG. 4 is a left side view thereof;
FIG. 5 is a right side view thereof;
FIG. 6 is a bottom rear perspective view thereof; and,
FIG. 7 is bottom view thereof.

1 Claim, 7 Drawing Sheets



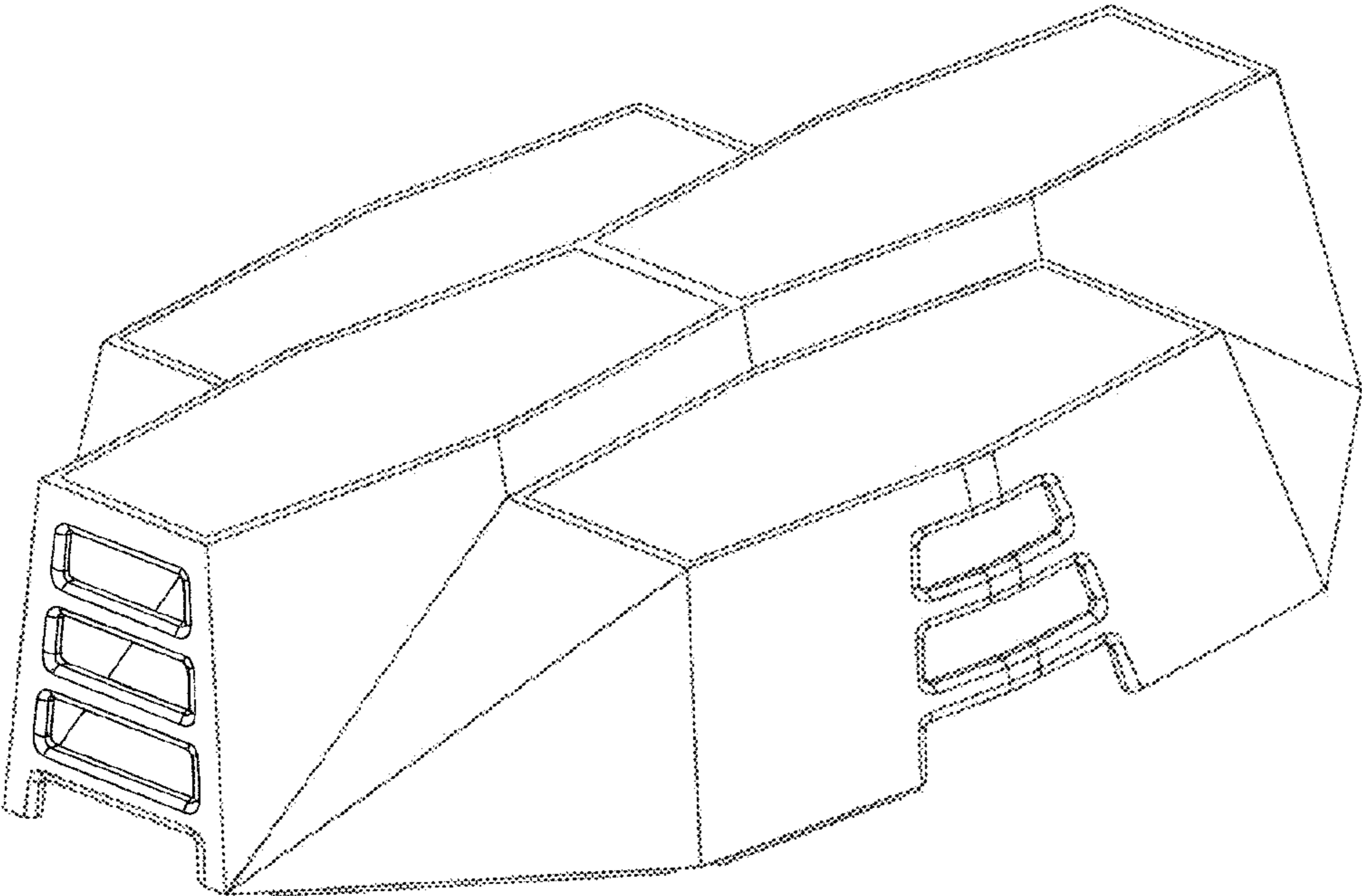


FIG. 1

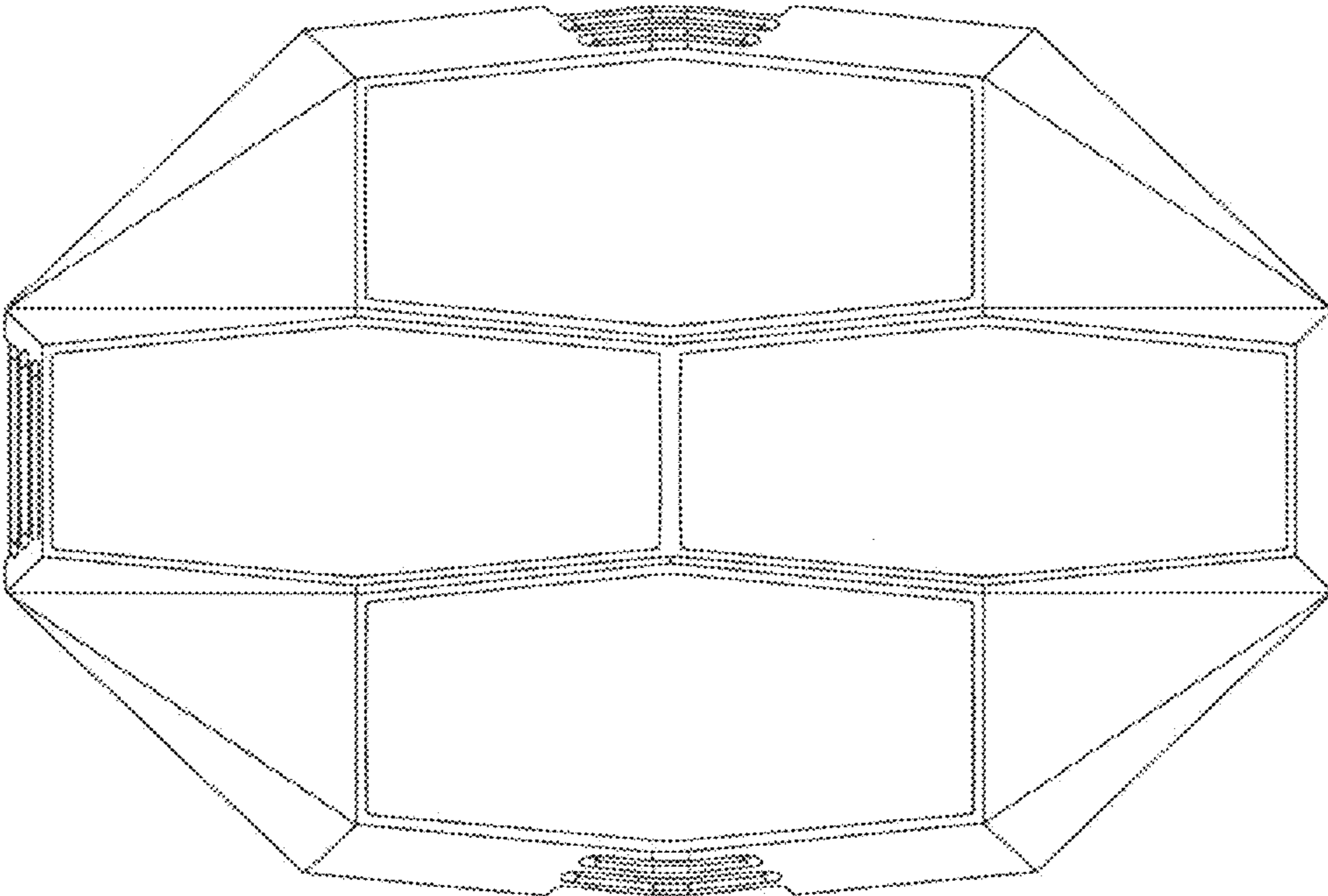


FIG. 2

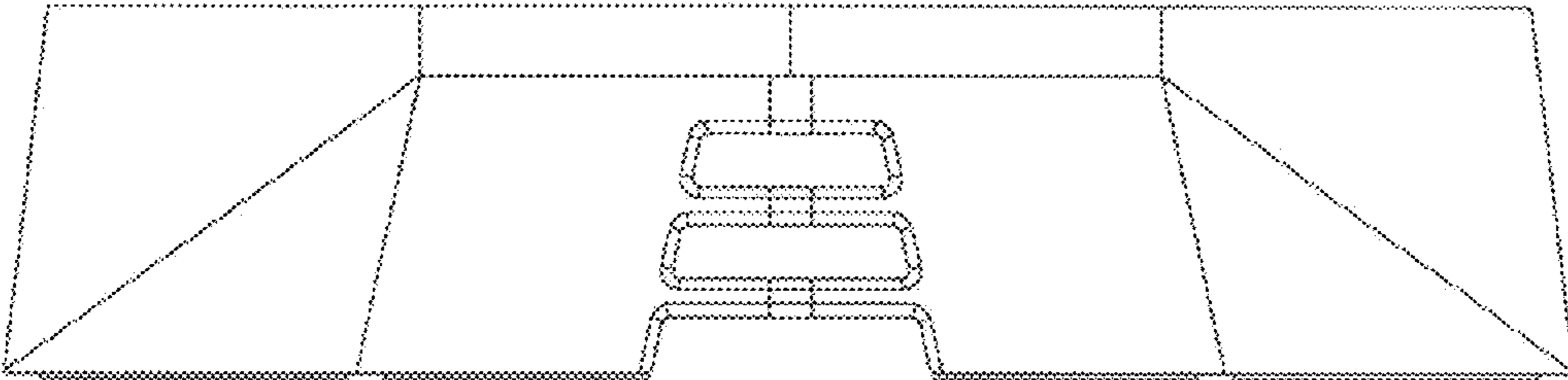


FIG. 3

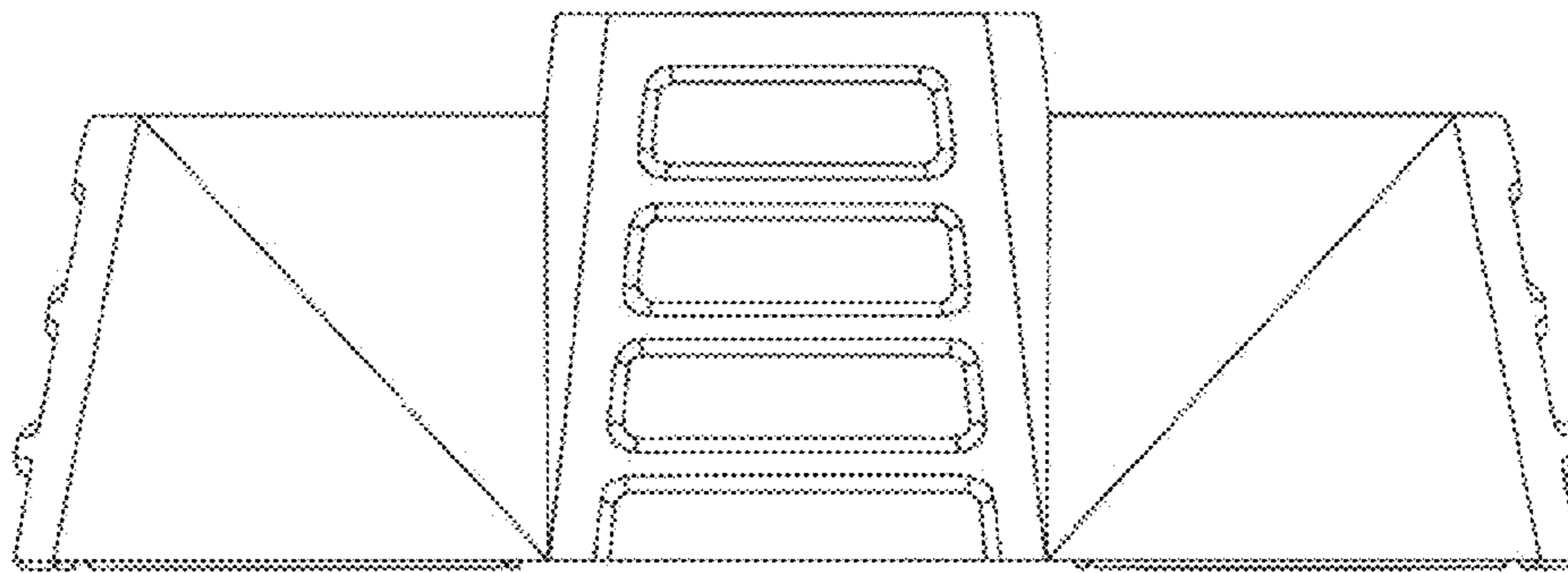


FIG. 4

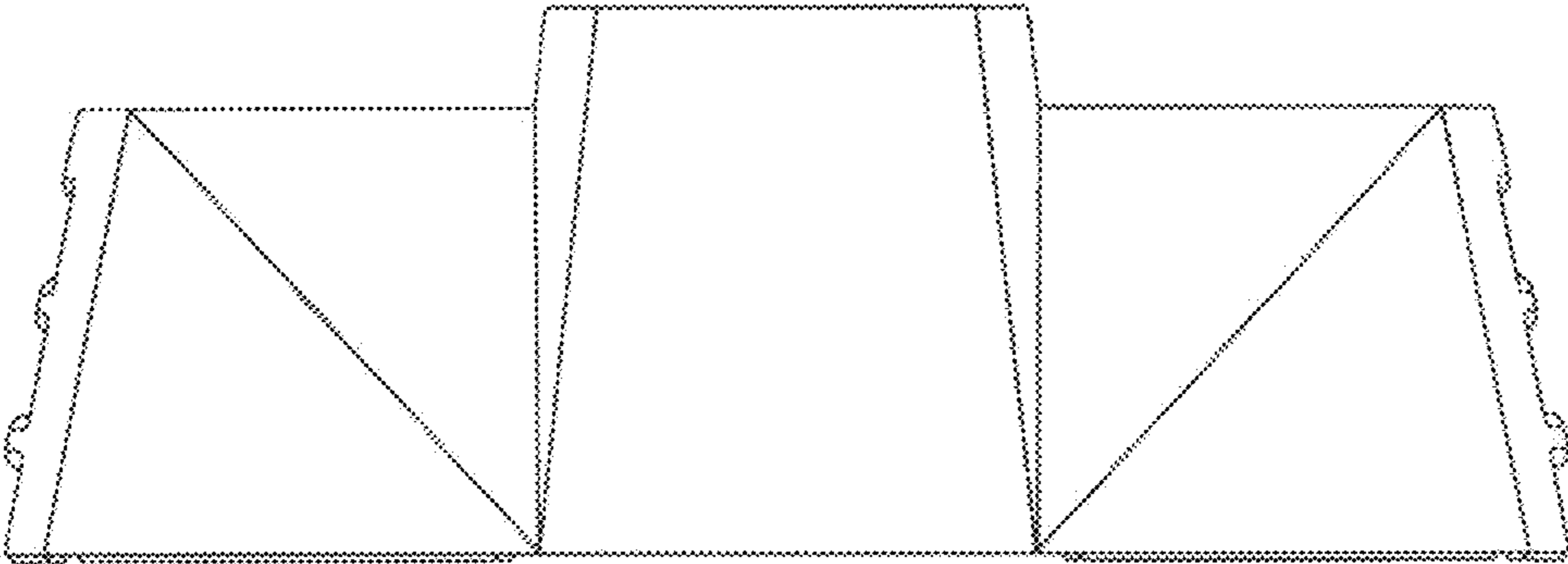


FIG. 5

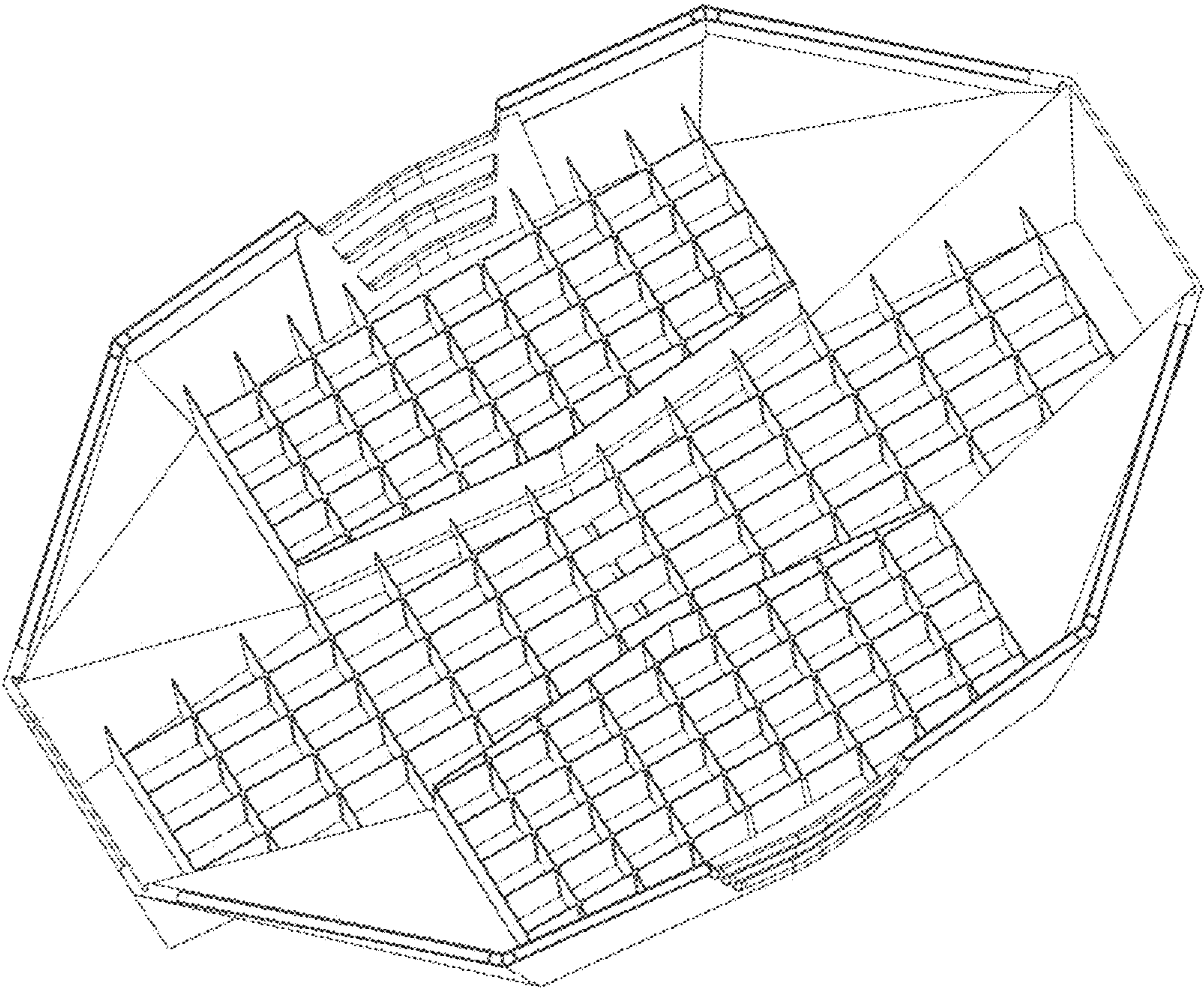


FIG. 6

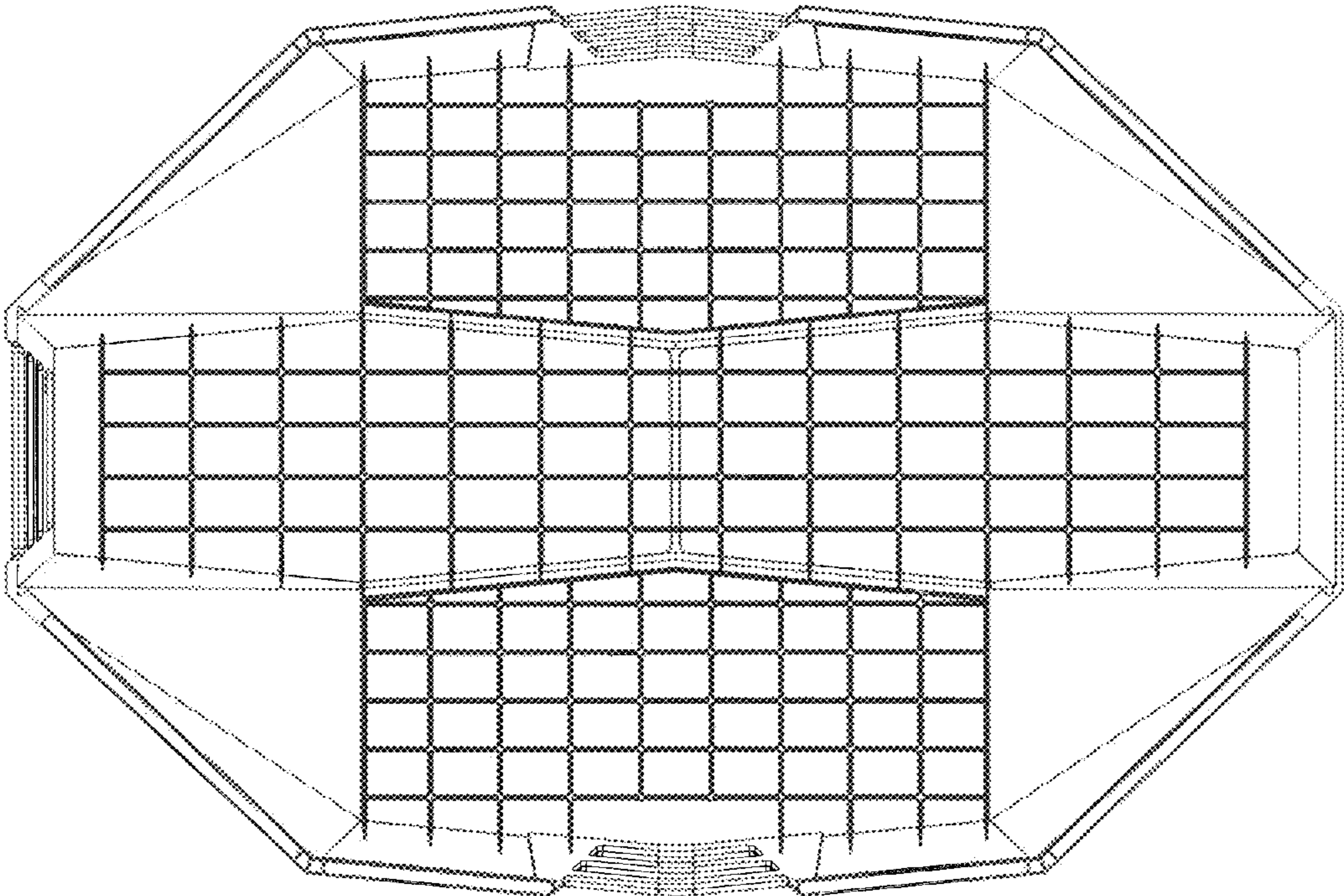


FIG. 7