



US00D707307S

(12) **United States Design Patent**
Roehrig et al.

(10) **Patent No.:** **US D707,307 S**
(45) **Date of Patent:** **** Jun. 17, 2014**

(54) **CHILDREN'S CUTLERY**

(56) **References Cited**

(71) Applicant: **MAM Babyartikel Gesellschaft**
m.b.H., Vienna (AT)
(72) Inventors: **Peter Roehrig, Vienna (AT); Christoph**
Pauschitz, Vienna (AT)
(73) Assignee: **MAM Baby Artikel Gesellschaft**
m.b.H., Vienna (AT)
(**) Term: **14 Years**
(21) Appl. No.: **29/460,866**
(22) Filed: **Jul. 16, 2013**

U.S. PATENT DOCUMENTS

D291,710 S *	9/1987	Mariol	D21/483
D339,036 S *	9/1993	McDaniel	D7/653
D349,770 S *	8/1994	Jarnagin	D24/198
5,890,223 A *	4/1999	Klemmer	30/150
6,134,790 A *	10/2000	Watson	30/326
D461,997 S *	8/2002	Jalet	D7/645
D476,862 S *	7/2003	Jagger	D7/645
D491,420 S *	6/2004	Shibata et al.	D7/653
D496,833 S *	10/2004	Lantz	D7/653
D615,367 S *	5/2010	Sierra et al.	D7/653
D621,229 S *	8/2010	De Bretton Gordon	D7/645

* cited by examiner

Primary Examiner — Cathron Brooks
Assistant Examiner — Sydney R Buffalow
(74) *Attorney, Agent, or Firm* — Abelman, Frayne & Schwab

Related U.S. Application Data

(62) Division of application No. 29/441,715, filed on Jan. 9, 2013.

(57) **CLAIM**

The ornamental design for children's cutlery, as shown and described.

DESCRIPTION

(30) **Foreign Application Priority Data**

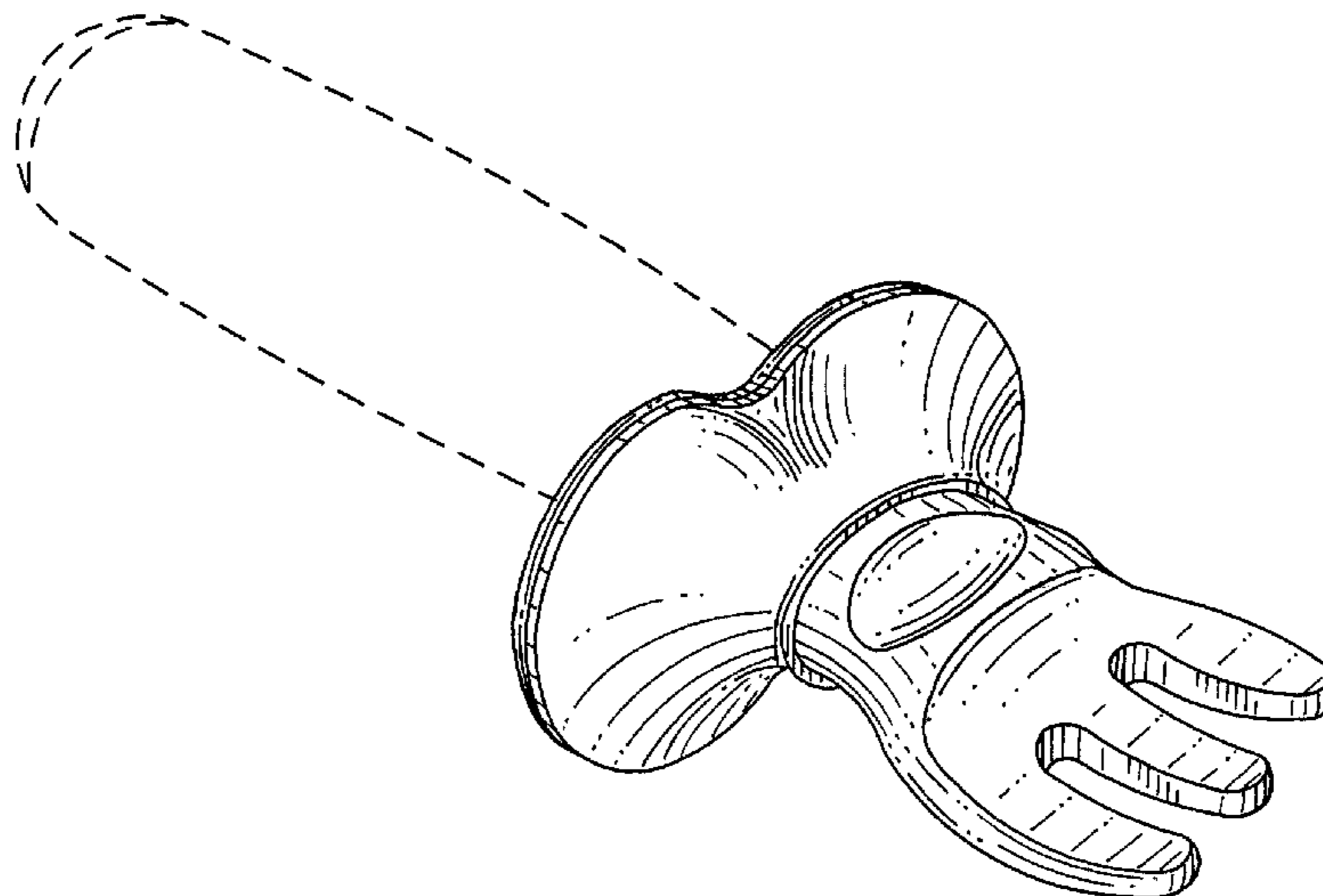
Jul. 10, 2012 (EM) 002071084-0001
Jul. 10, 2012 (EM) 002071084-0002

(51) **LOC (10) Cl.** **21-01**
(52) **U.S. Cl.**
USPC **D21/525**

(58) **Field of Classification Search**
USPC D21/532, 483; D7/653, 645, 662-664,
D7/401.2; 30/142, 147-150, 322, 324
See application file for complete search history.

FIG. 1 is a top, front and left side perspective view of children's cutlery showing the new design;
FIG. 2 is a top plan thereof;
FIG. 3 is a front elevation thereof;
FIG. 4 is a right side elevation thereof, the left side elevation being a mirror image thereof;
FIG. 5 is a rear elevation thereof; and,
FIG. 6 is a bottom plan thereof.
The broken lines illustrate portions of the children's cutlery and form no part of the claimed design.

1 Claim, 3 Drawing Sheets



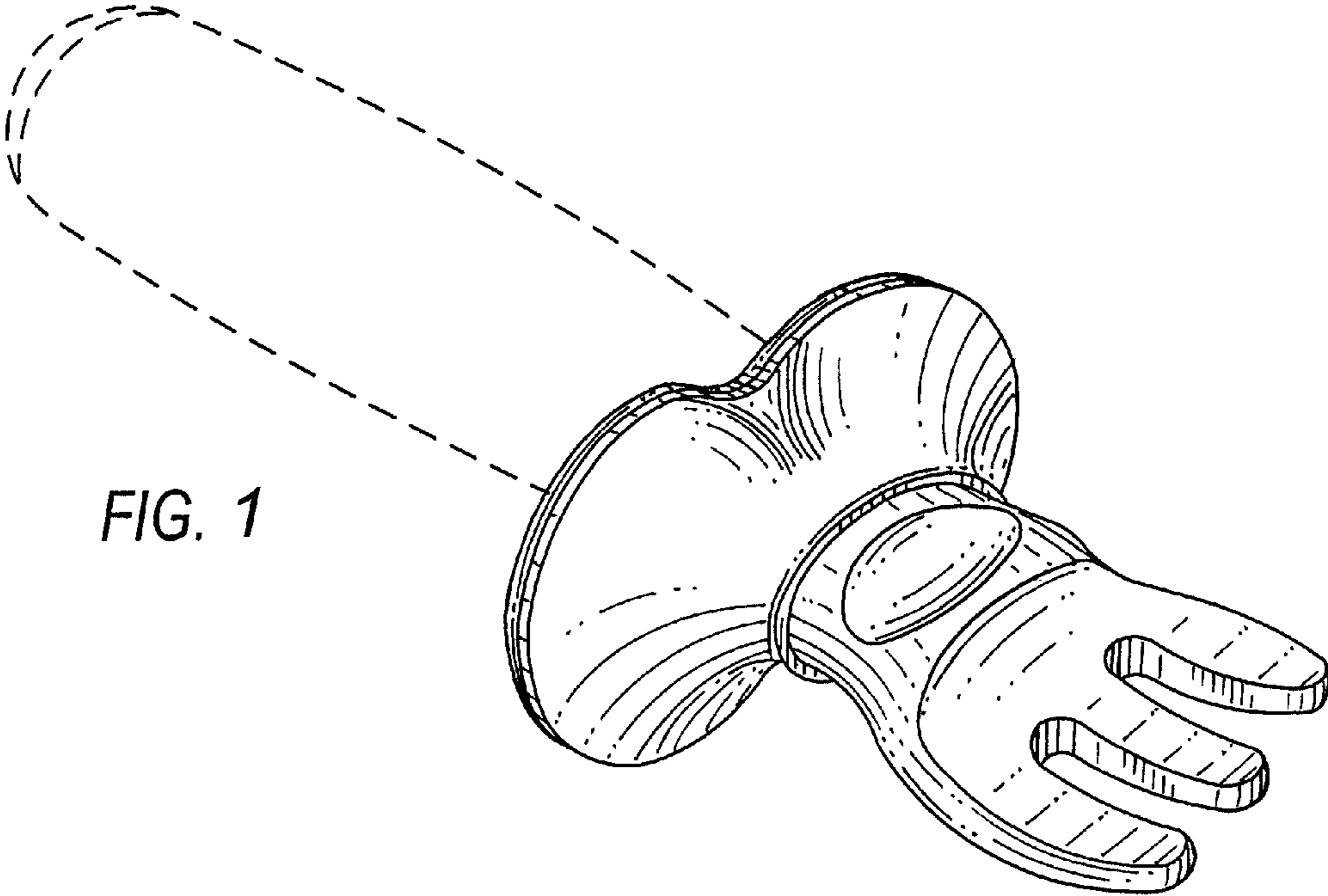


FIG. 1

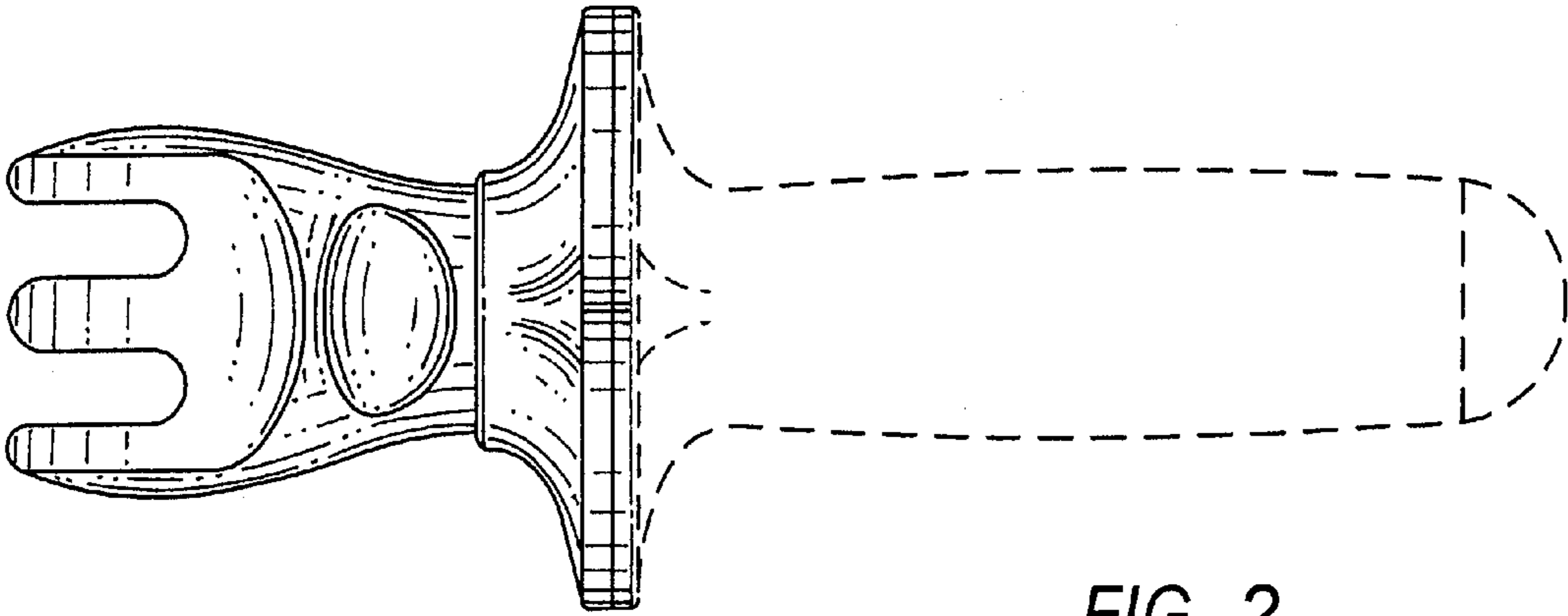


FIG. 2

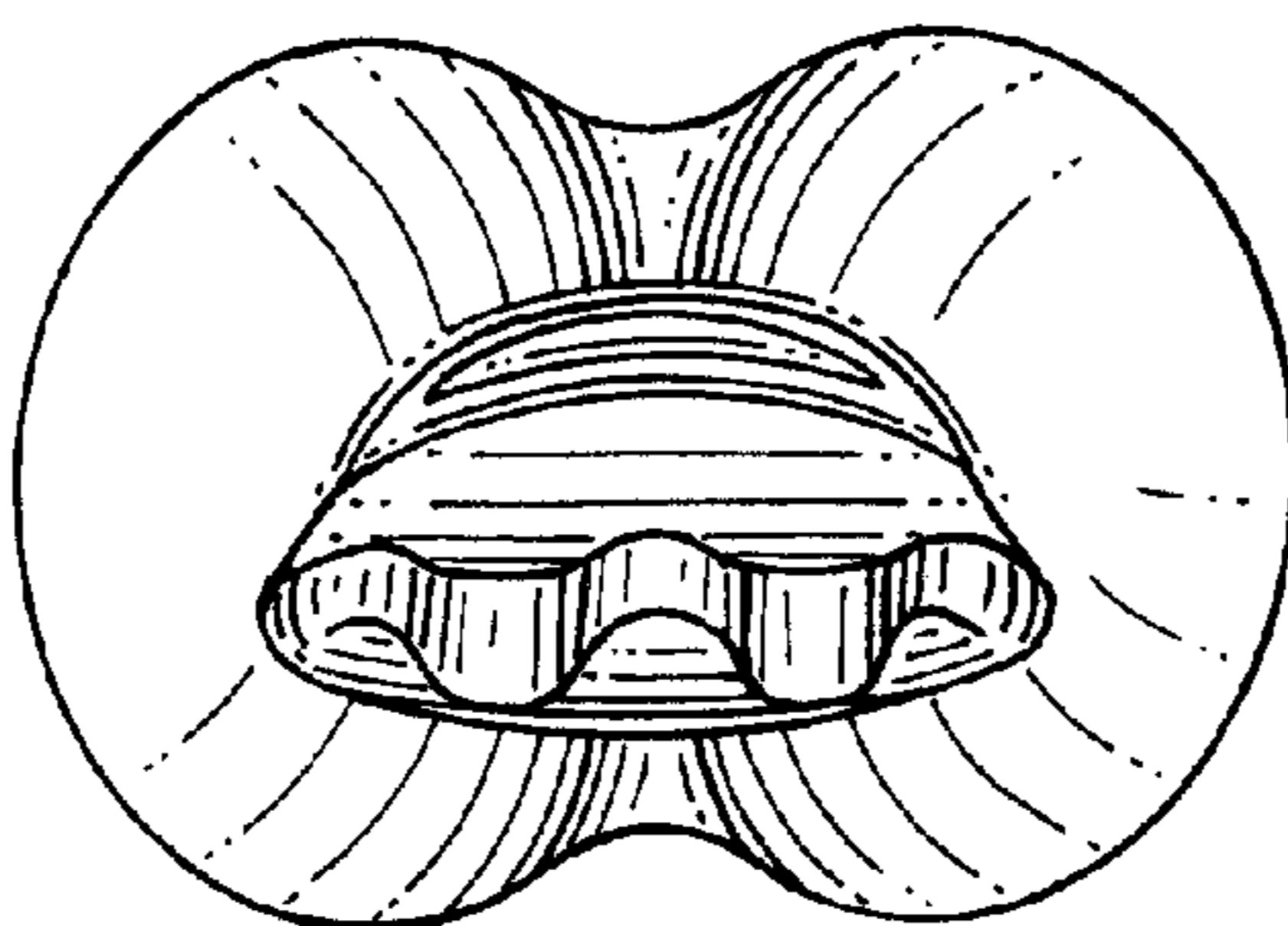


FIG. 3

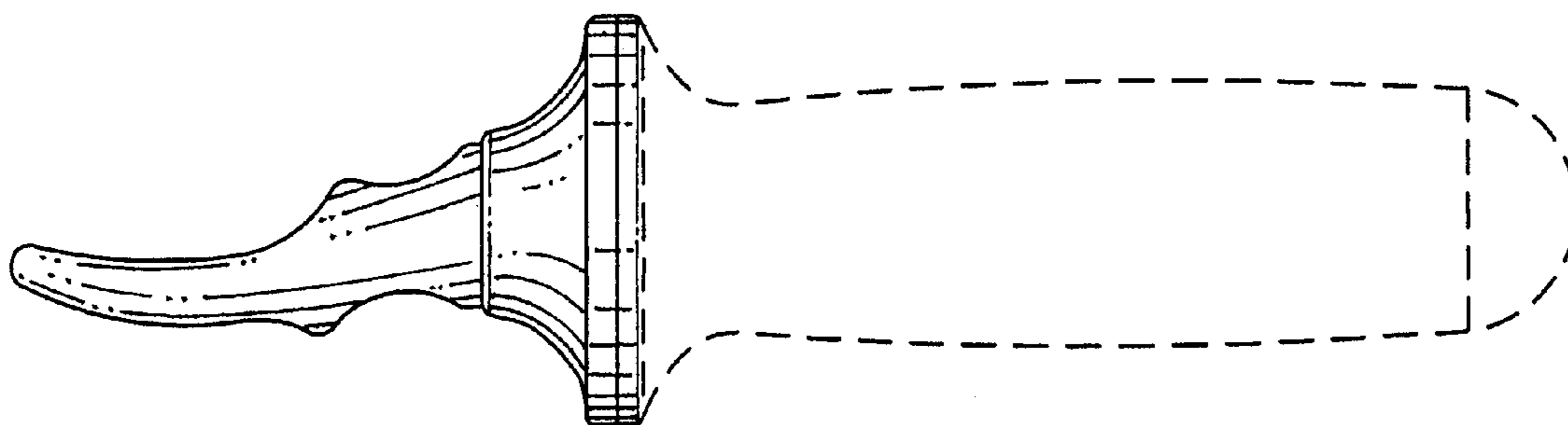


FIG. 4

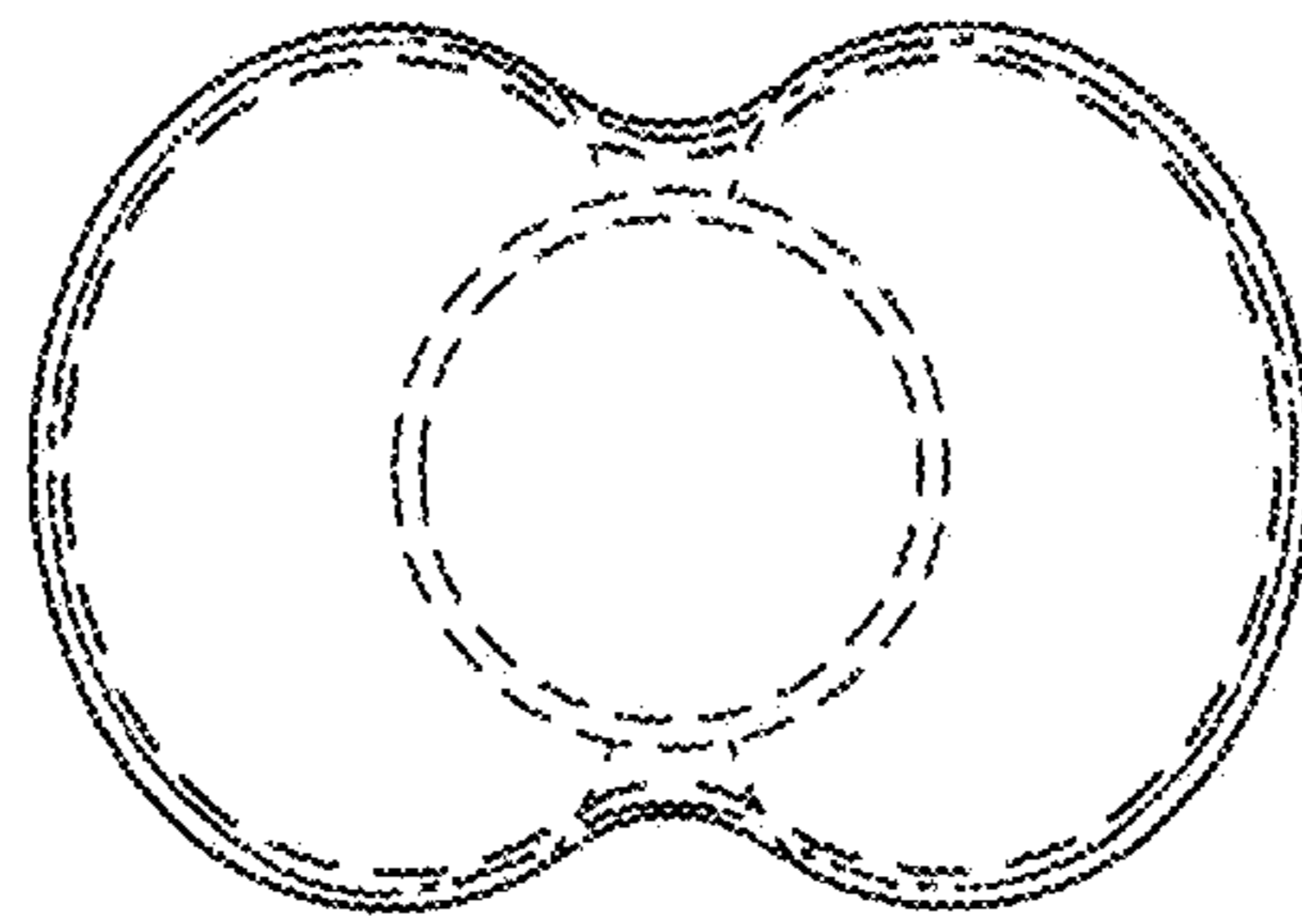


FIG. 5

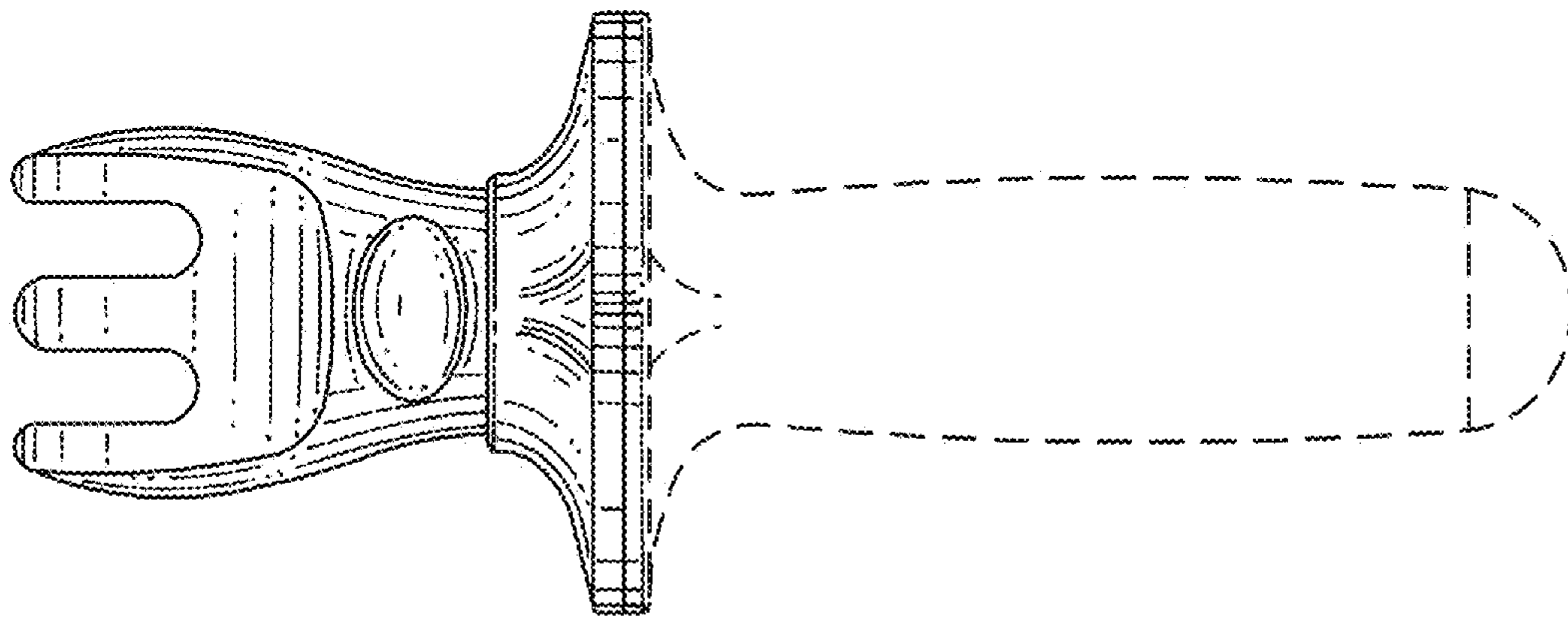


FIG. 6