



US00D707305S

(12) **United States Design Patent**
Norman et al.

(10) **Patent No.:** **US D707,305 S**
(45) **Date of Patent:** **** Jun. 17, 2014**

(54) **CORNER CONNECTOR COMPONENT FOR A CONSTRUCTION KIT**

(71) Applicant: **Innovation First, Inc.**, Greenville, TX (US)

(72) Inventors: **David Anthony Norman**, Greenville, TX (US); **Robert H. Mimlitch, III**, Rowlett, TX (US); **Paul David Copioli**, Rockwall, TX (US); **Gregory James Lavender**, Rockwall, TX (US); **Aren Calder Hill**, Rockford, IL (US); **Douglas Michael Galletti**, Allen, TX (US); **John Edward Vielkind-Neun**, Rockwall, TX (US); **Arthur Philip Dutra, IV**, Greenville, TX (US)

(73) Assignee: **Innovation First, Inc.**, Greenville, TX (US)

(**) Term: **14 Years**

(21) Appl. No.: **29/451,492**

(22) Filed: **Apr. 3, 2013**

(51) **LOC (10) Cl.** **21-01**

(52) **U.S. Cl.**
USPC **D21/503**

(58) **Field of Classification Search**
USPC D21/49-495, 500-505; D8/354, 382;
446/69, 89, 92, 102-128; 434/259,
434/208, 403; 52/503; 273/153, 156, 160
See application file for complete search history.

(56) **References Cited**

U.S. PATENT DOCUMENTS

D174,951 S * 6/1955 Frishberg D21/503

D311,680 S * 10/1990 Miall D8/382
D355,843 S * 2/1995 Kuwata D8/382
D384,988 S * 10/1997 Schmidt D21/503
D410,044 S * 5/1999 Krog D21/503
D510,753 S * 10/2005 Paterson D21/503
D528,609 S * 9/2006 Kossmann D21/503
D641,055 S * 7/2011 Andersen D21/504
D690,370 S * 9/2013 Macadam D21/502

* cited by examiner

Primary Examiner — Cynthia M Chin

(74) *Attorney, Agent, or Firm* — Adam K. Sacharoff; Much Shelist

(57) **CLAIM**

The ornamental design for a corner connector component for a construction kit, as shown and described.

DESCRIPTION

FIG. 1 is a front-top perspective view of a corner connector component for a construction kit in accordance to our new design;

FIG. 2 is a rear-bottom perspective view of FIG. 1;

FIG. 3 is a top side perspective view of FIG. 1;

FIG. 4 is a bottom side view of FIG. 1;

FIG. 5 is a right side view of FIG. 1;

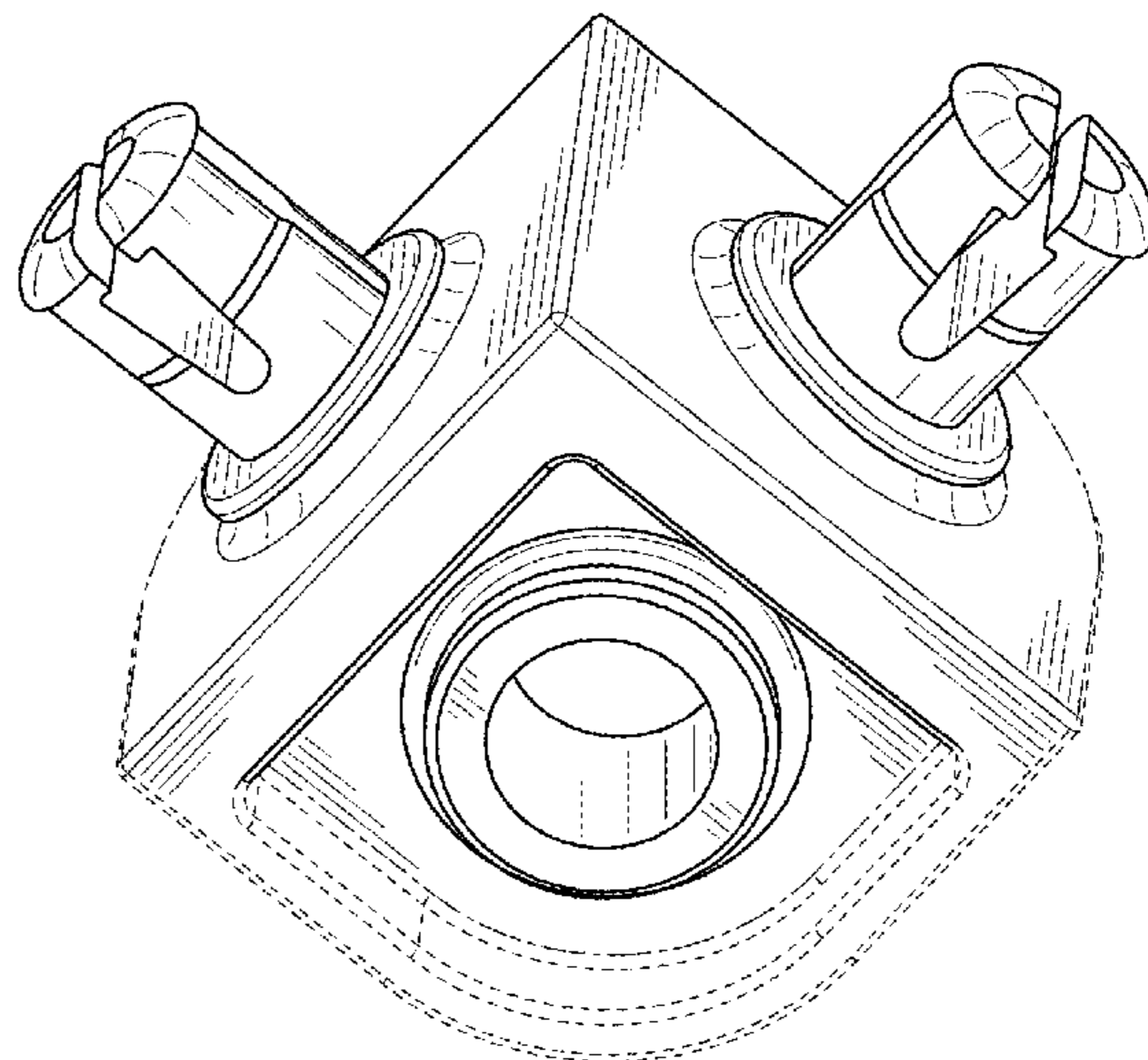
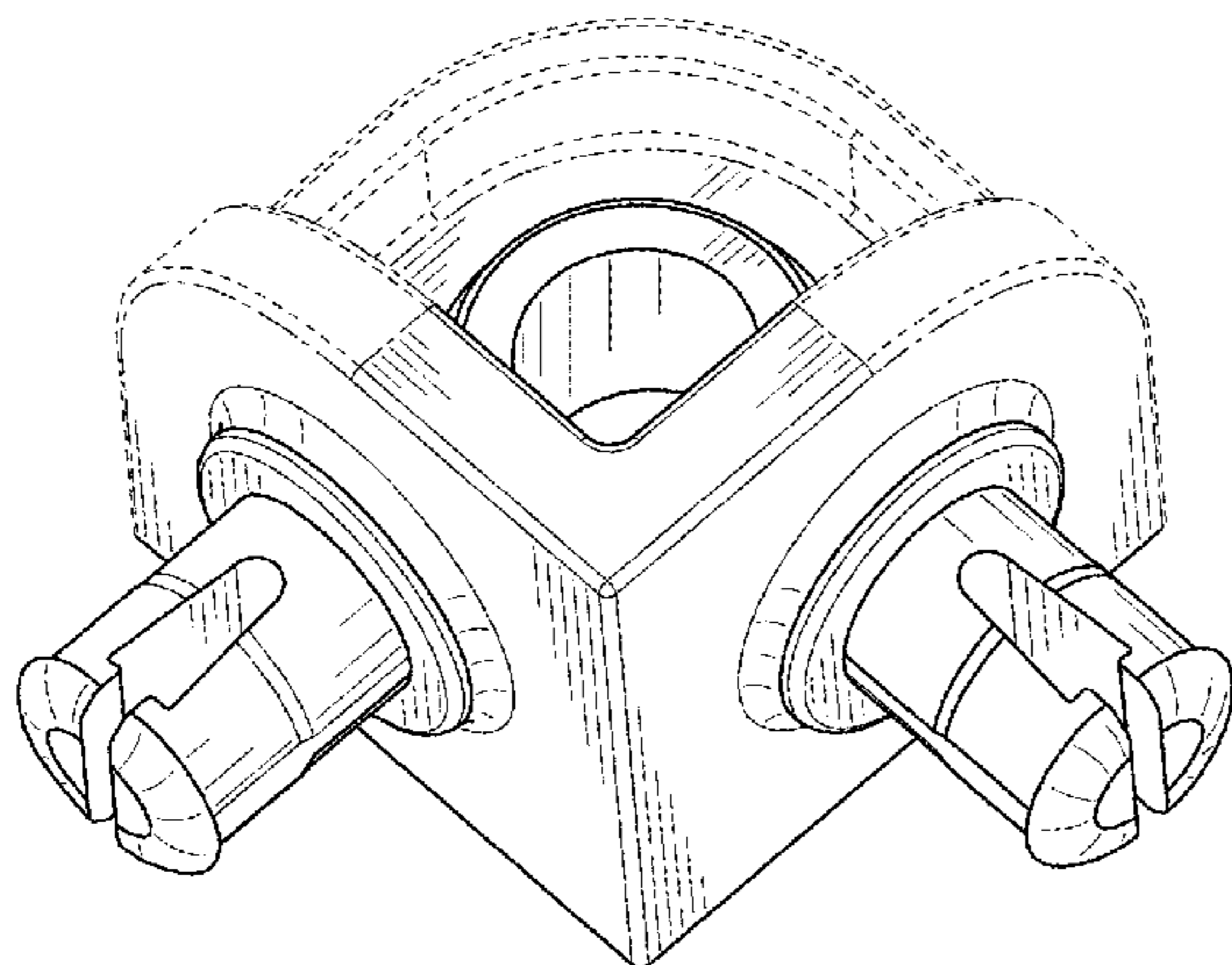
FIG. 6 is a left side view of FIG. 1;

FIG. 7 is a front side view of FIG. 1; and,

FIG. 8 is a rear side view of FIG. 1.

The dash-dot broken lines immediately adjacent the shaded areas represent the bounds of the claim and all other broken lines are for environmental purposes only. None of the broken lines form a part of the claimed design.

1 Claim, 4 Drawing Sheets



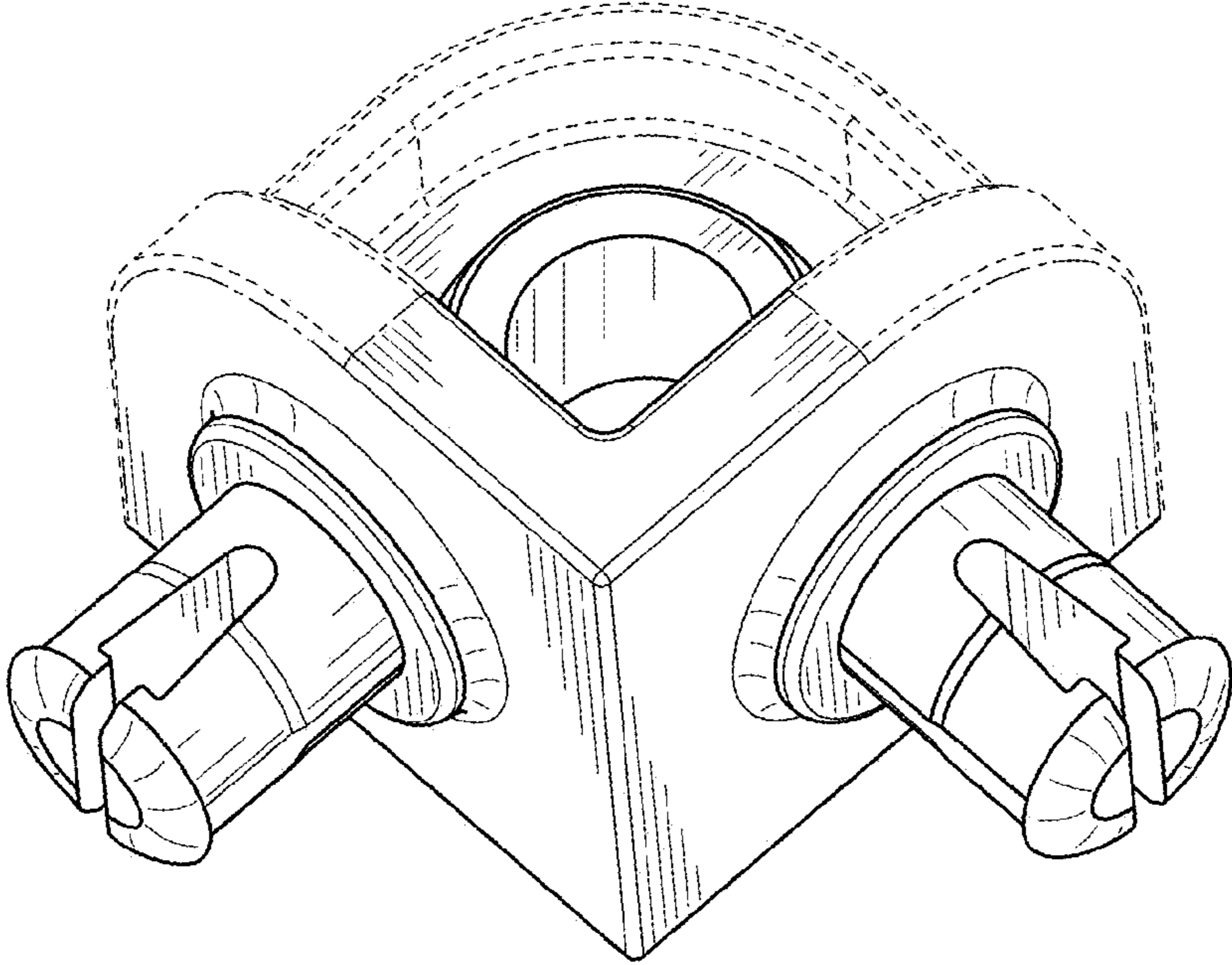


FIG. 1

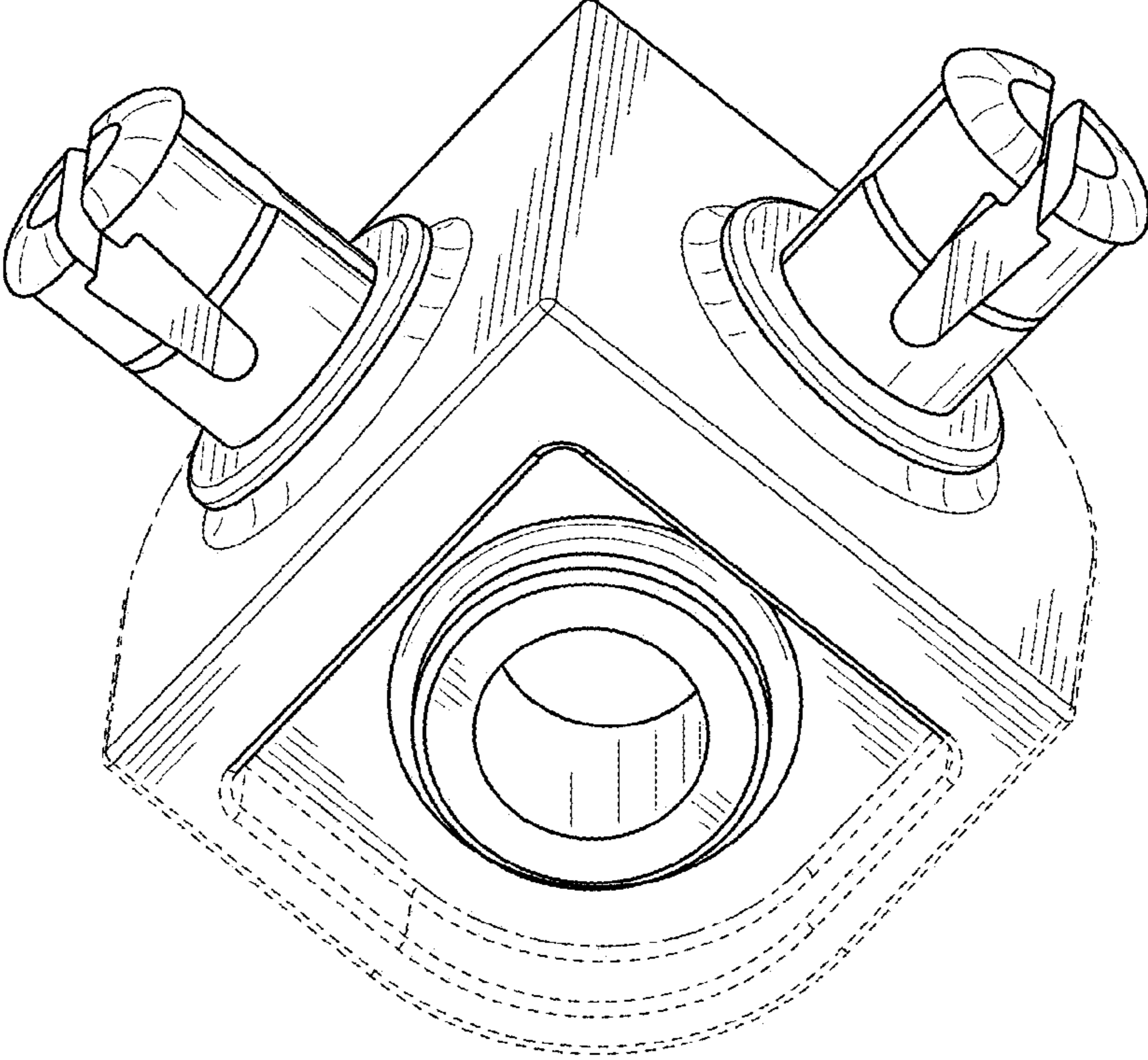


FIG. 2

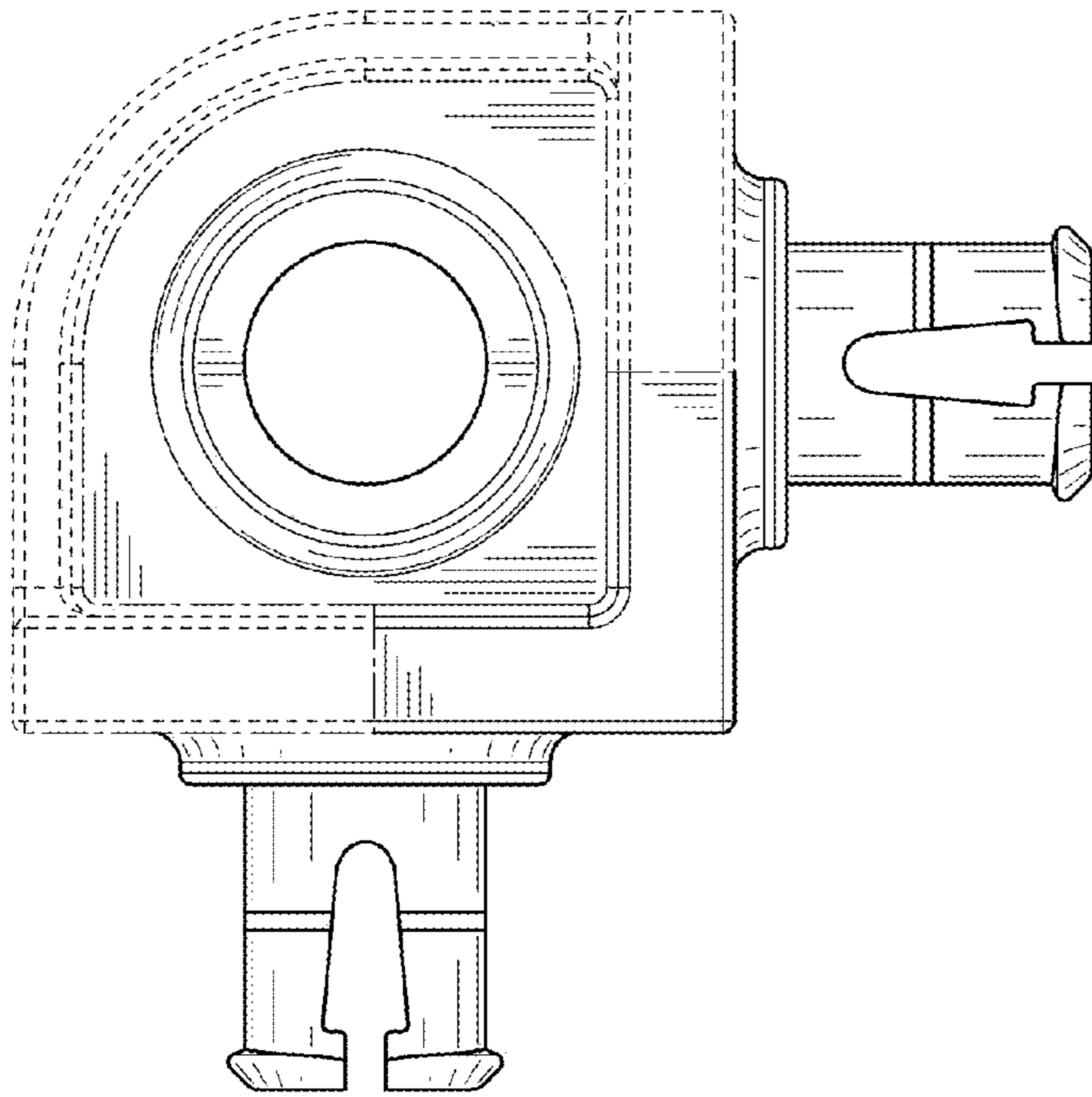


FIG. 3

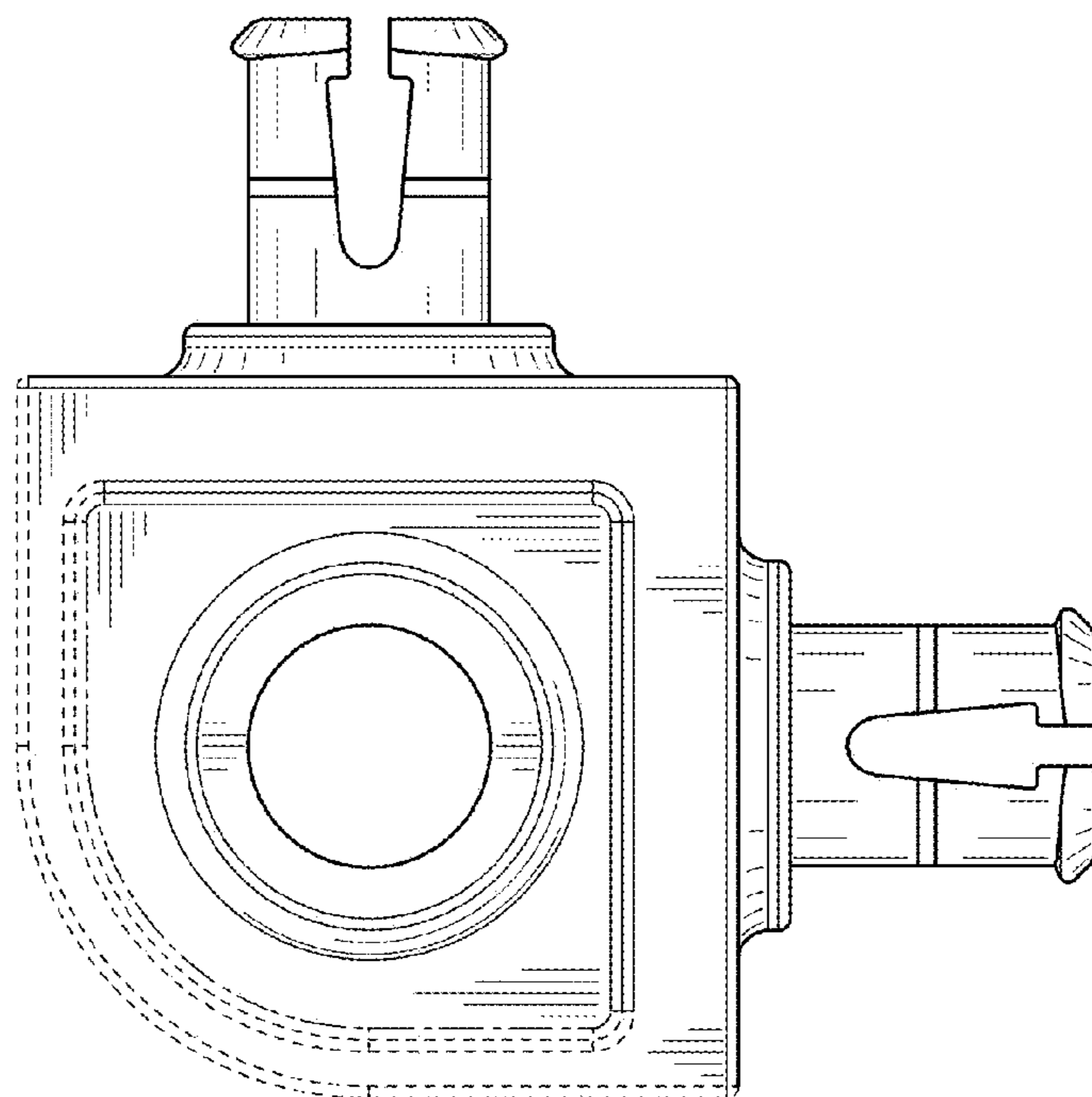


FIG. 4

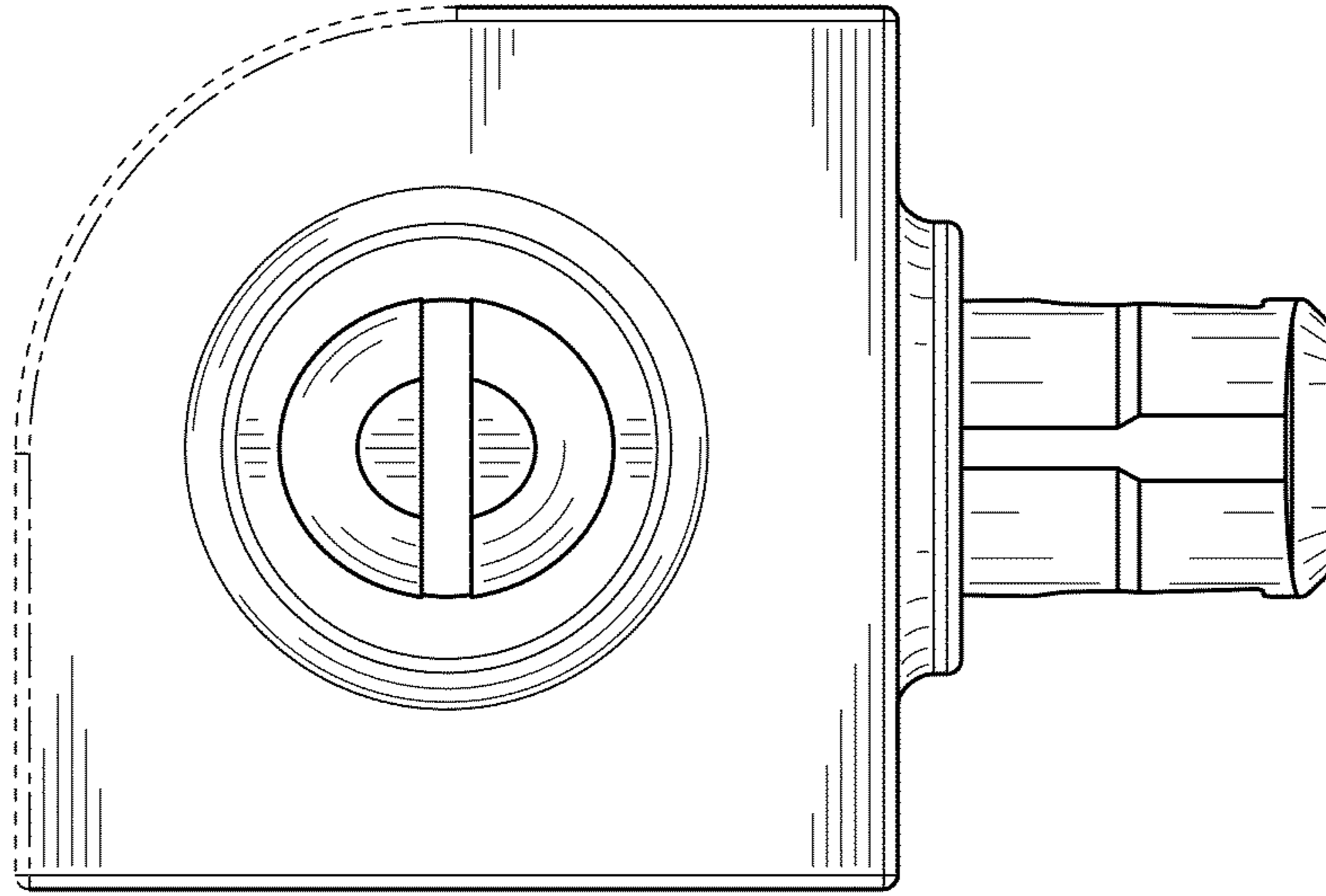


FIG. 5

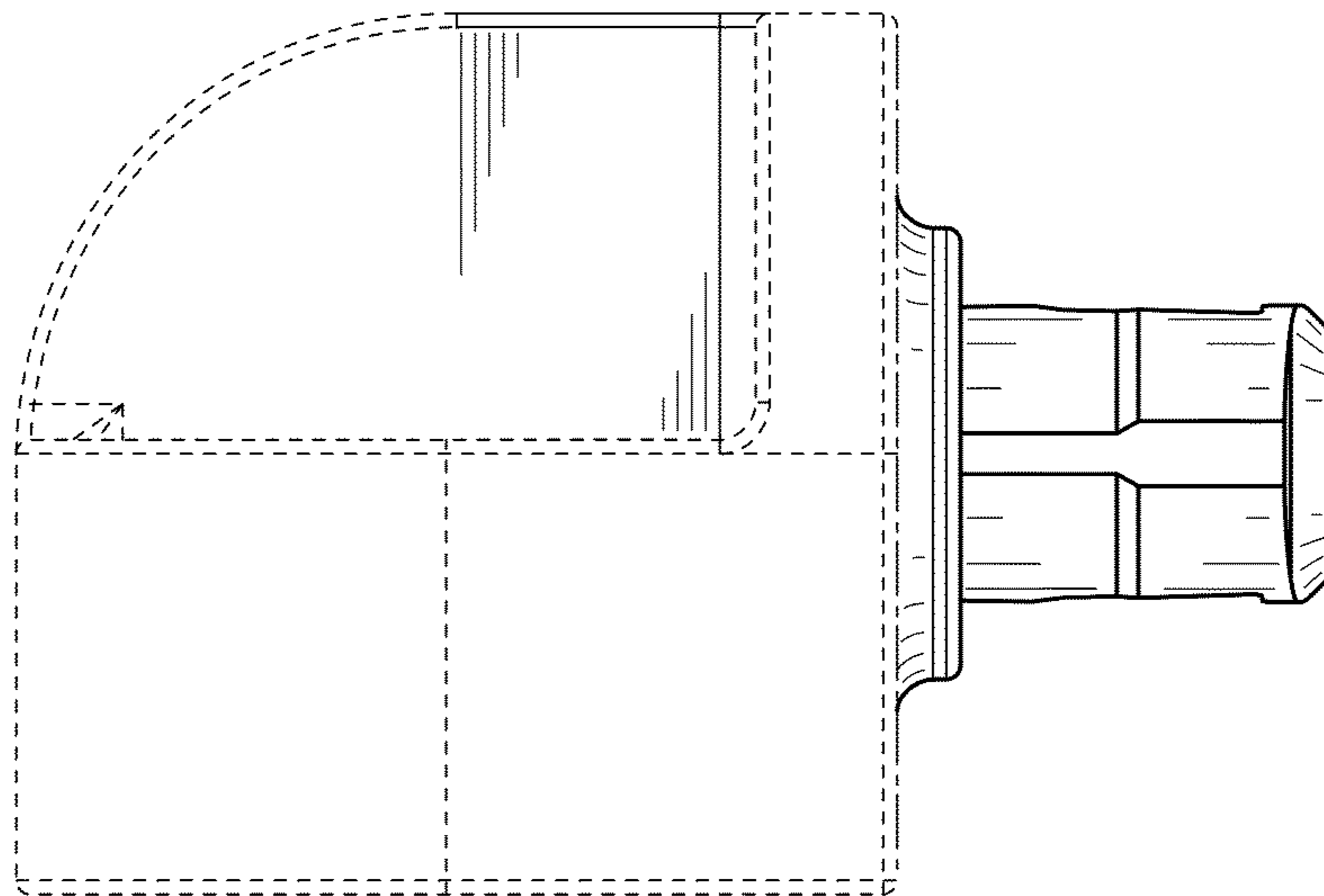


FIG. 6

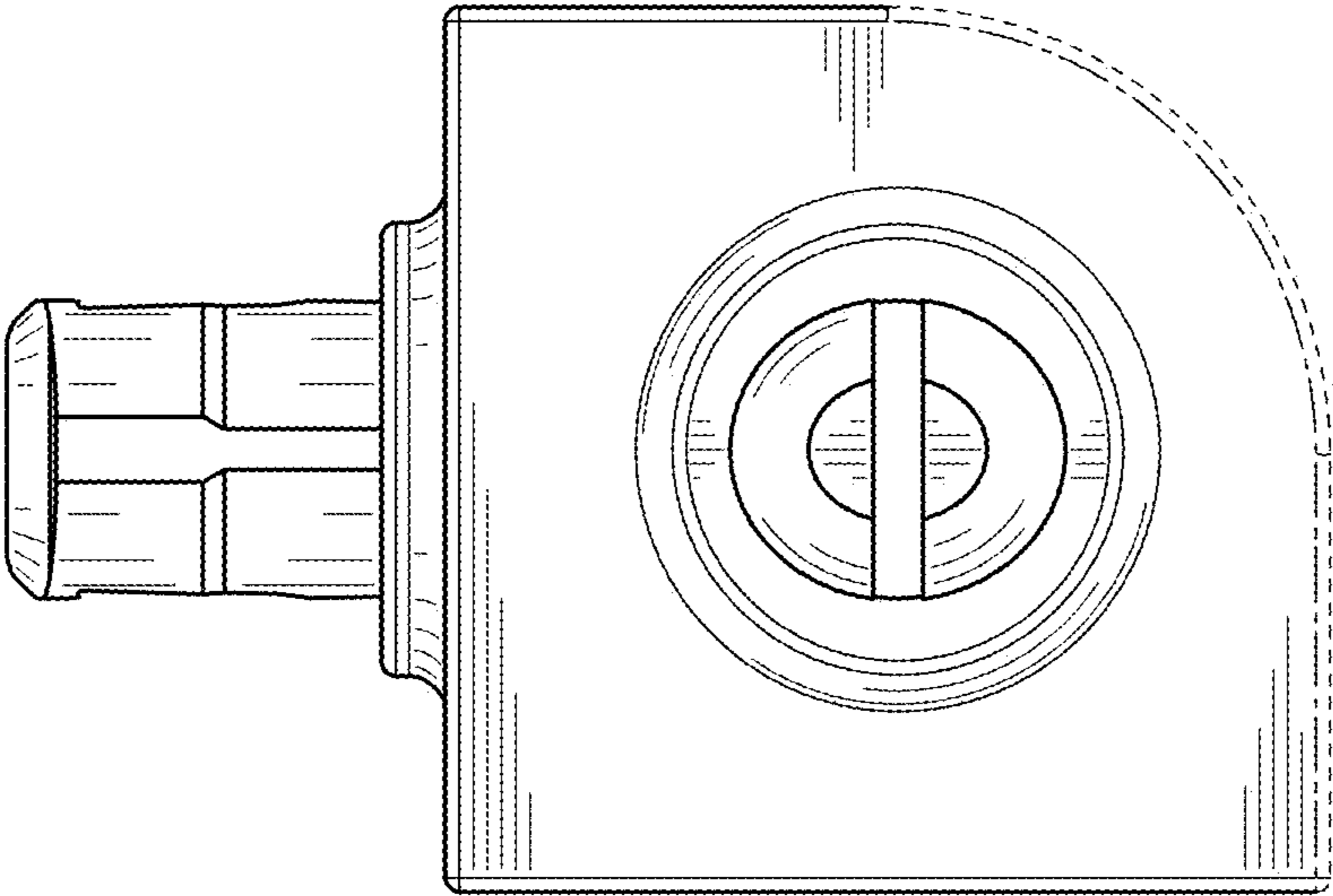


FIG. 7

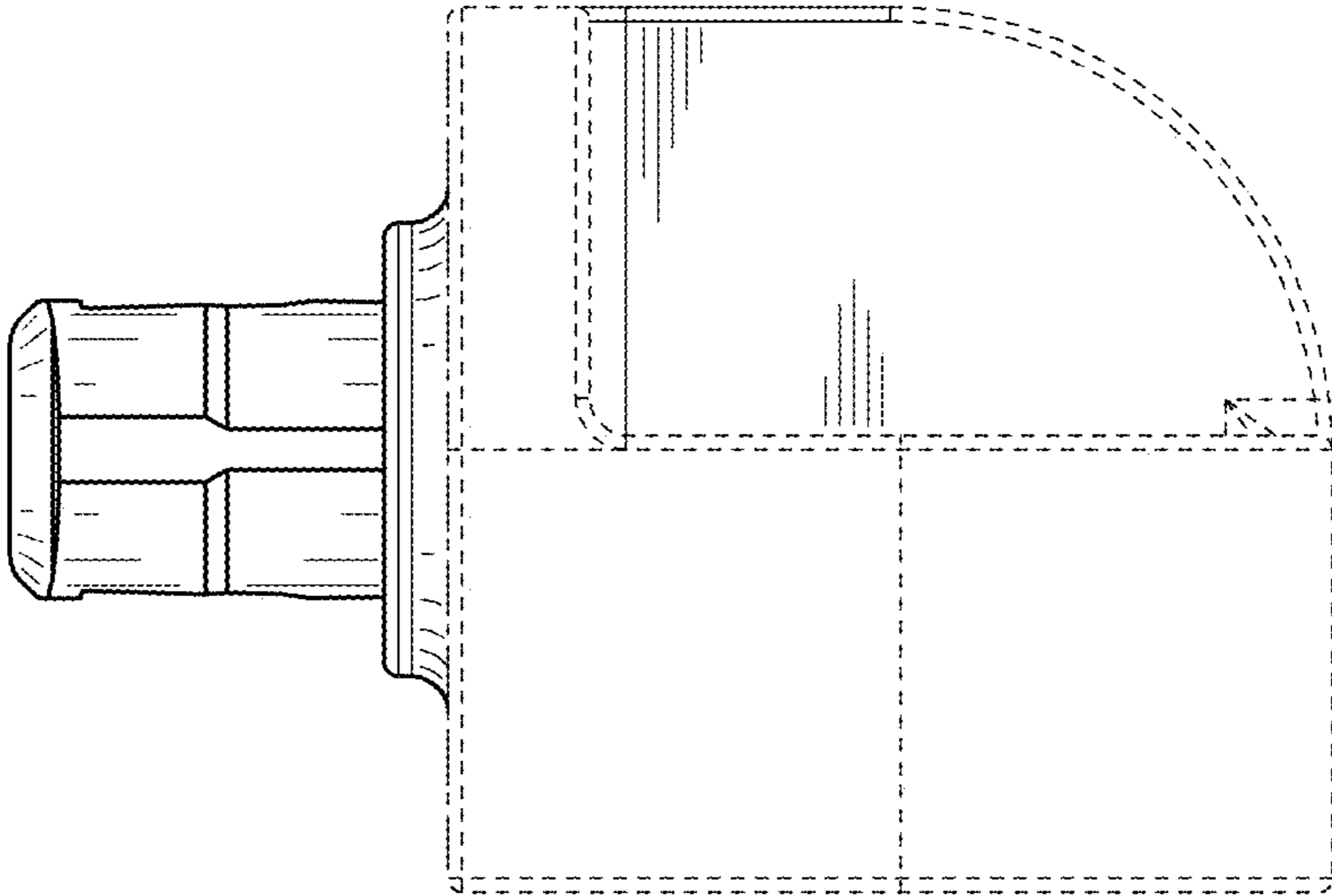


FIG. 8