



US00D707304S

(12) **United States Design Patent**
Norman et al.

(10) **Patent No.:** **US D707,304 S**

(45) **Date of Patent:** **** Jun. 17, 2014**

(54) **CONNECTOR COMPONENT FOR A CONSTRUCTION KIT**

(71) Applicant: **Innovation First, Inc.**, Greenville, TX (US)

(72) Inventors: **David Anthony Norman**, Greenville, TX (US); **Robert H. Mimlitch, III**, Rowlett, TX (US); **Paul David Copioli**, Rockwall, TX (US); **Gregory James Lavender**, Rockwall, TX (US); **Aren Calder Hill**, Rockford, IL (US); **Douglas Michael Galletti**, Allen, TX (US); **John Edward Vielkind-Neun**, Rockwall, TX (US); **Arthur Philip Dutra, IV**, Greenville, TX (US)

(73) Assignee: **Innovation First, Inc.**, Greenville, TX (US)

(**) Term: **14 Years**

(21) Appl. No.: **29/451,410**

(22) Filed: **Apr. 2, 2013**

(51) **LOC (10) Cl.** **21-01**

(52) **U.S. Cl.**
USPC **D21/503**

(58) **Field of Classification Search**
USPC D21/484-505; D8/382; 273/153, 156; 446/69, 85, 102-128; 434/259
See application file for complete search history.

(56) **References Cited**

U.S. PATENT DOCUMENTS

D528,170 S	*	9/2006	Kim	D21/486
D532,054 S	*	11/2006	Kim	D21/486
D678,838 S	*	3/2013	Henrink et al.	D13/133

* cited by examiner

Primary Examiner — Cynthia M Chin

(74) *Attorney, Agent, or Firm* — Adam K. Sacharoff; Much Shelist

(57) **CLAIM**

The ornamental design for a connector component for a construction kit, as shown and described.

DESCRIPTION

FIG. 1 is a front-top perspective view of a connector component for a construction kit in accordance with the present invention;

FIG. 2 is a rear-bottom perspective view of FIG. 1;

FIG. 3 is a top side perspective view of FIG. 1;

FIG. 4 is a bottom side perspective view of FIG. 1;

FIG. 5 is a right side view of FIG. 1;

FIG. 6 is a left side view of FIG. 1;

FIG. 7 is a front side view of FIG. 1;

FIG. 8 is a rear side view of FIG. 1;

FIG. 9 is a cross-sectional view of FIG. 1 taken of line 9-9 from FIG. 1;

FIG. 10 is a front-top perspective view of a connector component for a construction kit in accordance with the present invention;

FIG. 11 is a top side perspective view of FIG. 10;

FIG. 12 is a bottom side perspective view of FIG. 10;

FIG. 13 is a right side view of FIG. 10;

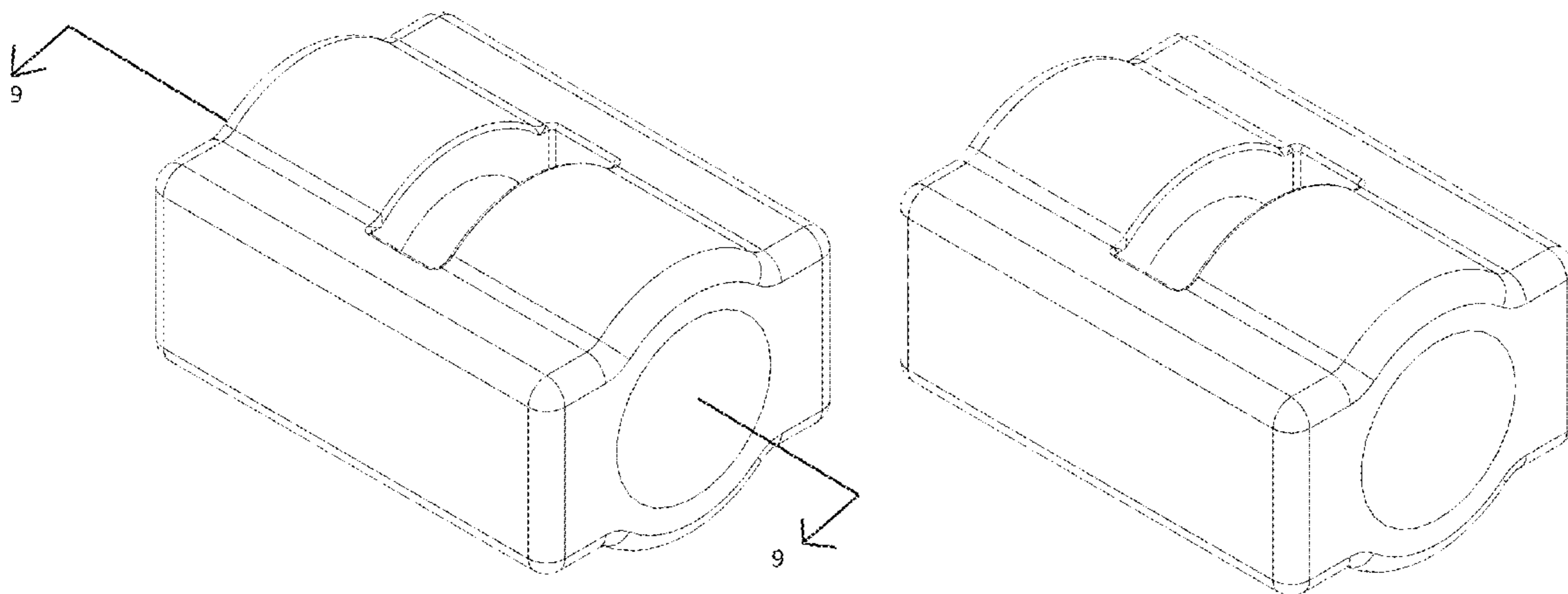
FIG. 14 is a left side view of FIG. 10;

FIG. 15 is a front side view of FIG. 10; and,

FIG. 16 is a rear side view of FIG. 10.

The broken lines are for environmental purposes only and form no part of the claimed design.

1 Claim, 16 Drawing Sheets



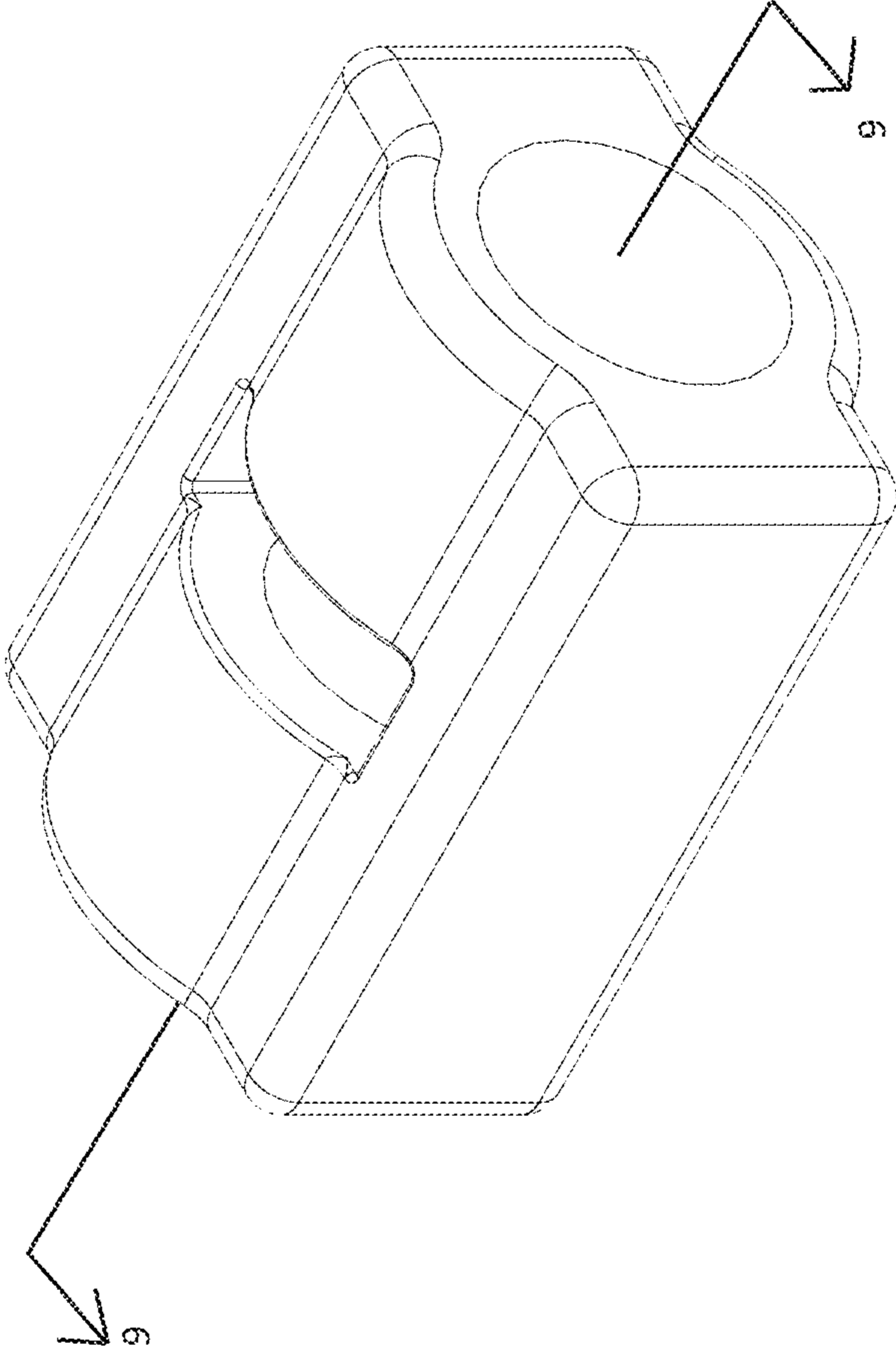


FIGURE 1

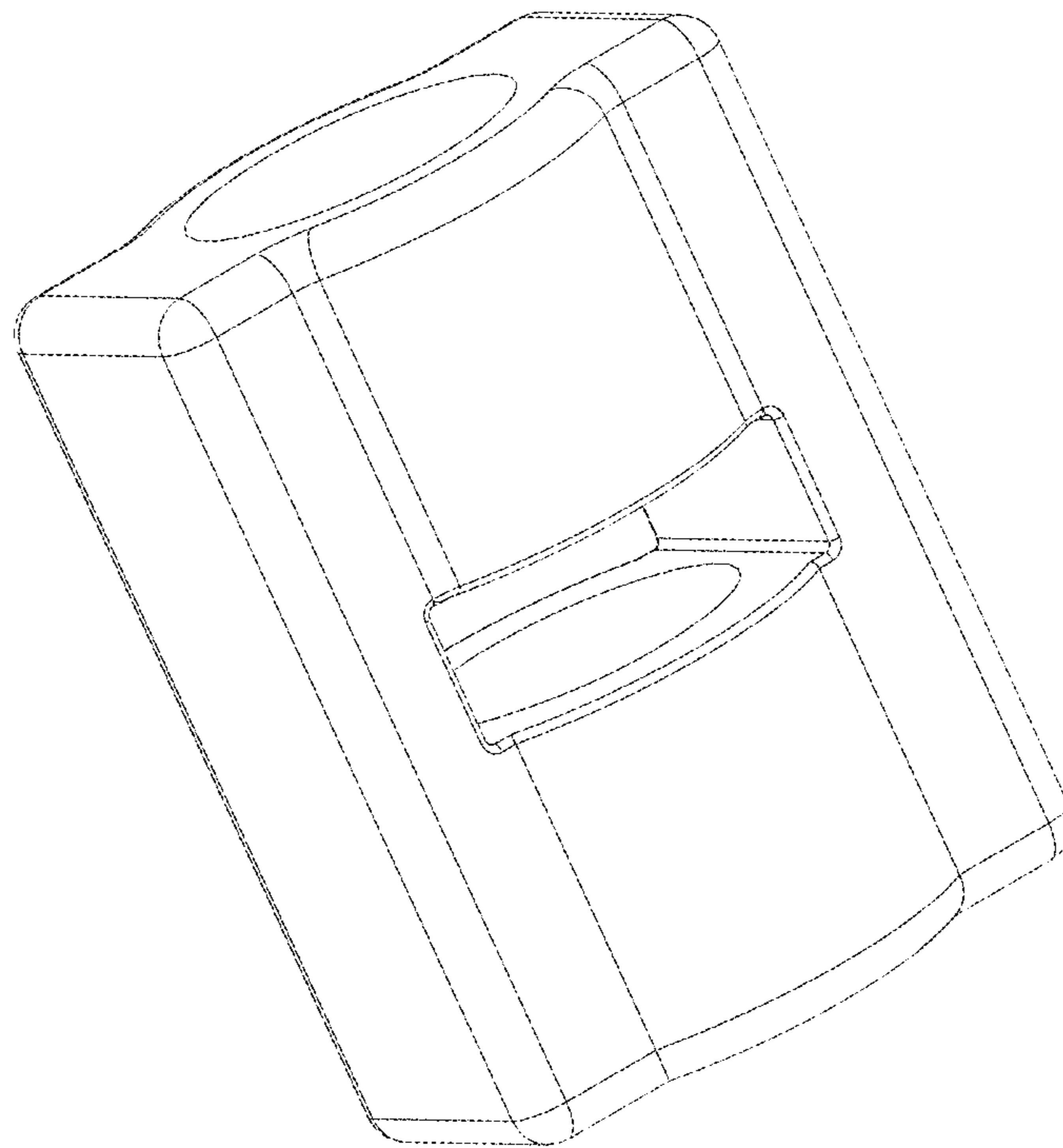


FIGURE 2

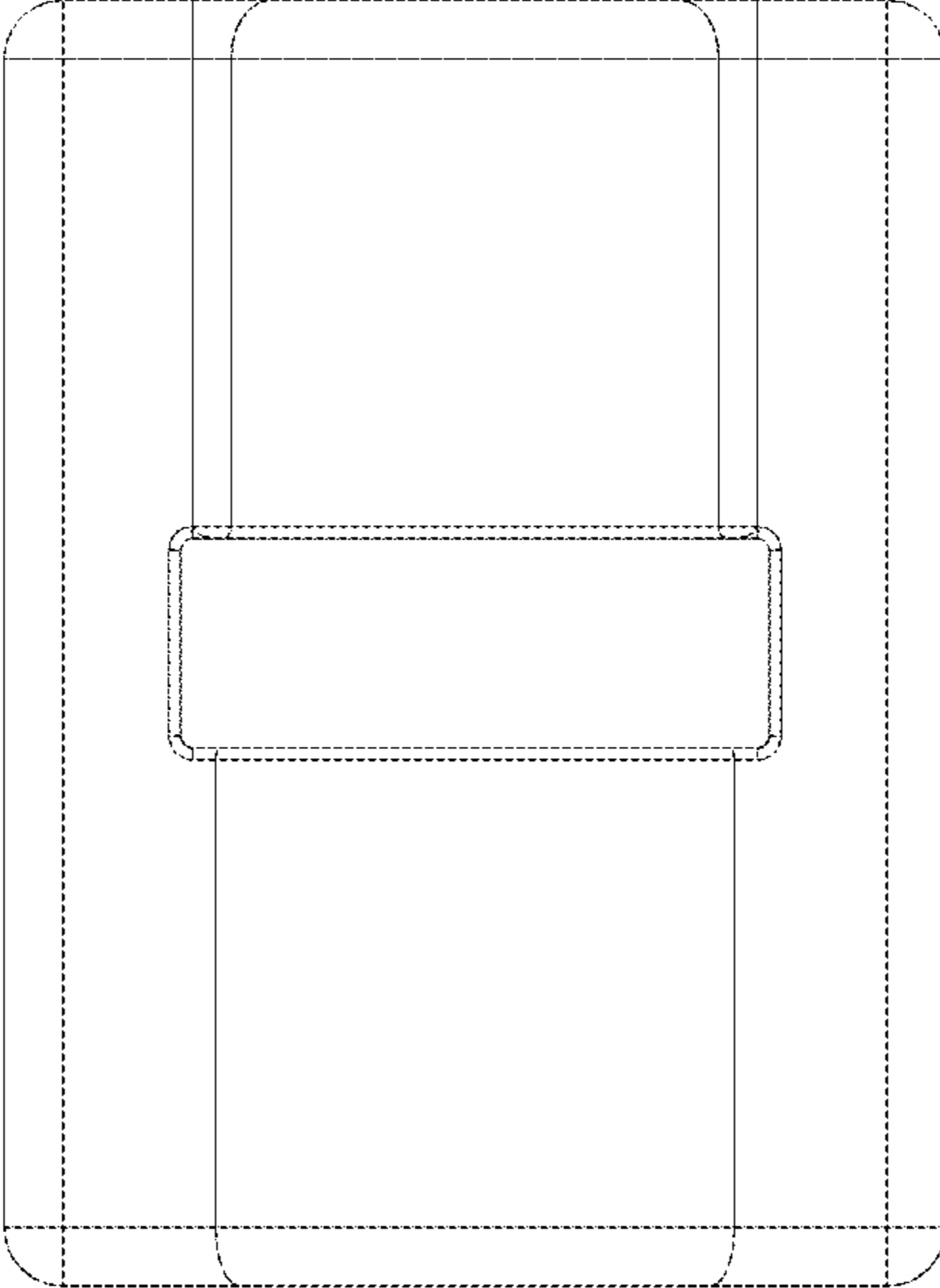


FIGURE 3

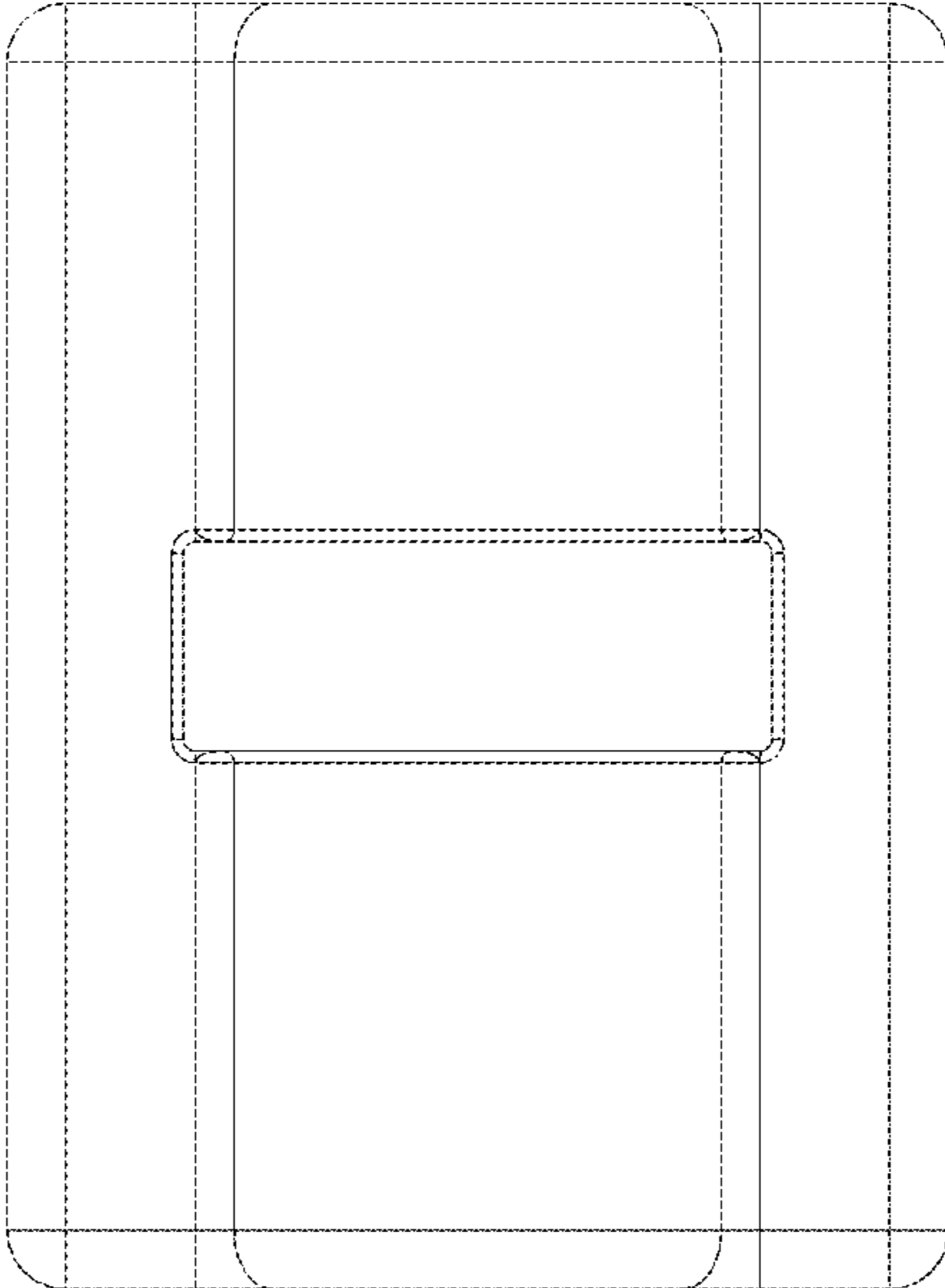


FIGURE 4

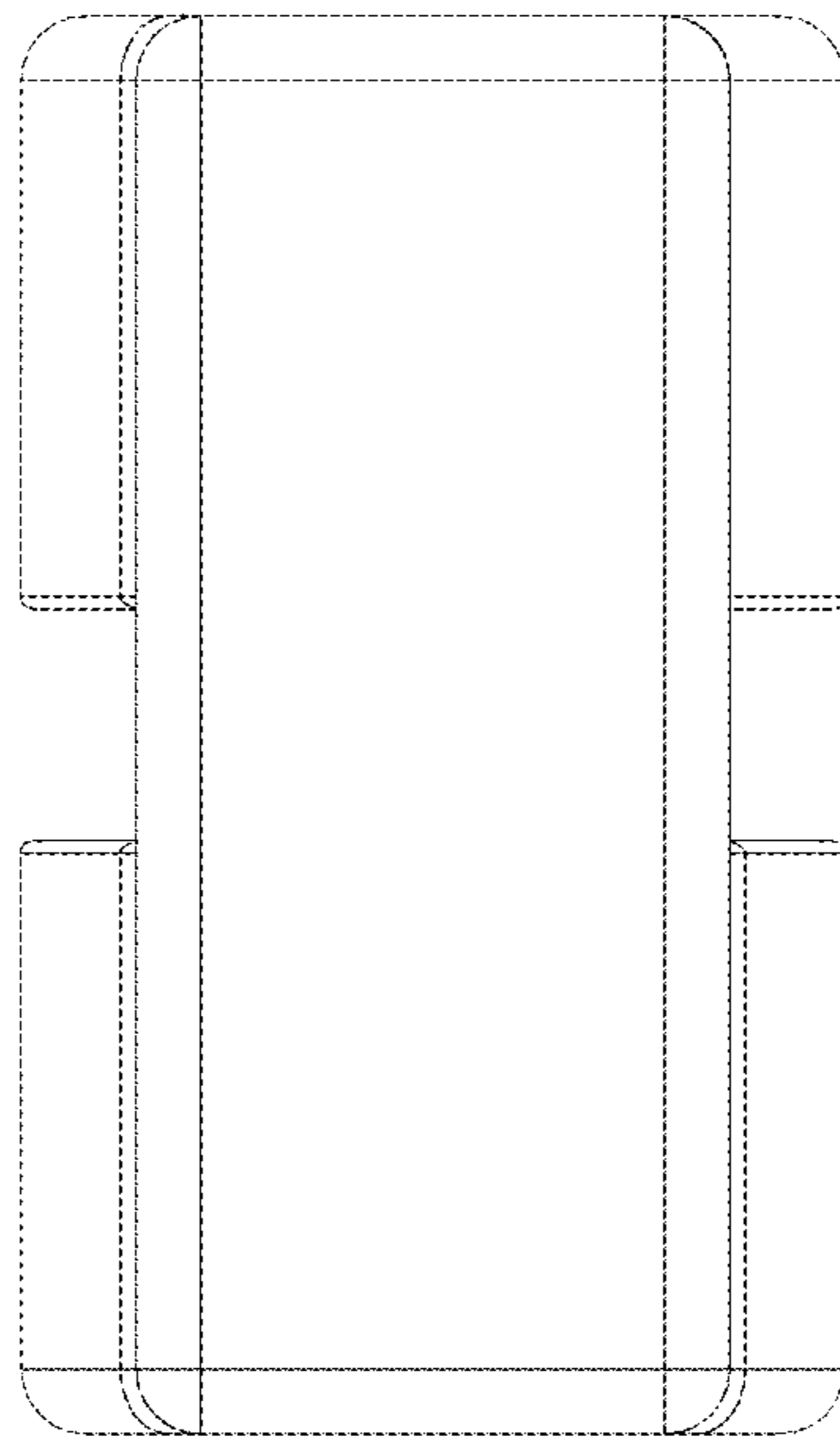


FIGURE 5

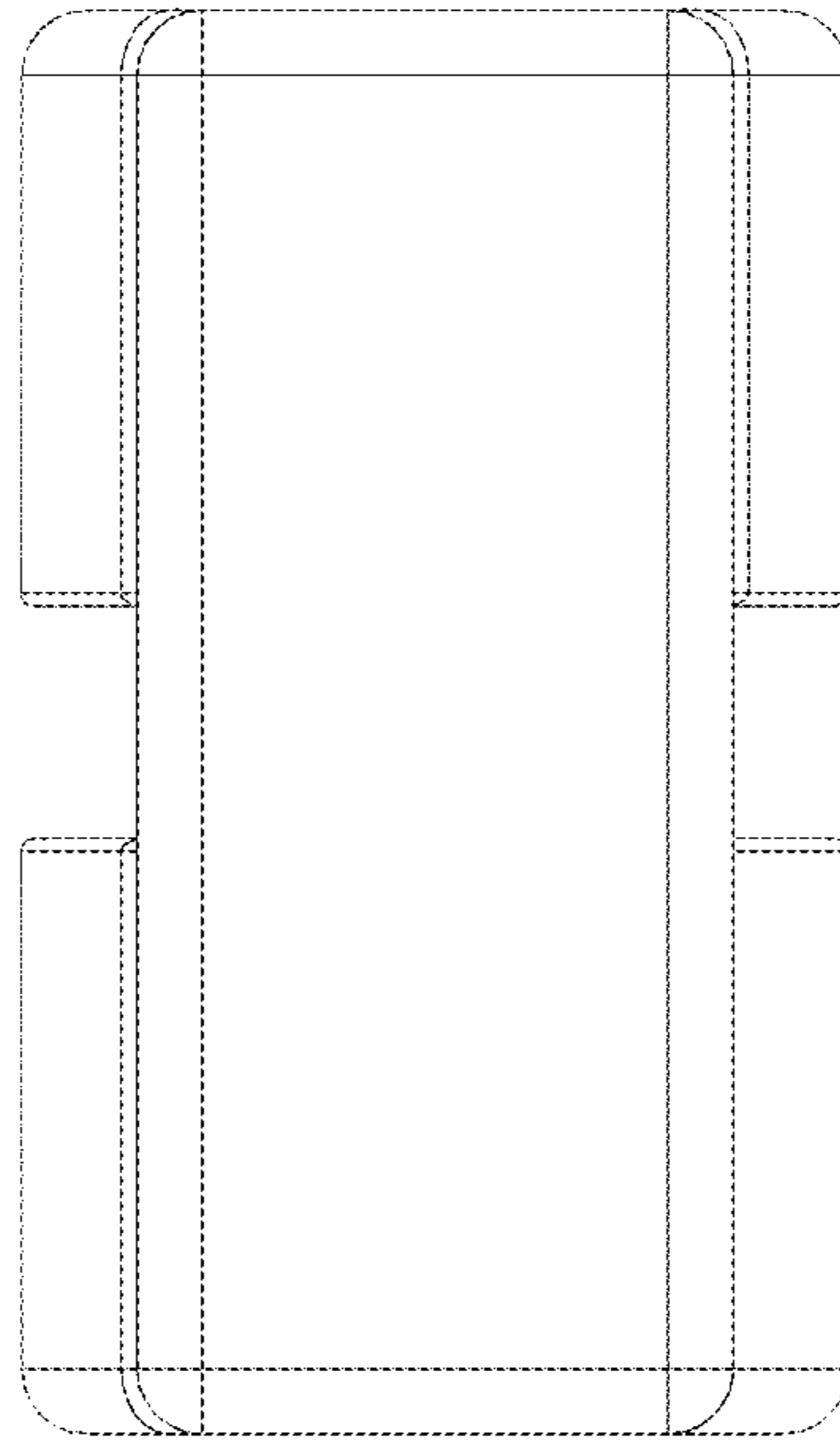


FIGURE 6

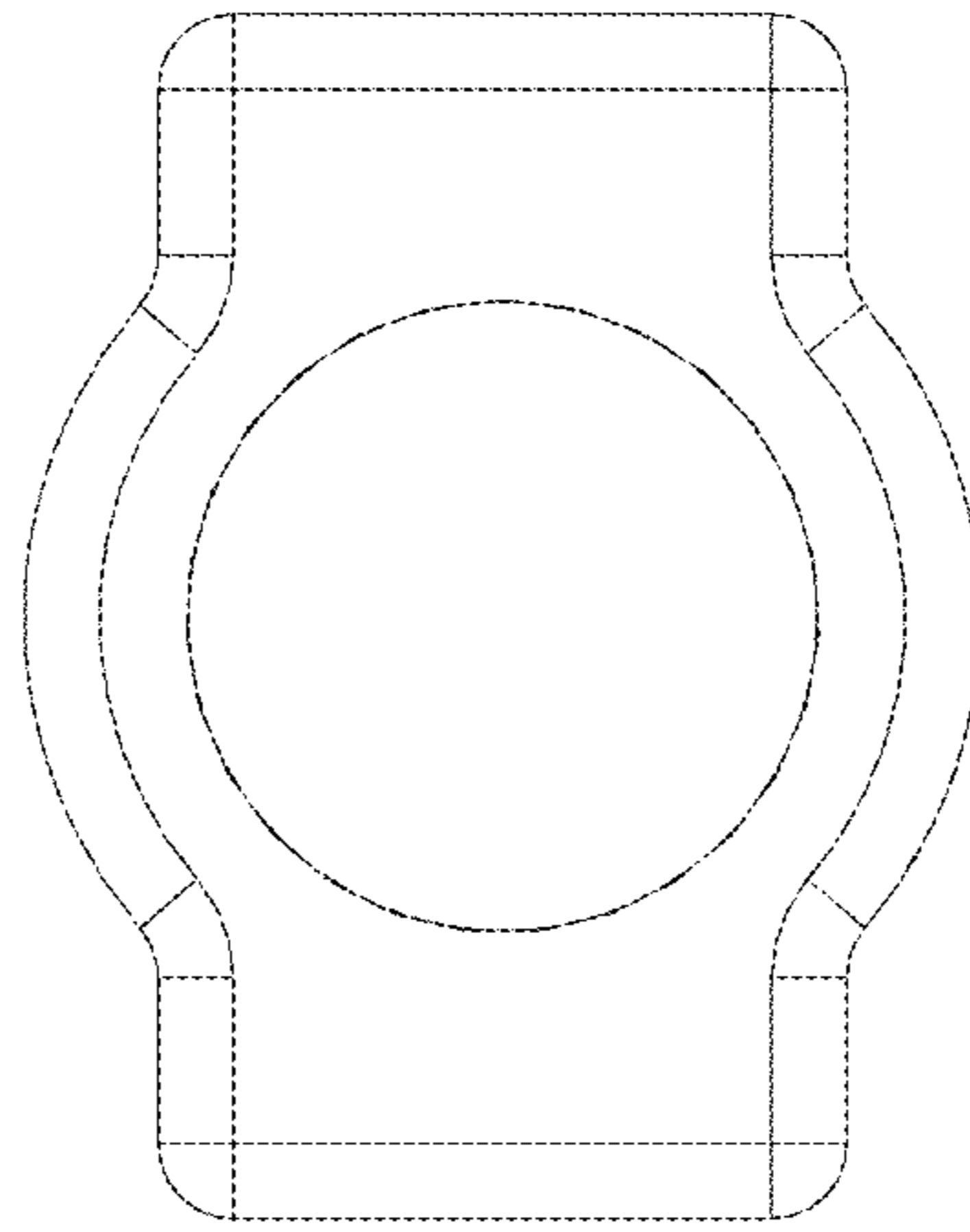


FIGURE 7

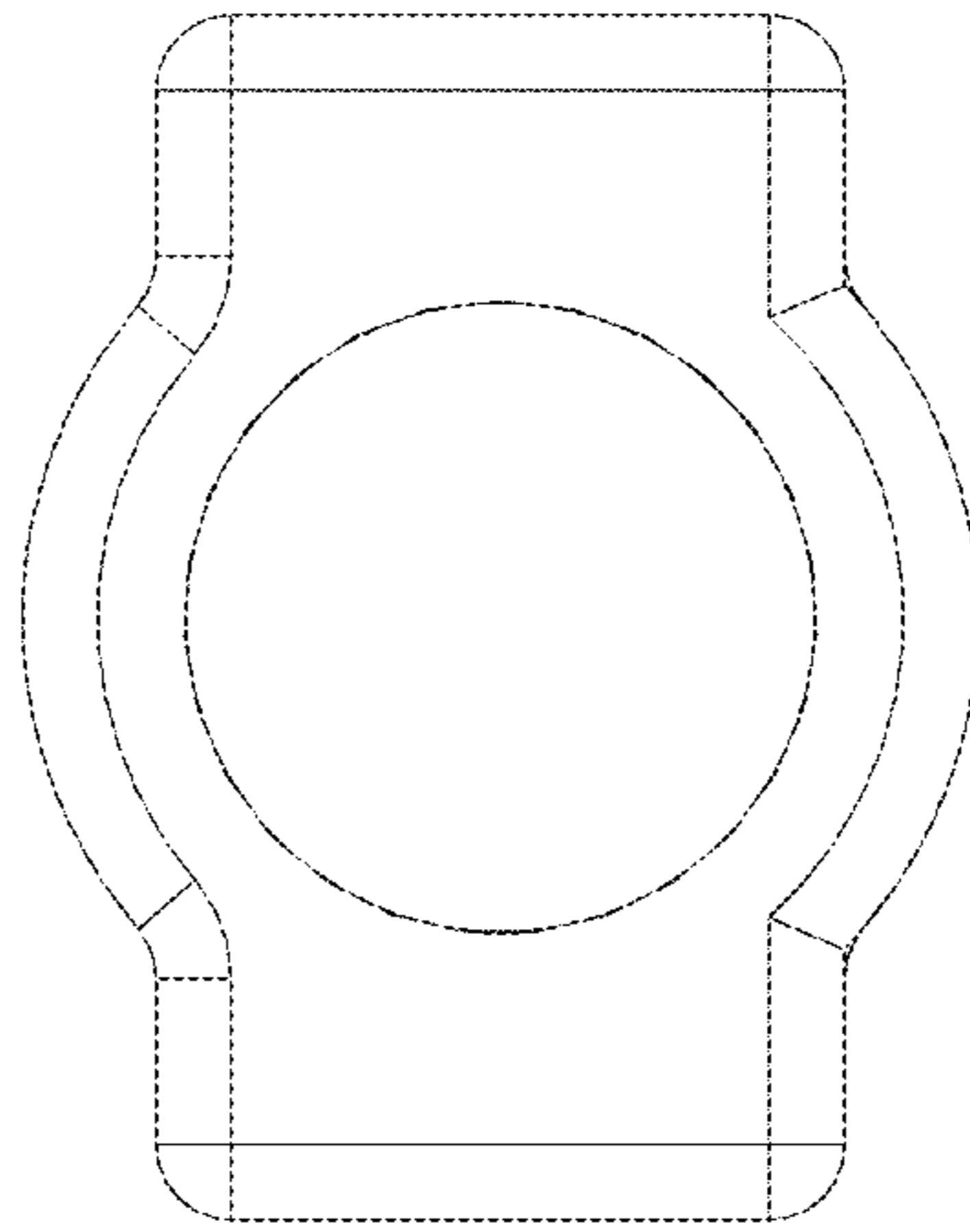


FIGURE 8

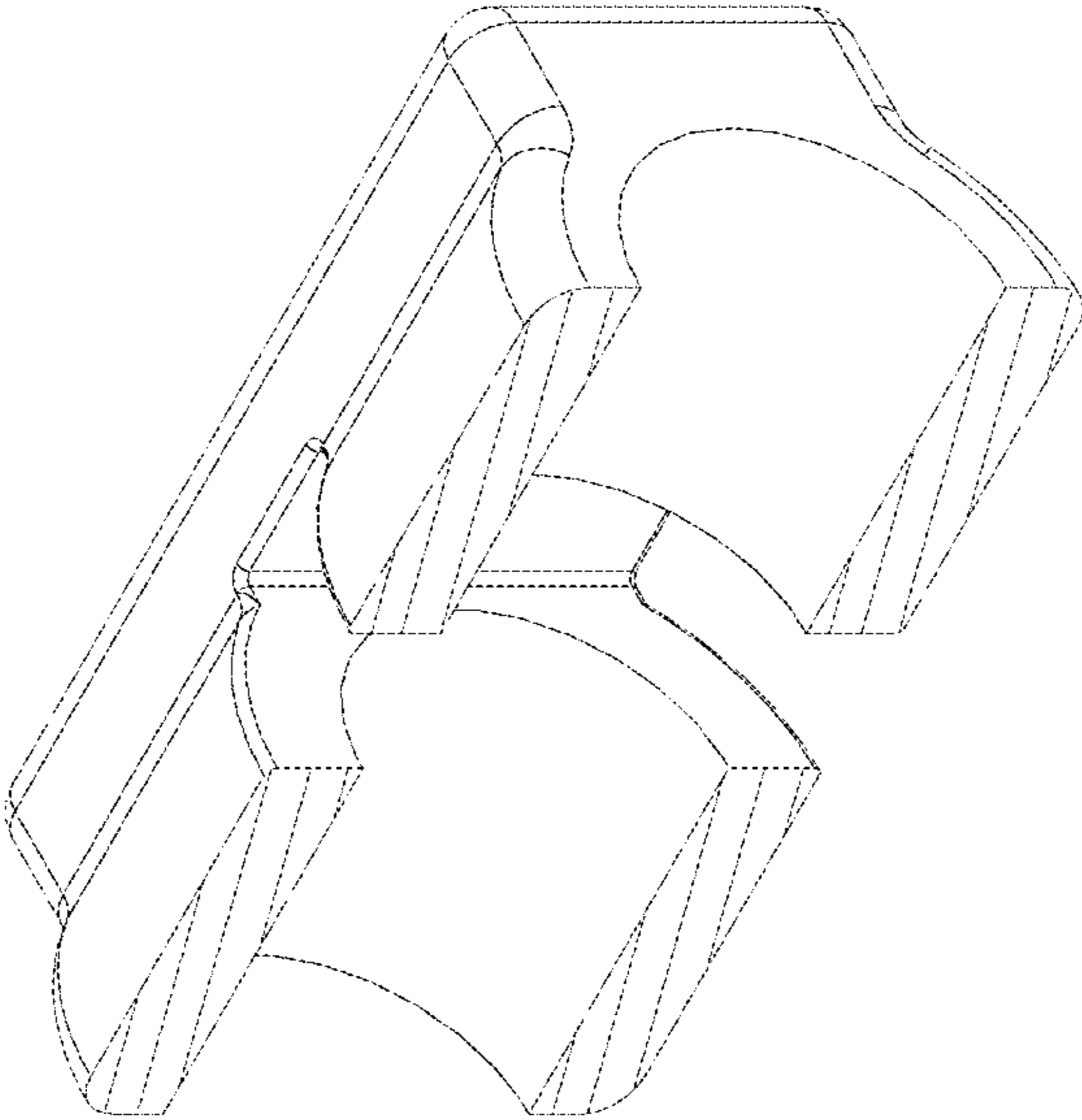


FIGURE 9

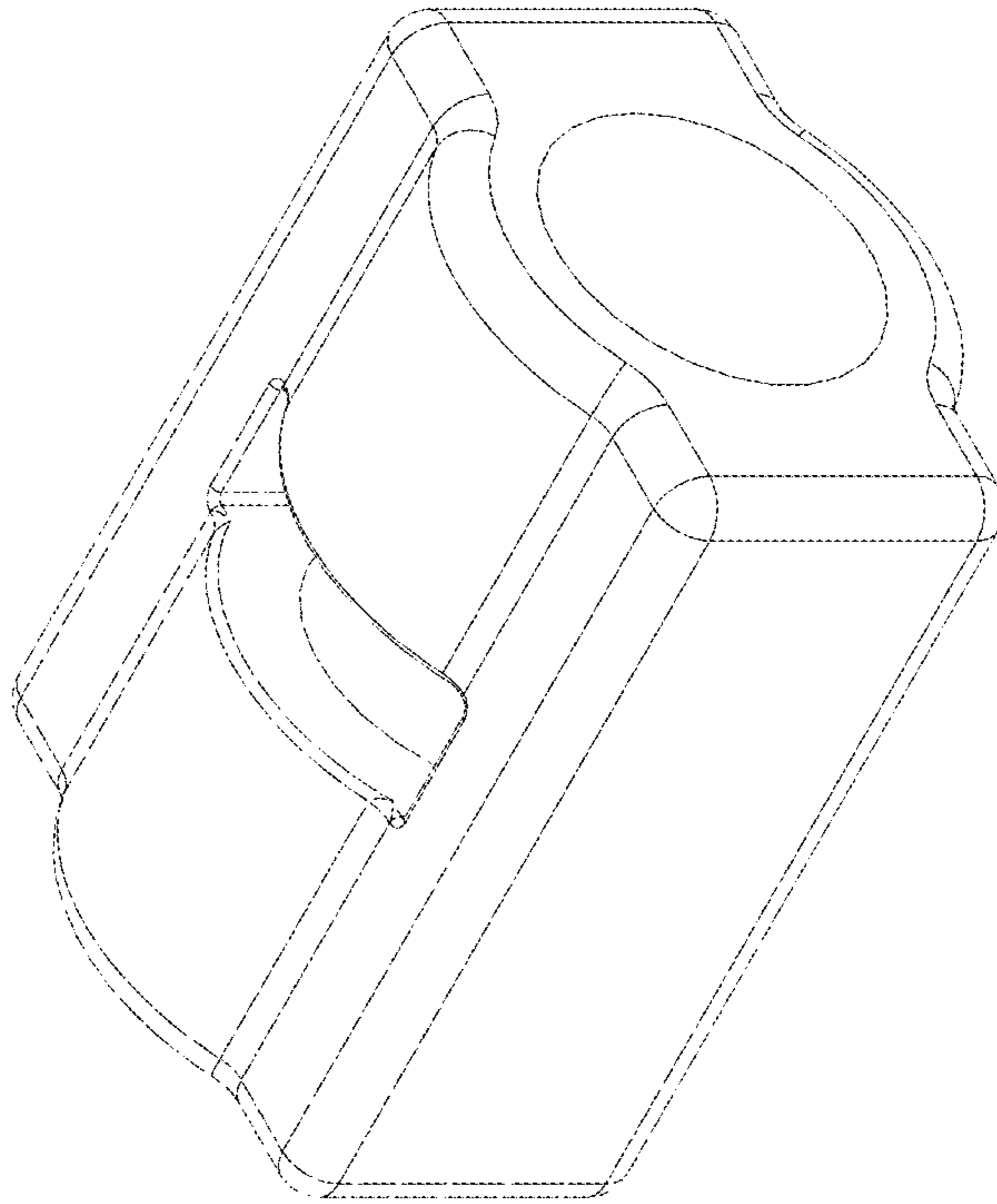


FIGURE 10

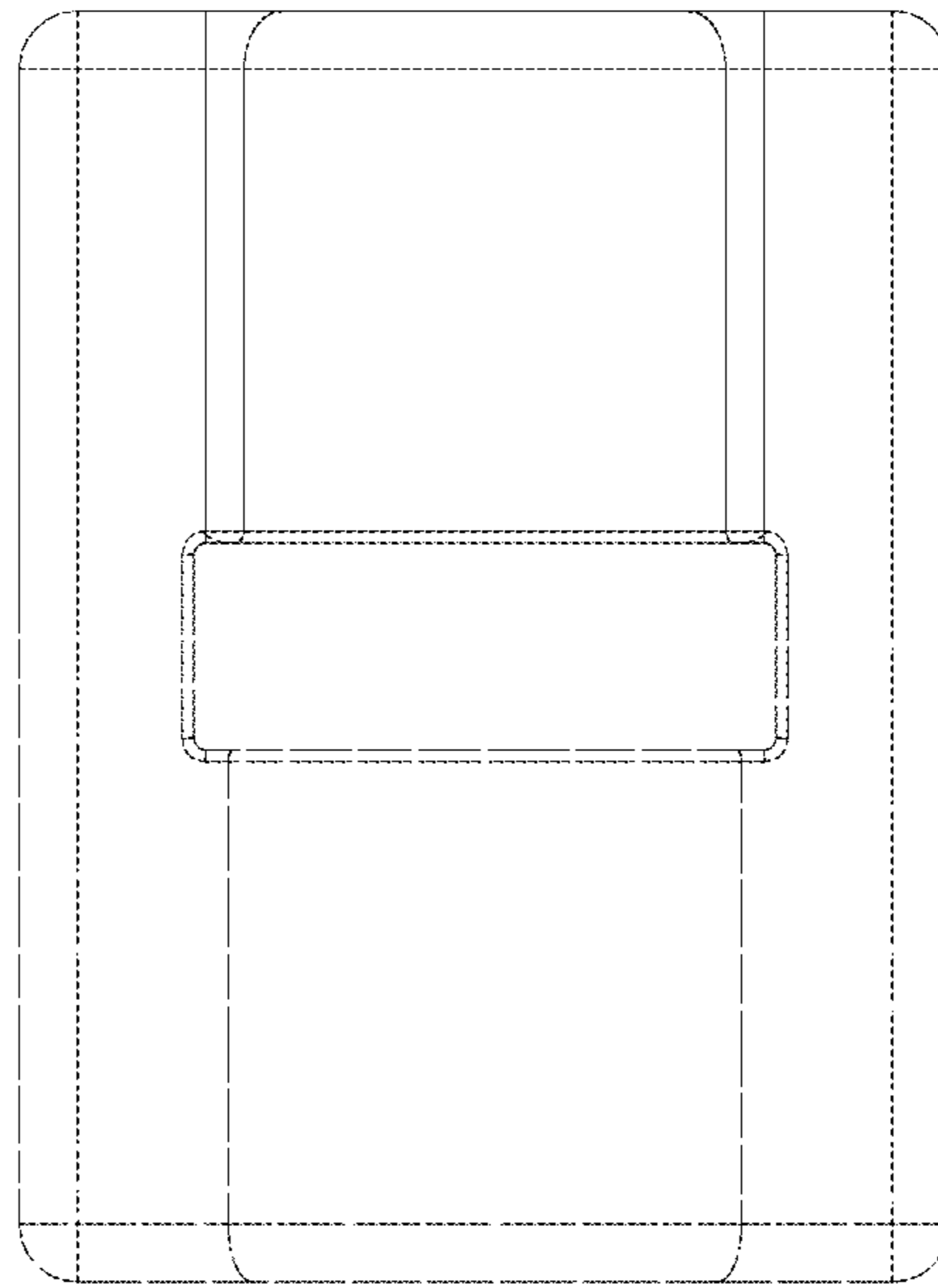


FIGURE 11

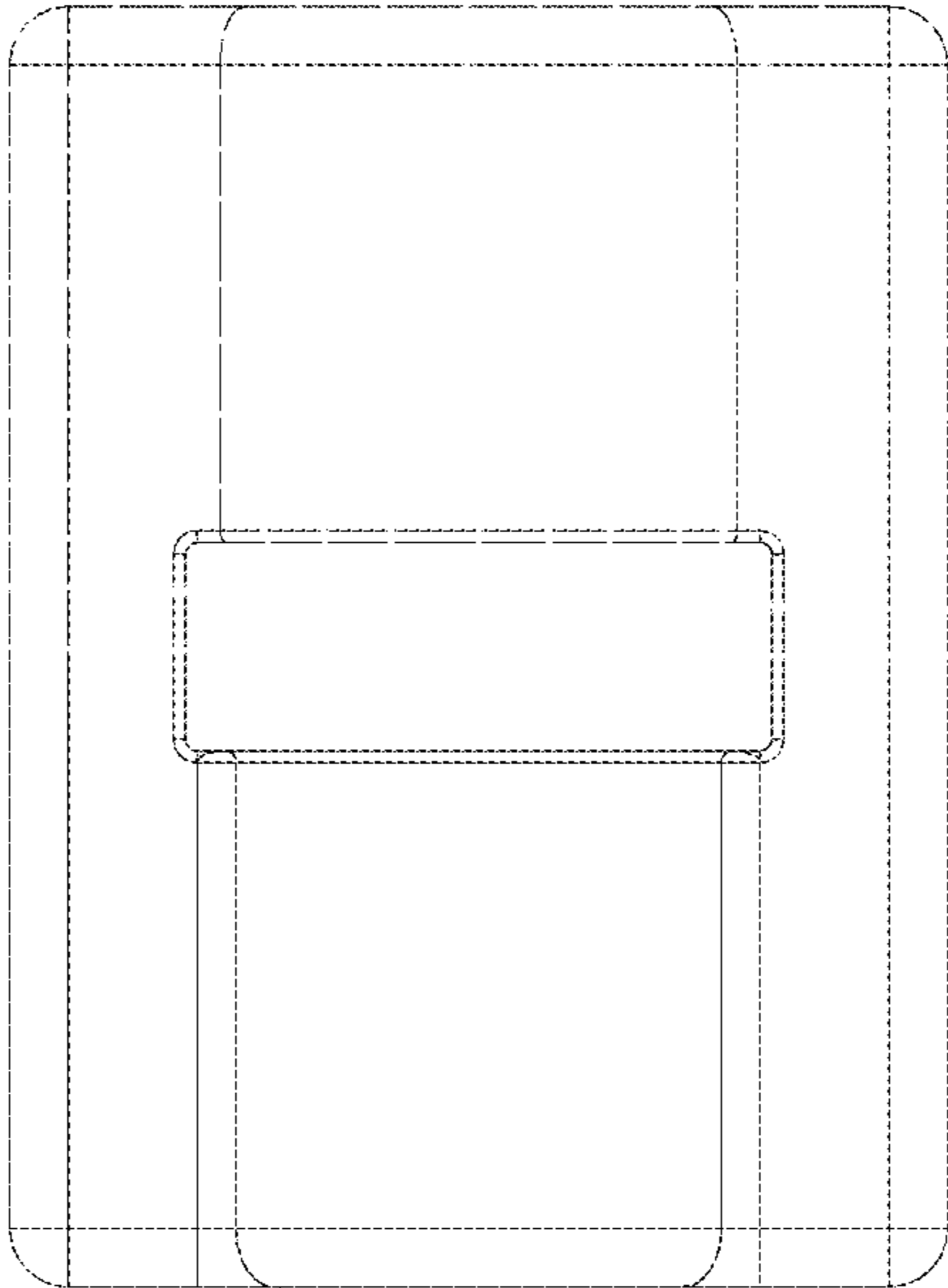


FIGURE 12

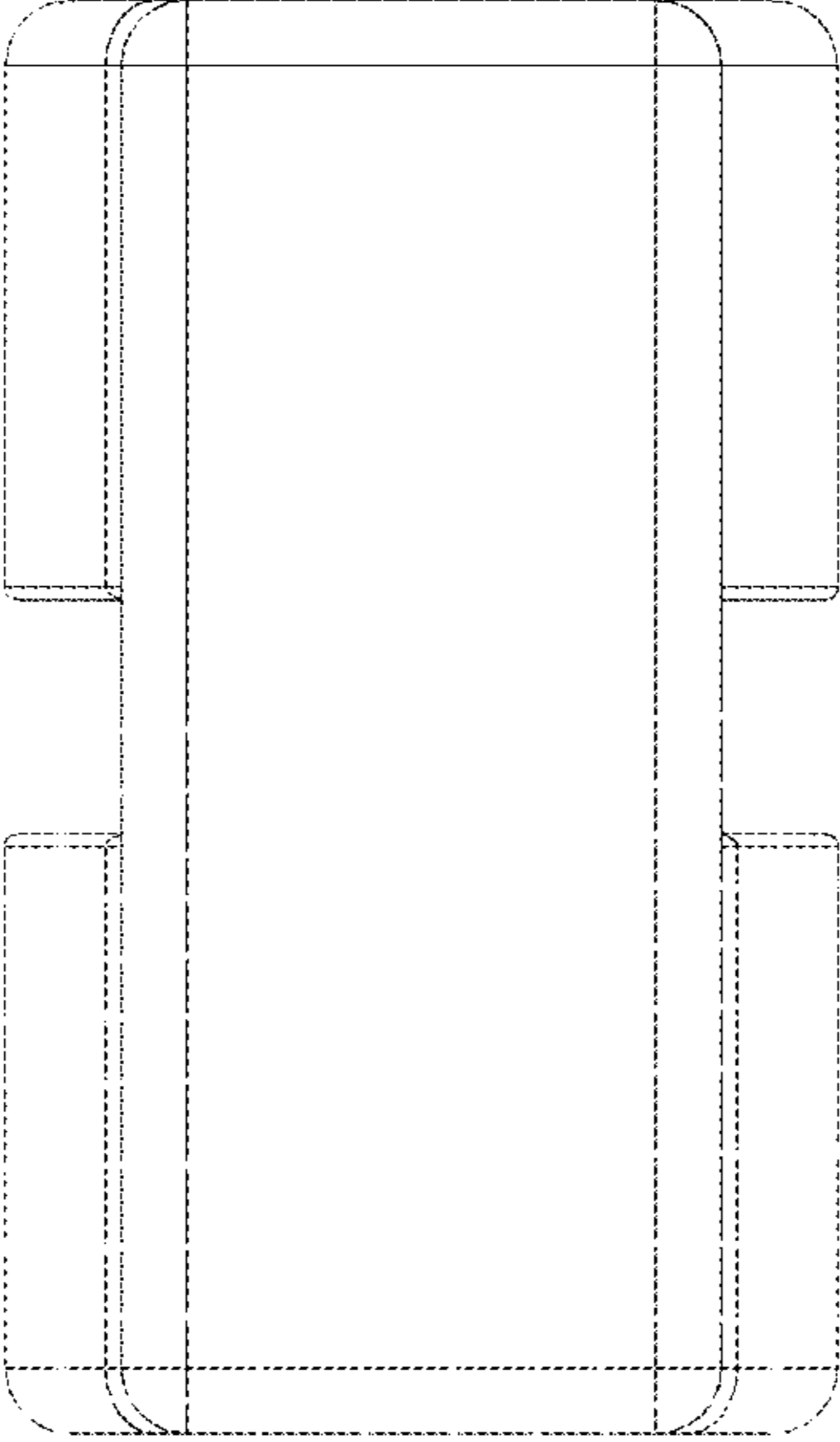


FIGURE 13

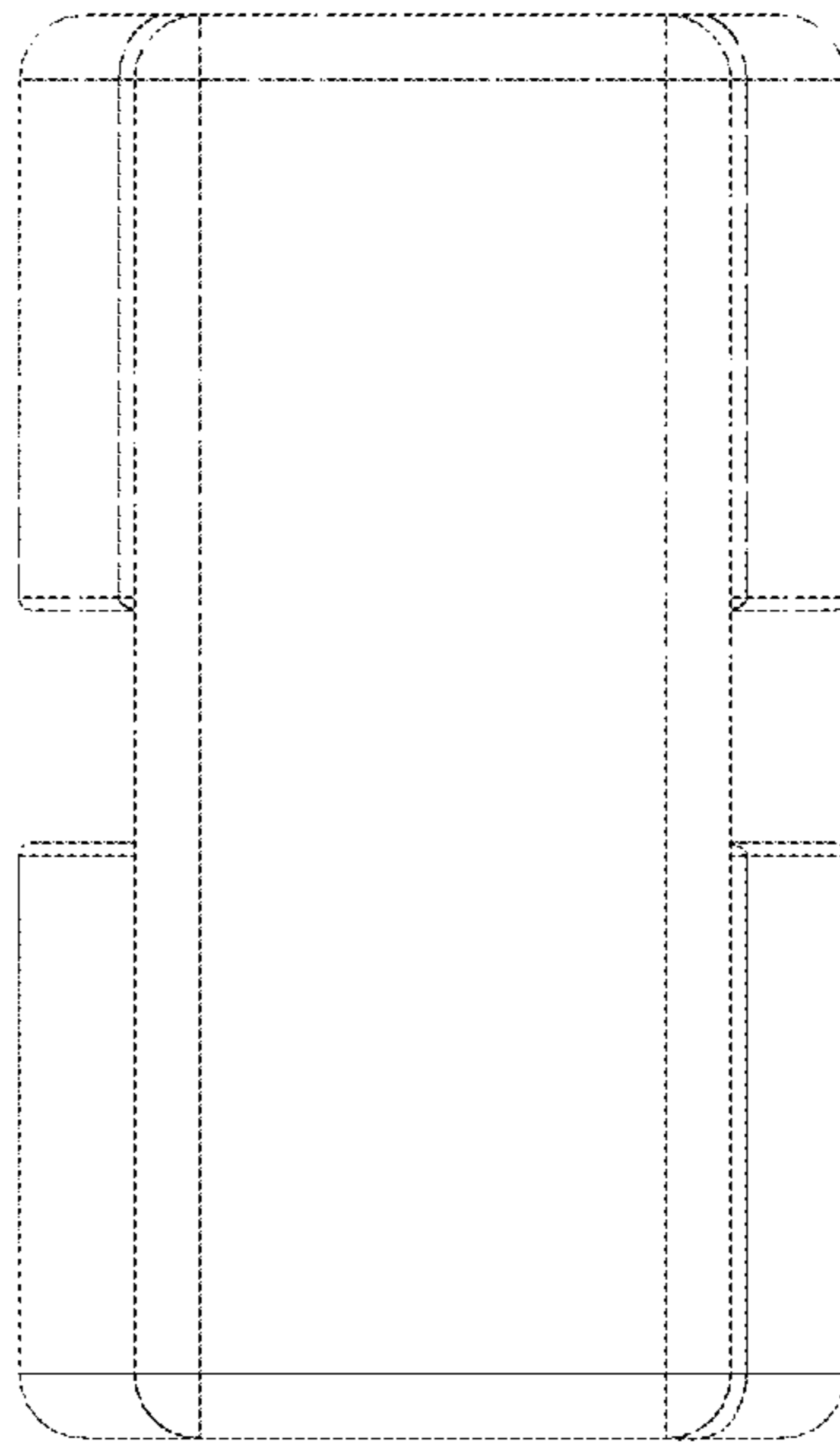


FIGURE 14

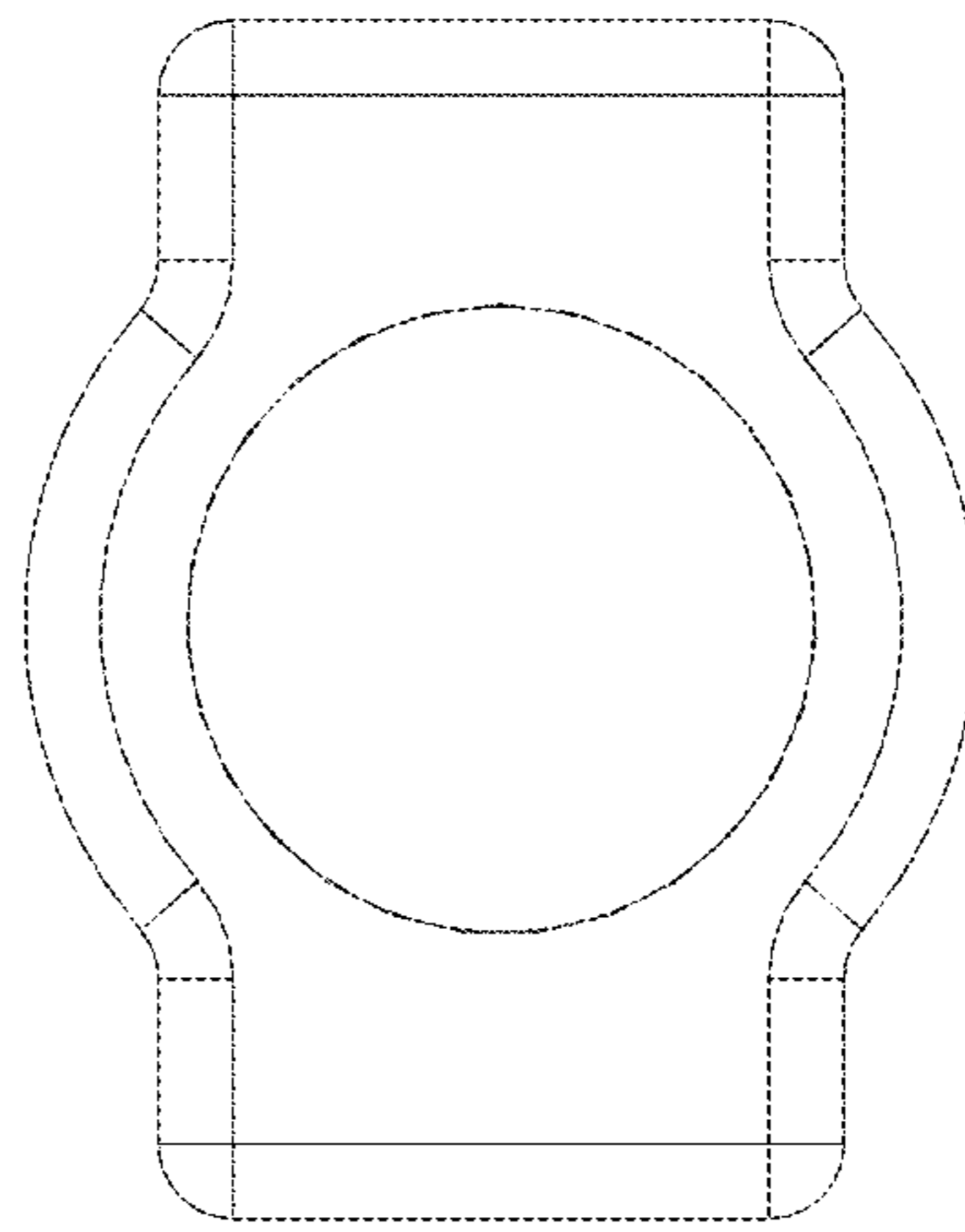


FIGURE 15

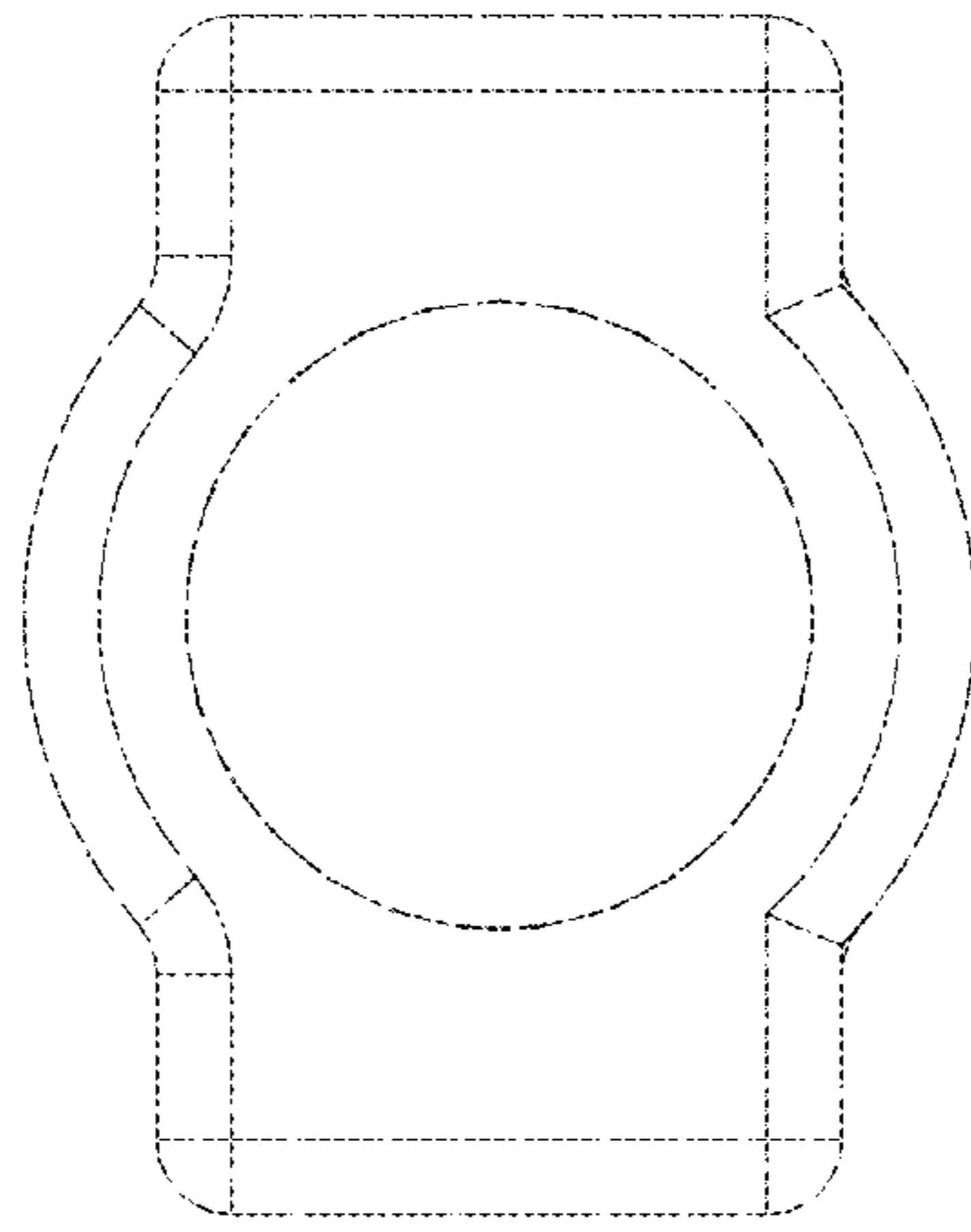


FIGURE 16