



US00D707300S

(12) **United States Design Patent**
Davis et al.

(10) **Patent No.:** **US D707,300 S**
(45) **Date of Patent:** **** Jun. 17, 2014**

- (54) **HEXAGON AIR HOCKEY TABLE**
- (76) Inventors: **Delroy Davis**, Baltimore, MD (US);
Barbara Davis, Baltimore, MD (US)
- (**) Term: **14 Years**
- (21) Appl. No.: **29/395,737**
- (22) Filed: **Mar. 21, 2012**
(Under 37 CFR 1.47)
- (51) **LOC (10) Cl.** **21-01**
- (52) **U.S. Cl.**
USPC **D21/318**
- (58) **Field of Classification Search**
USPC D21/318, 312, 314, 338; 273/108,
273/108.1, 110, 236, 277, 284, 285, 287
See application file for complete search history.

(56) **References Cited**

U.S. PATENT DOCUMENTS

735,995	A *	8/1903	Mumford	273/118 R
3,228,688	A	1/1966	Dennison		
3,574,350	A	4/1971	May		
3,773,325	A	11/1973	Crossman et al.		
3,887,187	A	6/1975	Crossman		
D235,669	S	7/1975	Le Mileux		
3,954,267	A	5/1976	Freeman		
3,992,009	A	11/1976	Trbovich		
4,076,242	A	2/1978	Joseph		
4,261,568	A *	4/1981	Such	273/108.5
4,482,153	A *	11/1984	Gibbs	273/108.1
4,765,622	A	8/1988	Rienzo		
4,872,679	A *	10/1989	Bohaski et al.	273/317.5
D347,026	S *	5/1994	Young	D21/318
5,356,143	A	10/1994	Hylak		
D400,950	S	11/1998	Nally et al.		
D400,951	S	11/1998	Nally et al.		
5,931,465	A	8/1999	Miyake		

D418,176	S	12/1999	Nally et al.		
6,003,866	A	12/1999	Tsai		
6,105,960	A	8/2000	Carames		
6,109,607	A	8/2000	Cartwright et al.		
6,234,476	B1	5/2001	Yamashita et al.		
6,276,682	B1	8/2001	Yamashita et al.		
6,345,820	B1	2/2002	Zucchi et al.		
6,419,224	B1 *	7/2002	Tsai	273/108.1
D463,827	S *	10/2002	Chen	D21/318
D463,832	S	10/2002	Zucchi et al.		
7,389,987	B1	6/2008	Paukert		
D587,318	S *	2/2009	Bossio et al.	D21/318
7,500,671	B2	3/2009	Narus et al.		
D653,710	S *	2/2012	Davis et al.	D21/318
2001/0033054	A1	10/2001	Rossi et al.		
2003/0168801	A1	9/2003	Zucchi et al.		

* cited by examiner

Primary Examiner — Prabhakar Deshmukh

(57) **CLAIM**

The ornamental design for a hexagonal air hockey table, as shown and described.

DESCRIPTION

FIG. 1 is an exploded perspective view of a hexagonal air hockey table showing my new design, shown in its environmental use;

FIG. 2 is a top plan view thereof;

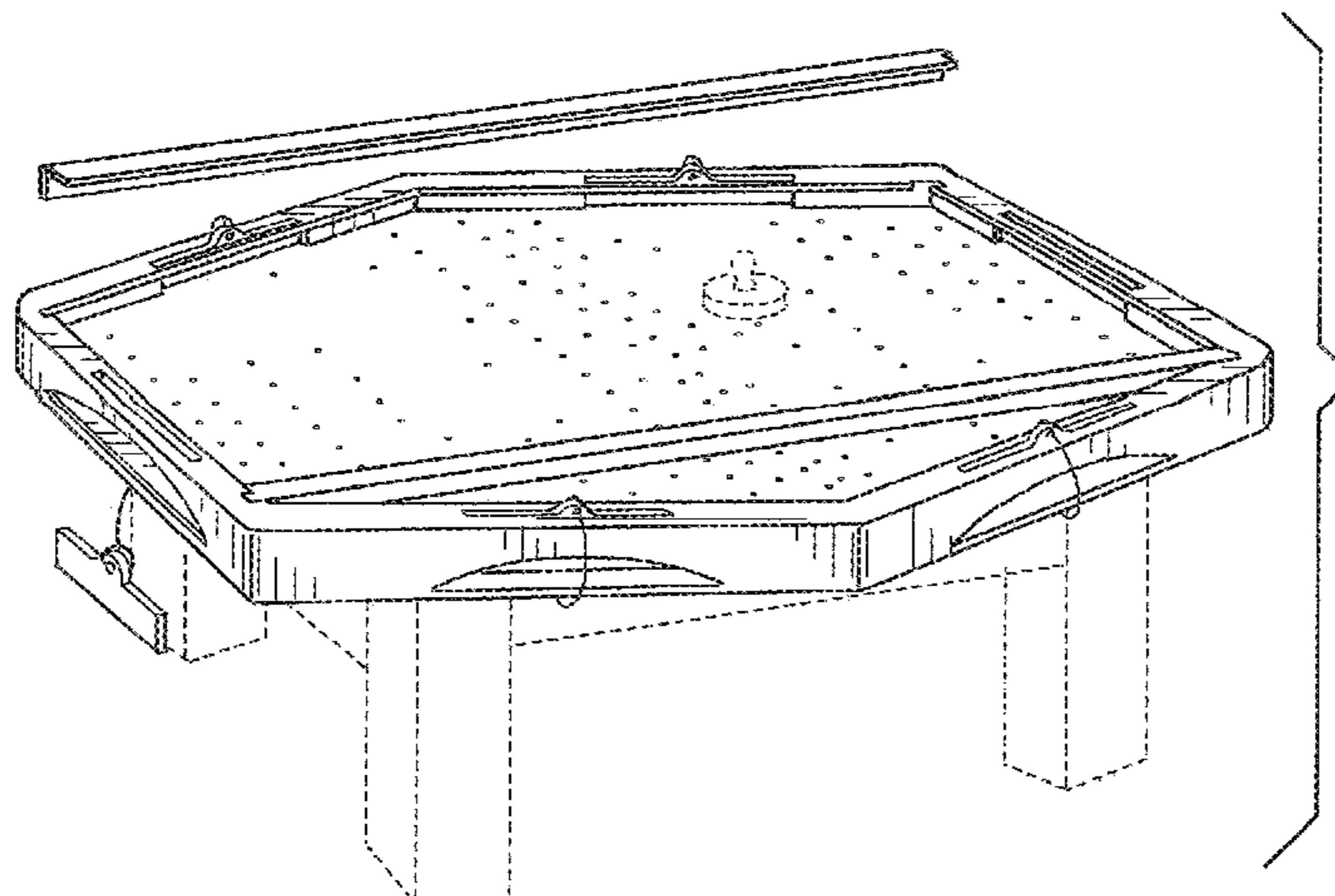
FIG. 3 is a bottom plan view thereof;

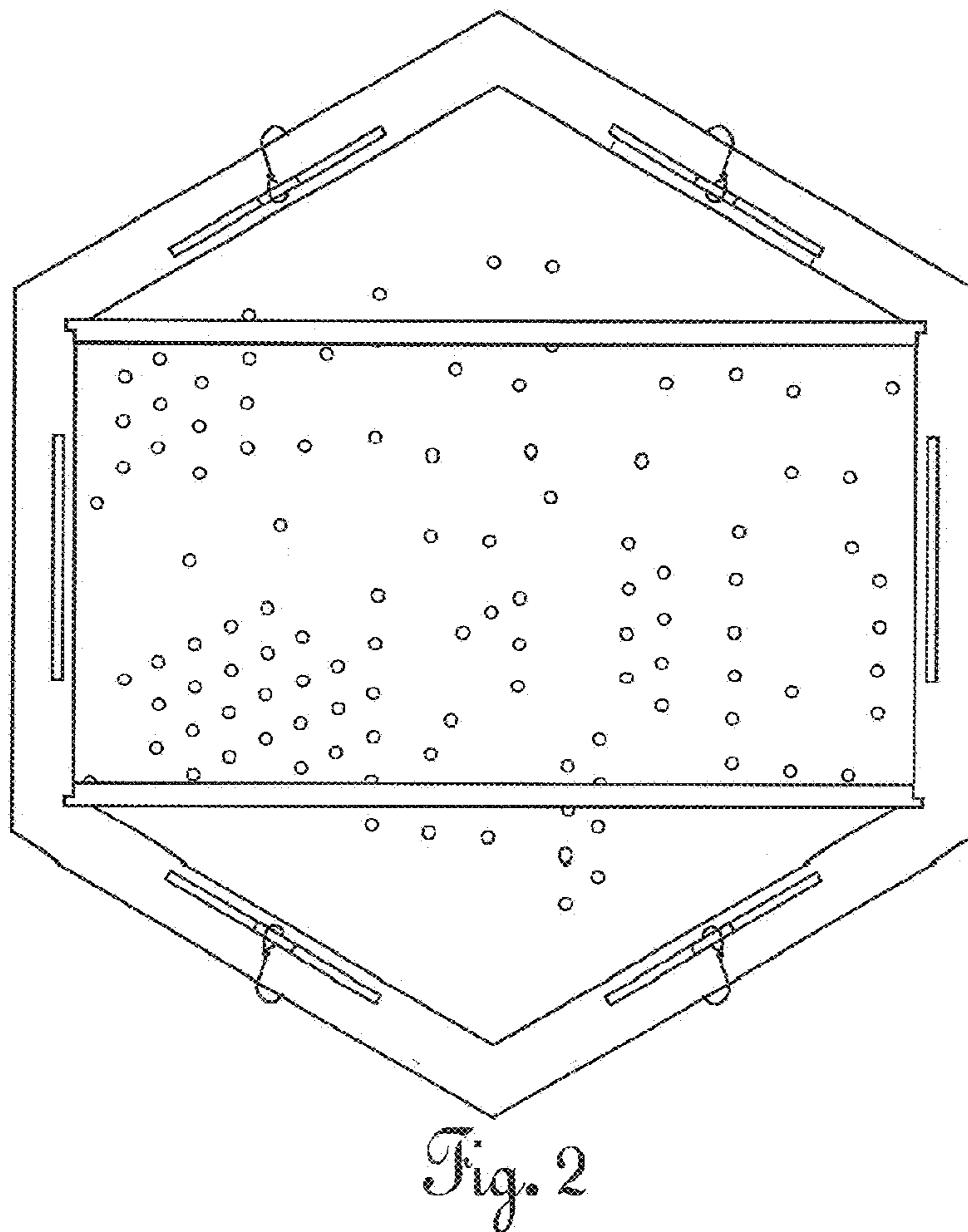
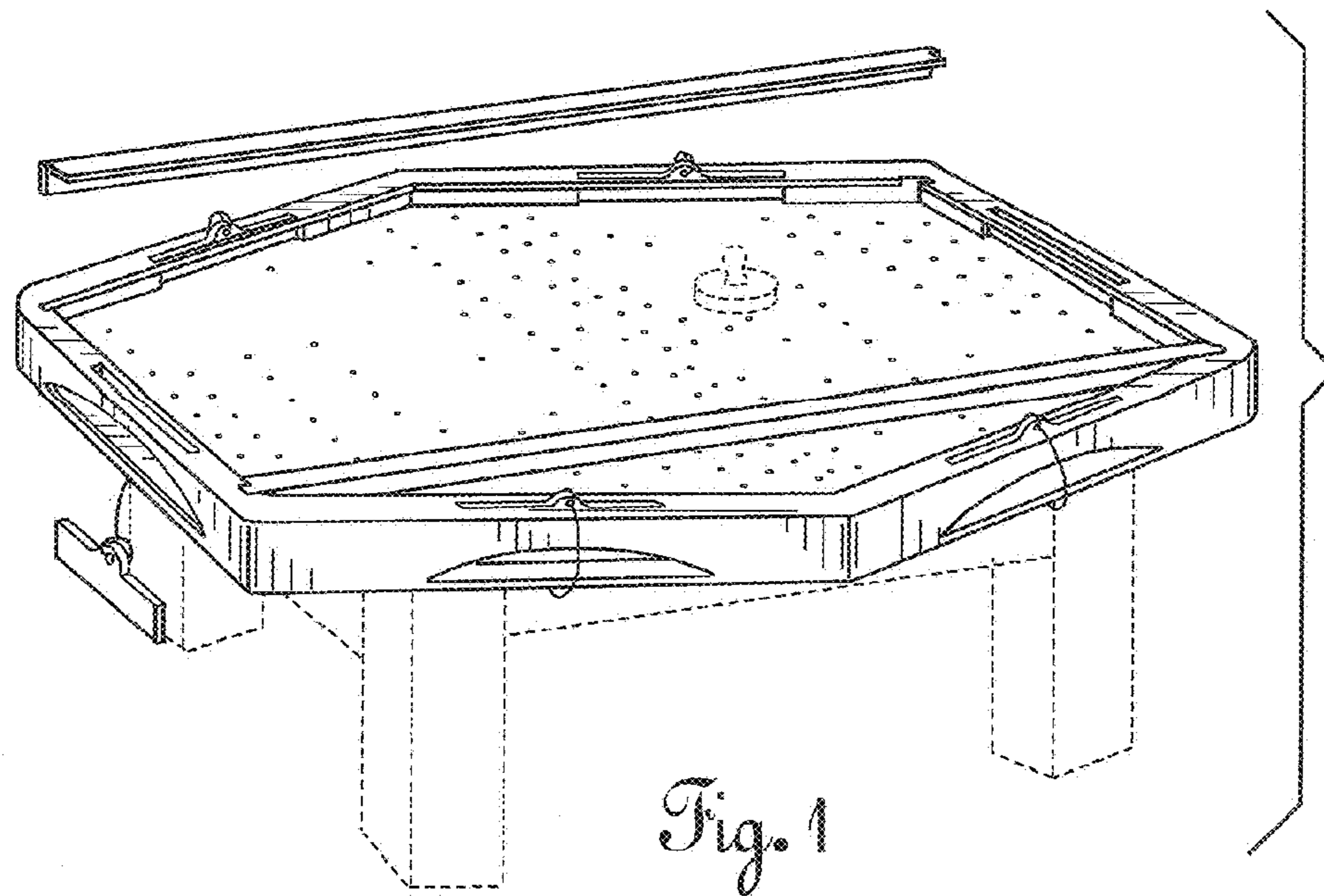
FIG. 4 is a front elevation view thereof, the rear elevation being a mirror image thereof; and,

FIG. 5 is an exploded perspective view thereof.

The broken lines showing of table legs indicate disclaimed portions and form no part of the claimed design. It is understood that the small holes on the top surface, which are shown partially and repeated throughout the whole top surface.

1 Claim, 3 Drawing Sheets





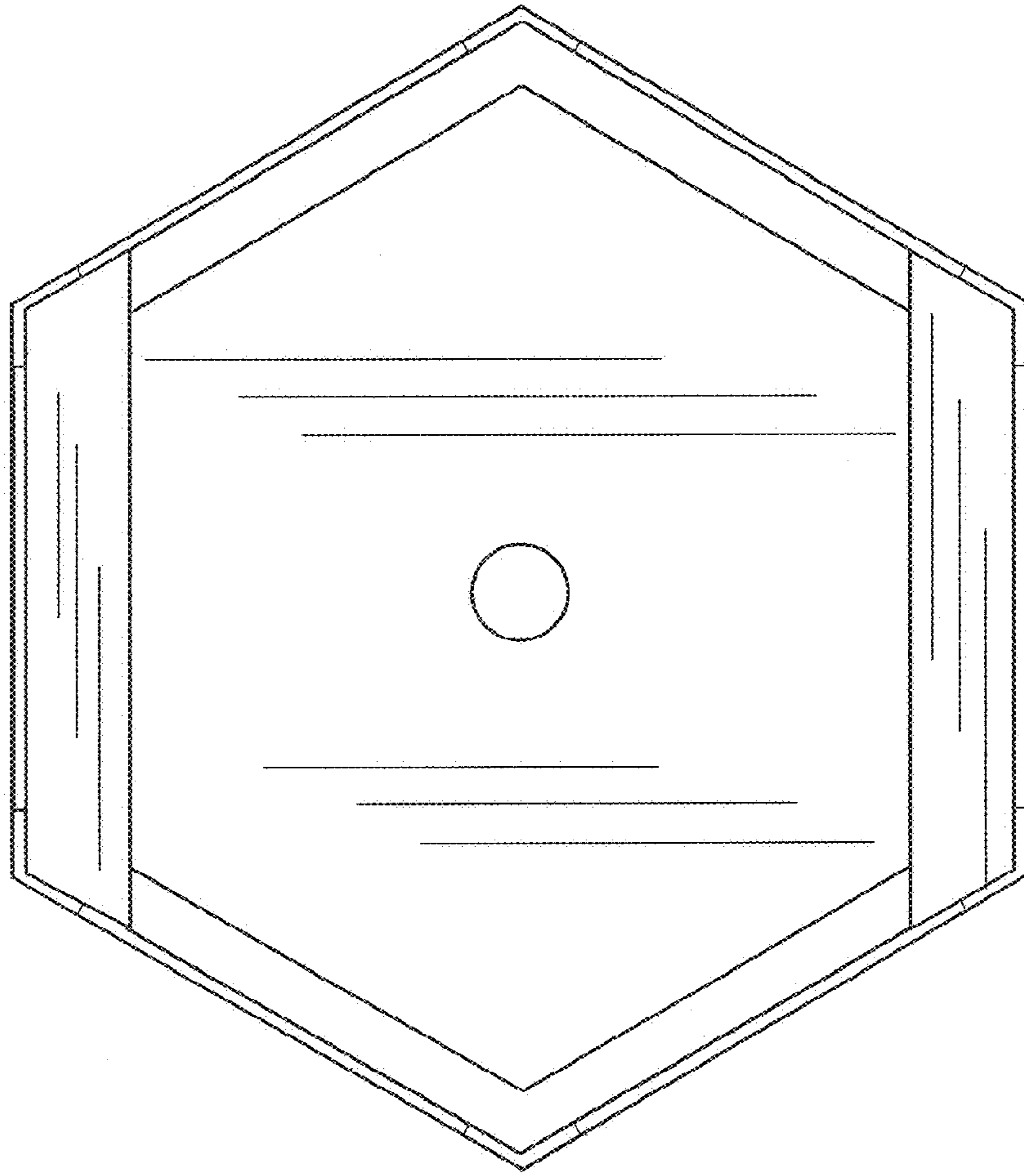


Fig. 3

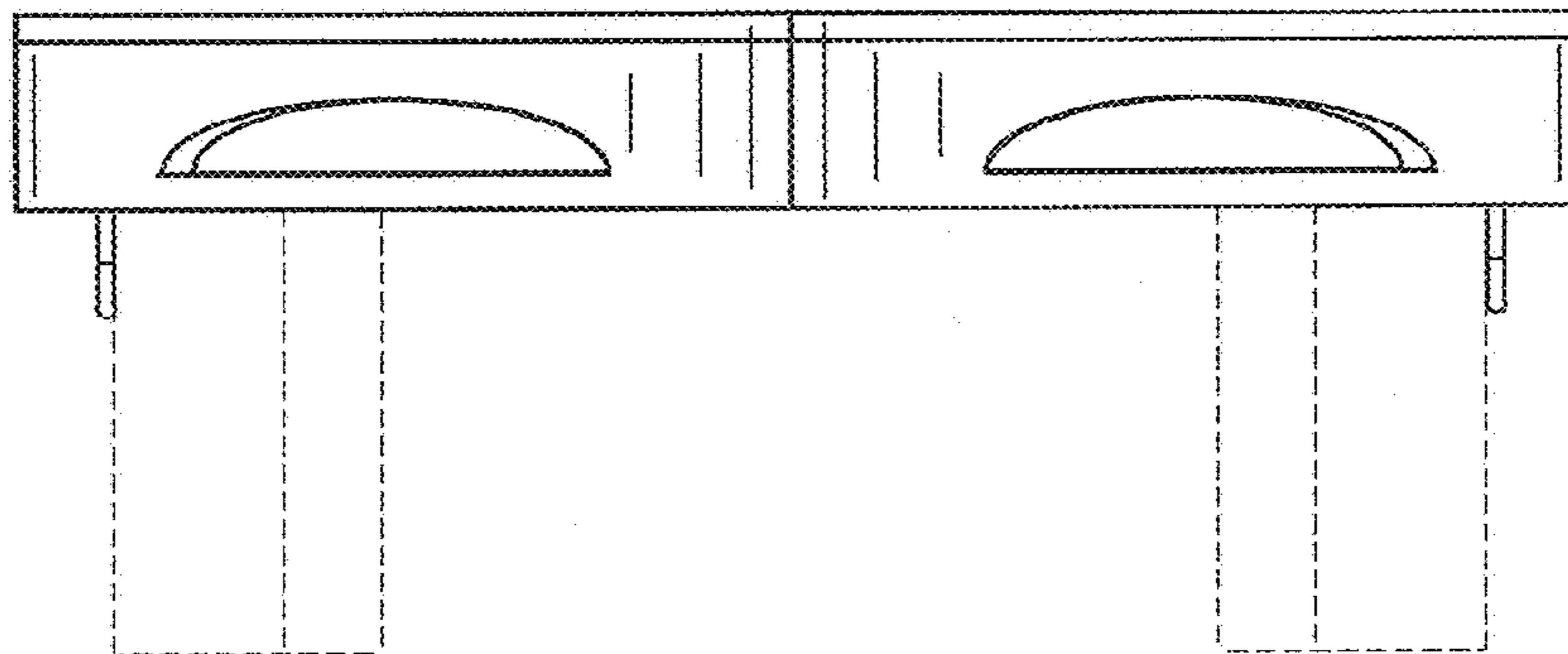


Fig. 4

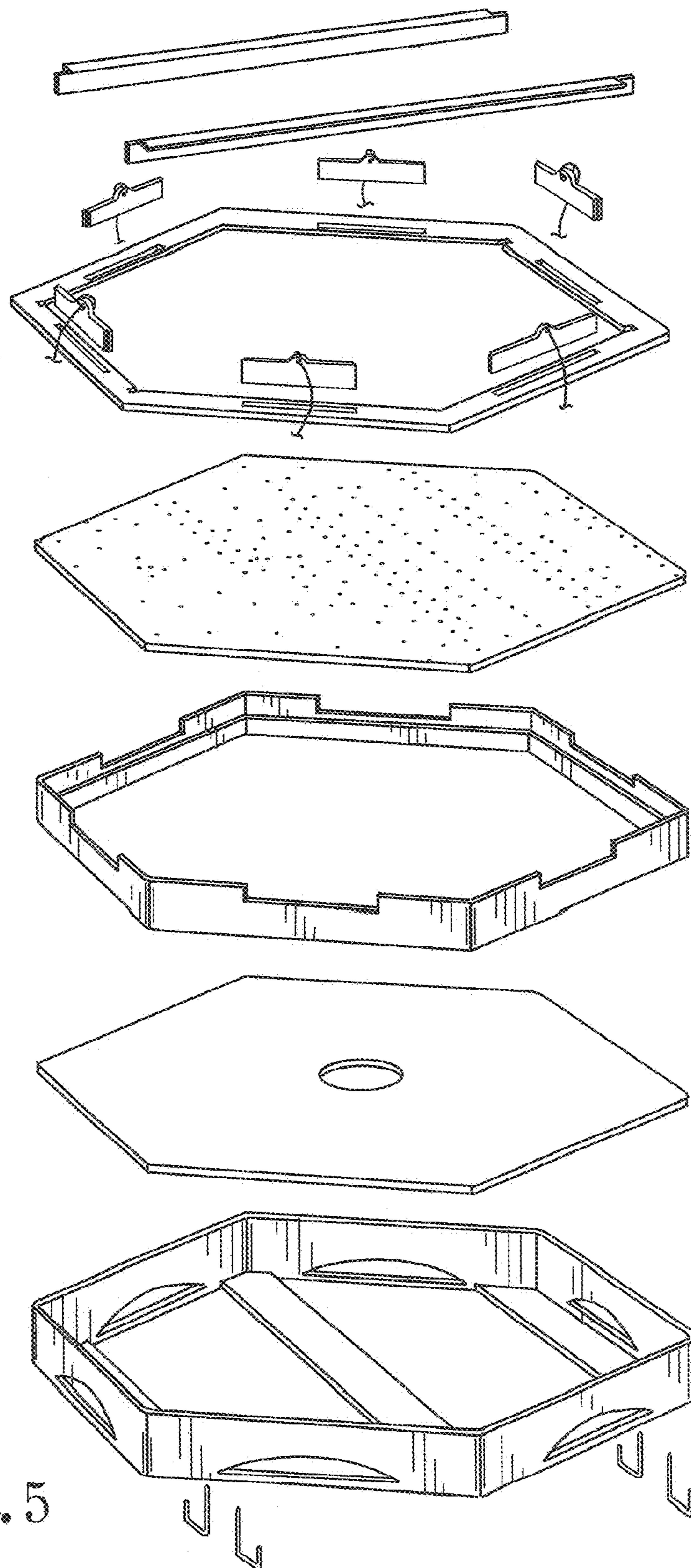


Fig. 5