



US00D707295S

(12) **United States Design Patent**
Kurmlavage et al.

(10) **Patent No.:** **US D707,295 S**
(45) **Date of Patent:** **** Jun. 17, 2014**

(54) **ROLLER SIGN THIMBLE WITH SIGN**

(75) Inventors: **Michael M. Kurmlavage**, Lansdowne, PA (US); **Jeremy Leeds-Frank**, Plymouth, MA (US); **Ronald McIntyre**, Boyertown, PA (US)

(73) Assignee: **Spirit Specialty Solutions, Inc.**, Lansdowne, PA (US)

(**) Term: **14 Years**

(21) Appl. No.: **29/395,857**

(22) Filed: **Apr. 12, 2012**

(51) **LOC (10) Cl.** **20-03**

(52) **U.S. Cl.**
USPC **D20/10; D20/43**

(58) **Field of Classification Search**
USPC D20/10, 19, 21, 39, 43, 44, 99; 40/309, 40/446, 493, 506, 538-540, 606.01, 40/607.01, 607.03, 611.06, 637, 642.01, 40/642.02, 645, 647-654, 654.01, 655, 40/657-661, 661.01-661.03, 40/661.05-661.07, 661.09, 661.11; D8/349, 354, 382, 399; D9/456; 225/42; 368/281; 345/1.1, 30; 406/189

See application file for complete search history.

(56) **References Cited**

U.S. PATENT DOCUMENTS

RE7,060 E * 4/1876 Hall, Jr. et al. 40/309
1,555,219 A * 9/1925 Kimball 40/539
3,093,278 A * 6/1963 Gottly 225/42

6,269,570 B1 * 8/2001 Miles 40/607.03
D523,328 S * 6/2006 Ramos D8/382
D575,348 S * 8/2008 Tanaka D20/10
7,460,085 B2 * 12/2008 Ishii 345/1.1
D613,600 S * 4/2010 David D9/456
8,112,920 B2 * 2/2012 Fenton 40/506
2005/0174302 A1 * 8/2005 Ishii 345/30
2007/0033847 A1 * 2/2007 Tanaka 40/661.05

* cited by examiner

Primary Examiner — Mary Ann Calabrese

(74) *Attorney, Agent, or Firm* — Robert B. Famiglio; Famiglio & Associates

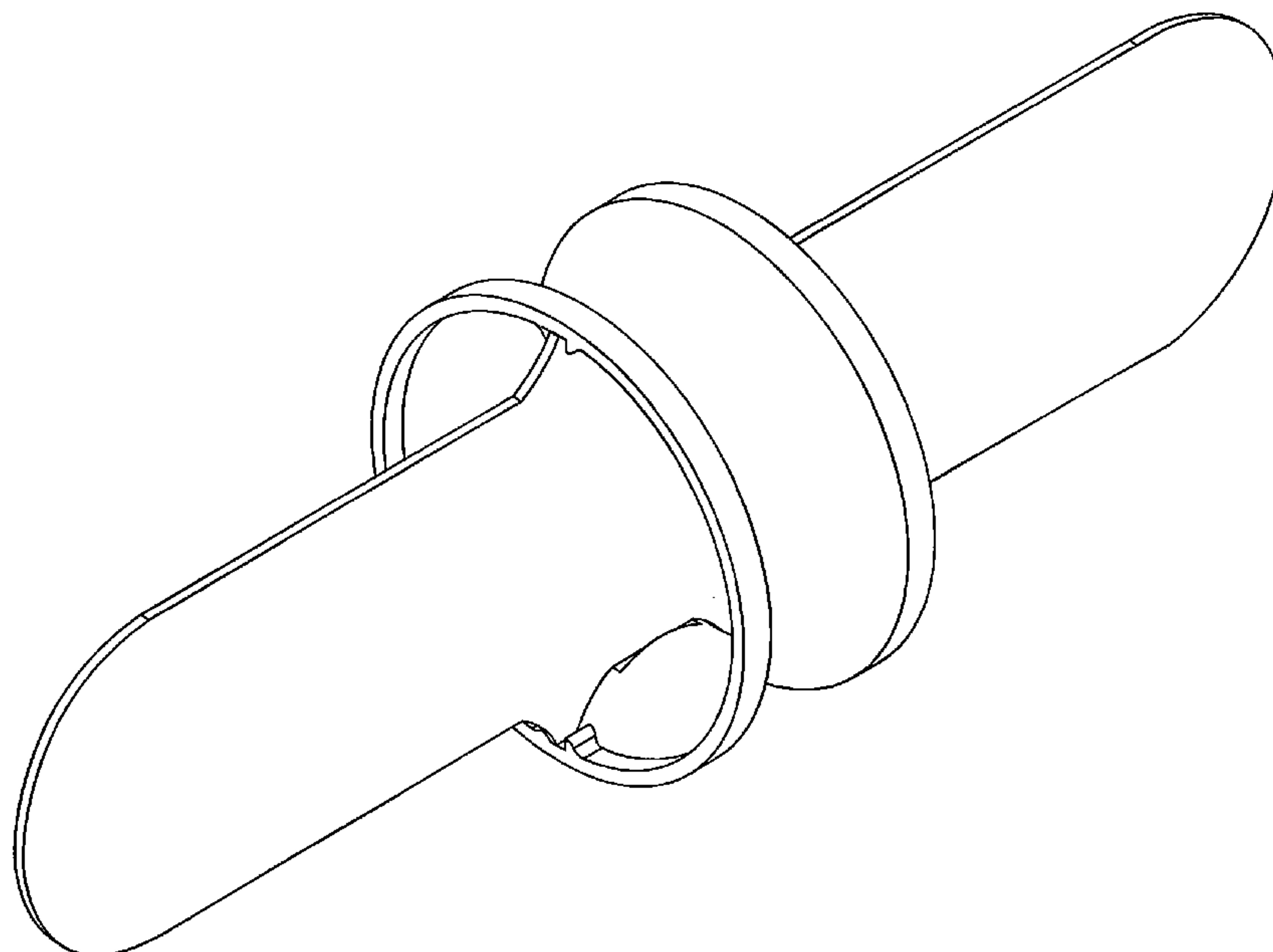
(57) **CLAIM**

The ornamental design for a roller sign thimble with sign, as shown and described.

DESCRIPTION

FIG. 1 is a perspective view of a roller sign thimble showing our new design without the sign inserted to provide clarity; FIG. 2 is a left side view of the thimble without the sign inserted to provide clarity thereof, the right side view is identical; FIG. 3 is a top plan view of the thimble without the sign inserted to provide clarity thereof, the bottom view is identical; FIG. 4 is a top plan view of FIG. 7, the bottom plan view is identical with a sign attached therein; FIG. 5 is a front view of FIG. 7, the back view is identical with a sign attached therein; FIG. 6 is a left side view of FIG. 4, the right side view is identical with a sign attached therein; and, FIG. 7 is a perspective view of a roller sign thimble with a sign attached therein.

1 Claim, 4 Drawing Sheets



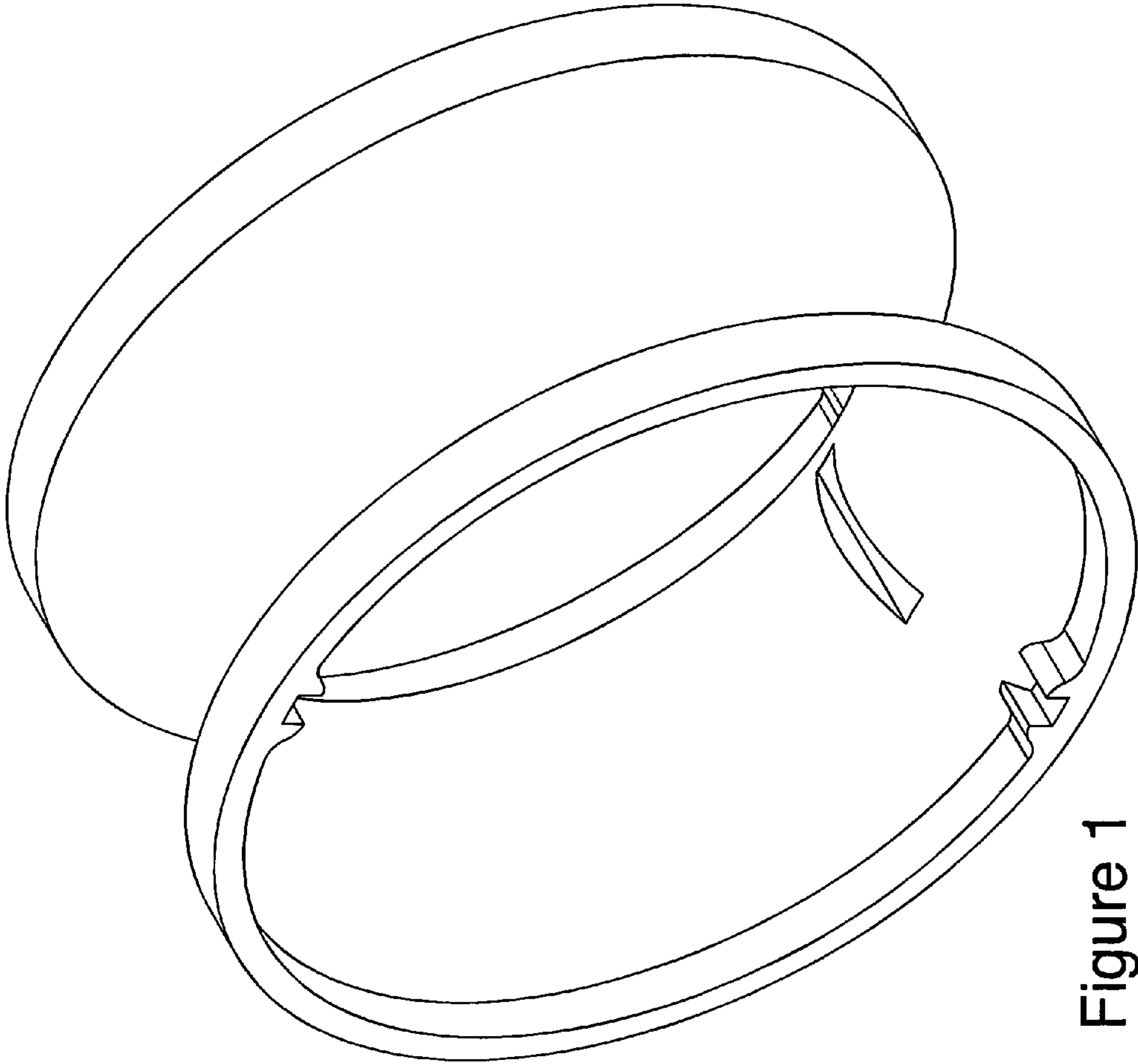


Figure 1

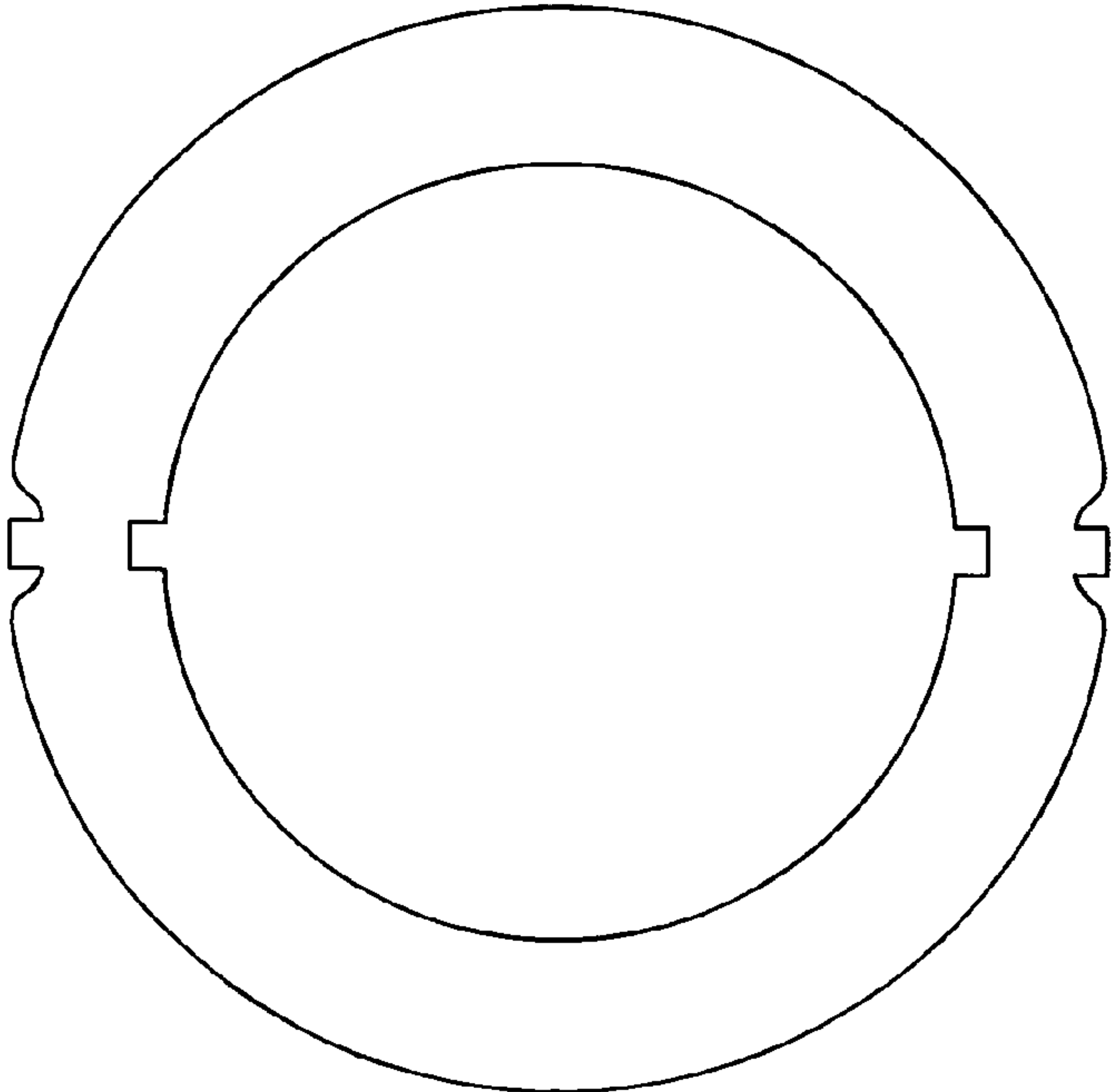


Figure 2

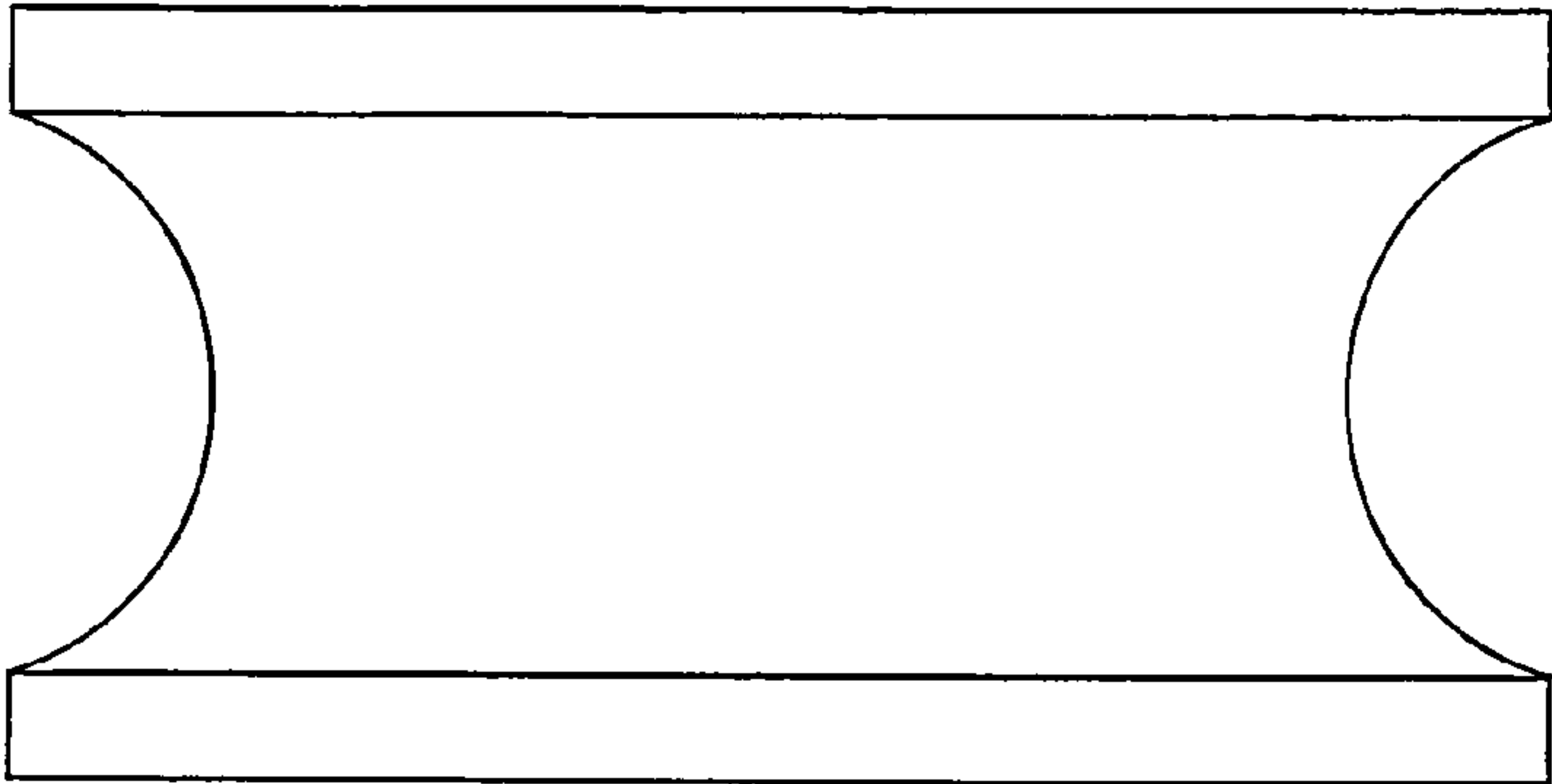


Figure 3

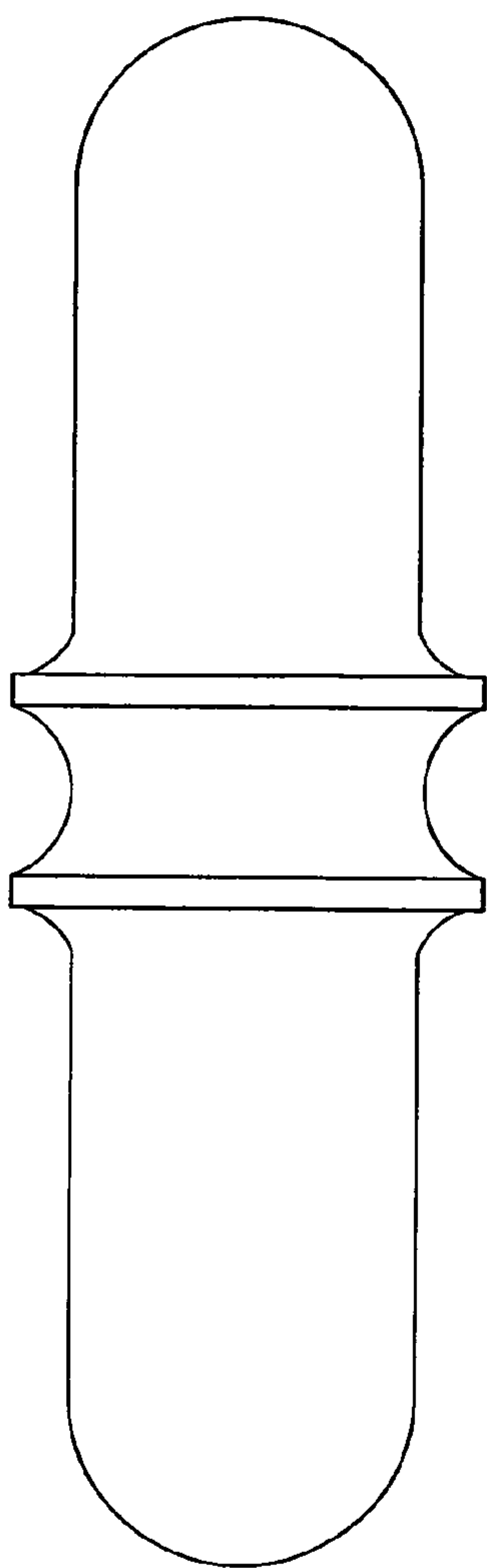


Figure 4

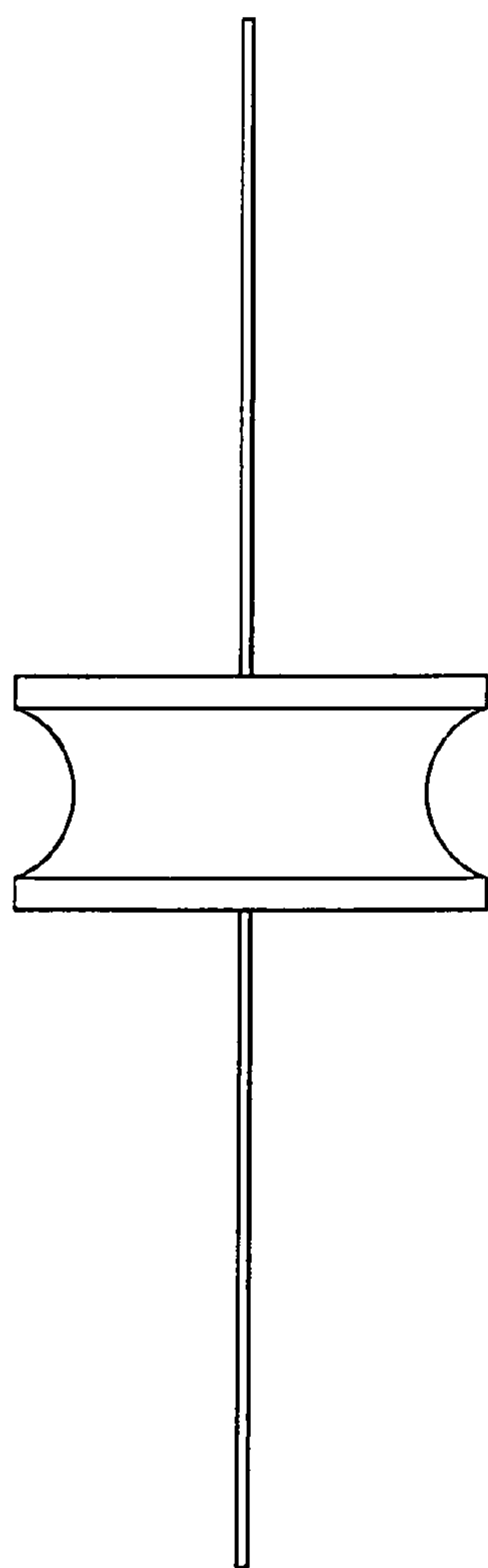


Figure 5

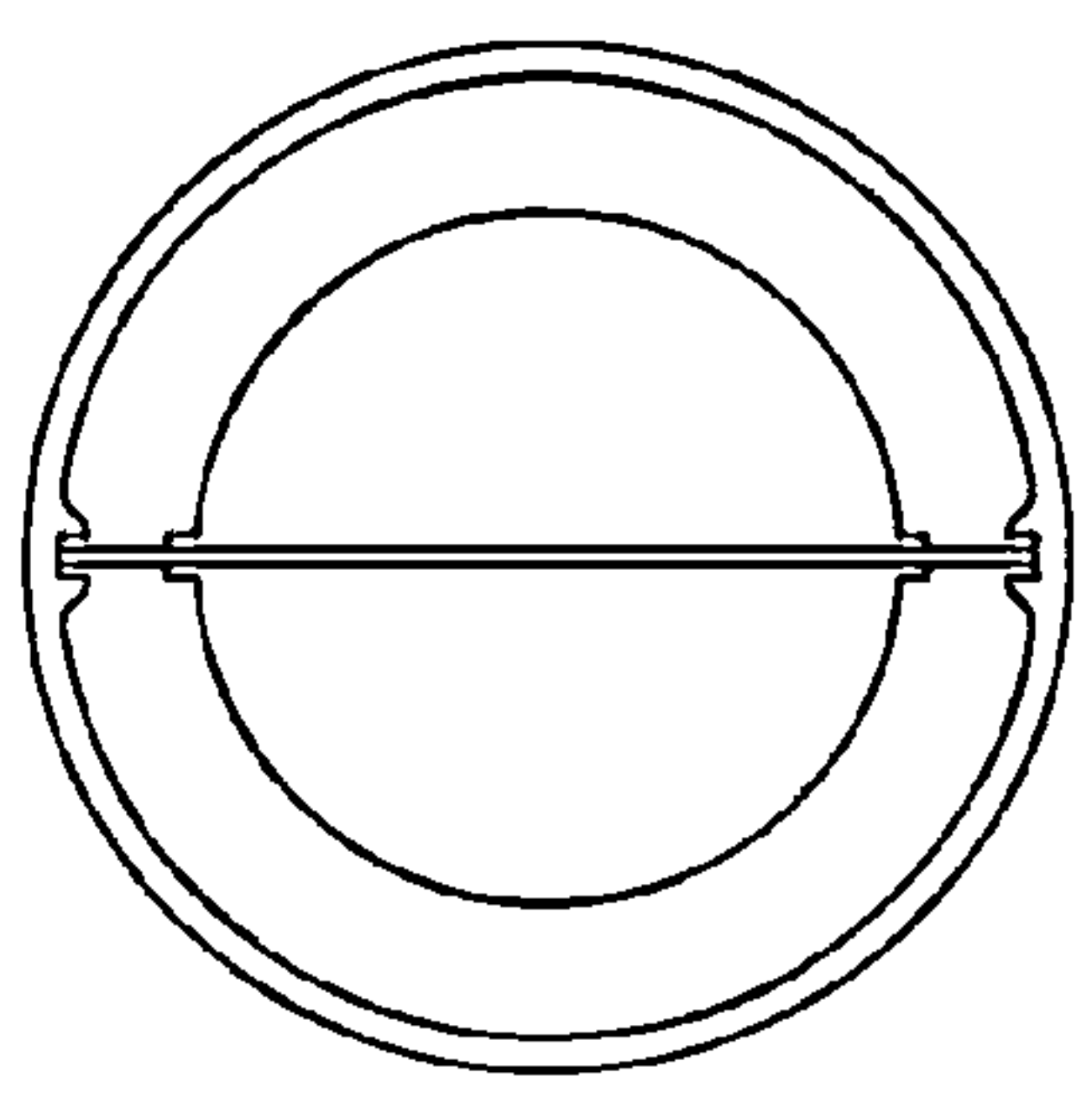


Figure 6

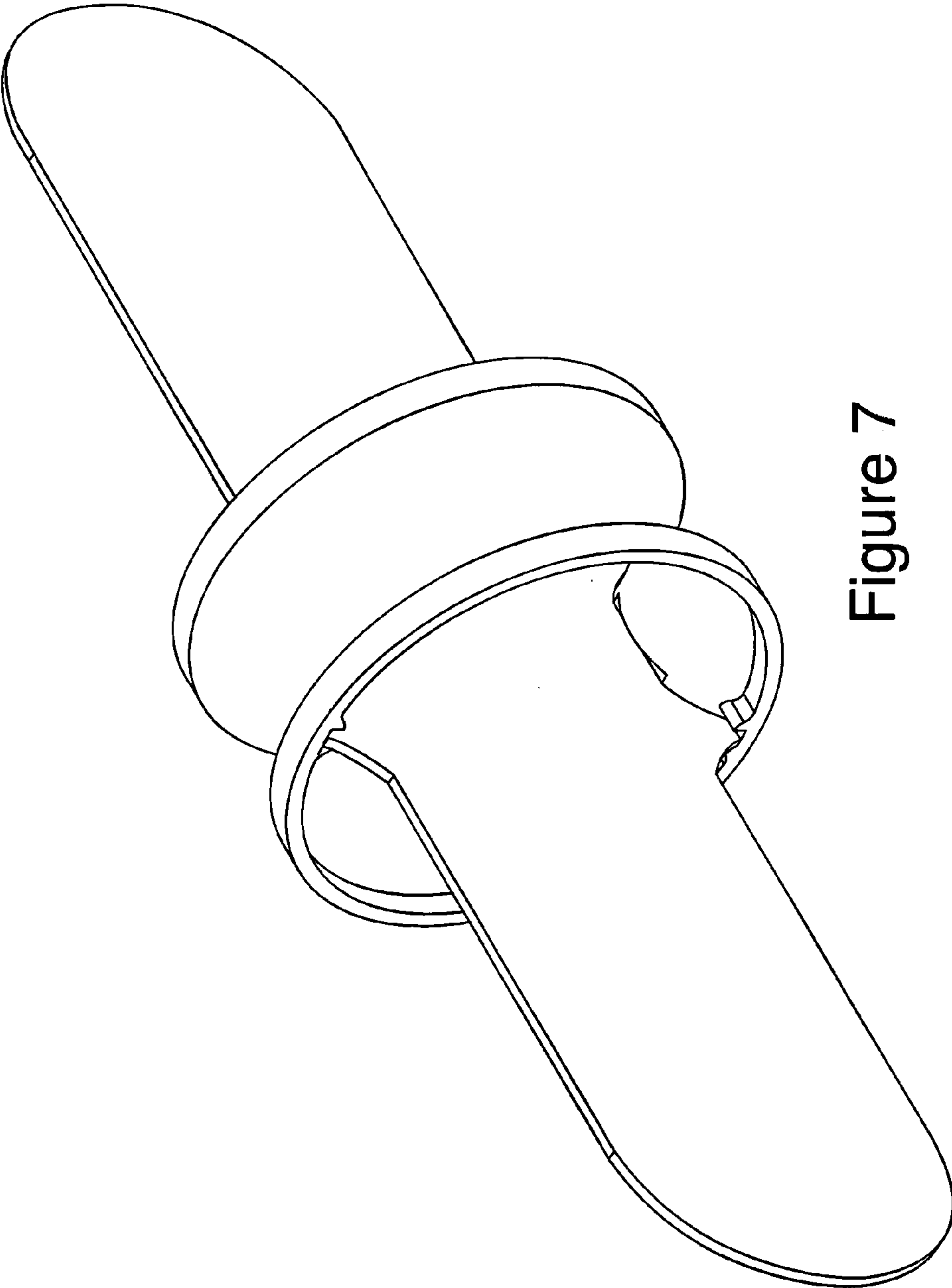


Figure 7