



US00D707293S

(12) **United States Design Patent**
Carey

(10) **Patent No.:** **US D707,293 S**
(45) **Date of Patent:** **** Jun. 17, 2014**

(54) **CHEVRON TAPE ROLL**
(71) Applicant: **Tavnir J. Carey**, West Jordan, UT (US)
(72) Inventor: **Tavnir J. Carey**, West Jordan, UT (US)
(73) Assignee: **We R, LLC**, Salt Lake City, UT (US)
(**) Term: **14 Years**

D379,048 S *	5/1997	Ros et al.	D6/634
D415,528 S *	10/1999	Mandar	D19/69
D416,942 S *	11/1999	Tsung	D19/75
D417,237 S *	11/1999	Packard et al.	D19/69
D469,813 S *	2/2003	Ho	D19/89
D470,181 S *	2/2003	Jour	D19/69
D486,520 S *	2/2004	Sherman et al.	D19/69
D492,356 S *	6/2004	Milliorn et al.	D19/69
D630,252 S *	1/2011	Abulaf	D19/69
D671,990 S *	12/2012	Kugimiya et al.	D19/69
D692,489 S *	10/2013	De Bellis et al.	D19/86

(21) Appl. No.: **29/477,582**
(22) Filed: **Dec. 23, 2013**
(51) **LOC (10) Cl.** **19-02**
(52) **U.S. Cl.**
USPC **D19/69**
(58) **Field of Classification Search**
USPC D19/70, 69, 36, 68; 242/588.6, 588.2;
225/77, 6, 56, 39, 26, 25, 19, 11;
206/411; 156/577, 527, 523
See application file for complete search history.

* cited by examiner
Primary Examiner — Austin Murphy
(74) *Attorney, Agent, or Firm* — Jeffrey M. Lillywhite, PC

(56) **References Cited**

U.S. PATENT DOCUMENTS

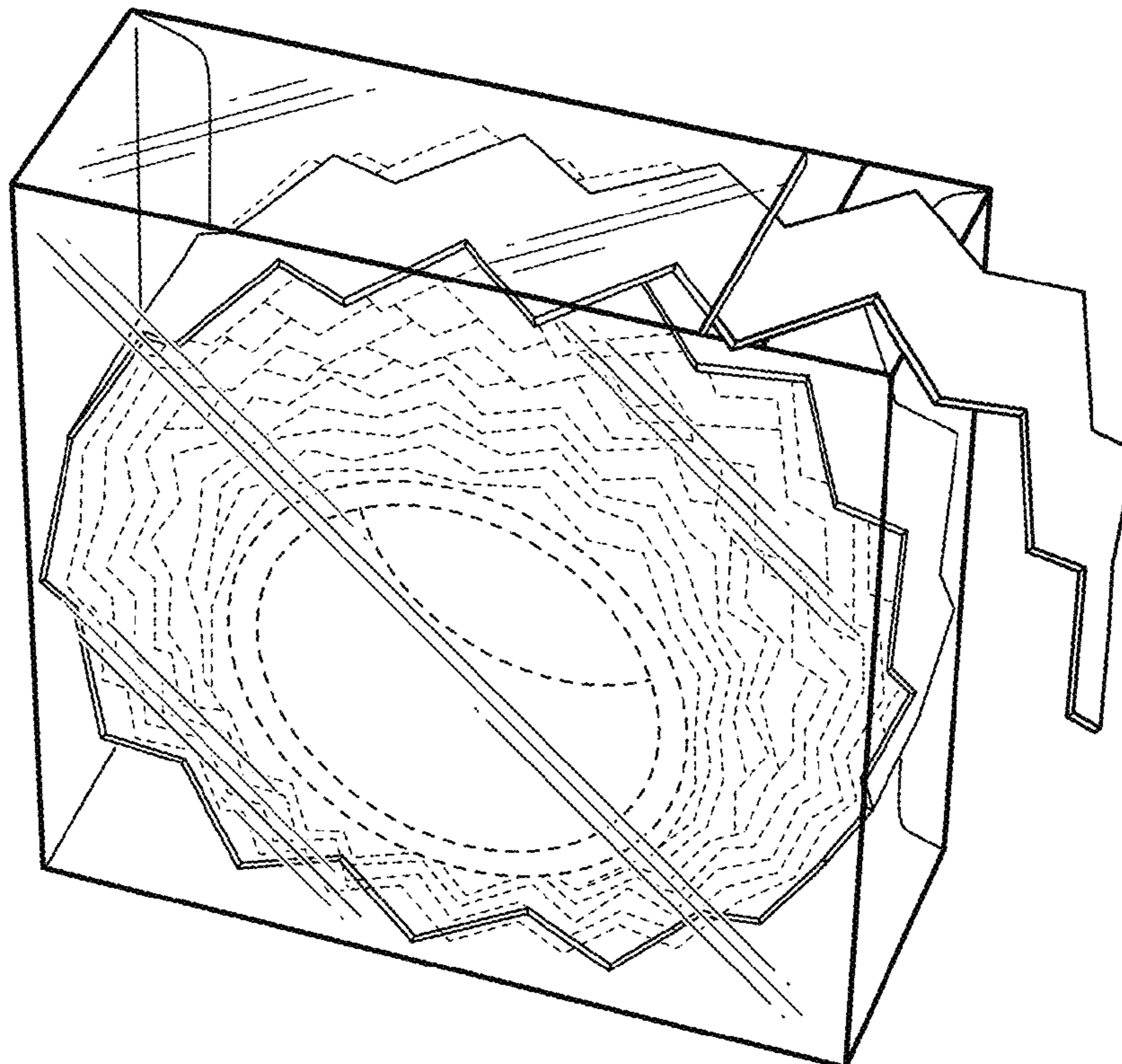
2,414,333 A *	1/1947	Schieman	225/66
D175,066 S *	7/1955	Emmert	D19/69
3,102,671 A *	9/1963	Gershen	225/43
D197,496 S *	2/1964	Kusek	D19/69
4,817,798 A *	4/1989	Huang	206/411

(57) **CLAIM**
The ornamental design for a chevron tape roll, as shown and described.

DESCRIPTION

FIG. 1 is a first perspective view of a chevron tape roll of my new design;
FIG. 2 is a front view thereof;
FIG. 3 is a rear view thereof;
FIG. 4 is a first side view thereof;
FIG. 5 is a second side view thereof;
FIG. 6 is a top side view thereof; and,
FIG. 7 is a bottom side view thereof.
The broken lines shown in the drawings represent portions of the chevron tape roll that form no part of the claimed design.

1 Claim, 2 Drawing Sheets



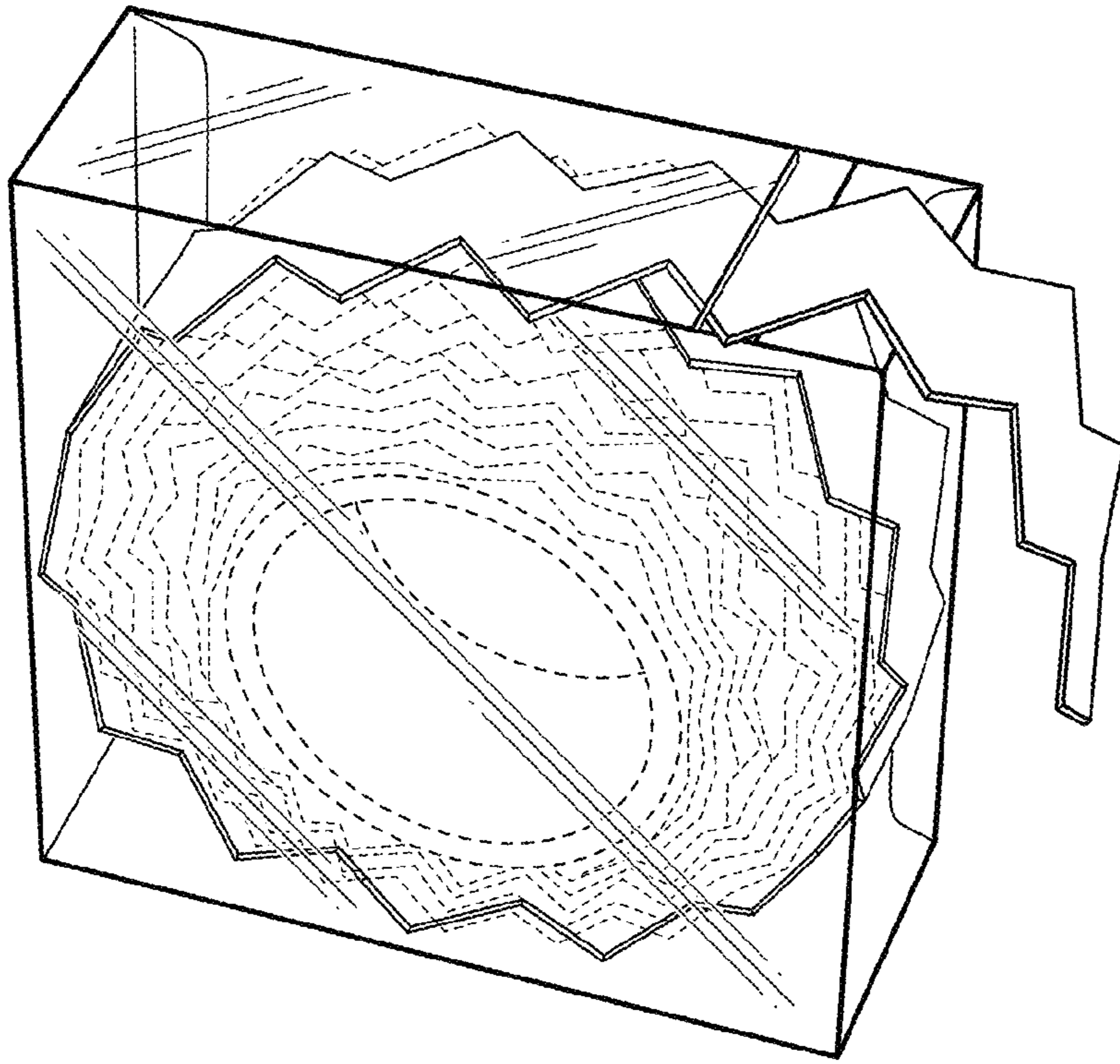


FIG. 1

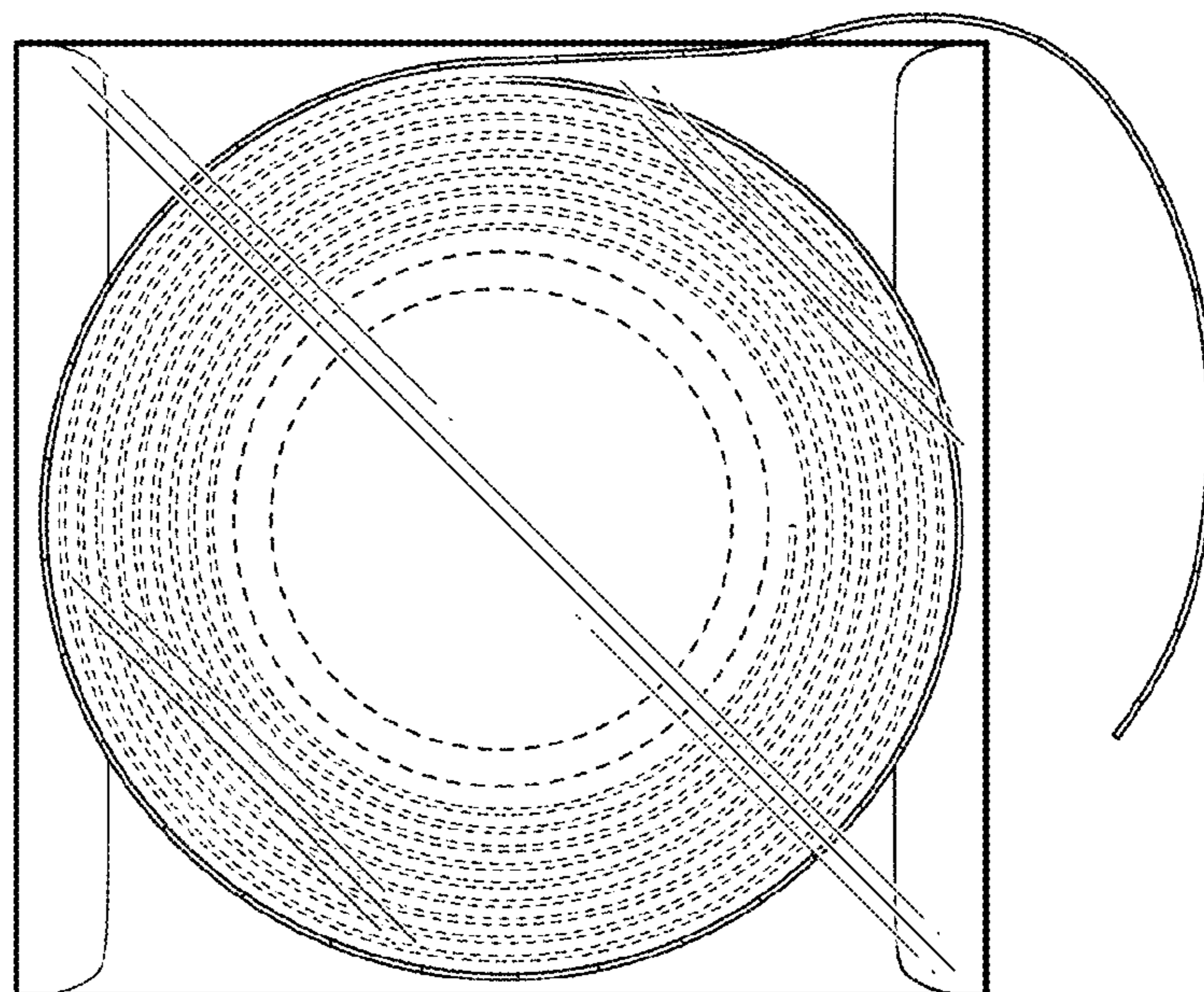


FIG. 2

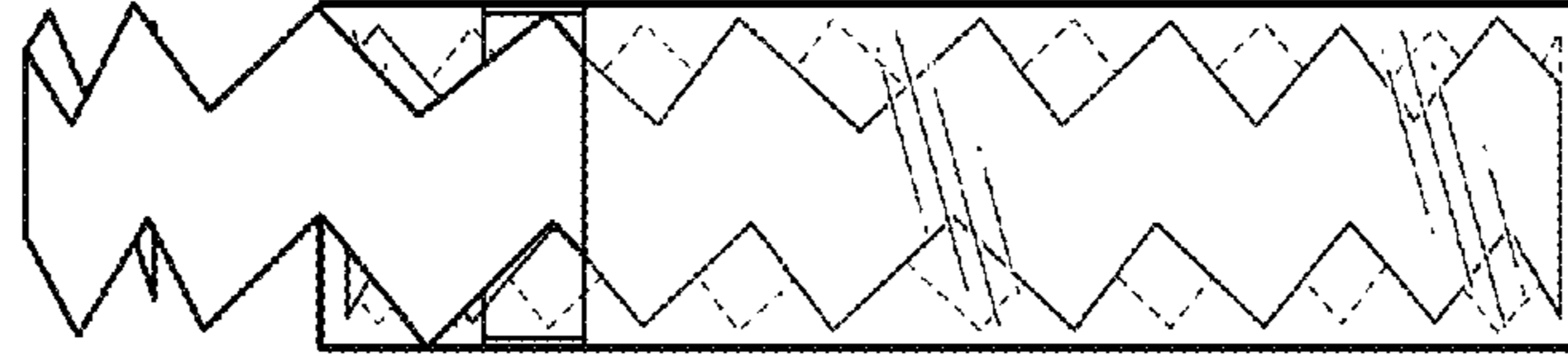


FIG. 6

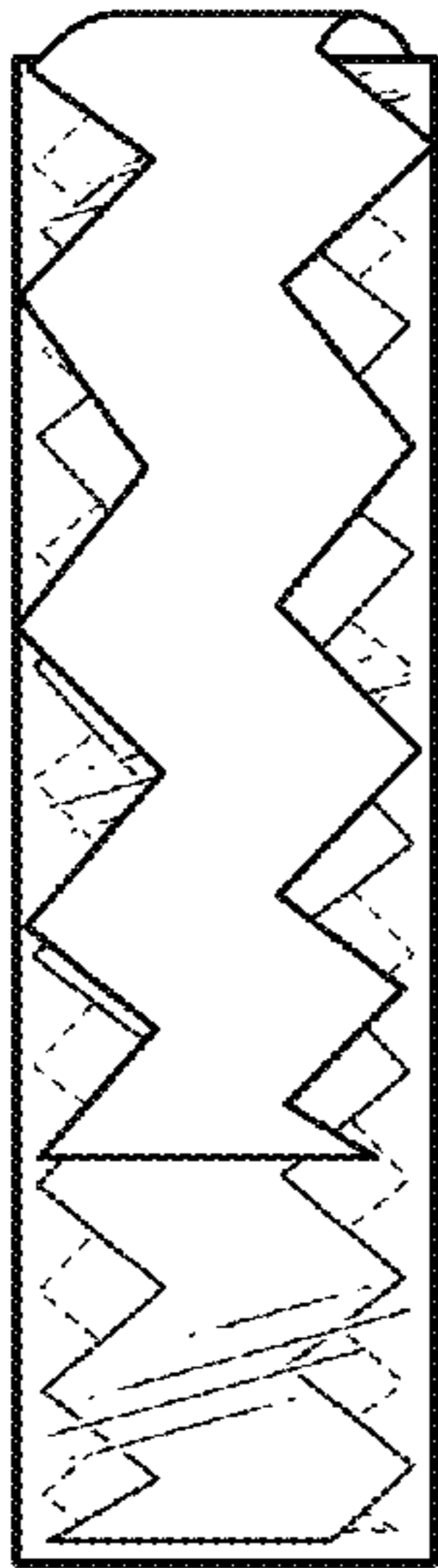


FIG. 4

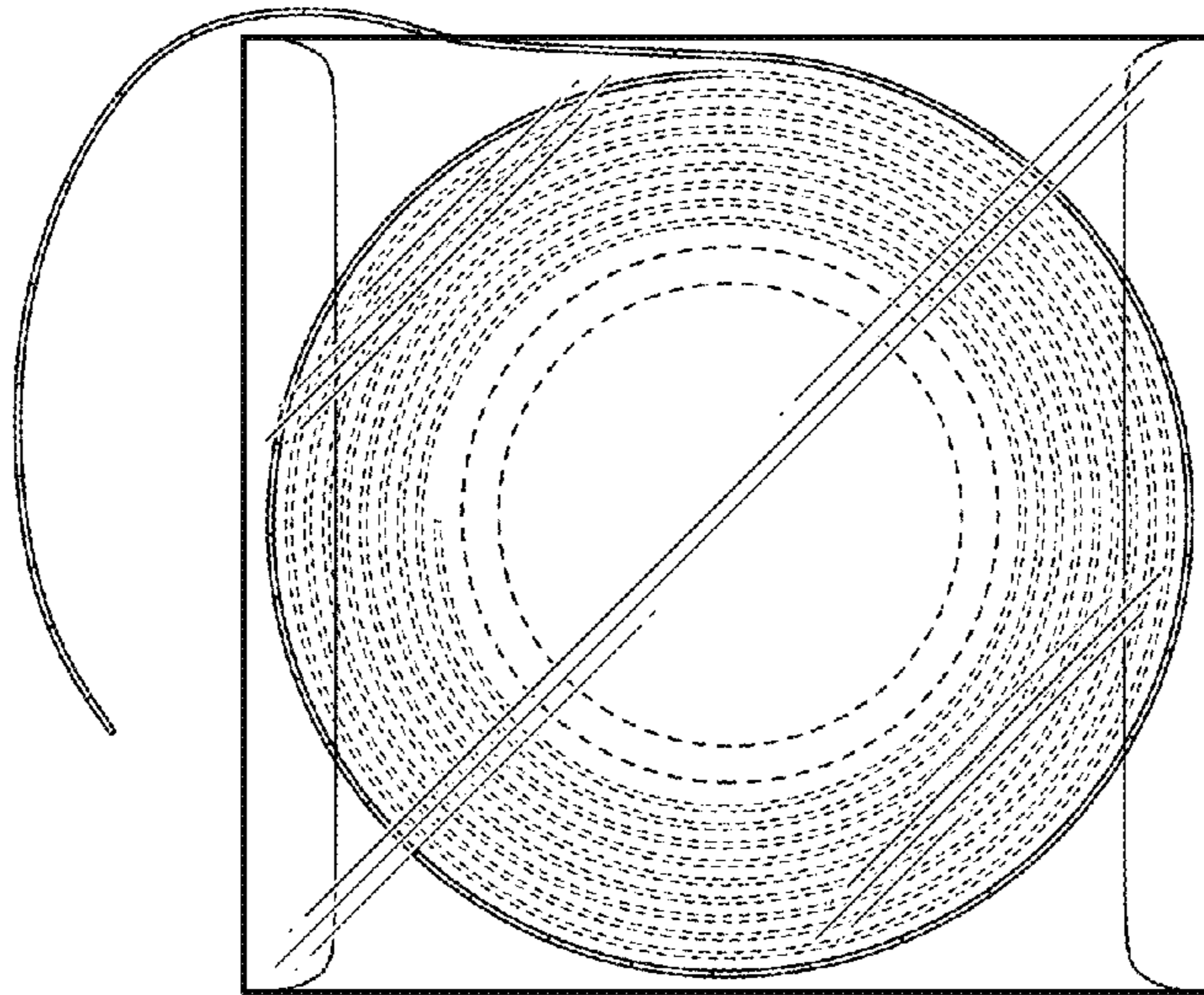


FIG. 3

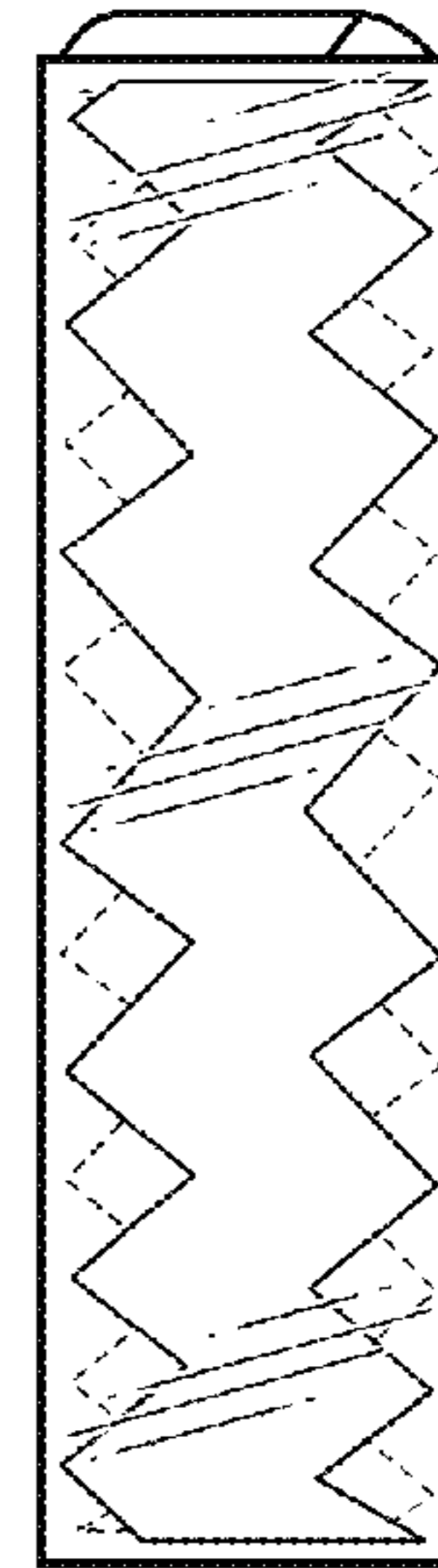


FIG. 5

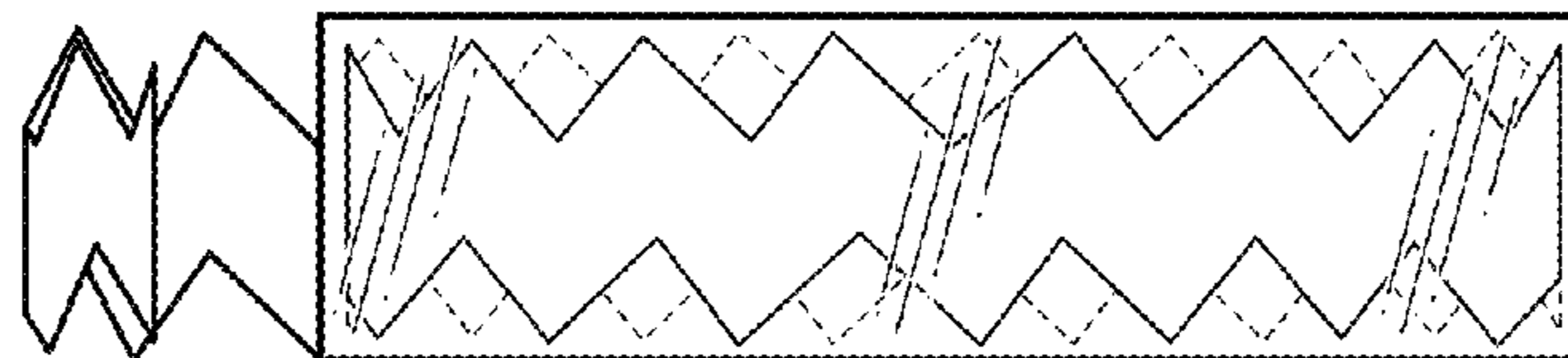


FIG. 7