



US00D707290S

(12) **United States Design Patent**
Harvey et al.

(10) **Patent No.:** **US D707,290 S**
(45) **Date of Patent:** **** Jun. 17, 2014**

(54) **INK CARTRIDGE**

(75) Inventors: **David C Harvey**, Portland, OR (US);
David Olsen, Corvallis, OR (US); **Ralph L Stathem**, Lebanon, OR (US)

(73) Assignee: **Hewlett-Packard Development Company, L.P.**, Houston, TX (US)

(**) Term: **14 Years**

(21) Appl. No.: **29/402,495**

(22) Filed: **Sep. 23, 2011**

(51) **LOC (10) Cl.** **18-02**

(52) **U.S. Cl.**
USPC **D18/56**

(58) **Field of Classification Search**
USPC D18/12, 40, 43, 56; 347/86-67
See application file for complete search history.

(56) **References Cited**

U.S. PATENT DOCUMENTS

6,155,678	A	12/2000	Komplin et al.	
6,435,662	B2	8/2002	Kline et al.	
D464,672	S *	10/2002	Shinano et al.	D18/56
D489,757	S *	5/2004	Matsumoto	D18/56
6,955,422	B2	10/2005	Miyazawa et al.	
7,018,027	B2	3/2006	Harada et al.	
7,125,108	B2	10/2006	Toba et al.	
D549,280	S	8/2007	Morino	
D556,258	S	11/2007	Morino	
D585,090	S	1/2009	Ishizawa	
7,506,973	B2	3/2009	Steinmetz et al.	
7,552,997	B2	6/2009	Suzuki et al.	
D598,050	S *	8/2009	Nozawa	D18/56
D611,532	S	3/2010	Nanjo et al.	
D656,183	S *	3/2012	Nanjo et al.	D18/56
D656,186	S *	3/2012	Oya et al.	D18/56
2005/0001888	A1	1/2005	Seino et al.	
2008/0165232	A1	7/2008	Yuen	
2008/0180495	A1	7/2008	Gonzales	
2009/0141103	A1	6/2009	Takagi	

FOREIGN PATENT DOCUMENTS

EP 1122078 8/2001

OTHER PUBLICATIONS

One (1) photograph of a brother LC110 Ink supply cartridge and shipping container, one (1) photograph comprising three Epson ink cartridges, models TO692, TO693, TO694, one (1) photograph of 170ml Canon LF aqueous supplies and shipping container, one (1) photograph of HP large format DesignJet cartridges and shipping container, all on two (2) pages. To the best of Applicant's knowledge, all of the products shown in the photographs were on sale in the United States more than one year prior to the filing date of the present application.

* cited by examiner

Primary Examiner — Cathy A MacCormac

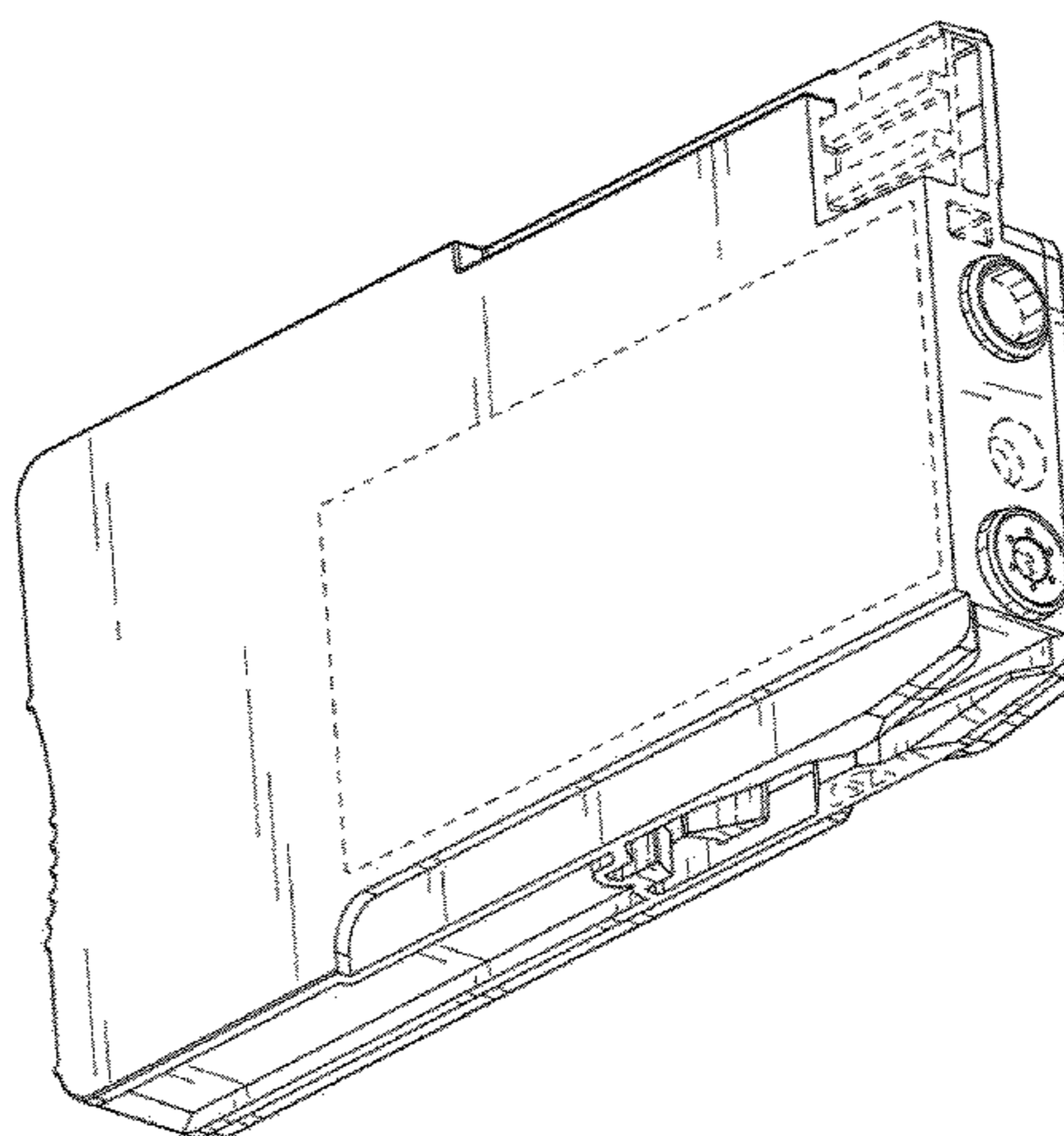
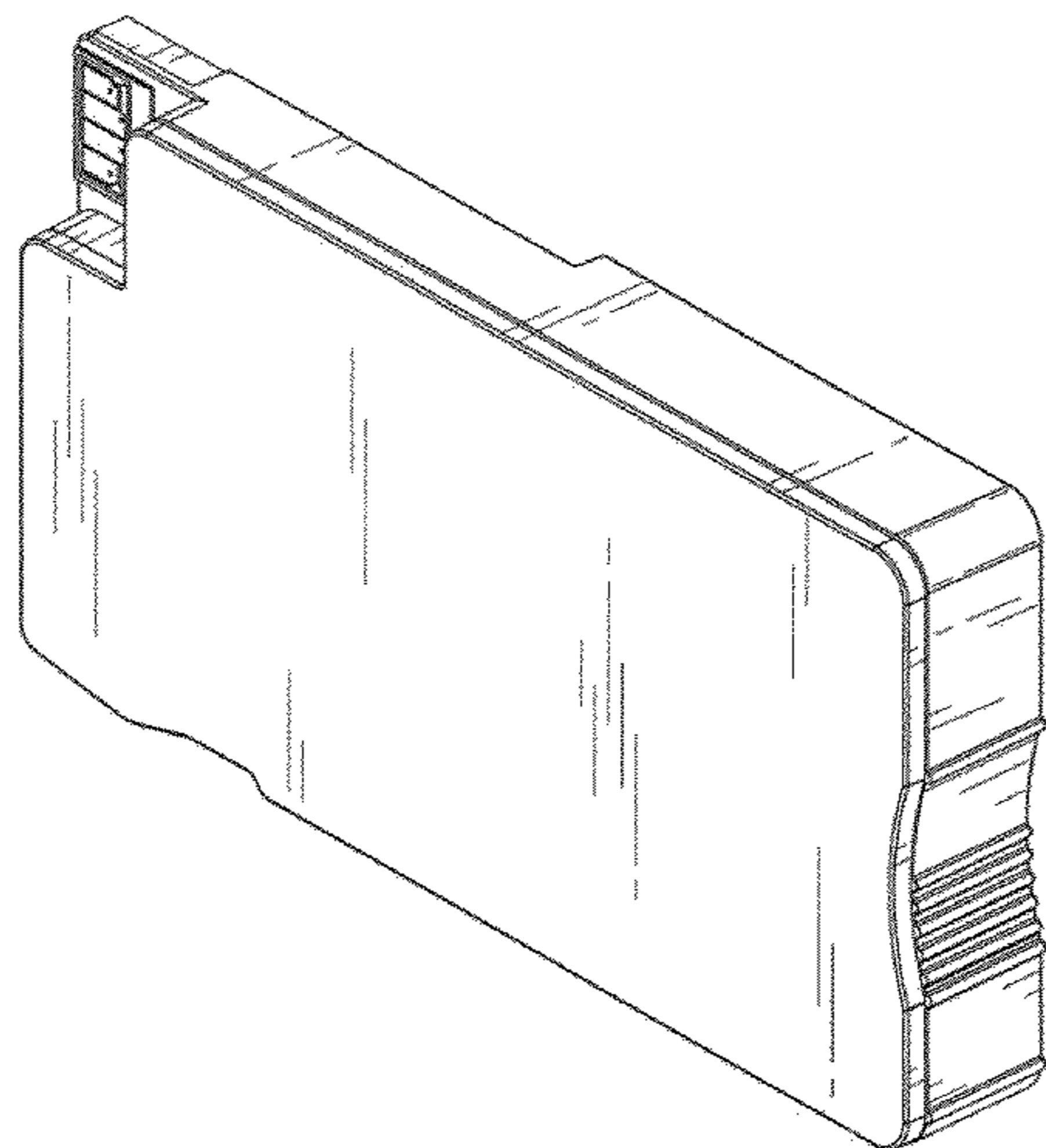
(57) **CLAIM**

The ornamental design for an ink cartridge, as shown and described herein.

DESCRIPTION

FIG. 1 is a front, top, and left side perspective view of an ink cartridge;
FIG. 2 is a rear, top, and right side perspective view thereof;
FIG. 3 is a rear, bottom, and right side perspective view thereof;
FIG. 4 is a another rear, bottom, and right side perspective view thereof;
FIG. 5 is a left side elevation view thereof;
FIG. 6 is a right side elevation view thereof;
FIG. 7 is a top plan view thereof;
FIG. 8 is a bottom plan view thereof;
FIG. 9 is a front elevation view thereof; and,
FIG. 10 is a rear elevation view thereof.
Those portions of the Figures shown in broken lines are included for environmental purposes only and form no part of the claimed design.

1 Claim, 6 Drawing Sheets



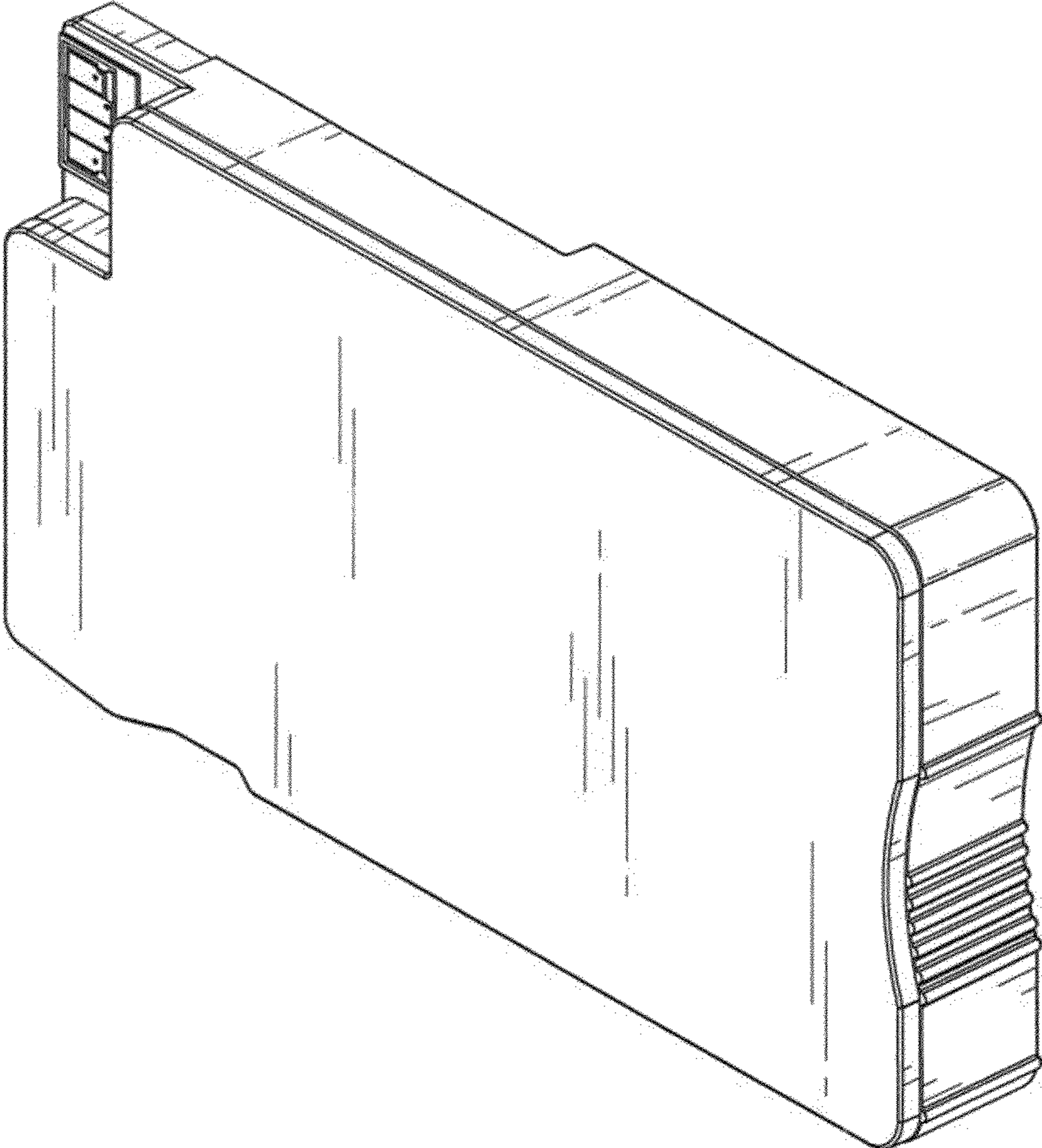


FIG. 1

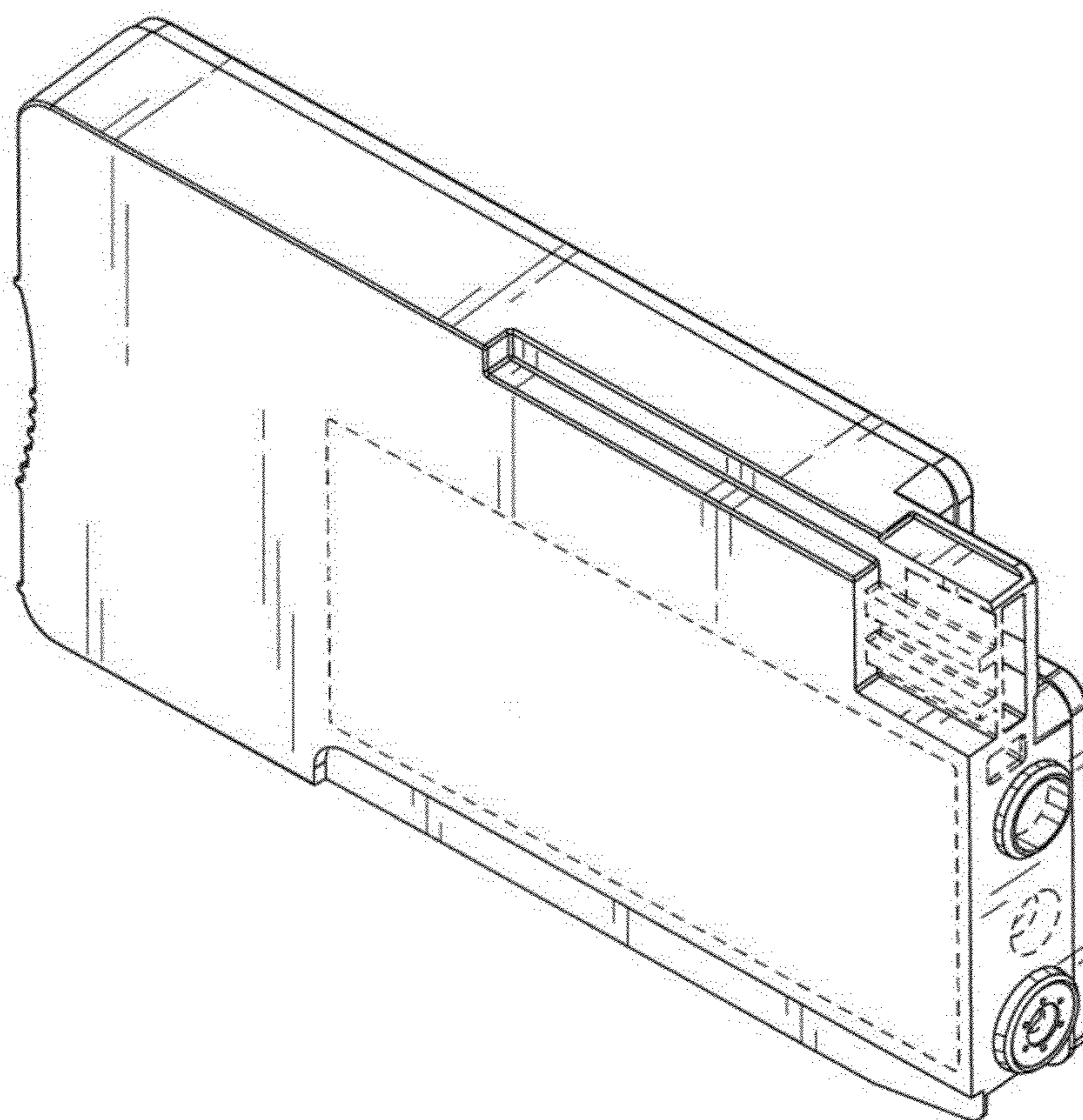


FIG. 2

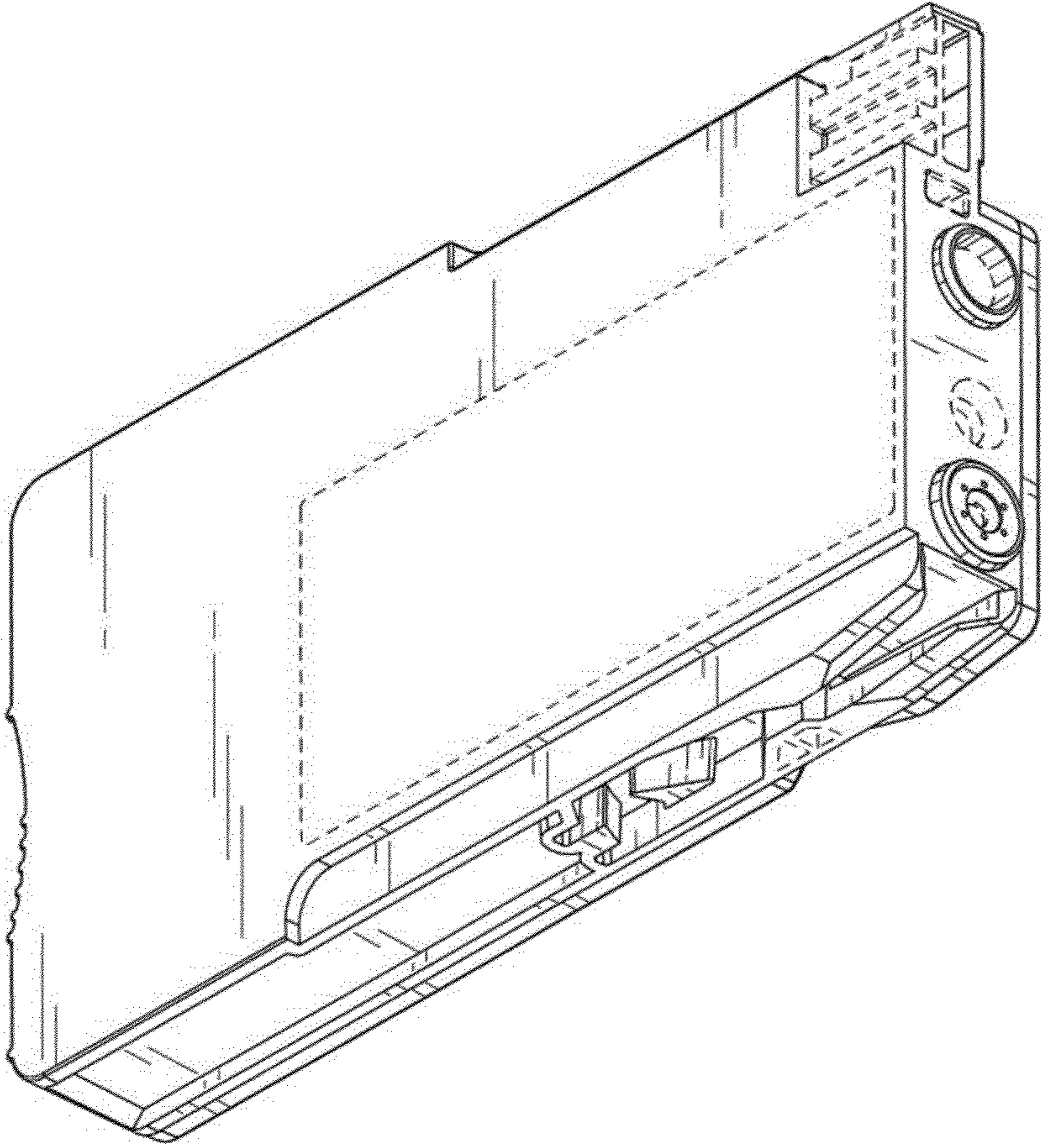


FIG. 3

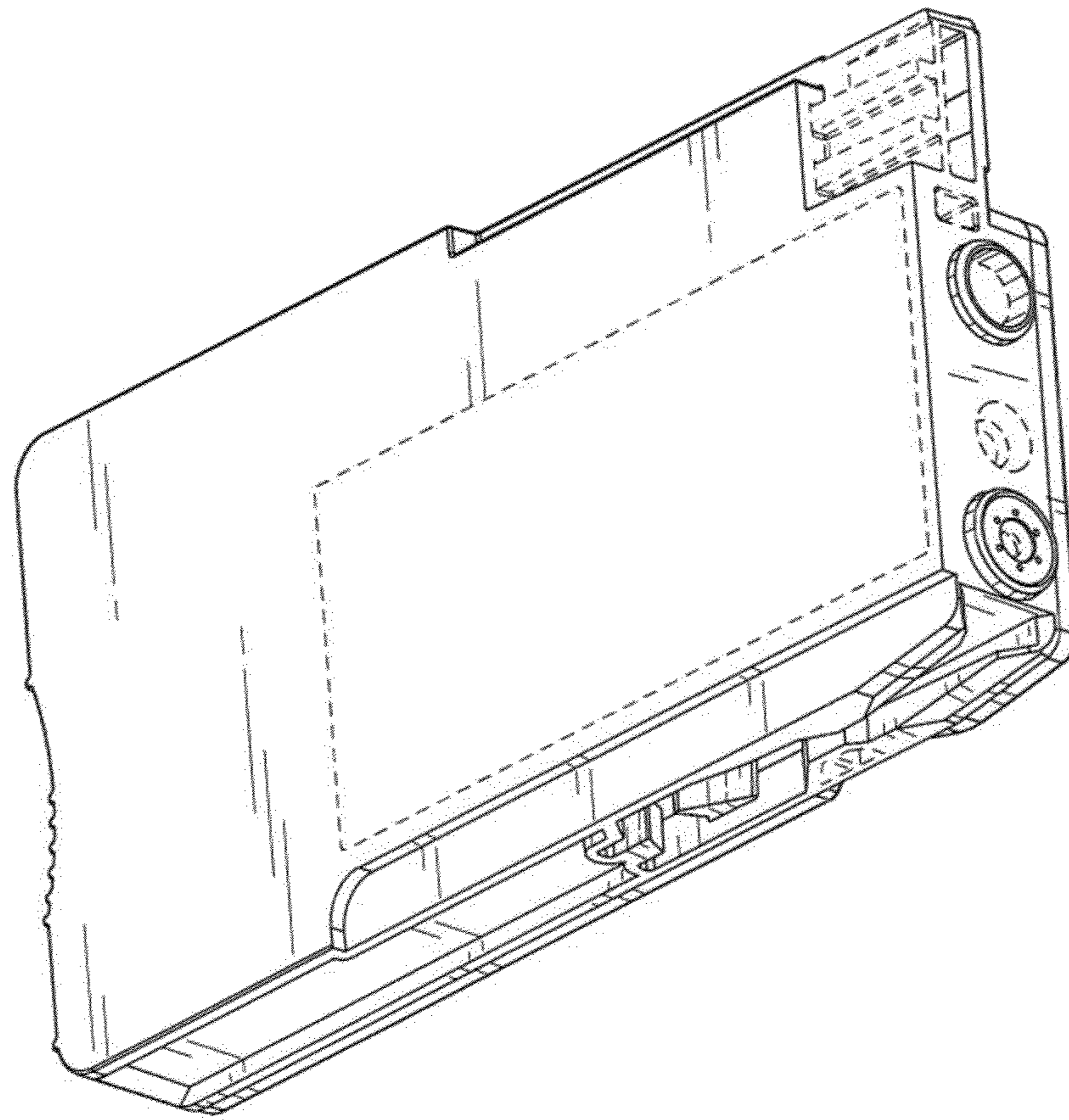


FIG. 4

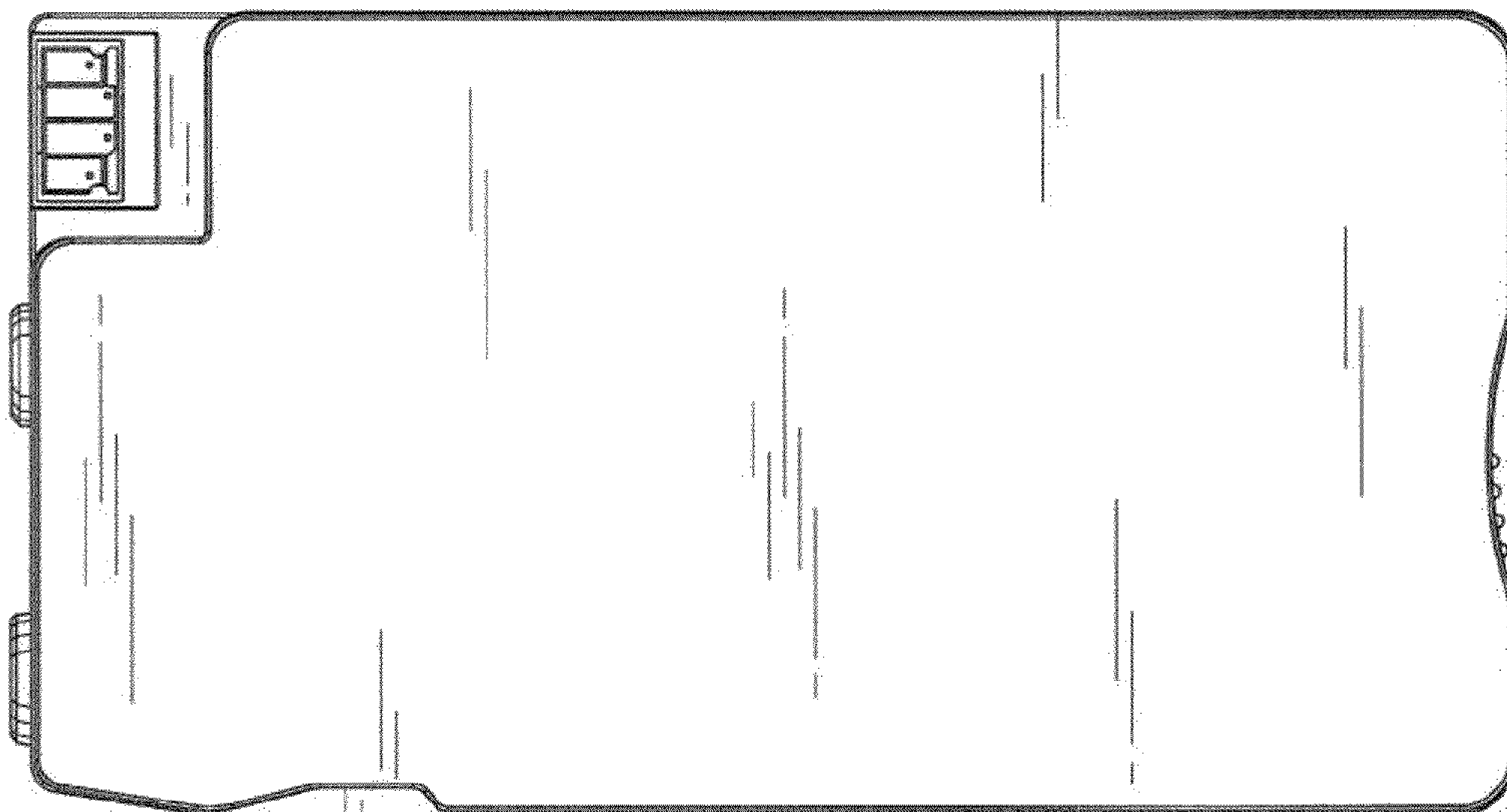


FIG. 5

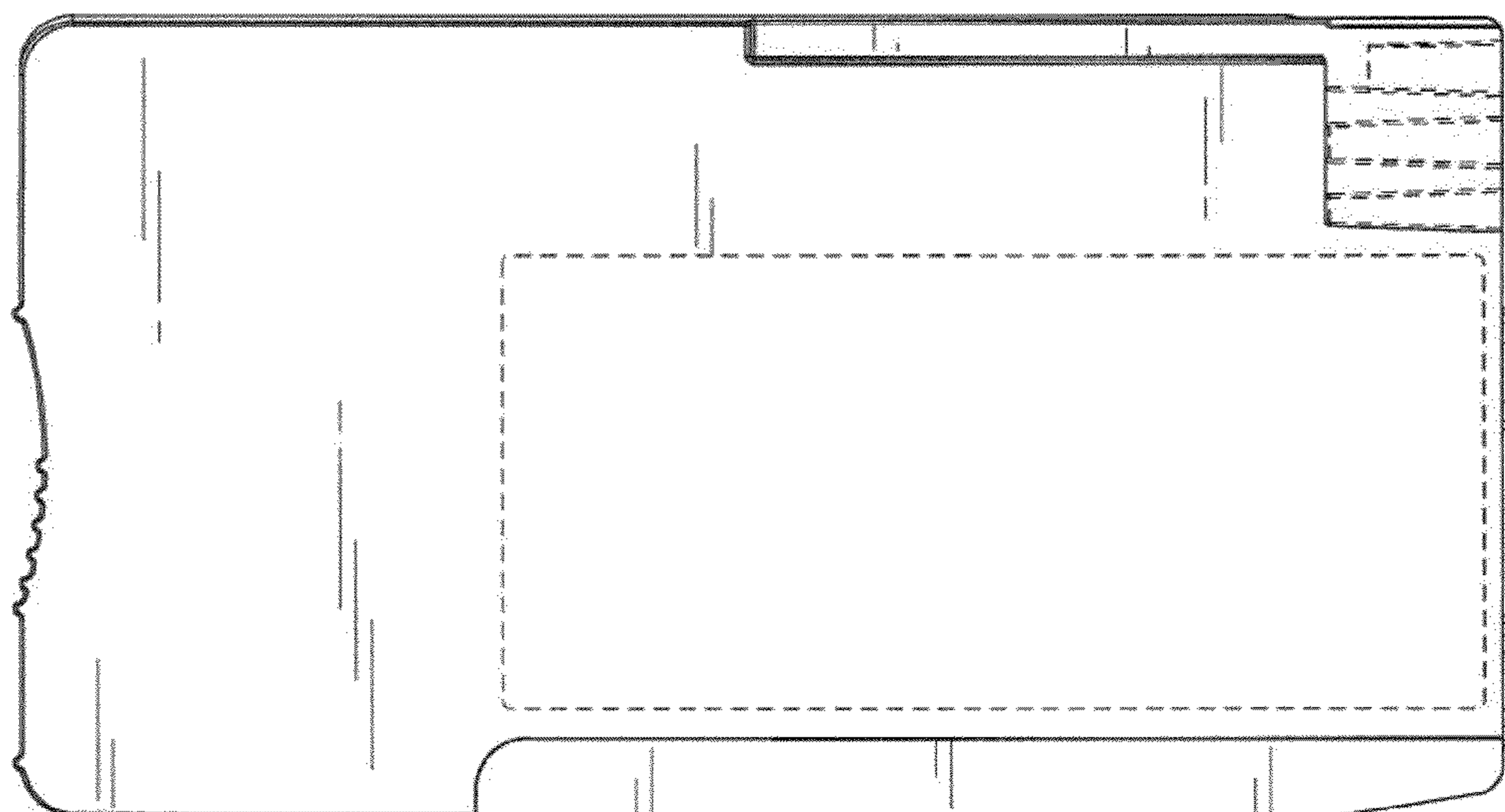


FIG. 6

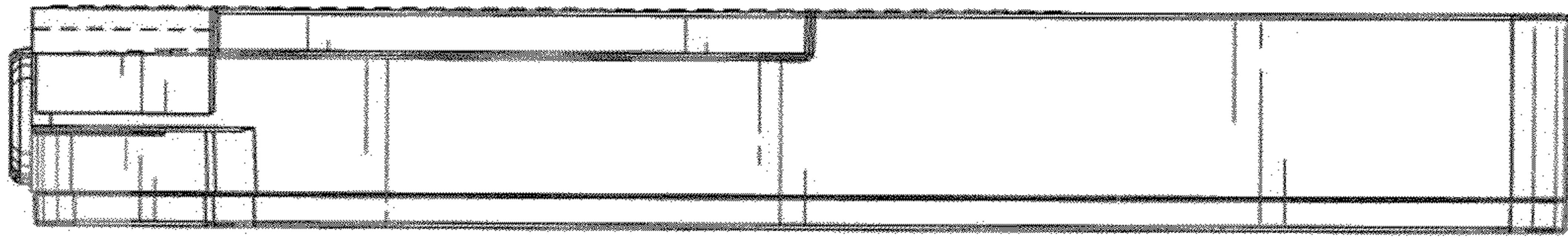


FIG. 7

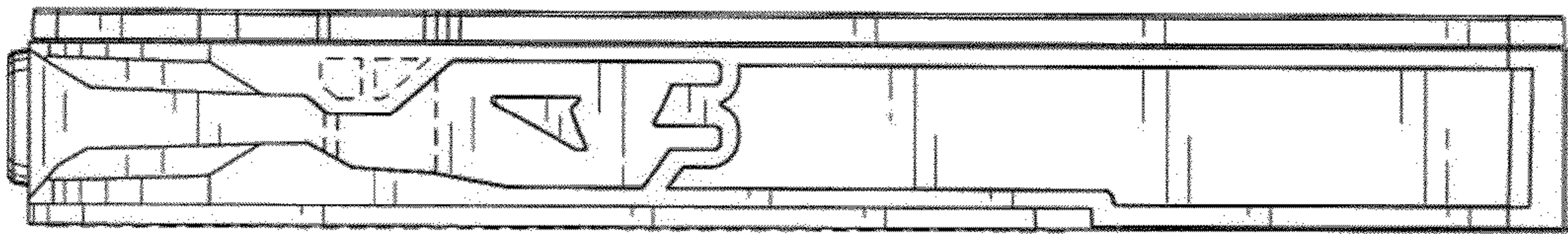


FIG. 8

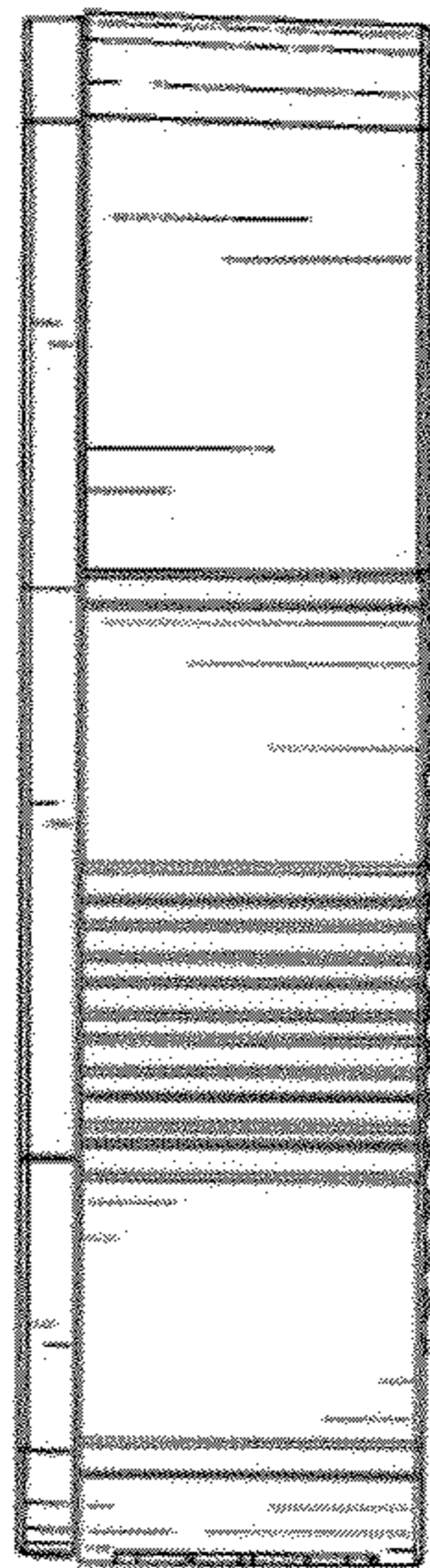


FIG. 9

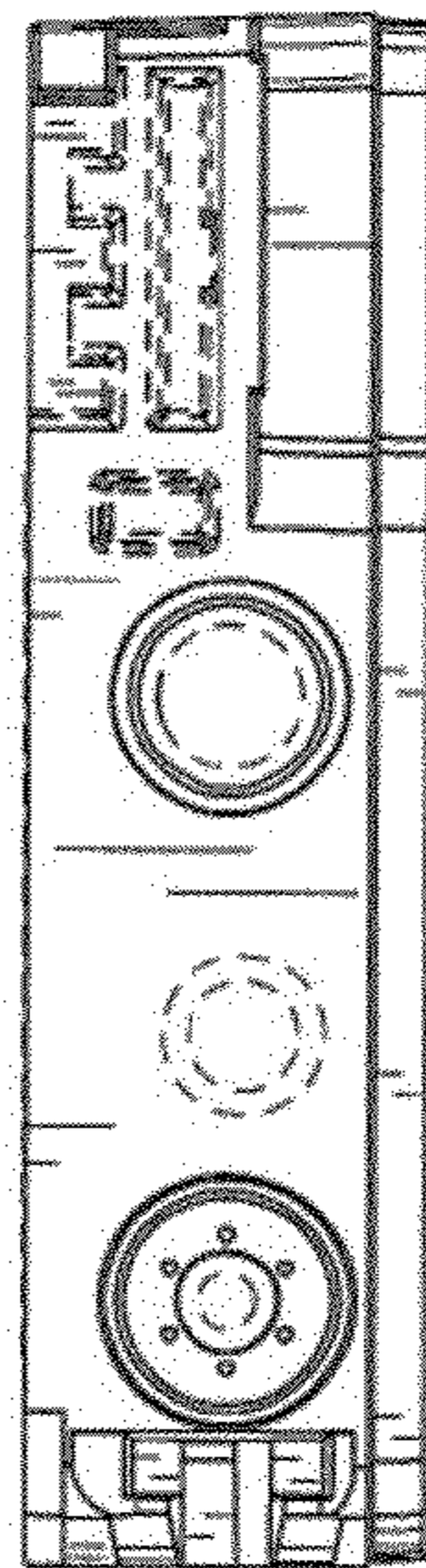


FIG. 10