



US00D707289S

(12) **United States Design Patent**
Thoma et al.

(10) **Patent No.:** **US D707,289 S**
(45) **Date of Patent:** **** Jun. 17, 2014**

(54) **LIGHT BARRIER ELEMENT OF A
GUILLOTINE-TYPE CUTTING MACHINE**

(71) Applicant: **Adolf Mohr Maschinenfabrik GmbH
& Co. KG**, Hofheim am Taunus (DE)

(72) Inventors: **Gerhard Thoma**, Hofheim (DE);
Christoph Beck, Königstein (DE)

(73) Assignee: **Adolf Mohr Maschinenfabrik GmbH
& Co. KG**, Hofheim am Taunus (DE)

(**) Term: **14 Years**

(21) Appl. No.: **29/469,808**

(22) Filed: **Oct. 15, 2013**

Related U.S. Application Data

(62) Division of application No. 29/422,515, filed on May 22, 2012.

(30) **Foreign Application Priority Data**

Nov. 25, 2011 (EP) 001 303 952-0001
Nov. 25, 2011 (EP) 001 303 952-0002
Nov. 25, 2011 (EP) 001 303 952-0003
Nov. 25, 2011 (EP) 001 303 952-0004
Nov. 25, 2011 (EP) 001 303 952-0005

(51) **LOC (10) Cl.** **18-04**

(52) **U.S. Cl.**
USPC **D18/34.8**

(58) **Field of Classification Search**
USPC D18/34.1, 34.3, 34.7, 34.8, 34.9;
D15/127; 83/605, 407, 408, 455, 600,
83/601, 698.11; 30/155, 159-163, 318;
D13/165

See application file for complete search history.

(56) **References Cited**

U.S. PATENT DOCUMENTS

D286,407 S 10/1986 Itoh et al.

D300,933 S 5/1989 Gemmani
D330,032 S 10/1992 Cromer et al.
D331,066 S 11/1992 Englert
5,183,993 A 2/1993 Sato et al.
D336,749 S 6/1993 Lenard et al.

(Continued)

Primary Examiner — Bridget L Eland

(74) *Attorney, Agent, or Firm* — Price Heneveld LLP

(57) **CLAIM**

The ornamental design for a light barrier element of a guillotine-type cutting machine, as shown and described.

DESCRIPTION

FIG. 1 is a perspective view of a light barrier element of a guillotine-type cutting machine taken from a light barrier side of the light barrier element, showing a cover element thereof in a covered position;

FIG. 2 is a perspective view of the light barrier element of a guillotine-type cutting machine taken from a side opposite the light barrier side of the light barrier element of a guillotine-type cutting machine, showing the cover element in the covered position;

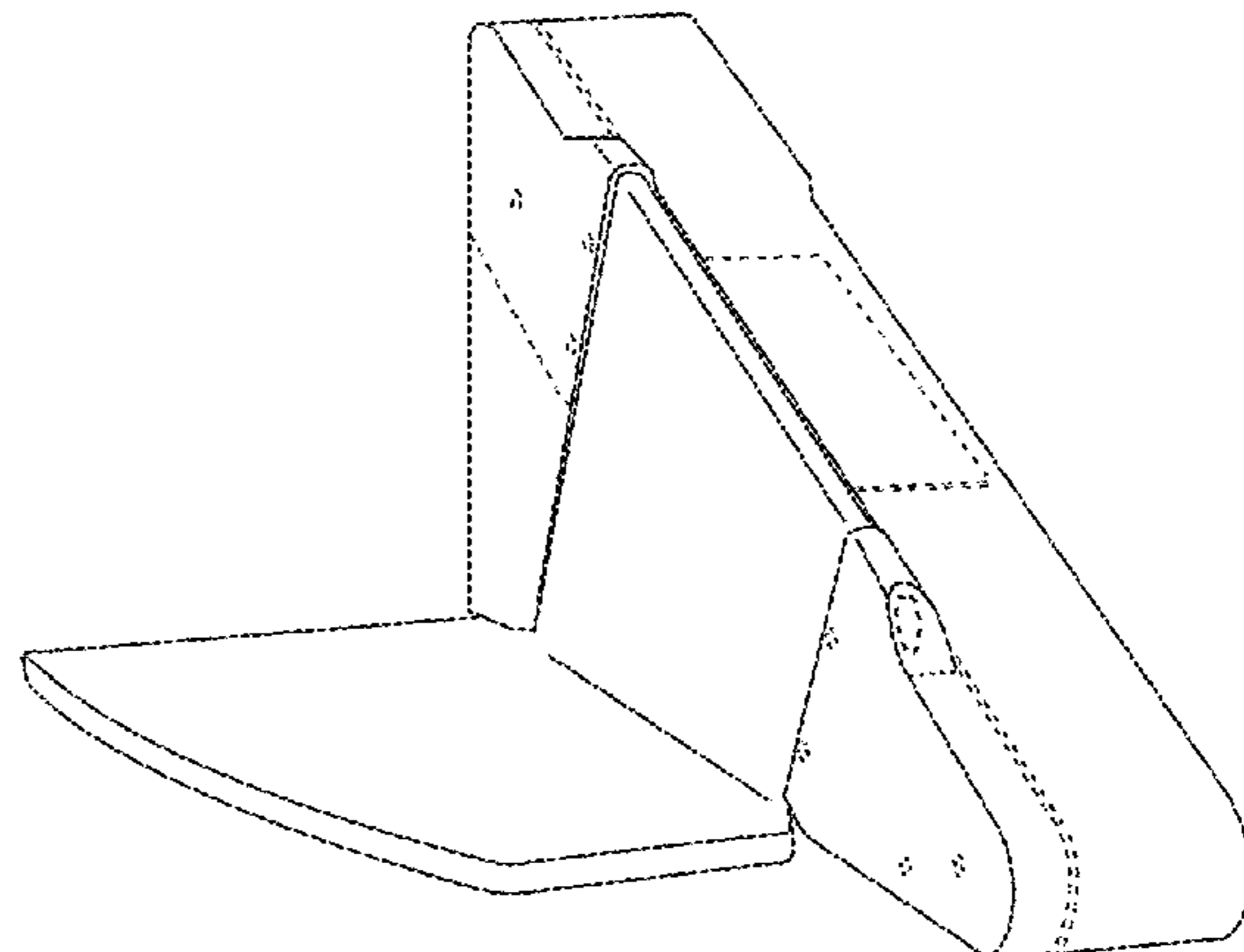
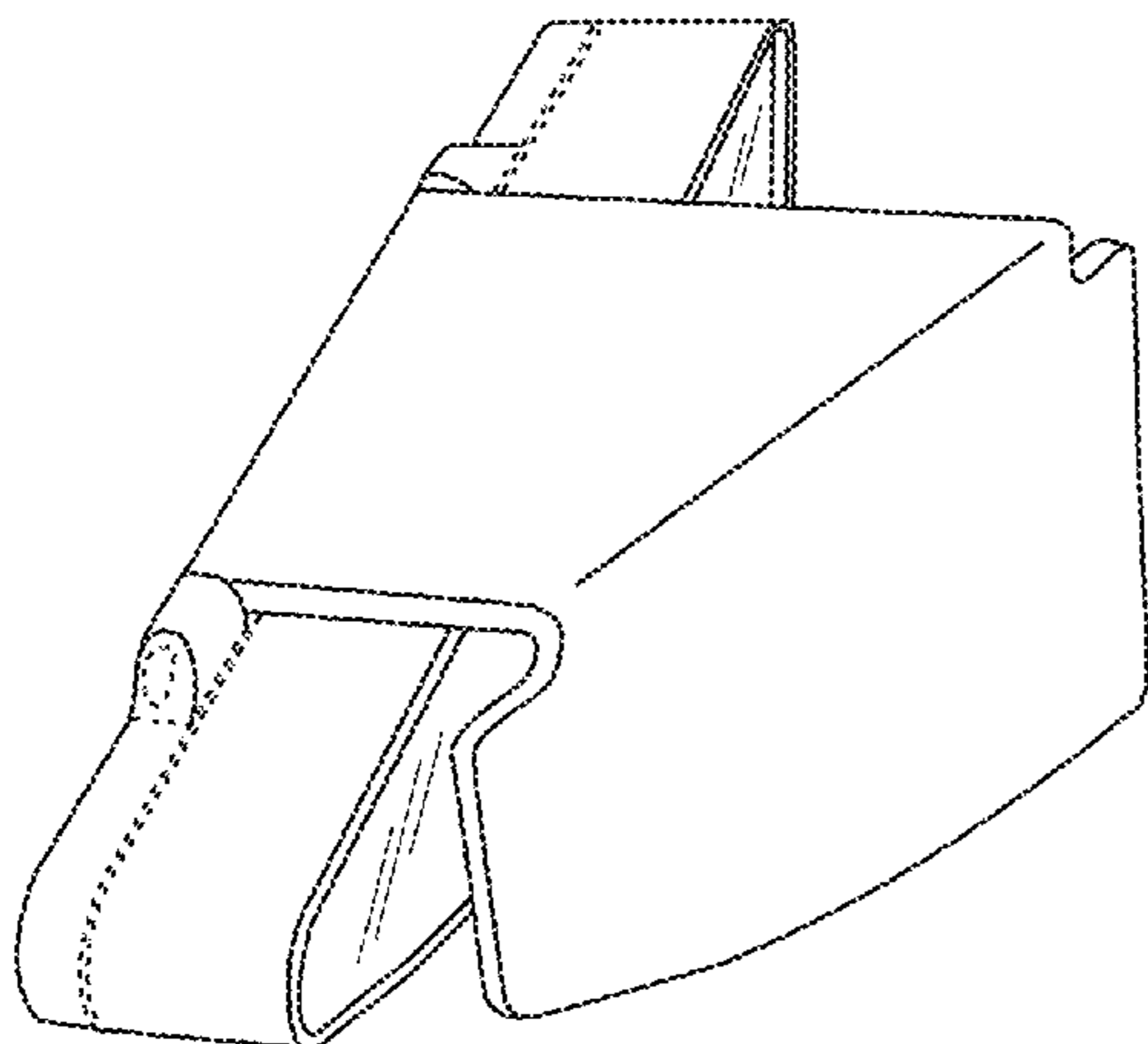
FIG. 3 is a top perspective view of the light barrier element of a guillotine-type cutting machine, showing the cover element in the covered position;

FIG. 4 is a perspective view of the light barrier element of a guillotine-type cutting machine taken from the side opposite the light barrier side of the light barrier element of a guillotine-type cutting machine, showing the cover element in the uncovered position; and,

FIG. 5 is a top perspective view of the light barrier element of a guillotine-type cutting machine, showing the cover element in the uncovered position.

The broken lines, encompassing unshaded regions, represent the bounds of the claimed design while all other broken lines are directed to environment and are for illustrative purposes only; the broken lines form no part of the claimed design.

1 Claim, 2 Drawing Sheets



(56)

References Cited

U.S. PATENT DOCUMENTS

5,410,119 A	4/1995	Lehmann					
D415,175 S	10/1999	Lin					
D428,025 S	7/2000	Miyake et al.					
6,422,112 B2 *	7/2002	Gottschalk et al.	83/74				
D510,942 S	10/2005	Kuriki et al.					
7,000,516 B2	2/2006	Lin et al.					
D544,003 S	6/2007	Inaba et al.					
D557,295 S	12/2007	Formanek					
D565,512 S *	4/2008	Hormann	D13/165				
				D576,112 S *	9/2008	Hormann	D13/165
				D578,144 S	10/2008	Arisue et al.	
				D608,799 S	1/2010	Tokiwa et al.	
				D633,115 S	2/2011	Brown et al.	
				D637,631 S	5/2011	Hiroshima et al.	
				D638,449 S	5/2011	Schindler et al.	
				D649,174 S	11/2011	Schindler	
				D649,567 S	11/2011	Schindler	
				D668,277 S	10/2012	Miyake et al.	
				D692,936 S *	11/2013	Thoma	D15/127
				D692,937 S *	11/2013	Thoma	D15/127
				2001/0054341 A1 *	12/2001	Gottschalk et al.	83/74

* cited by examiner

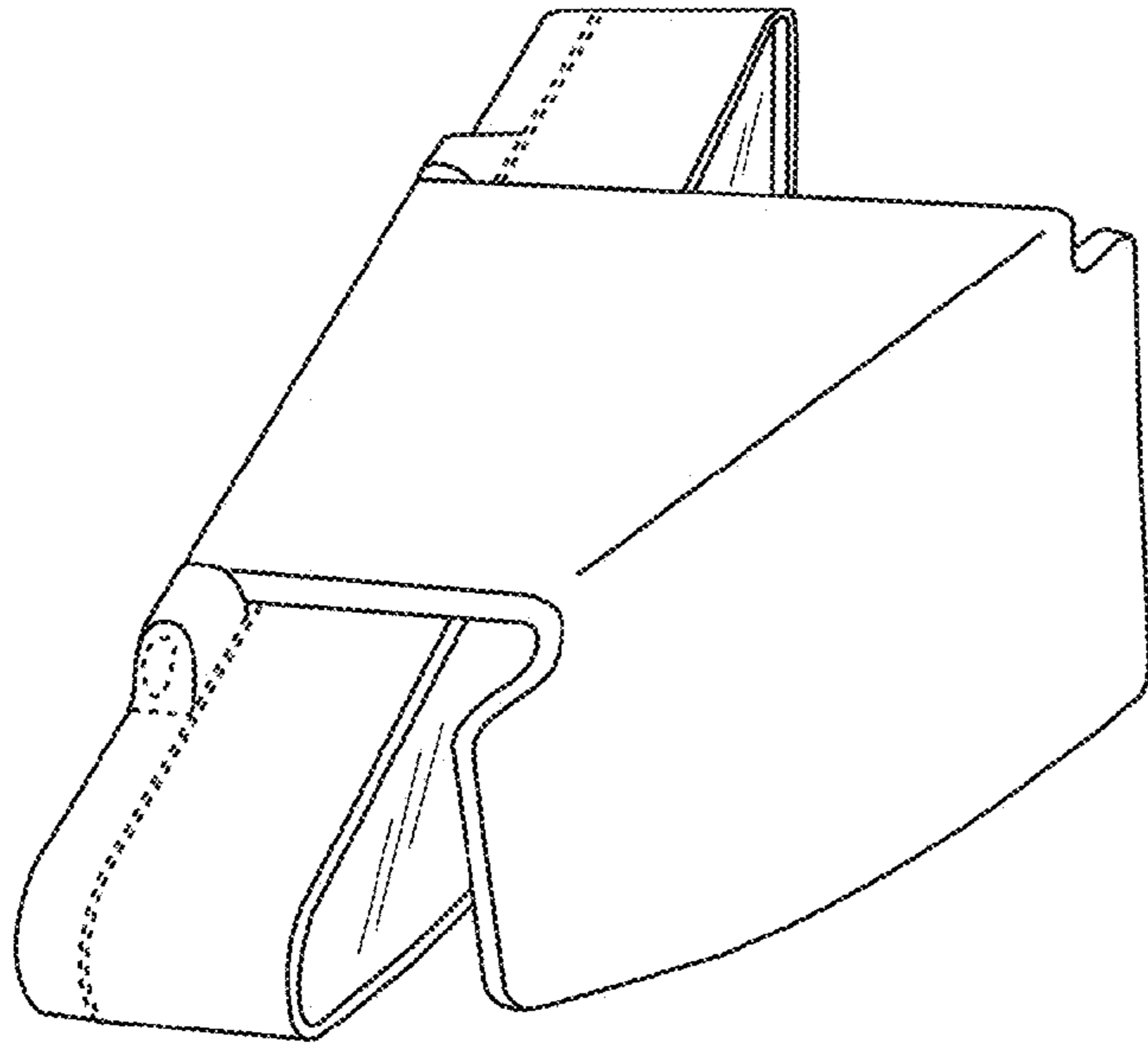


Fig. 1

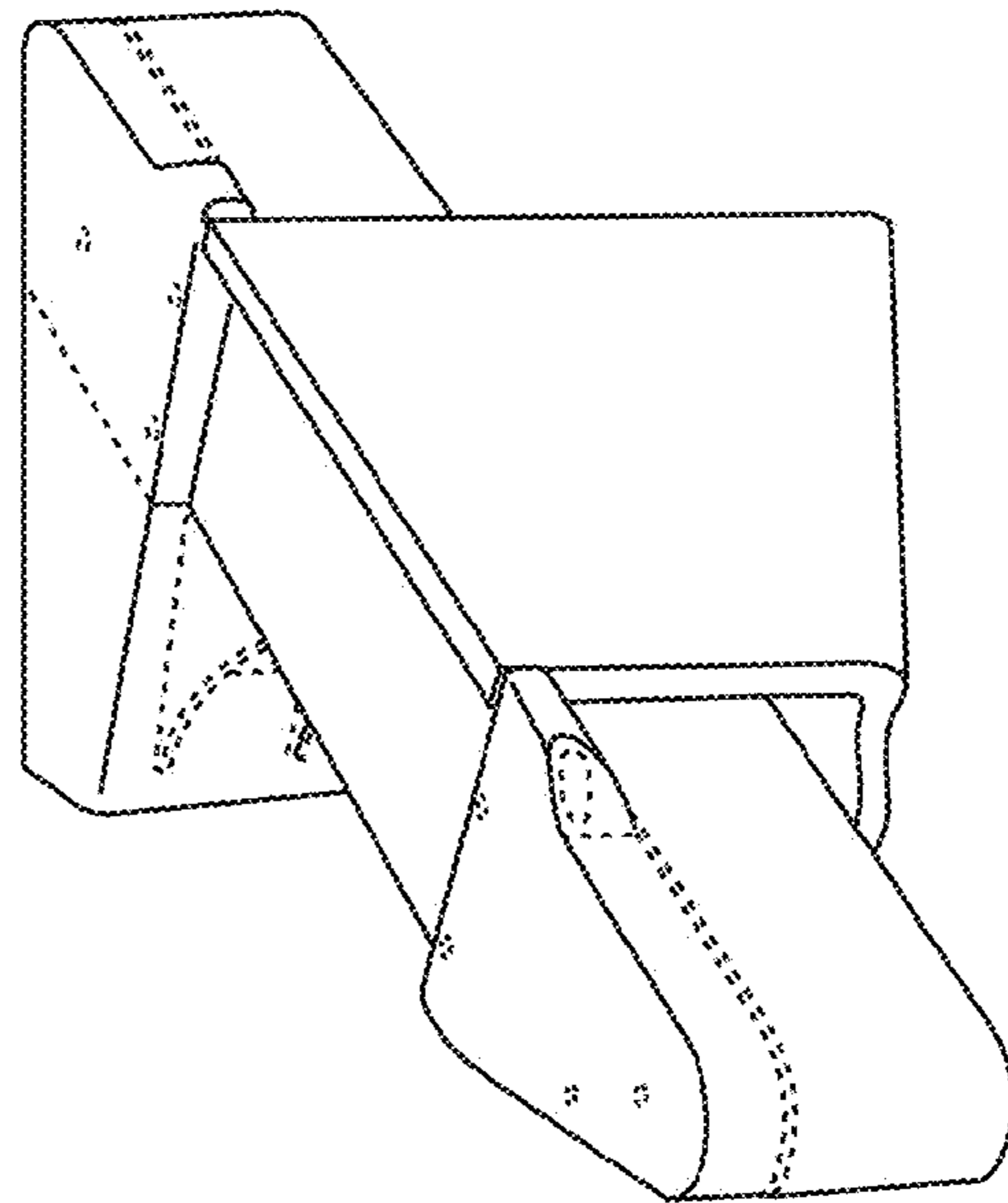


Fig. 2

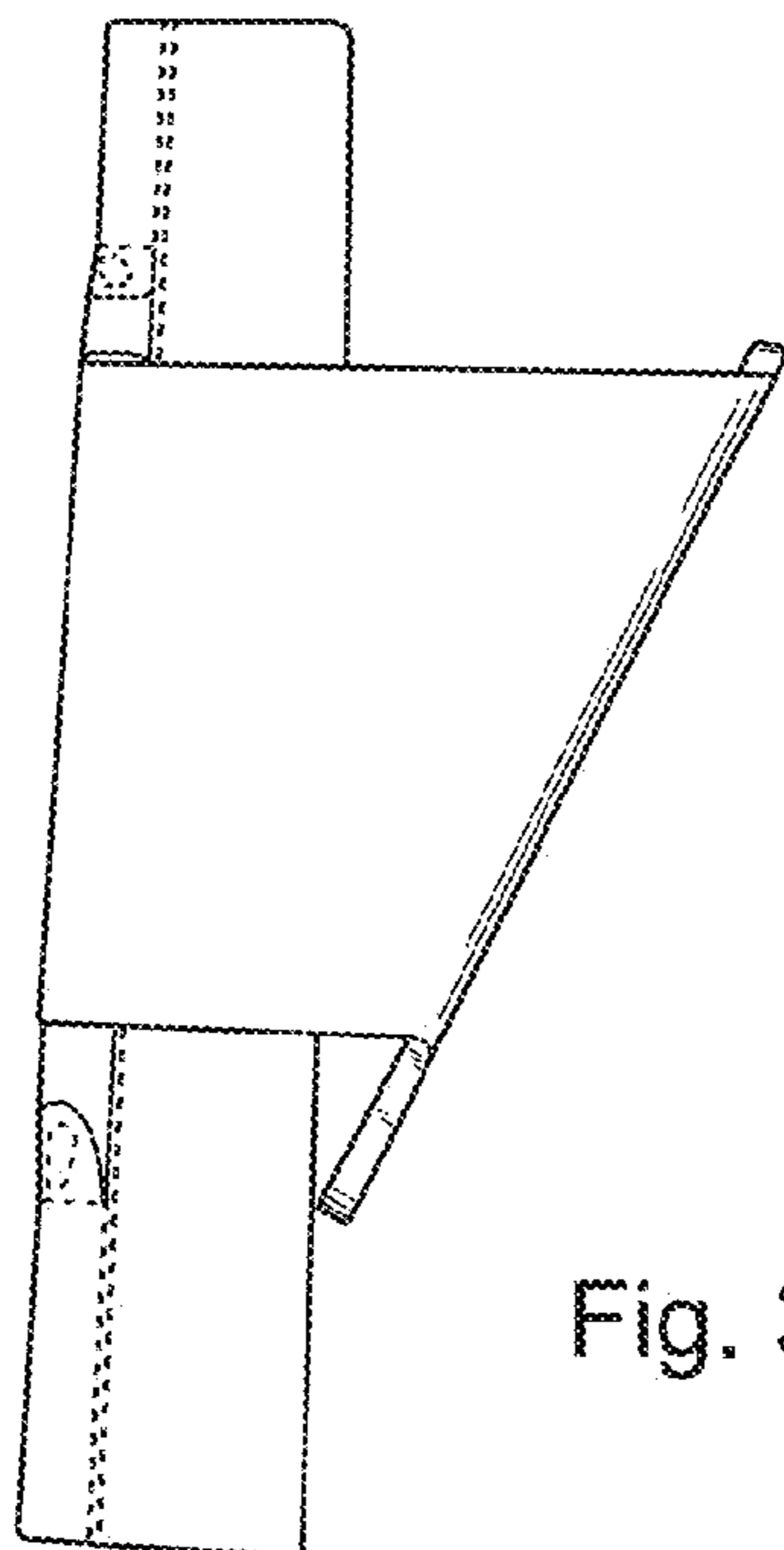


Fig. 3

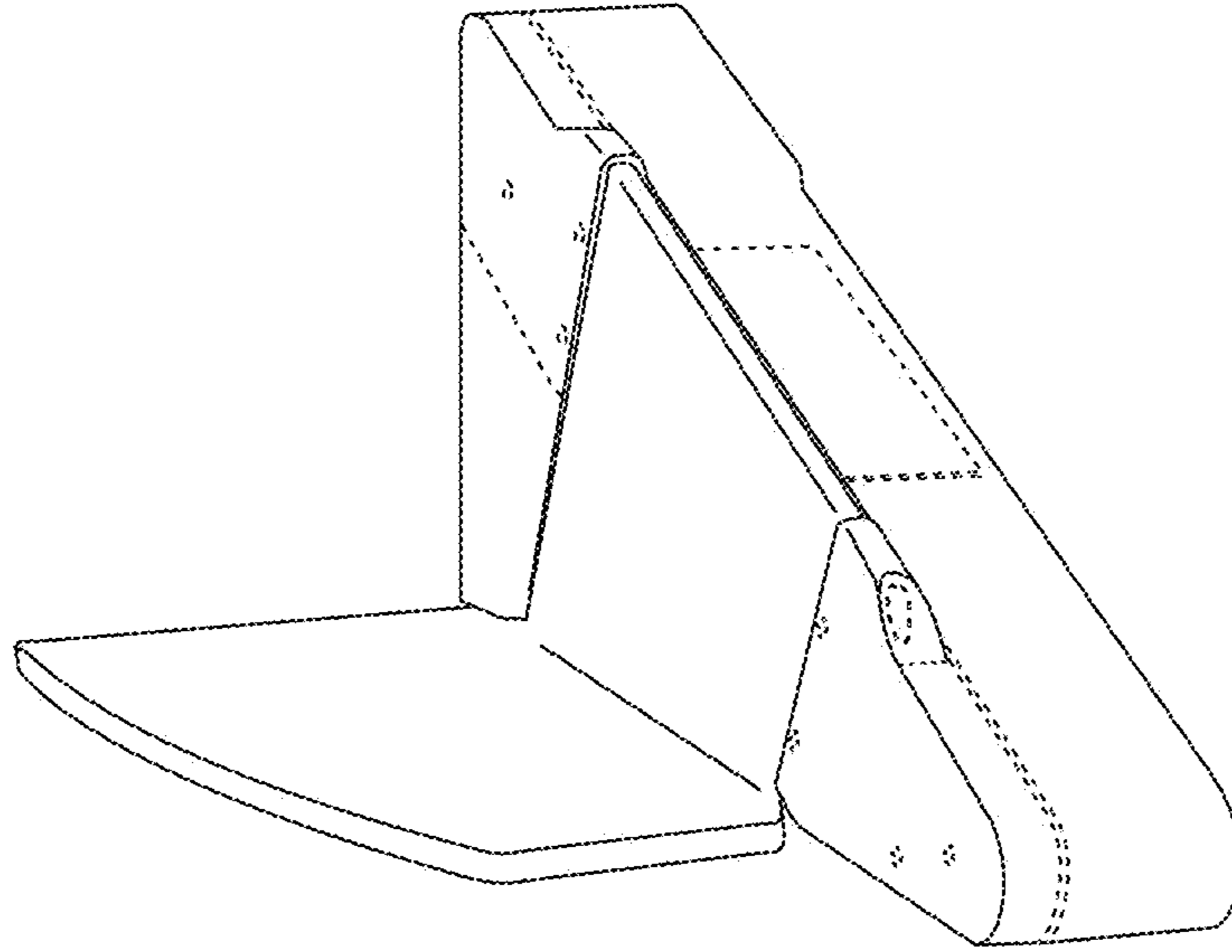


Fig. 4

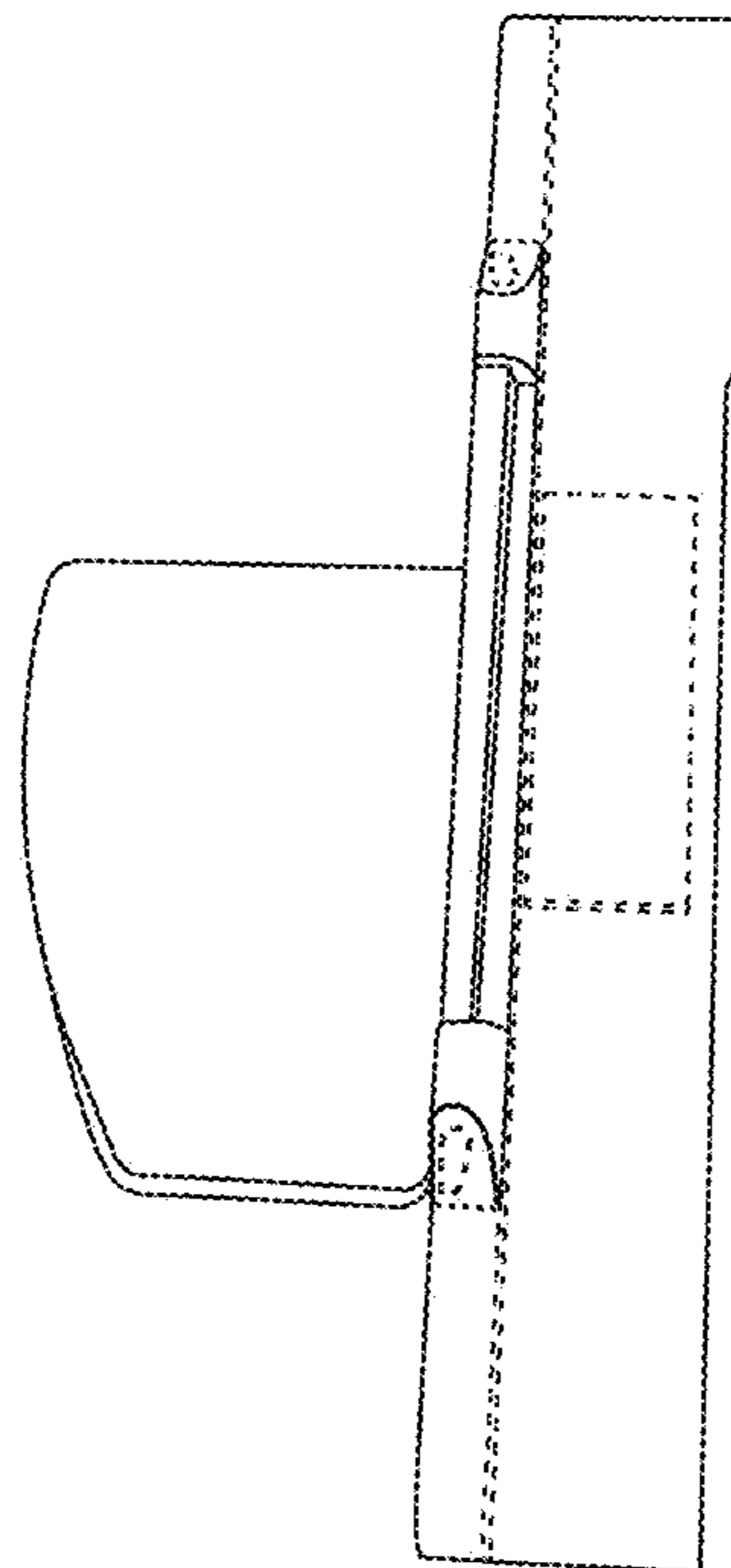


Fig. 5