



US00D707288S

(12) **United States Design Patent**  
**Branck et al.**

(10) **Patent No.:** **US D707,288 S**  
(45) **Date of Patent:** **\*\* Jun. 17, 2014**

(54) **POINT OF SALE TERMINAL**  
(75) Inventors: **James David Branck**, Frankfort, NY (US); **Bernard Wesley Baker, Jr.**, Herkimer, NY (US); **Brian D. Johnson**, Utica, NY (US); **William J. Williams**, Hartford, NY (US)

(73) Assignee: **PAR Technology Corporation**, New Hartford, NY (US)

(\*\*) Term: **14 Years**

(21) Appl. No.: **29/428,963**

(22) Filed: **Aug. 6, 2012**

(51) **LOC (10) Cl.** ..... **18-01**

(52) **U.S. Cl.**  
USPC ..... **D18/4.6**

(58) **Field of Classification Search**  
USPC ..... D14/336, 371–376, 387; D18/3.1–3.3, D18/4.1–4.6, 6–8, 11, 12, 12.1–12.3; D21/324, 325, 332; D99/28, 34–36, D99/43; 235/1 E, 2, 7 R, 12, 22, 33, 51, 52; 705/12, 15–18, 43  
See application file for complete search history.

(56) **References Cited**

**U.S. PATENT DOCUMENTS**

D424,098 S \* 5/2000 Kim ..... D18/4.5  
D458,255 S \* 6/2002 Hsu ..... D18/4.5

D525,282 S \* 7/2006 Barnes et al. .... D18/4.5  
D526,002 S \* 8/2006 Nakajima et al. .... D18/4.5  
D542,333 S \* 5/2007 Ando et al. .... D18/4.6  
D542,834 S \* 5/2007 Ando et al. .... D18/4.6  
D569,898 S \* 5/2008 Masuda ..... D18/4.5  
D588,186 S \* 3/2009 Yamakawa ..... D18/4.5  
D615,583 S \* 5/2010 Ono ..... D18/4.5  
D620,519 S \* 7/2010 Branck et al. .... D18/4.4  
D640,252 S \* 6/2011 Kuroda et al. .... D18/4.5

\* cited by examiner

*Primary Examiner* — Elizabeth Albert

(74) *Attorney, Agent, or Firm* — George R. McGuire; Frederick J. M. Price; Bond Schoeneck & King, PLLC

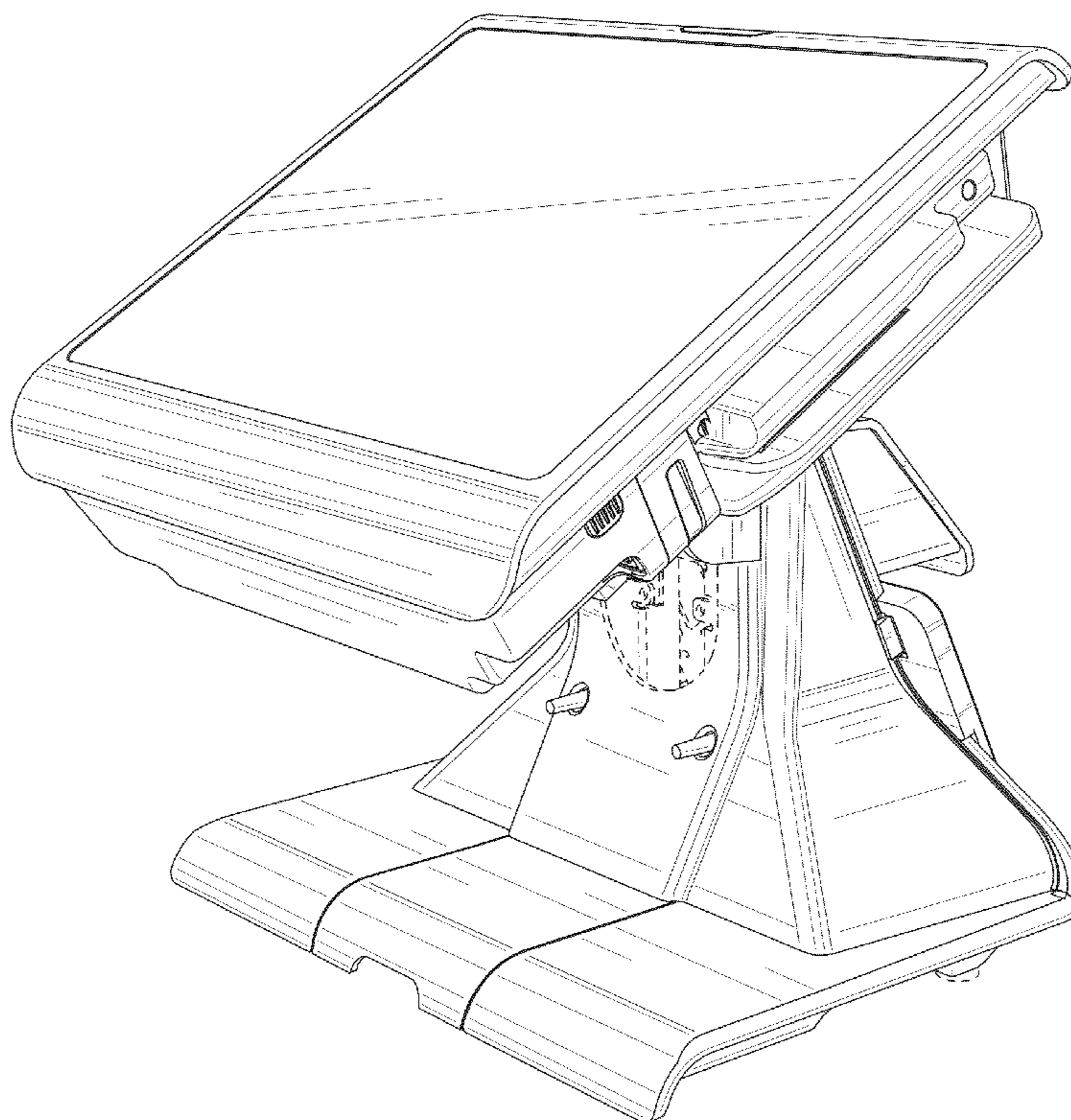
(57) **CLAIM**

The ornamental design for a point of sale terminal, as shown and described.

**DESCRIPTION**

FIG. 1 is a perspective view of a point of sale terminal; FIG. 2 is a front elevation view thereof; FIG. 3 is a rear elevation view thereof; FIG. 4 is a first side elevation view thereof; FIG. 5 is a second side elevation view thereof; FIG. 6 is a top plan view thereof; and, FIG. 7 is a bottom plan view thereof.  
The broken line areas in the Figures show environmental subject matter and form no part of the claim design.

**1 Claim, 7 Drawing Sheets**



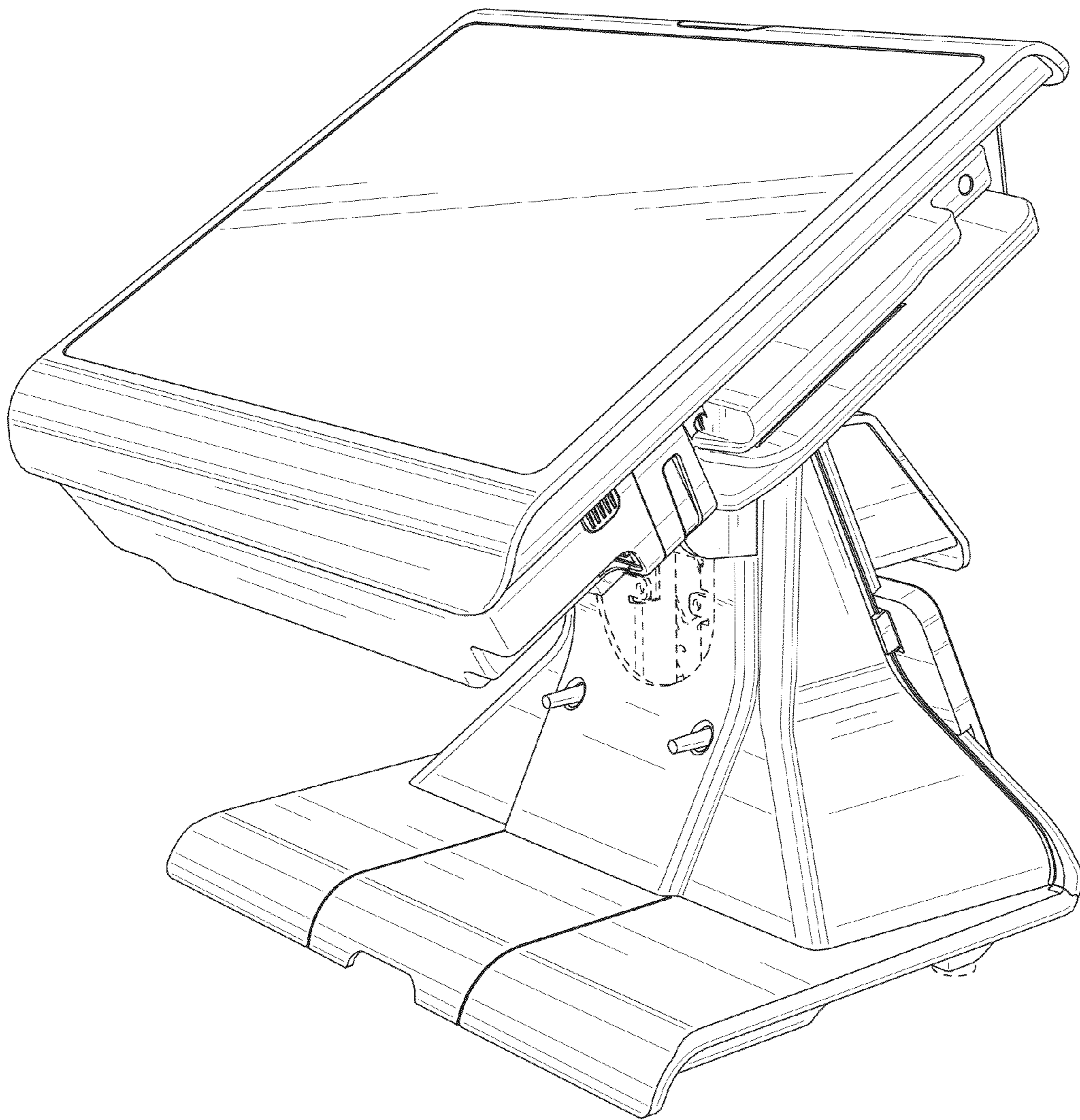


FIG. 1

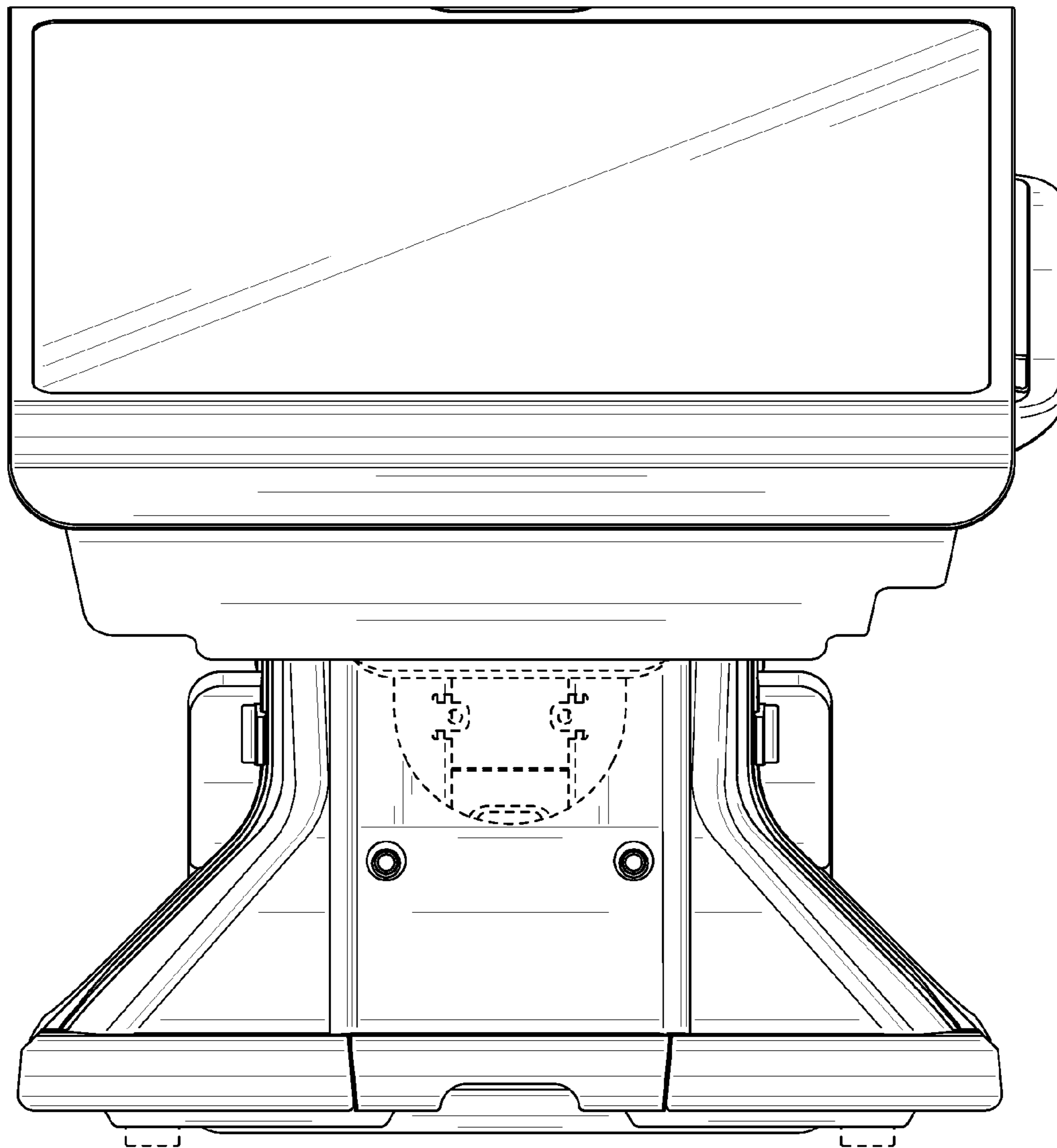


FIG. 2

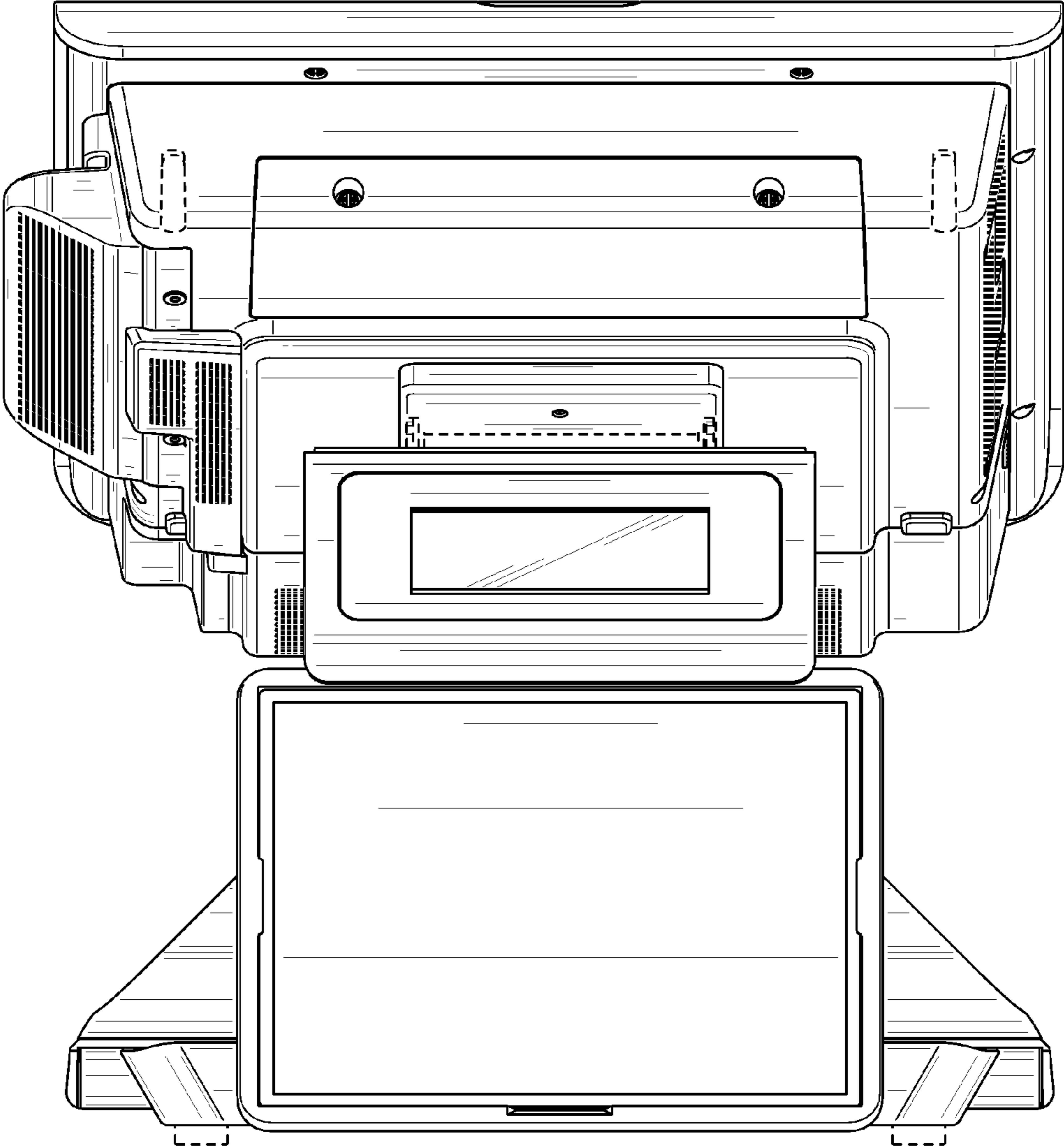


FIG. 3

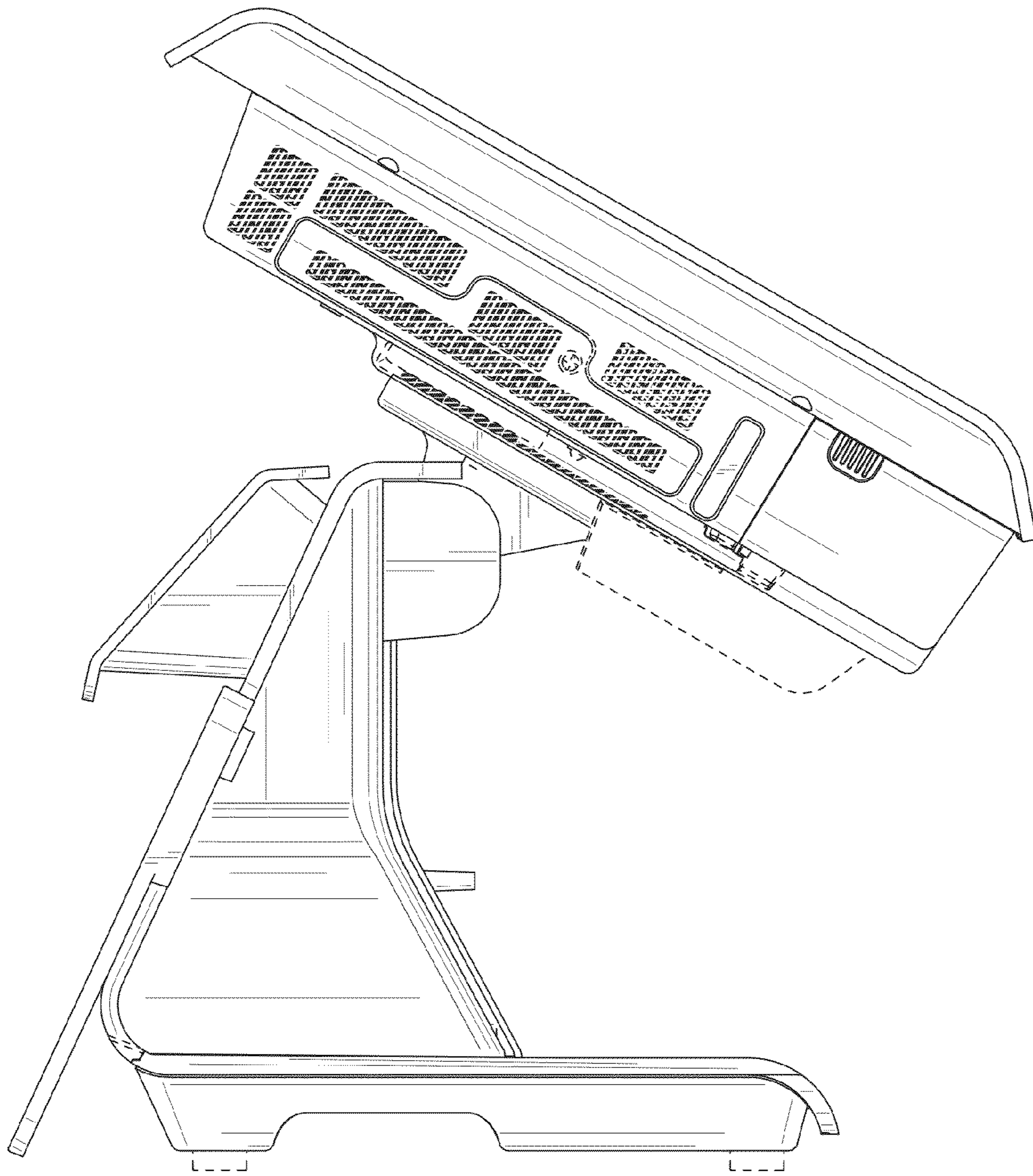


FIG. 4

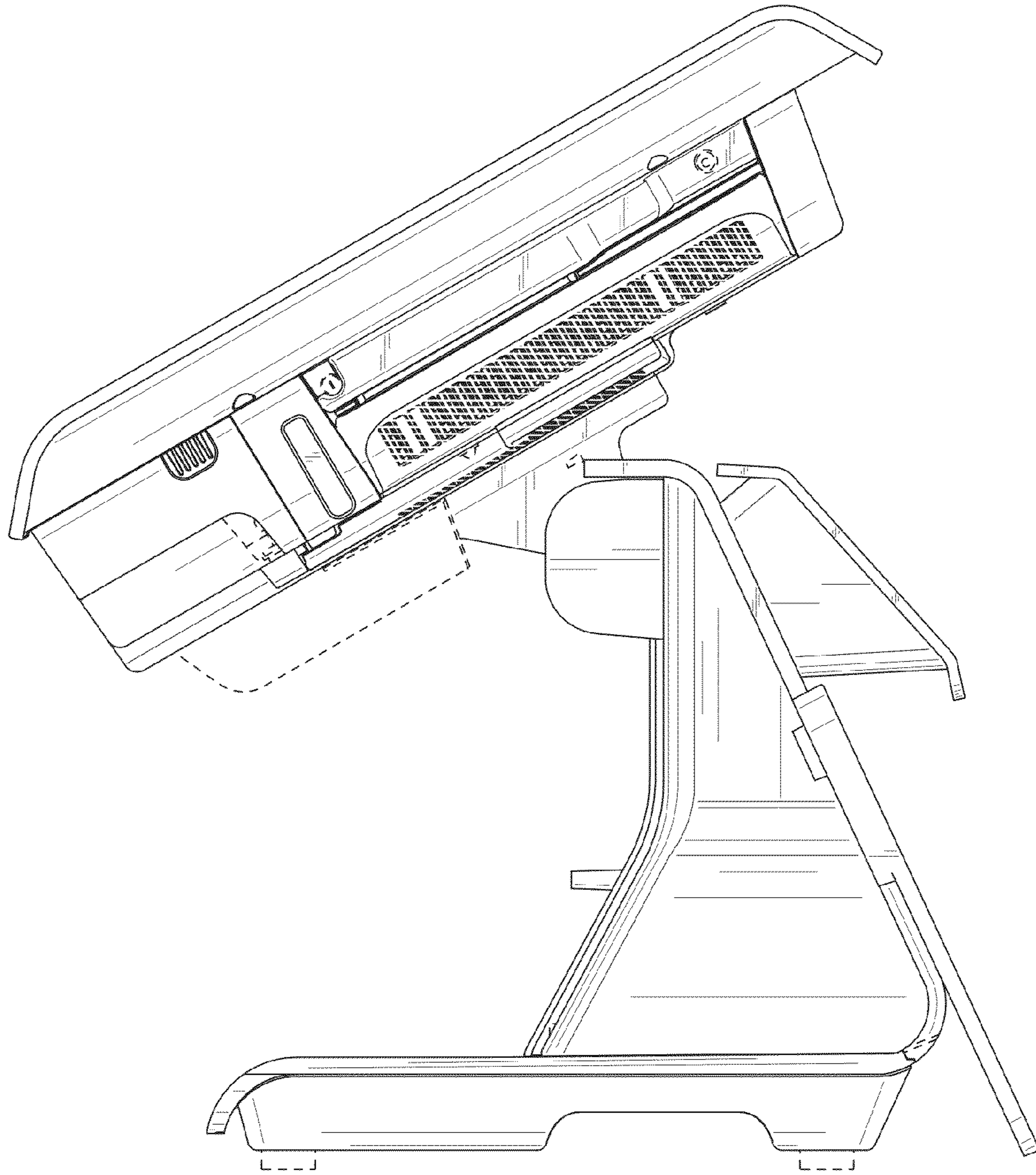


FIG. 5

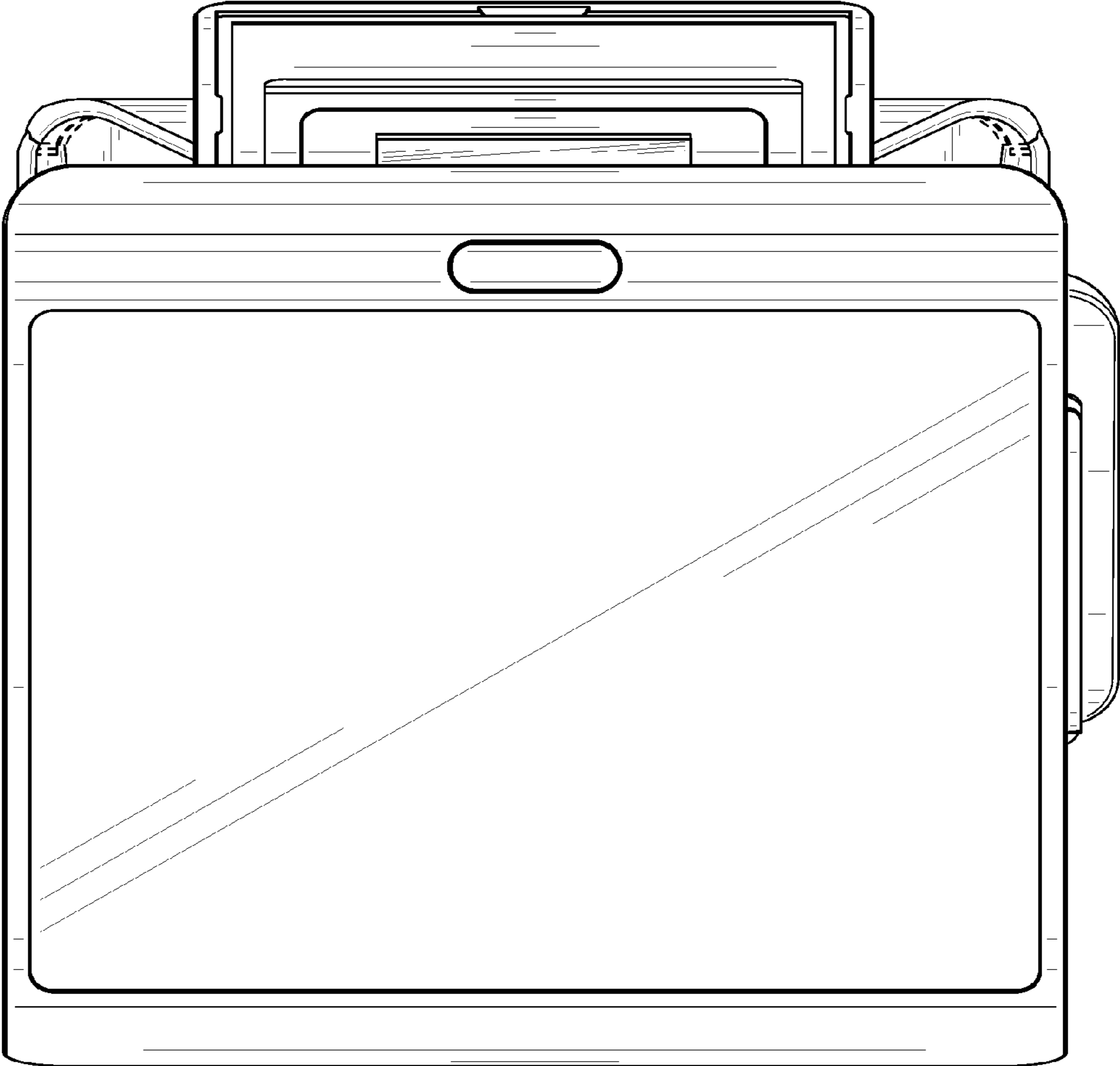


FIG. 6

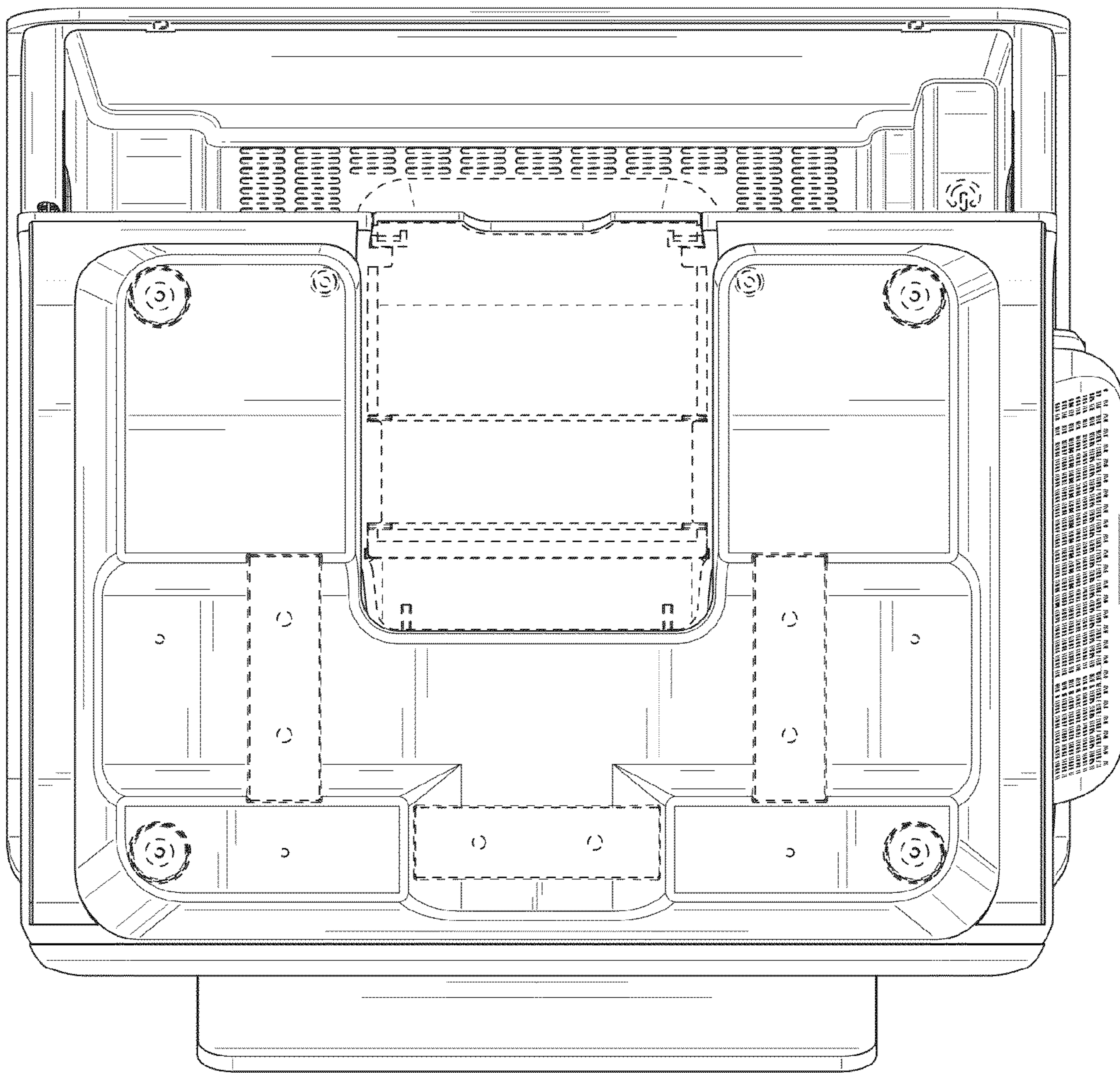


FIG. 7