



US00D707287S

(12) **United States Design Patent**  
**Thomas**

(10) **Patent No.:** **US D707,287 S**  
(45) **Date of Patent:** **\*\* Jun. 17, 2014**

(54) **GUITAR PICK HOLDER**

JP 2013080167 A \* 5/2013

(71) Applicant: **Giovanni Thomas**, Melbourne, FL (US)

\* cited by examiner

(72) Inventor: **Giovanni Thomas**, Melbourne, FL (US)

*Primary Examiner* — Rashida Johnson

(\*\*) Term: **14 Years**

(74) *Attorney, Agent, or Firm* — Mark R. Malek; Zies Widerman & Malek

(21) Appl. No.: **29/465,354**

(22) Filed: **Aug. 27, 2013**

(51) **LOC (10) Cl.** ..... **17-03**

(52) **U.S. Cl.**

USPC ..... **D17/20**

(58) **Field of Classification Search**

USPC ..... D17/20, 99; 84/320–322, 453

See application file for complete search history.

(57) **CLAIM**

The ornamental design for a guitar pick holder, as shown and described.

**DESCRIPTION**

FIG. 1 is a perspective view of a guitar pick holder according to the present invention.

FIG. 2 is a side elevation view of the guitar pick holder illustrated in FIG. 1.

FIG. 3 is a top plan view of the guitar pick holder illustrated in FIG. 1.

FIG. 4 is a bottom plan view of the guitar pick holder illustrated in FIG. 1.

FIG. 5 is a front elevation view of the guitar pick holder illustrated in FIG. 1; and,

FIG. 6 is a side view of the guitar pick holder illustrated in FIG. 1, shown in use.

The broken lines in FIG. 1, illustrating guitar picks, and in FIG. 6, illustrating a guitar and picks, show the design in use and form no part of the claimed design.

(56) **References Cited**

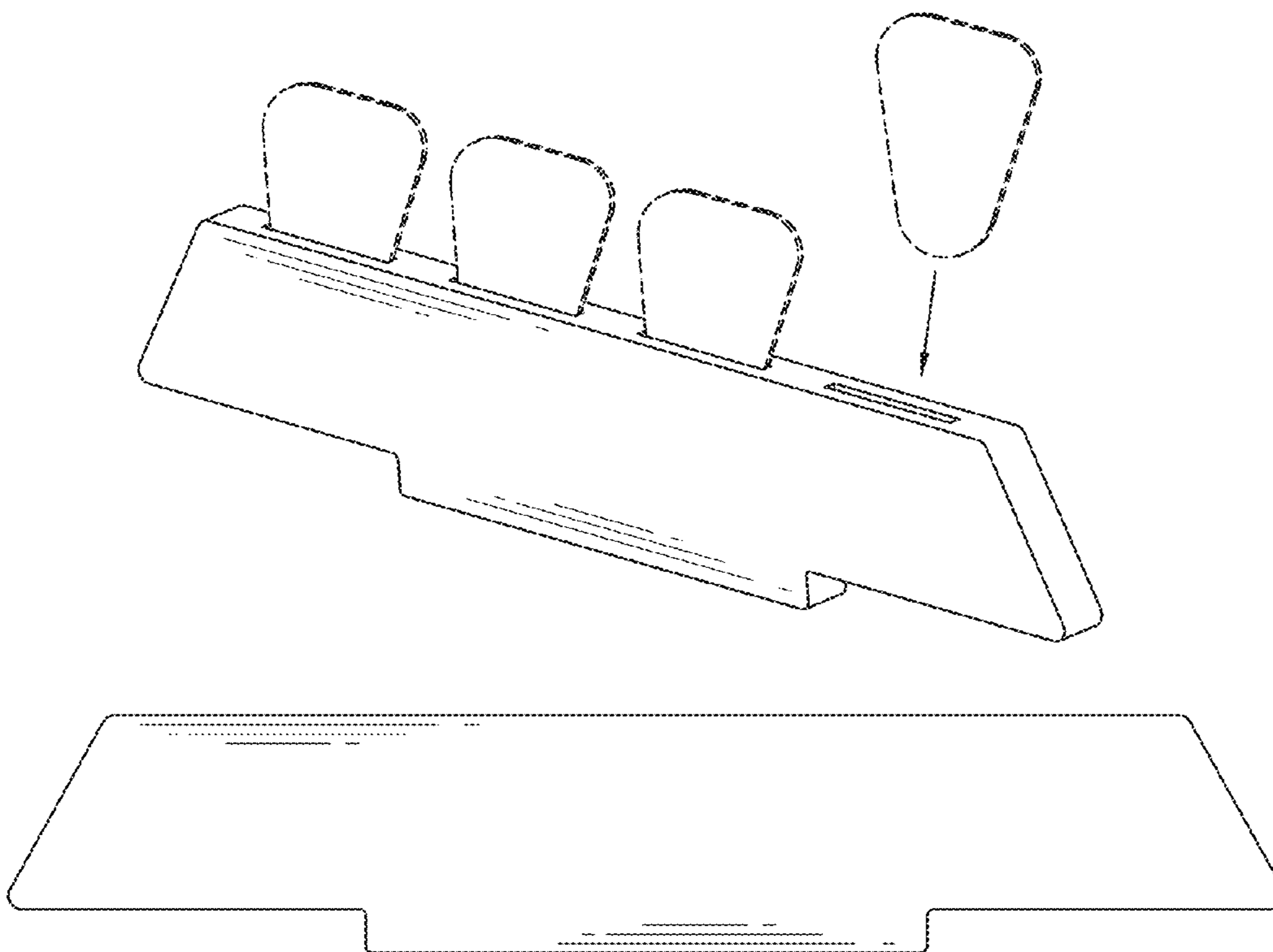
U.S. PATENT DOCUMENTS

|              |      |         |             |        |
|--------------|------|---------|-------------|--------|
| 4,785,708    | A *  | 11/1988 | Vaughan     | 84/329 |
| 4,890,531    | A *  | 1/1990  | Tischer     | 84/329 |
| D392,796     | S *  | 3/1998  | North       | D3/204 |
| 5,796,021    | A *  | 8/1998  | Longshore   | 84/329 |
| 6,140,564    | A *  | 10/2000 | Pia         | 84/453 |
| 6,315,698    | B1 * | 11/2001 | Barber      | 482/93 |
| D650,004     | S *  | 12/2011 | Lawing      | D17/20 |
| 2010/0083810 | A1 * | 4/2010  | Tran et al. | 84/322 |

FOREIGN PATENT DOCUMENTS

GB 2091204 A \* 7/1982

**1 Claim, 3 Drawing Sheets**



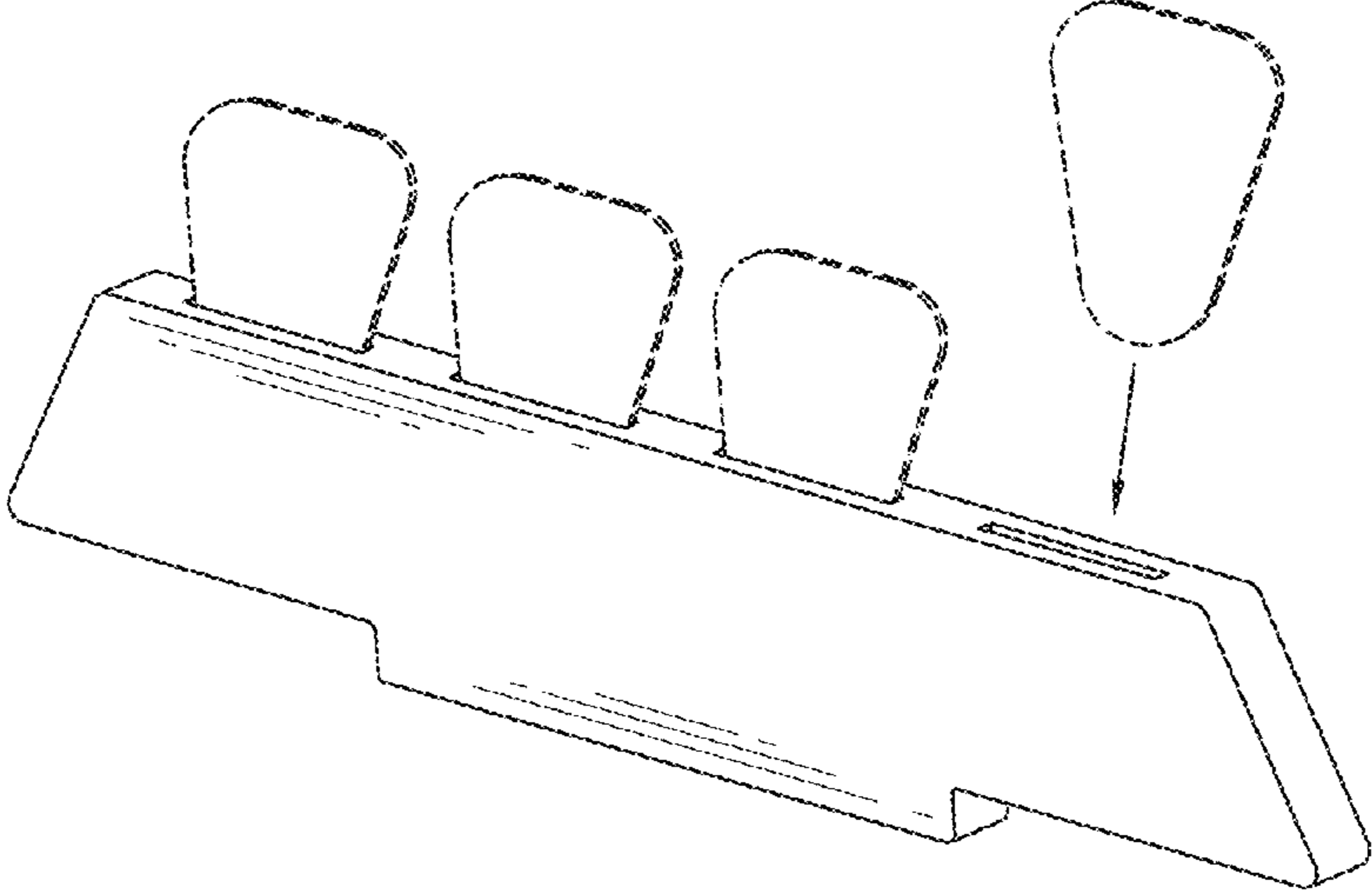


Fig. 1



Fig. 2



Fig. 3

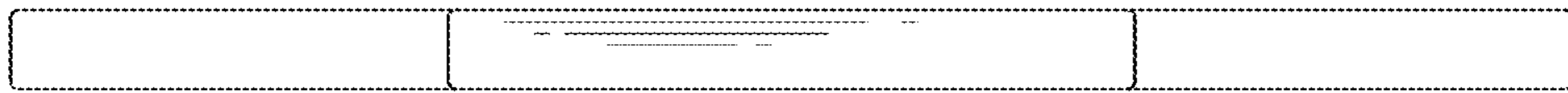


Fig. 4

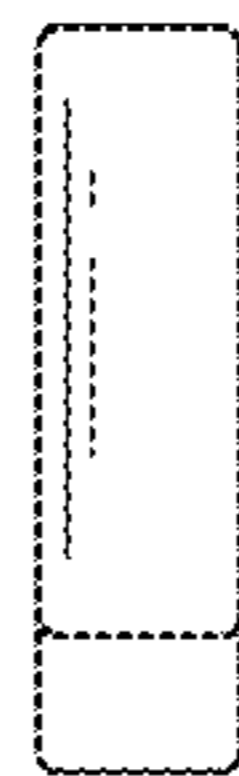


Fig. 5

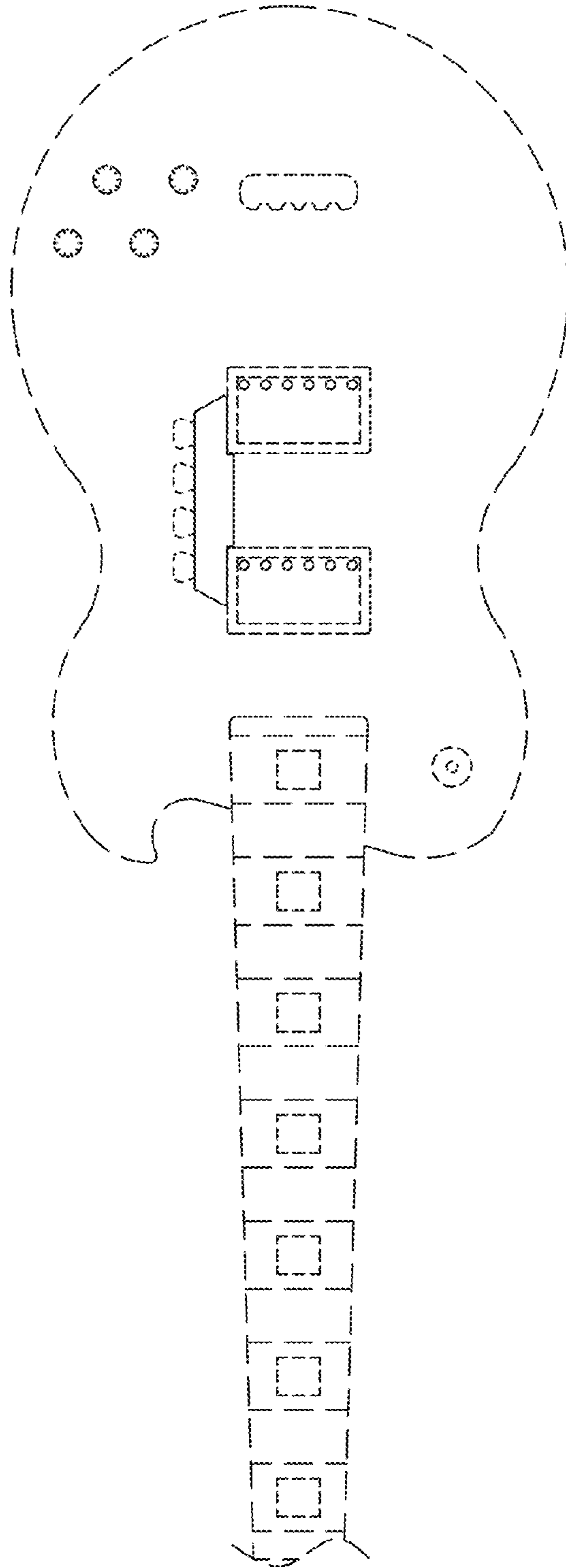


Fig. 6