



US00D707282S

(12) **United States Design Patent**
Tanaka

(10) **Patent No.:** **US D707,282 S**
(45) **Date of Patent:** **** Jun. 17, 2014**

(54) **LAMP UNIT FOR PROJECTOR**

(71) Applicant: **Seiko Epson Corporation**, Tokyo (JP)

(72) Inventor: **Katsunori Tanaka**, Azumino (JP)

(73) Assignee: **Seiko Epson Corporation**, Tokyo (JP)

(**) Term: **14 Years**

(21) Appl. No.: **29/455,363**

(22) Filed: **May 20, 2013**

(30) **Foreign Application Priority Data**

Feb. 5, 2013 (JP) 2013-002176

(51) **LOC (10) Cl.** **16-02**

(52) **U.S. Cl.**
USPC **D16/235**

(58) **Field of Classification Search**
USPC D16/221, 225, 235; D26/1, 24;
352/198, 203; 353/52, 87, 61, 119;
362/241, 261, 263-264, 294, 345, 362,
362/373

See application file for complete search history.

(56) **References Cited**

U.S. PATENT DOCUMENTS

D424,089 S * 5/2000 Takizawa D16/221
D584,328 S * 1/2009 Sasaki D16/235

D605,684 S * 12/2009 Takizawa D16/235
D616,482 S * 5/2010 Nishi et al. D16/235
D616,912 S * 6/2010 Sasaki D16/235
D645,892 S * 9/2011 Nishi D16/235
D673,202 S * 12/2012 Takizawa D16/235
D686,271 S * 7/2013 Tanaka D16/235
D689,915 S * 9/2013 Miyata D16/235
D689,916 S * 9/2013 Tateno D16/235
2010/0103382 A1 * 4/2010 Onodera et al. 353/52
2013/0010267 A1 * 1/2013 Tanaka 353/52

* cited by examiner

Primary Examiner — Wan Laymon

(74) *Attorney, Agent, or Firm* — Oliff PLC

(57) **CLAIM**

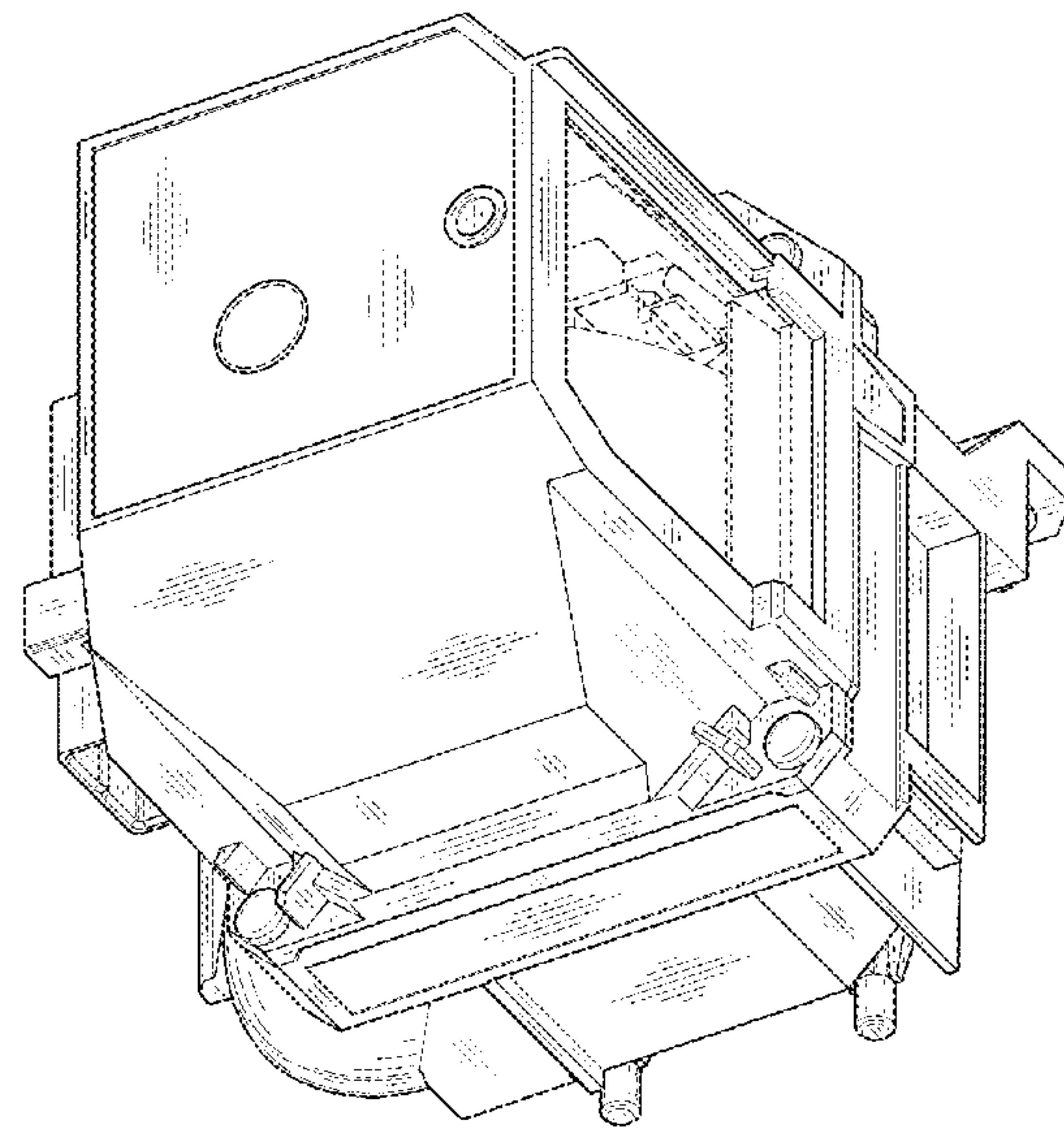
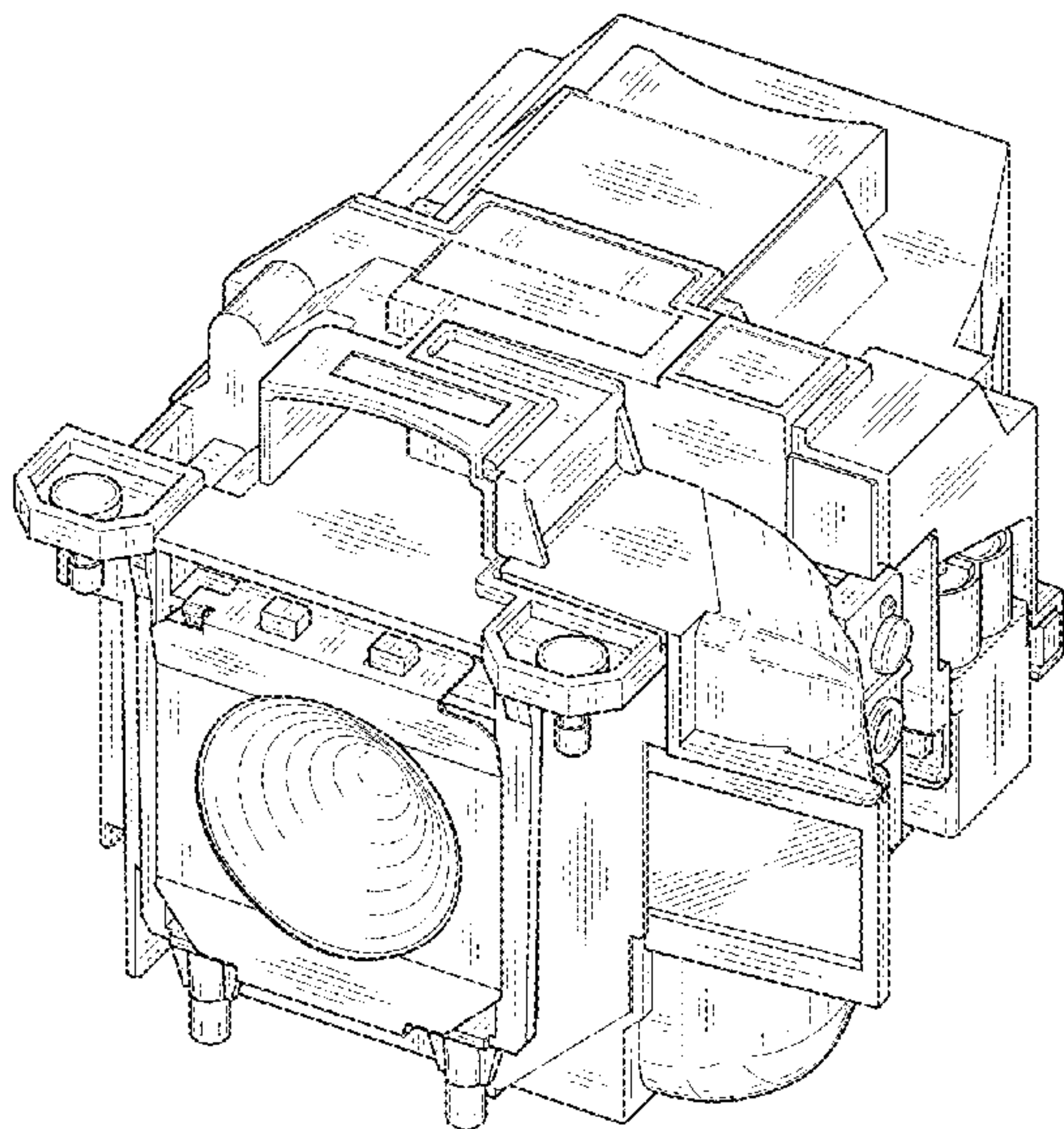
The ornamental design for a lamp unit for projector, as shown and described.

DESCRIPTION

FIG. 1 is a top, front, right-side perspective view of a lamp unit for projector;
FIG. 2 is a bottom, rear, left-side perspective view thereof;
FIG. 3 is a front view thereof;
FIG. 4 is a rear view thereof;
FIG. 5 is a left-side view thereof;
FIG. 6 is a right-side view thereof;
FIG. 7 is a top view thereof; and,
FIG. 8 is a bottom view thereof.

The broken lines depict unclaimed portions only and form no part of the claimed design.

1 Claim, 5 Drawing Sheets



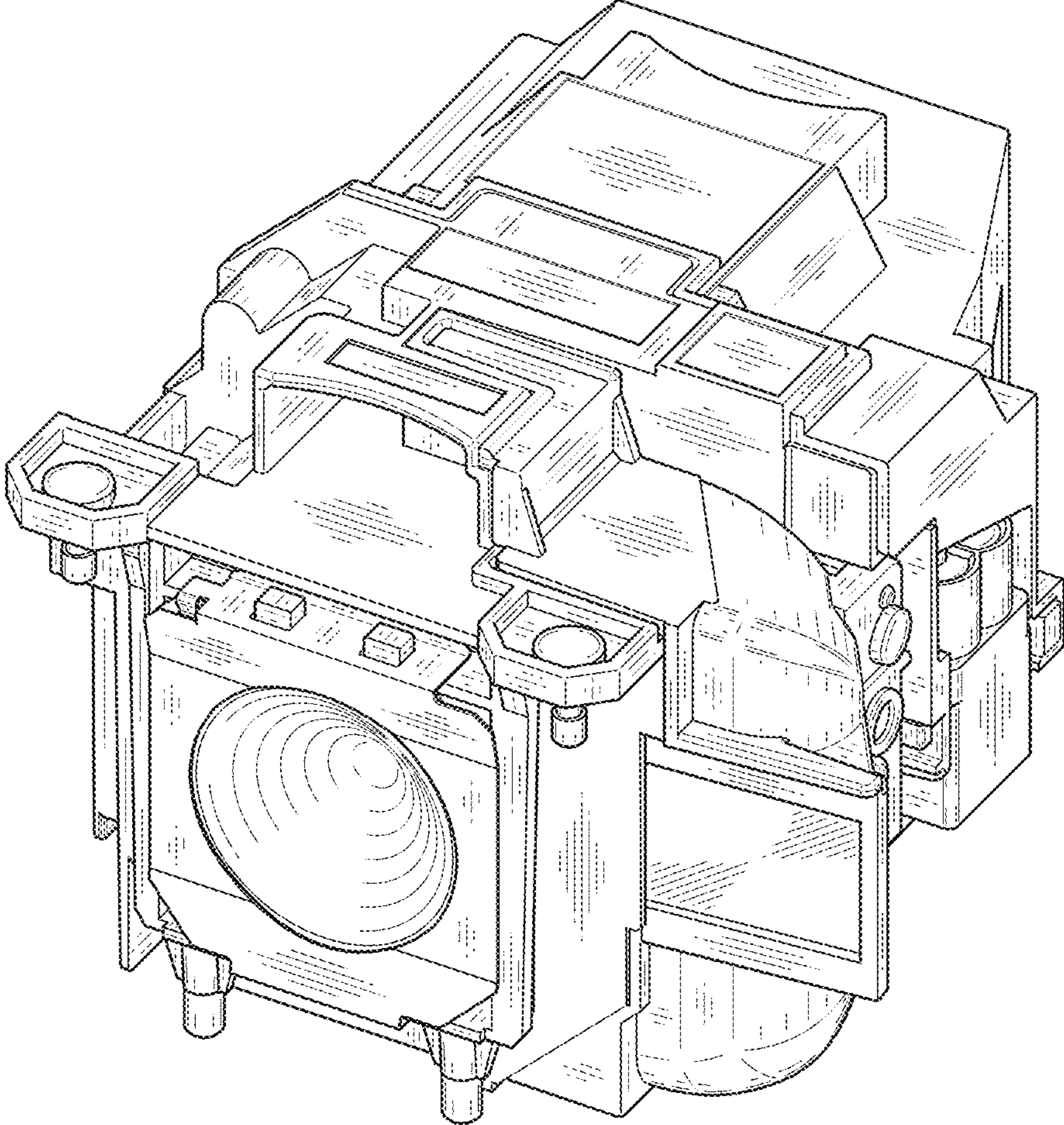


FIG. 1

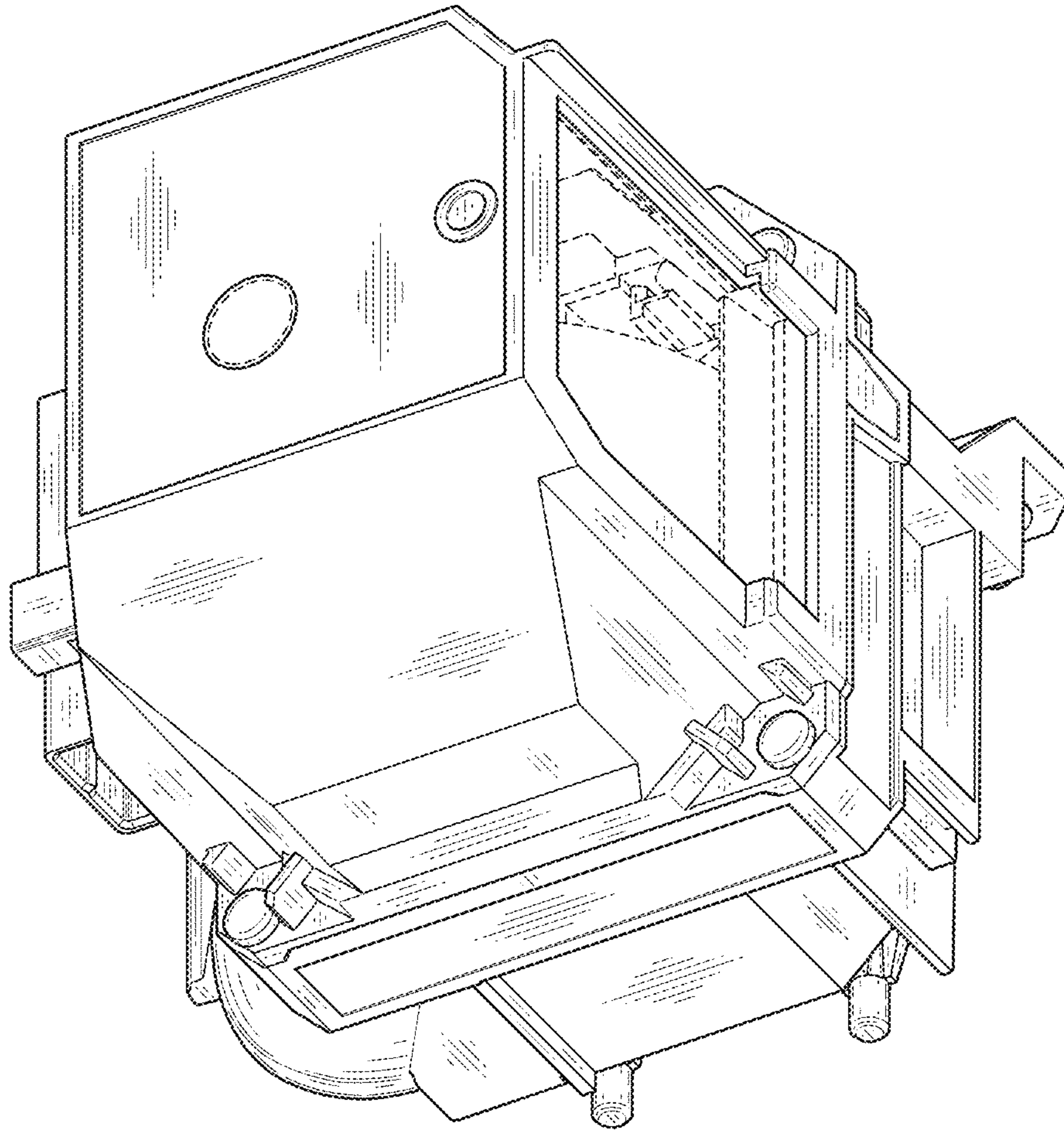


FIG. 2

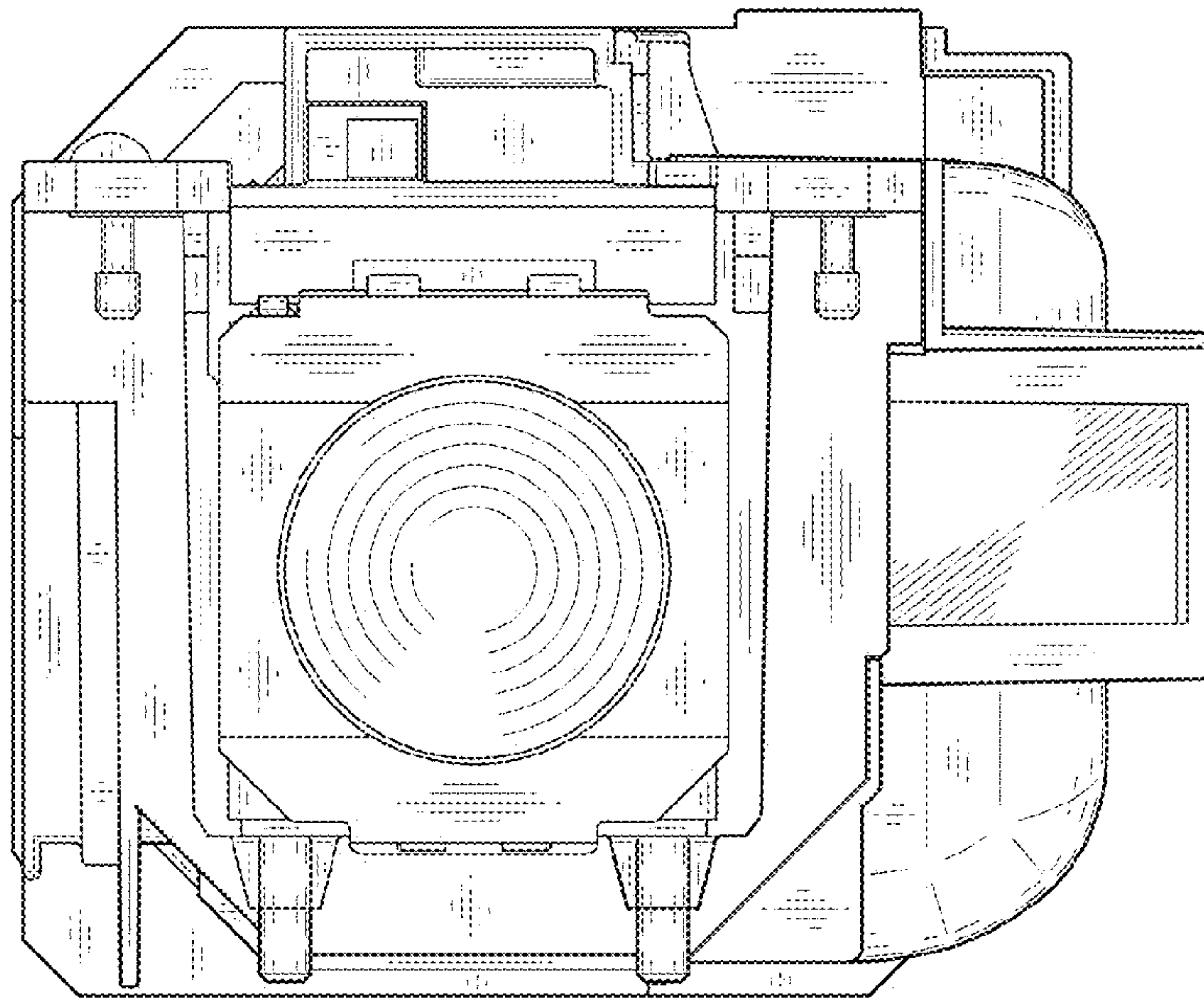


FIG. 3

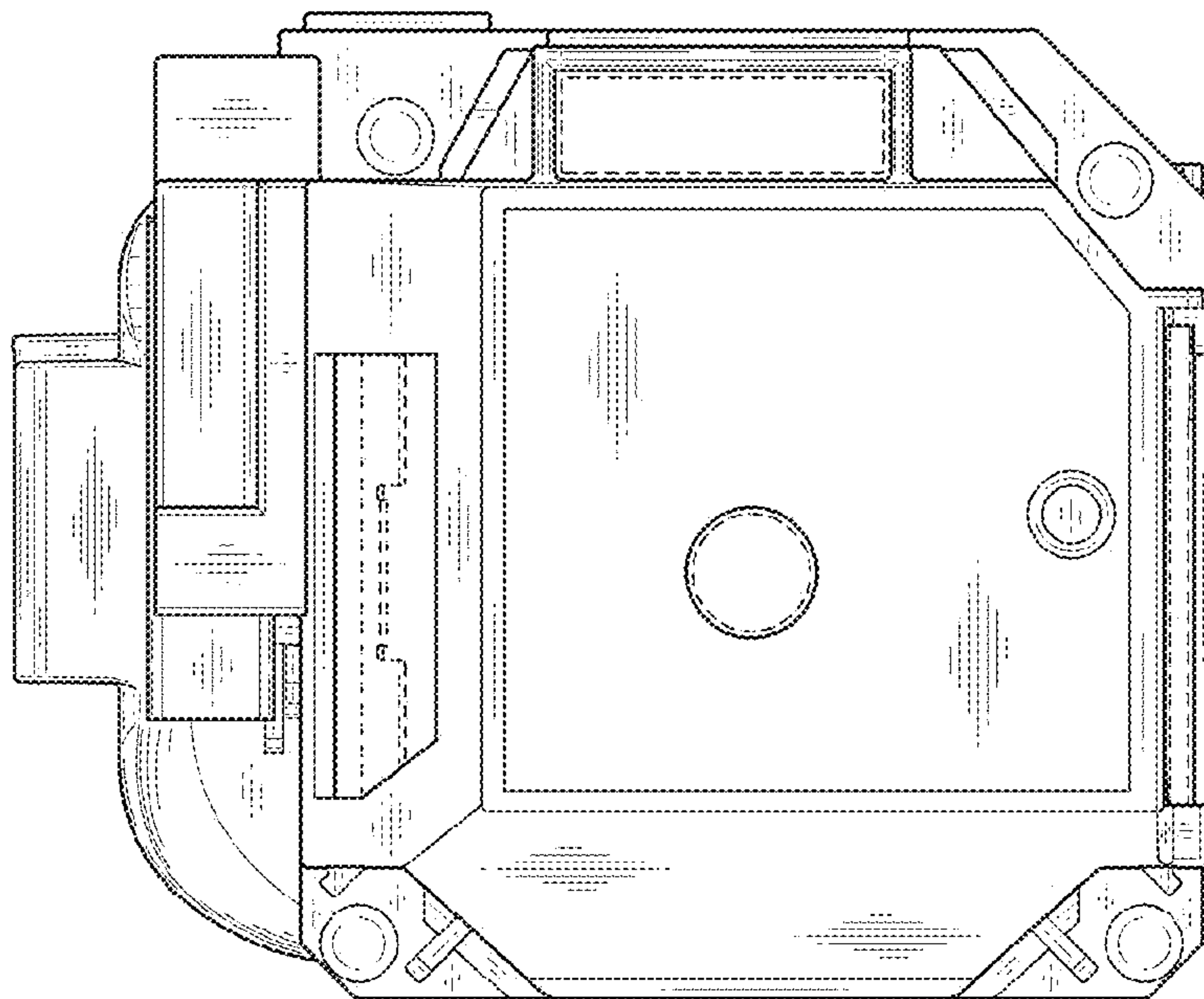


FIG. 4

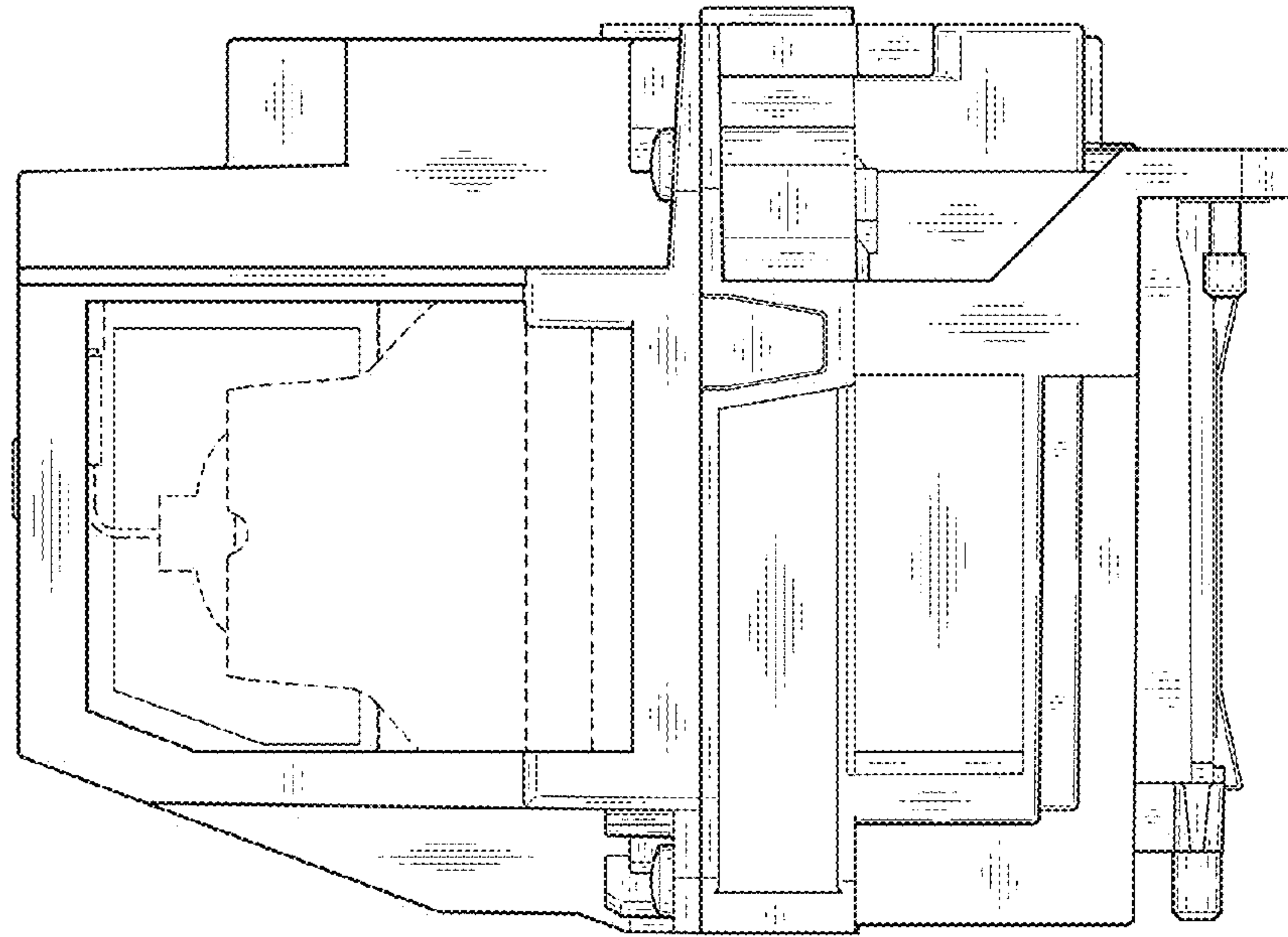


FIG. 5

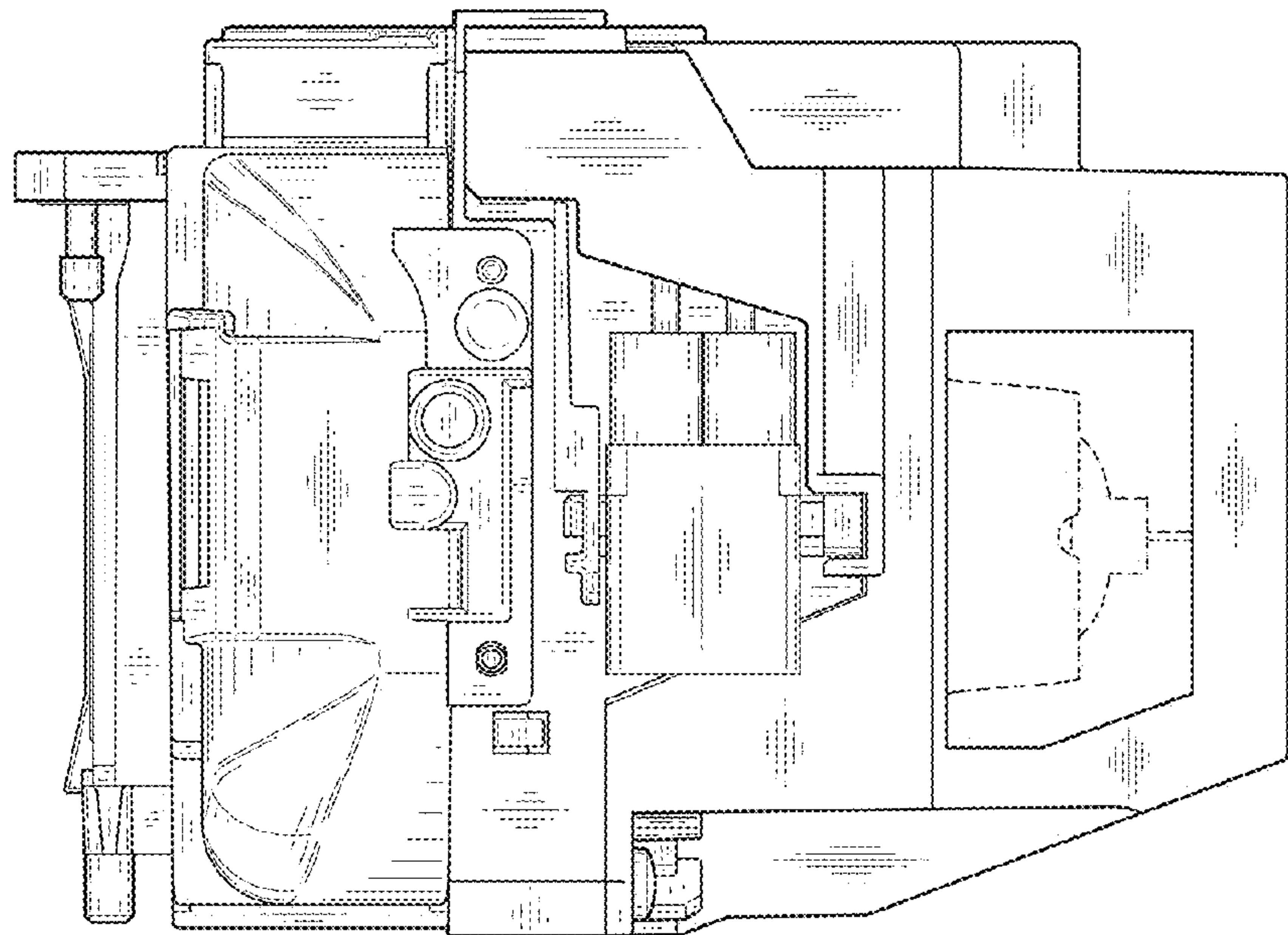


FIG. 6

FIG. 7

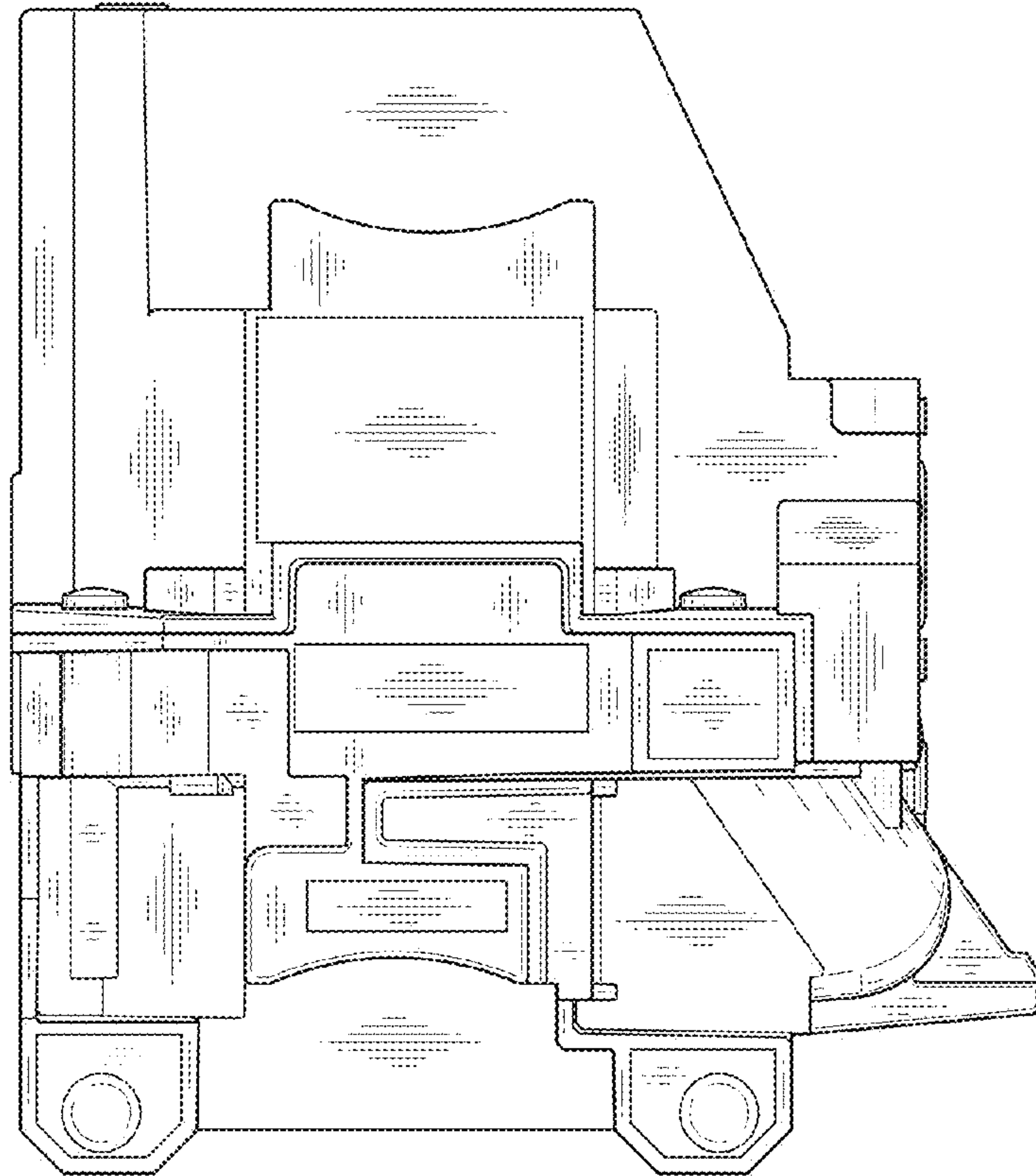


FIG. 8

