



US00D707279S

(12) **United States Design Patent**
Tang

(10) **Patent No.:** **US D707,279 S**
(45) **Date of Patent:** **** Jun. 17, 2014**

- (54) **MAGNIFIER**
- (71) Applicant: **Hawk Importers, Inc.**, Long Beach, CA (US)
- (72) Inventor: **Freeman Tang**, Kowloon (HK)
- (**) Term: **14 Years**
- (21) Appl. No.: **29/453,914**
- (22) Filed: **May 3, 2013**
- (51) **LOC (10) Cl.** **16-01**
- (52) **U.S. Cl.**
CPC **G02B 25/02** (2013.01)
USPC **D16/135**
- (58) **Field of Classification Search**
CPC G02B 25/02
USPC D16/130, 135; D14/412, 413, 414, 415, D14/416, 426, 417; D6/309; 273/148 B; D21/329; D28/64.4; 362/98, 253; 180/333; 359/802–805, 810–812, 818, 359/822, 823, 826

See application file for complete search history.

D324,060	S	*	2/1992	Huang	D16/135
5,138,535	A	*	8/1992	Aragon, Jr.	362/102
D333,313	S	*	2/1993	Hornschu et al.	D16/135
D345,568	S	*	3/1994	Feinbloom et al.	D16/136
D347,628	S	*	6/1994	Ashmun et al.	D14/417
D378,931	S	*	4/1997	Couch et al.	D14/416
D394,073	S	*	5/1998	Hennessy et al.	D16/135
5,749,577	A	*	5/1998	Couch et al.	273/148 B
D395,907	S	*	7/1998	Calello	D16/135
D428,032	S	*	7/2000	Lee	D16/135
D440,243	S	*	4/2001	Jacquet	D16/135
D565,069	S	*	3/2008	Yip et al.	D16/135
D637,220	S	*	5/2011	Levine	D16/135
D688,289	S	*	8/2013	Hodgson	D16/135
2013/0229720	A1	*	9/2013	Su	359/803

* cited by examiner

Primary Examiner — Paula Greene

(74) *Attorney, Agent, or Firm* — J. Curtis Edmondson; Law Offices of J. Curtis Edmondson

(57) **CLAIM**

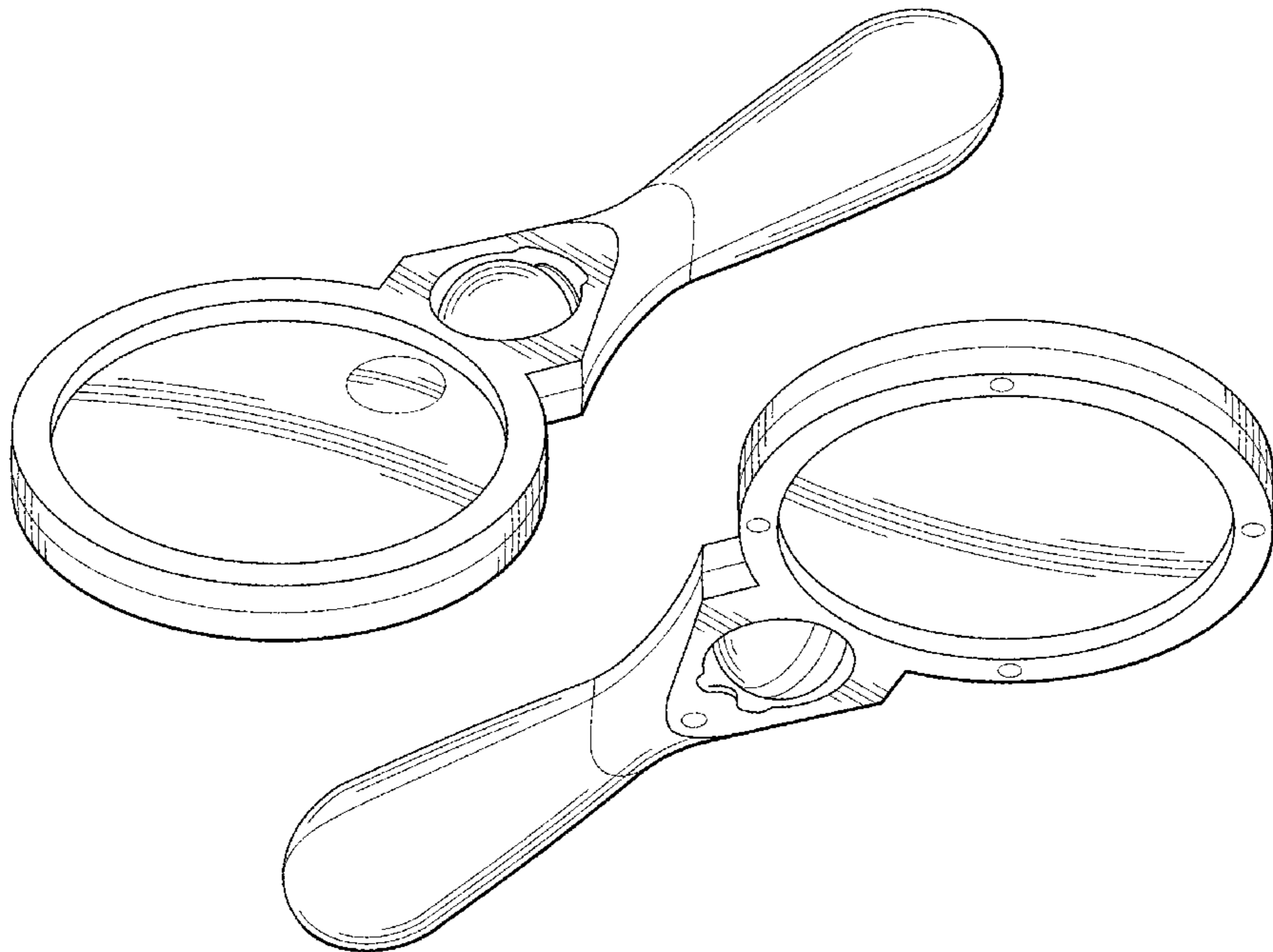
I claim the ornamental design for a magnifier, as shown and described.

DESCRIPTION

- FIG. 1 is a top perspective view of the magnifier.
- FIG. 2 is a bottom perspective view.
- FIG. 3 is a side view.
- FIG. 4 is top view.
- FIG. 5 is a bottom view.
- FIG. 6 is a front view.
- FIG. 7 is a rear view.
- FIG. 8 is a top perspective view; and,
- FIG. 9 is a bottom perspective view.

1 Claim, 4 Drawing Sheets

- (56) **References Cited**
U.S. PATENT DOCUMENTS
- | | | | | | | |
|-----------|---|---|---------|-------------|-------|-----------|
| 1,909,662 | A | * | 5/1933 | Conners | | 359/803 |
| D118,929 | S | * | 2/1940 | Friedman | | D16/135 |
| 2,322,441 | A | * | 6/1943 | Holliday | | 359/812 |
| D147,765 | S | * | 10/1947 | Silbernagel | | D16/135 |
| D163,349 | S | * | 5/1951 | Baheti | | D16/135 |
| 3,664,727 | A | * | 5/1972 | O'Donnell | | 359/667 |
| 4,336,916 | A | * | 6/1982 | Blanchard | | 248/471 |
| D311,790 | S | * | 10/1990 | Krief | | D29/121.1 |



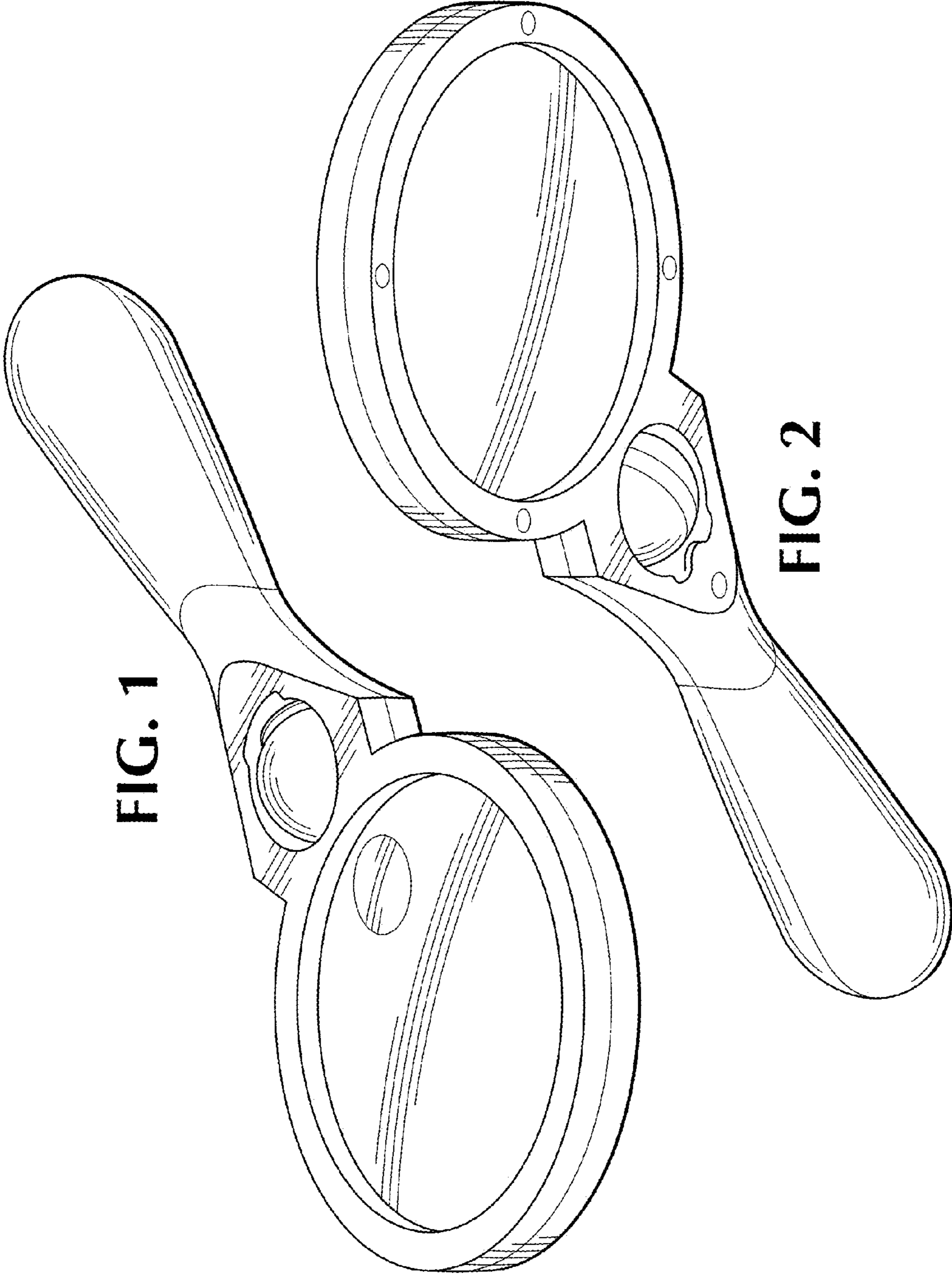


FIG. 1

FIG. 2

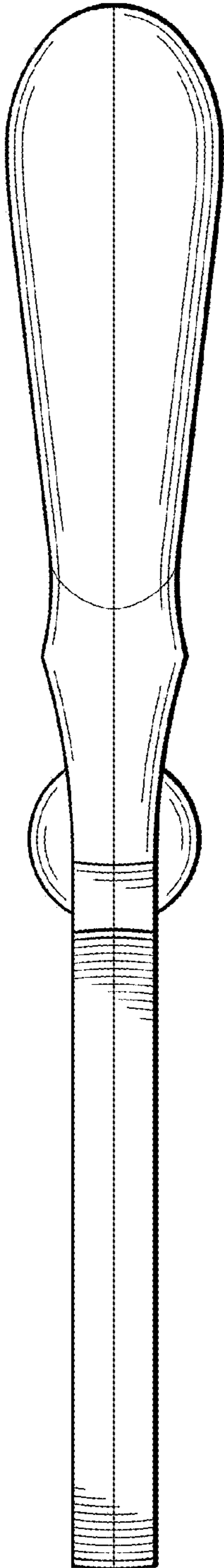


FIG. 3

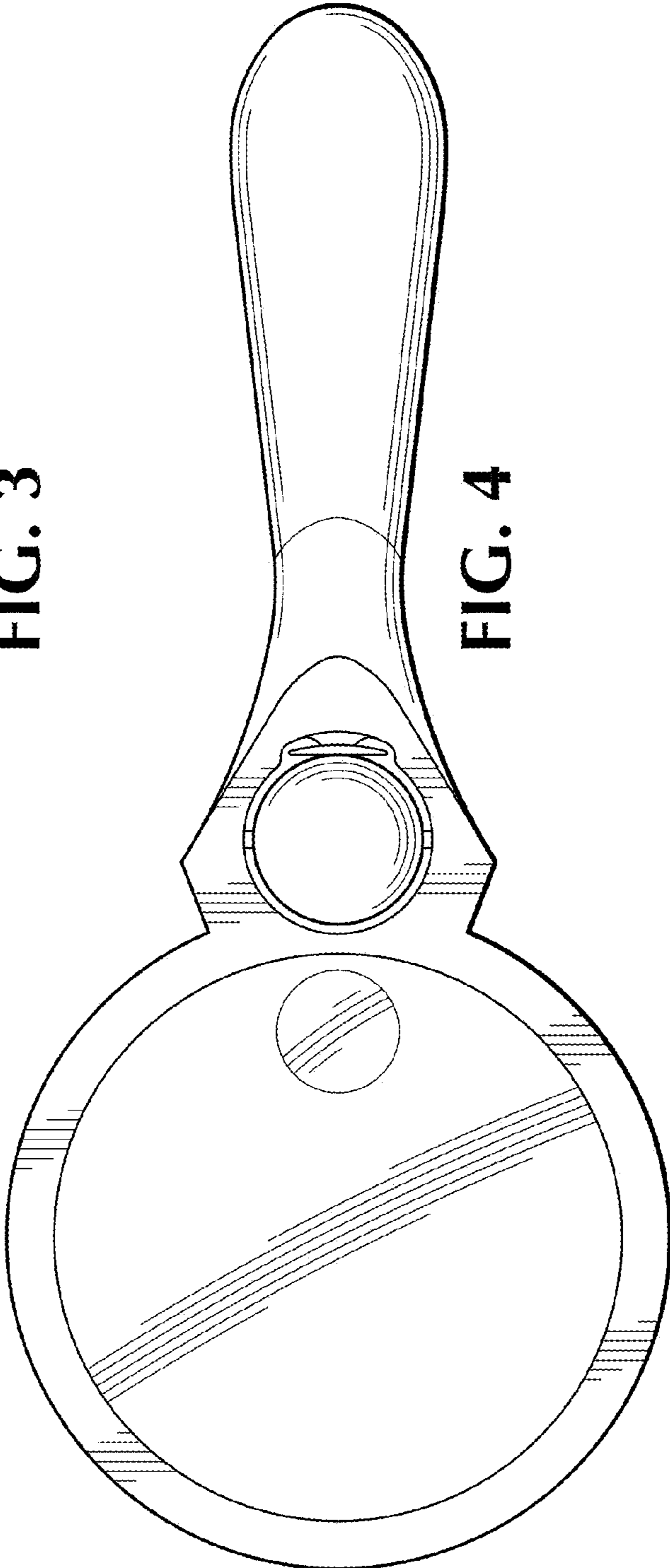


FIG. 4

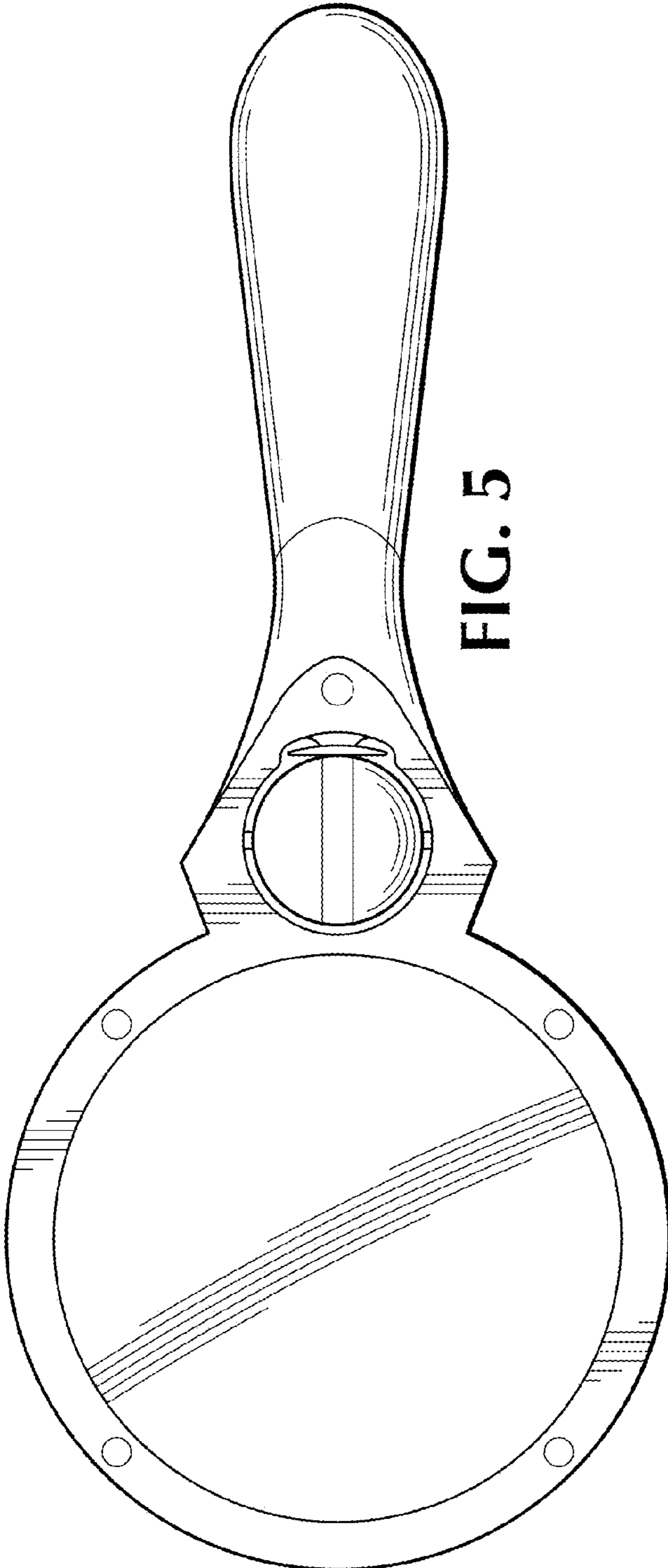


FIG. 5

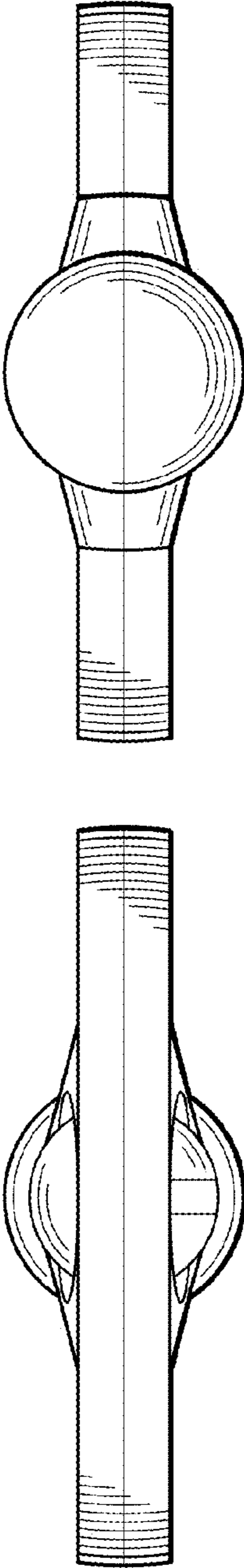


FIG. 6

FIG. 7

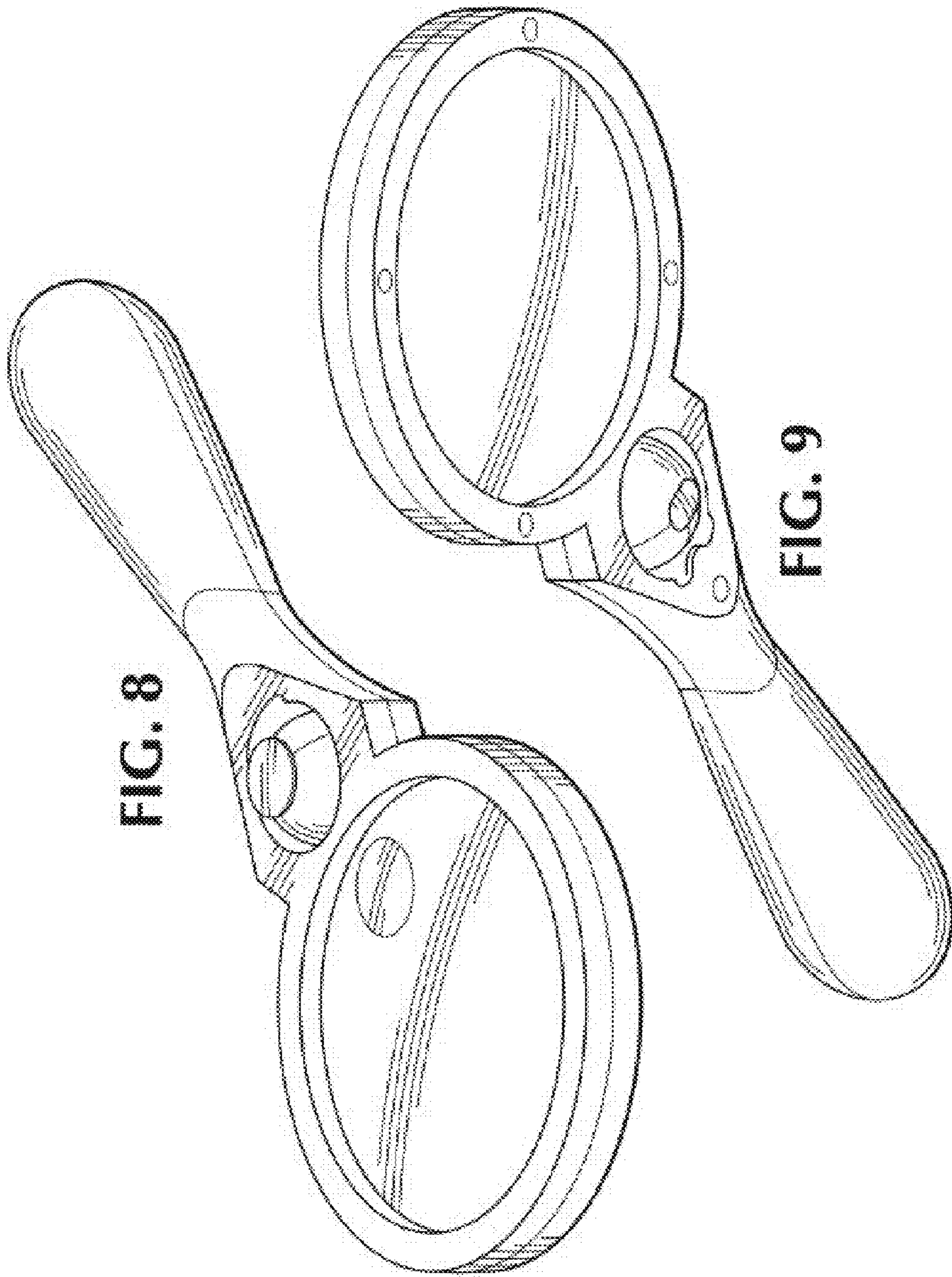


FIG. 8

FIG. 9