



US00D707277S

(12) **United States Design Patent**
Olsson et al.

(10) **Patent No.:** **US D707,277 S**
(45) **Date of Patent:** **** Jun. 17, 2014**

(54) **ROBOT**

(56) **References Cited**

(71) Applicants: **Mats Olsson**, Vasteras (SE); **Adam Bovin**, Vasteras (SE); **Jan Larsson**, Vasteras (SE); **Ola Svanstrom**, Vasteras (SE); **Sara Lager**, Vasteras (SE); **Mattias Lovemark**, Vasteras (SE)

(72) Inventors: **Mats Olsson**, Vasteras (SE); **Adam Bovin**, Vasteras (SE); **Jan Larsson**, Vasteras (SE); **Ola Svanstrom**, Vasteras (SE); **Sara Lager**, Vasteras (SE); **Mattias Lovemark**, Vasteras (SE)

(73) Assignee: **ABB Technology Ltd.** (CH)

(**) Term: **14 Years**

(21) Appl. No.: **29/476,673**

(22) Filed: **Dec. 16, 2013**

(30) **Foreign Application Priority Data**

Jun. 14, 2013 (EM) 002255786-0001

(51) **LOC (10) Cl.** **15-99**

(52) **U.S. Cl.**
USPC **D15/199**

(58) **Field of Classification Search**
USPC D15/122, 199; D24/176; D34/35;
74/490.01, 490.02, 490.03, 490.05;
198/370.1, 370.04, 722, 771, 782, 866,
198/890, 890.1; 219/124.34, 639; 318/560;
414/744.1, 935, 936, 937, 938, 940

See application file for complete search history.

U.S. PATENT DOCUMENTS

| | | | | | | |
|--------------|----|---|---------|----------------|-------|-----------|
| D344,279 | S | * | 2/1994 | Koyama et al. | | D15/199 |
| D344,280 | S | * | 2/1994 | Koyama et al. | | D15/199 |
| D444,488 | S | * | 7/2001 | Selic et al. | | D15/199 |
| D615,574 | S | * | 5/2010 | Liu et al. | | D15/199 |
| D616,477 | S | * | 5/2010 | Long et al. | | D15/199 |
| D616,909 | S | * | 6/2010 | Long | | D15/199 |
| D624,104 | S | * | 9/2010 | Miyake et al. | | D15/199 |
| D629,030 | S | * | 12/2010 | Long et al. | | D15/199 |
| D638,044 | S | * | 5/2011 | Ikoma et al. | | D15/199 |
| D638,455 | S | * | 5/2011 | Long | | D15/199 |
| D650,820 | S | * | 12/2011 | Long | | D15/199 |
| D651,627 | S | * | 1/2012 | Long | | D15/199 |
| D670,319 | S | * | 11/2012 | Liu et al. | | D15/199 |
| D690,753 | S | * | 10/2013 | Liu et al. | | D15/199 |
| 2005/0092122 | A1 | * | 5/2005 | Markert et al. | | 74/490.01 |
| 2005/0204850 | A1 | * | 9/2005 | Nihei et al. | | 74/490.01 |
| 2011/0303042 | A1 | * | 12/2011 | Pan et al. | | 74/490.05 |

* cited by examiner

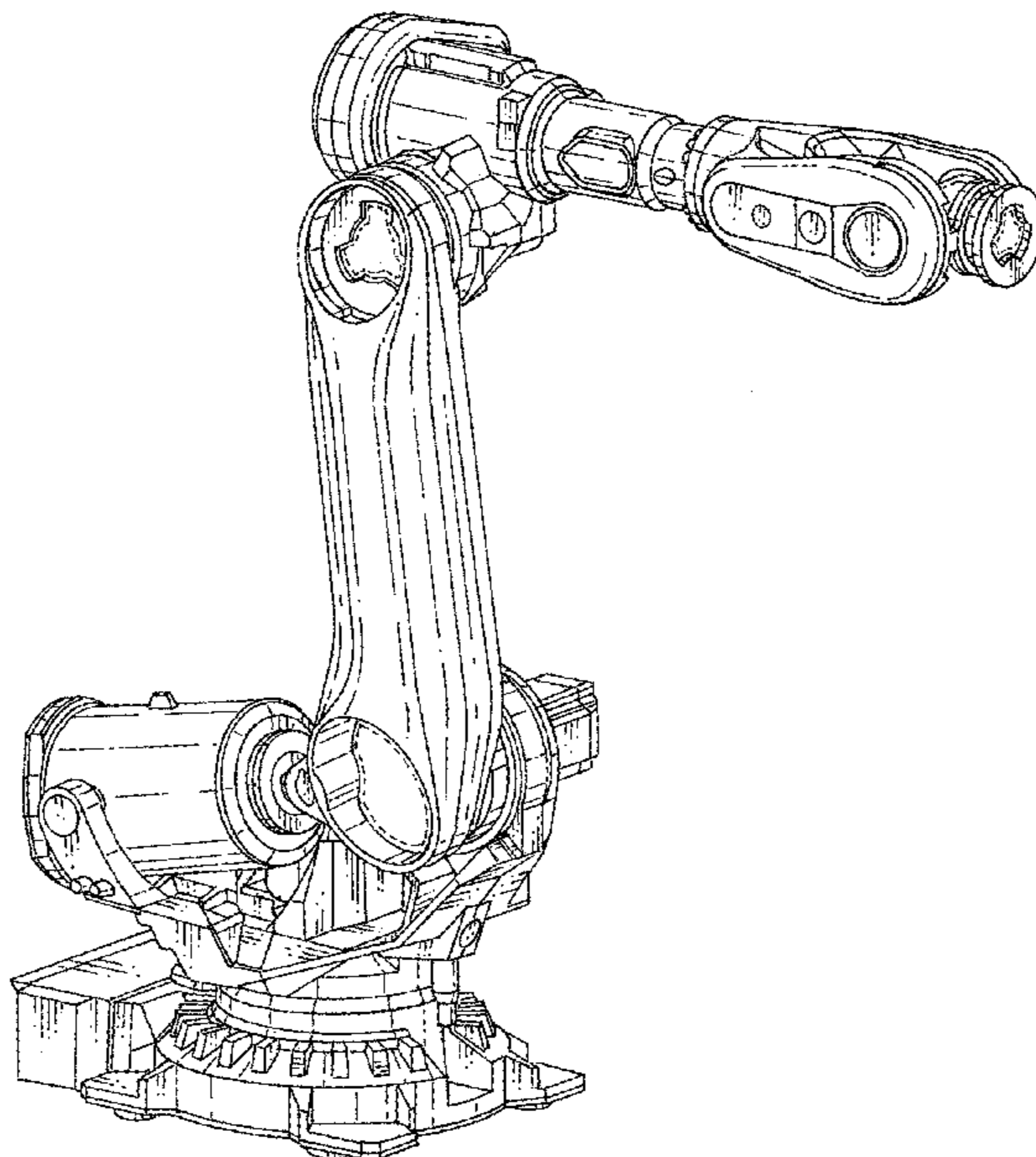
Primary Examiner — Patricia Palasik
(74) *Attorney, Agent, or Firm* — St. Onge Steward Johnston & Reens LLC

(57) **CLAIM**
The ornamental design for a robot, as shown and described.

DESCRIPTION

FIG. 1 is a front right side isometric view of a robot in accordance with the new design;
FIG. 2 is a rear left side isometric view thereof;
FIG. 3 is a front elevational view thereof;
FIG. 4 is a rear elevational view thereof;
FIG. 5 is a right side elevational view thereof;
FIG. 6 is a left side elevational view thereof; and,
FIG. 7 is a top plan view thereof.
The broken lines shown in FIGS. 1, 3, and 5 are for the purpose of illustrating portions of the robot that form no part of the claimed design.

1 Claim, 7 Drawing Sheets



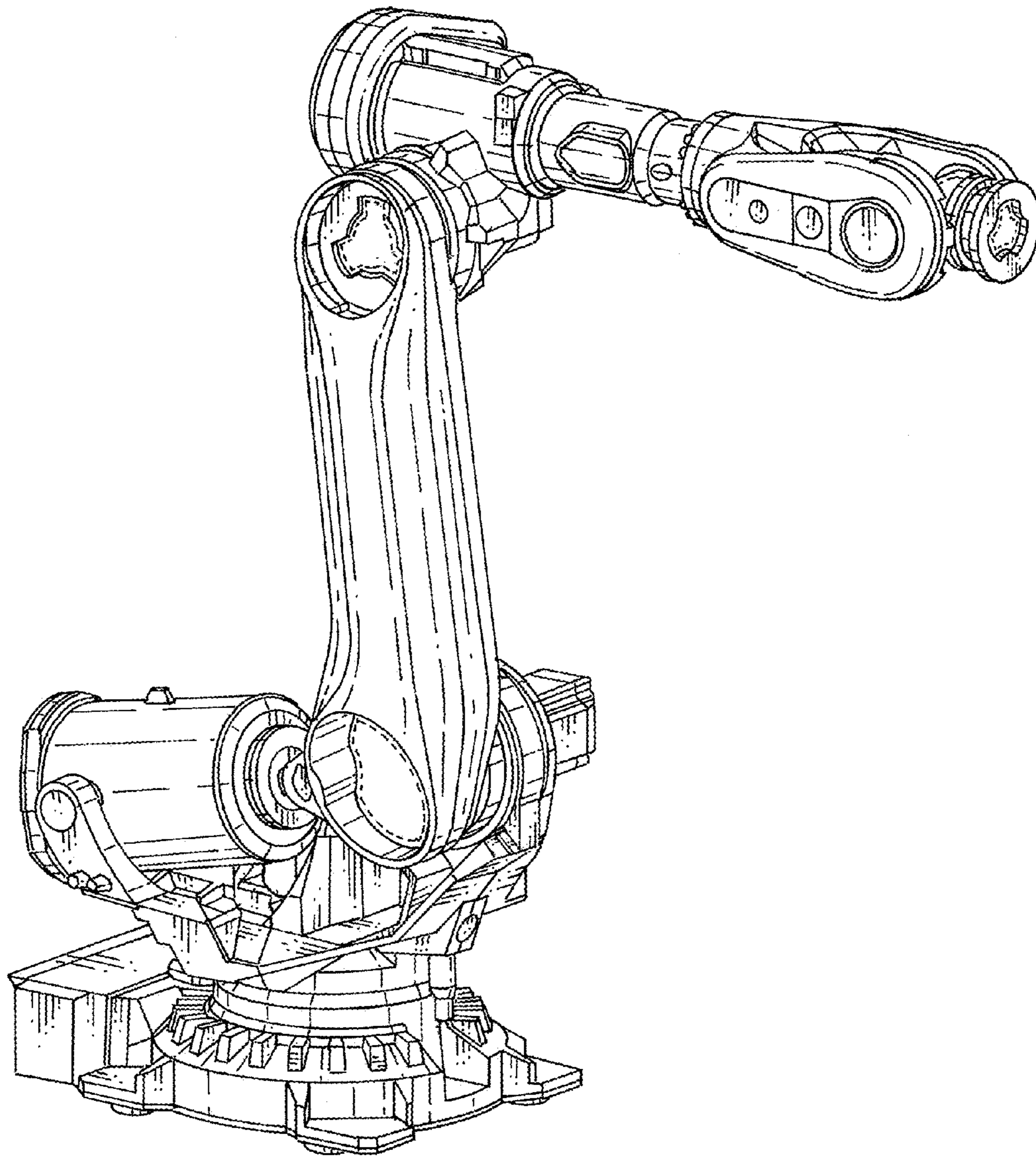


FIG. 1

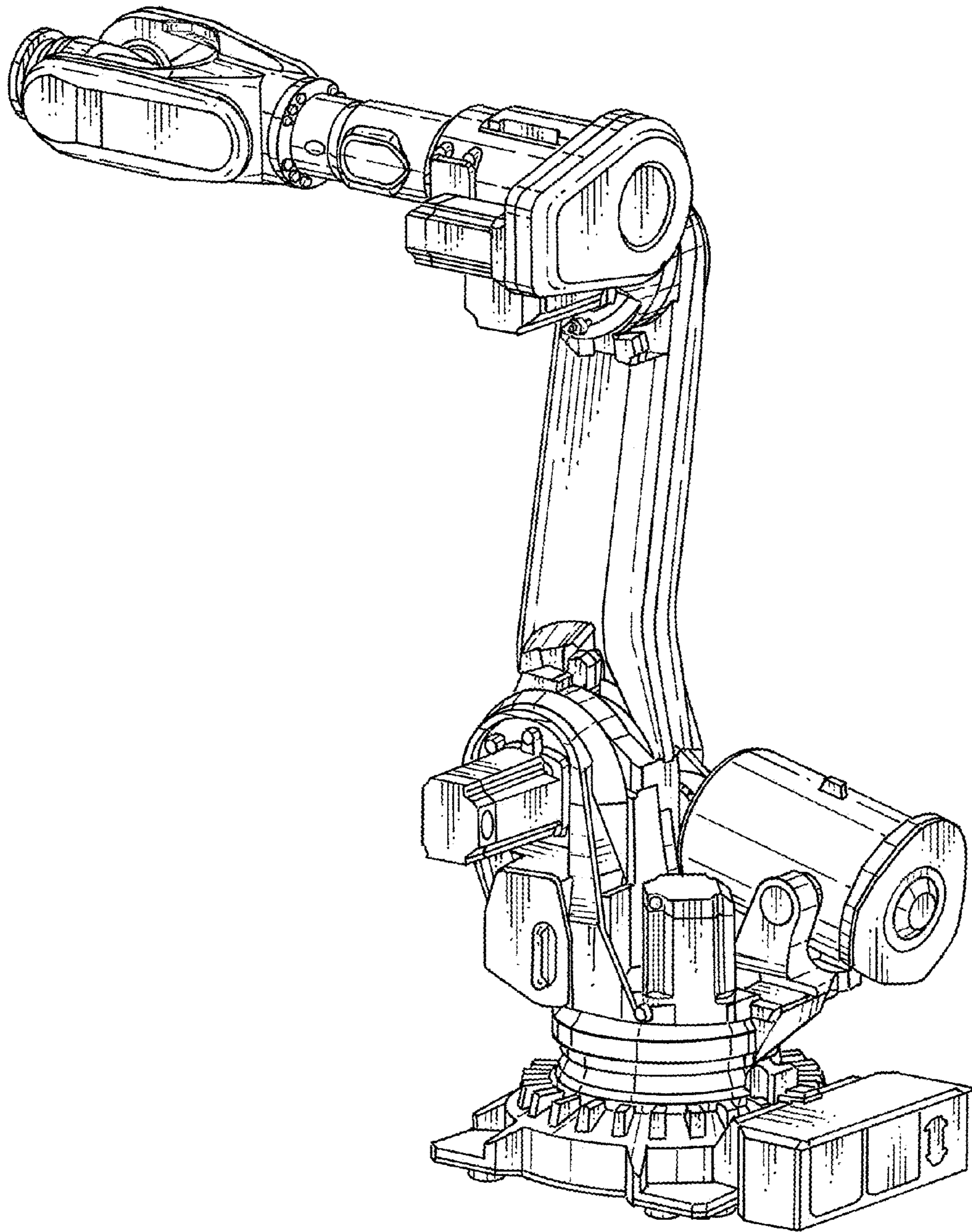


FIG. 2

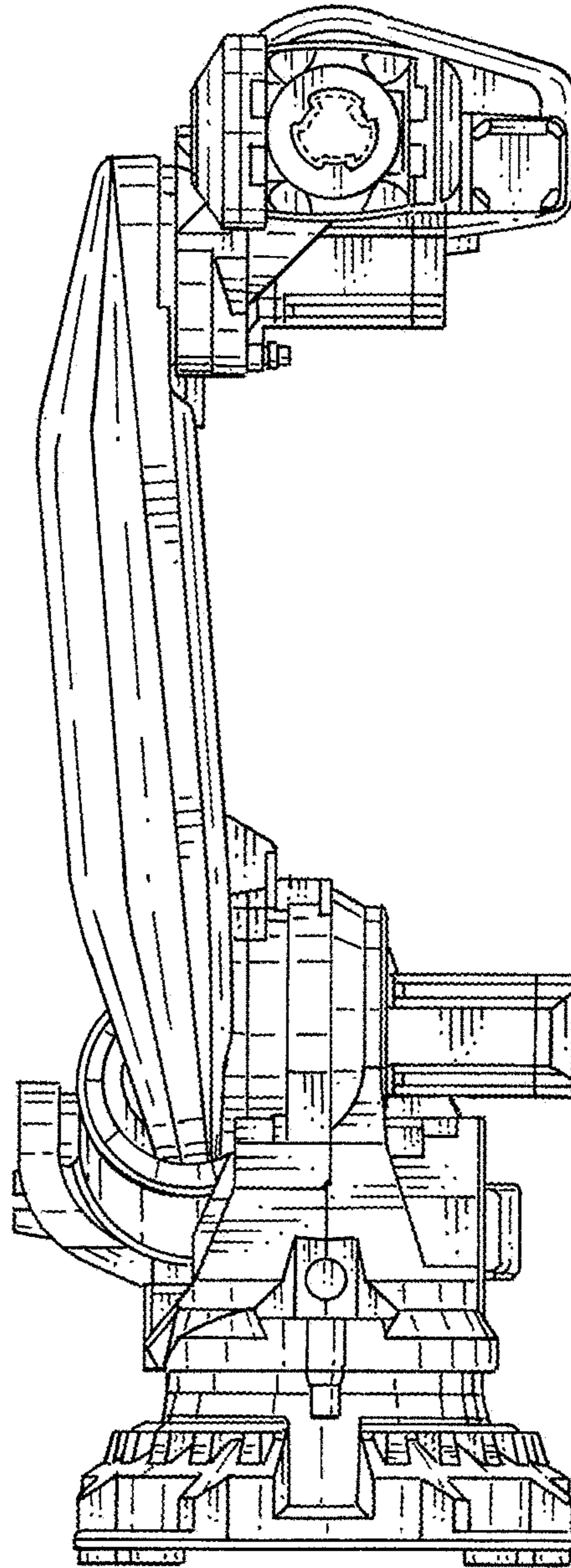


FIG. 3

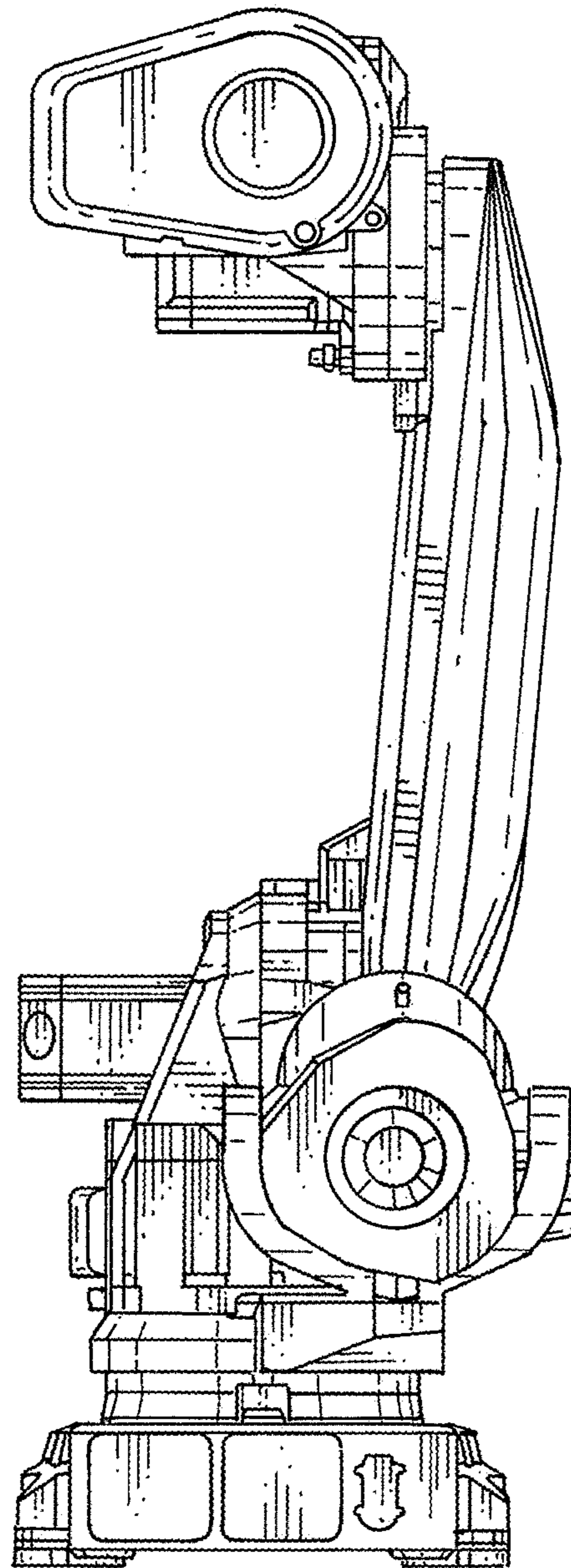


FIG. 4

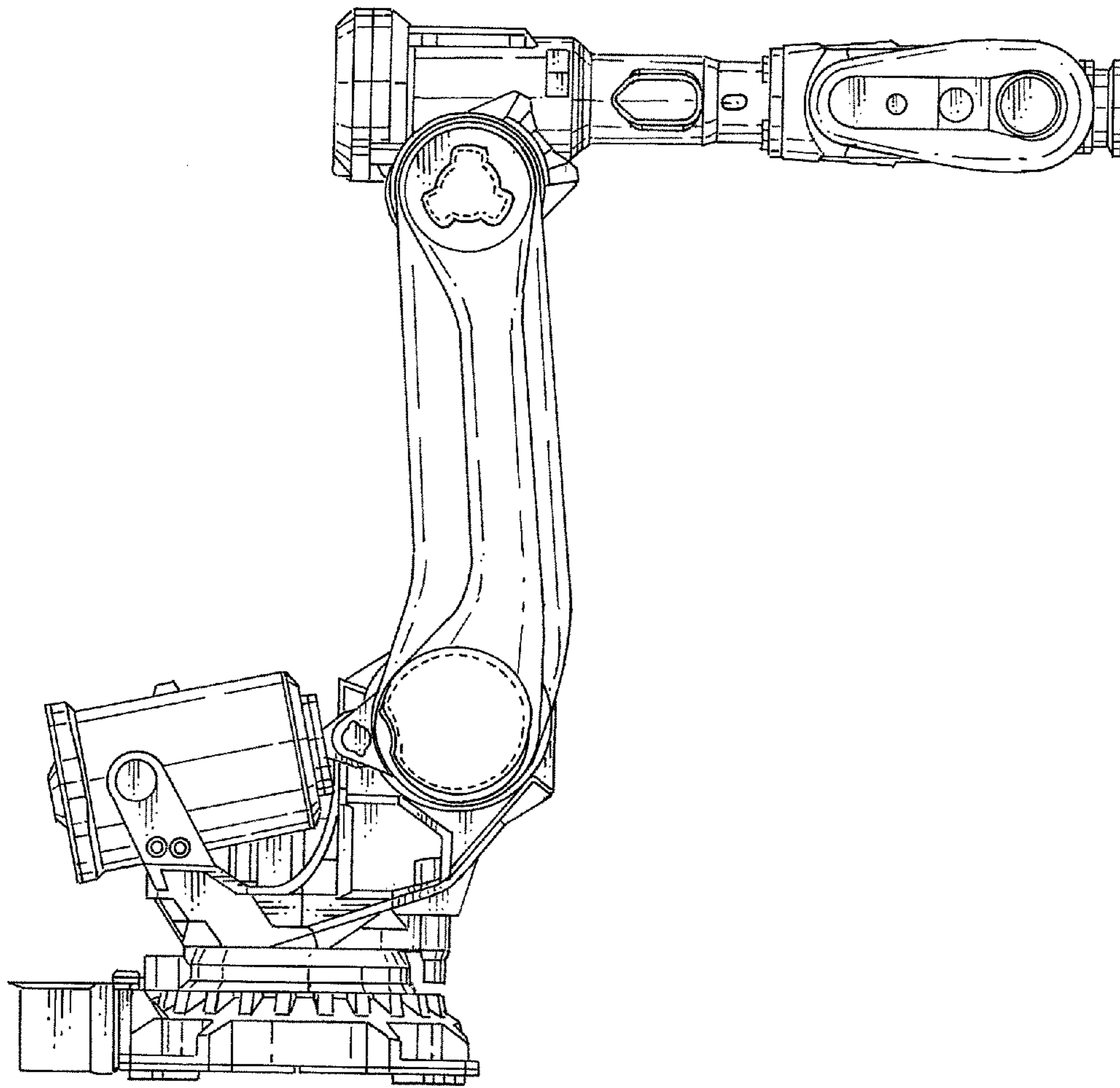


FIG. 5

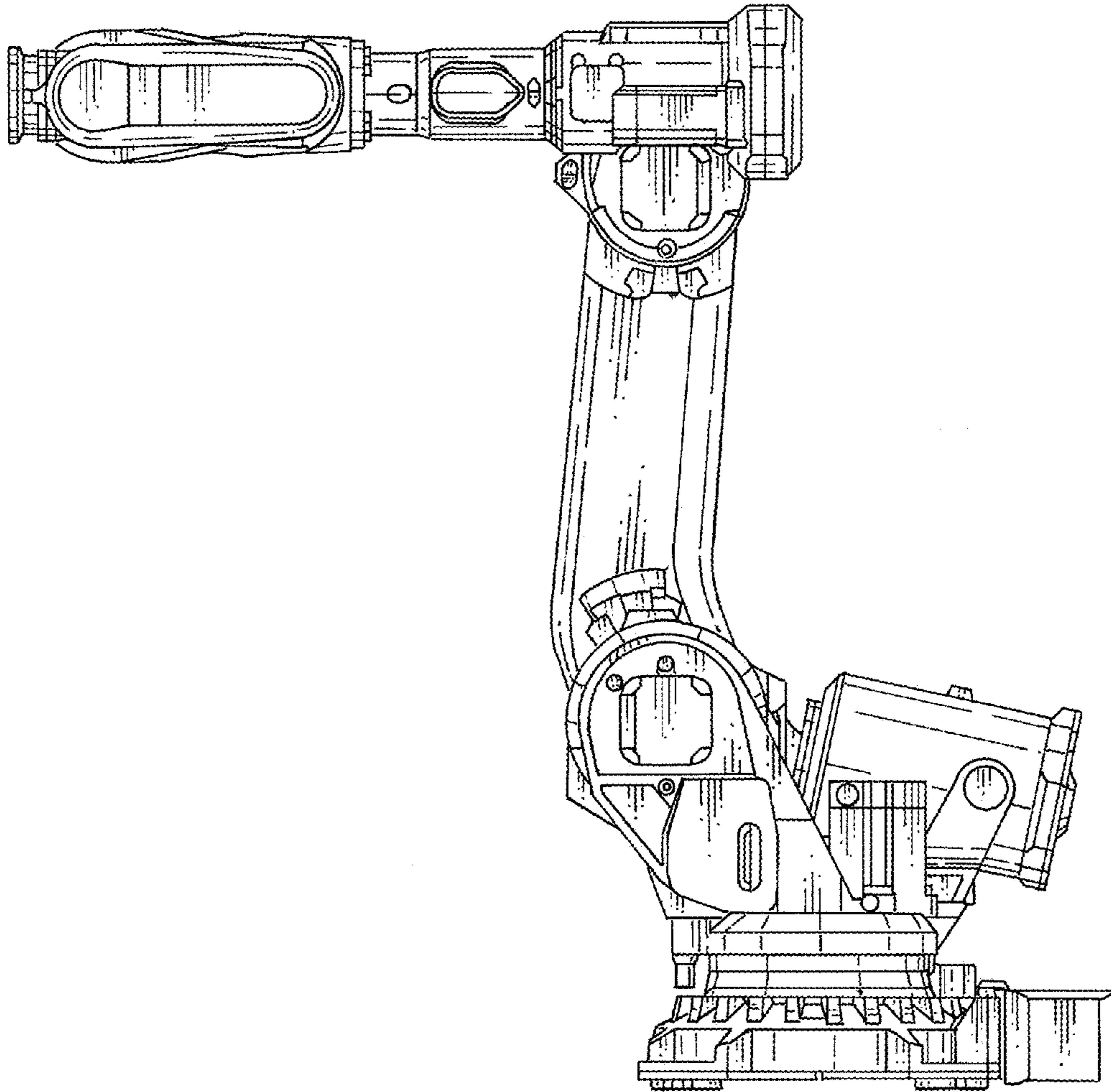


FIG. 6

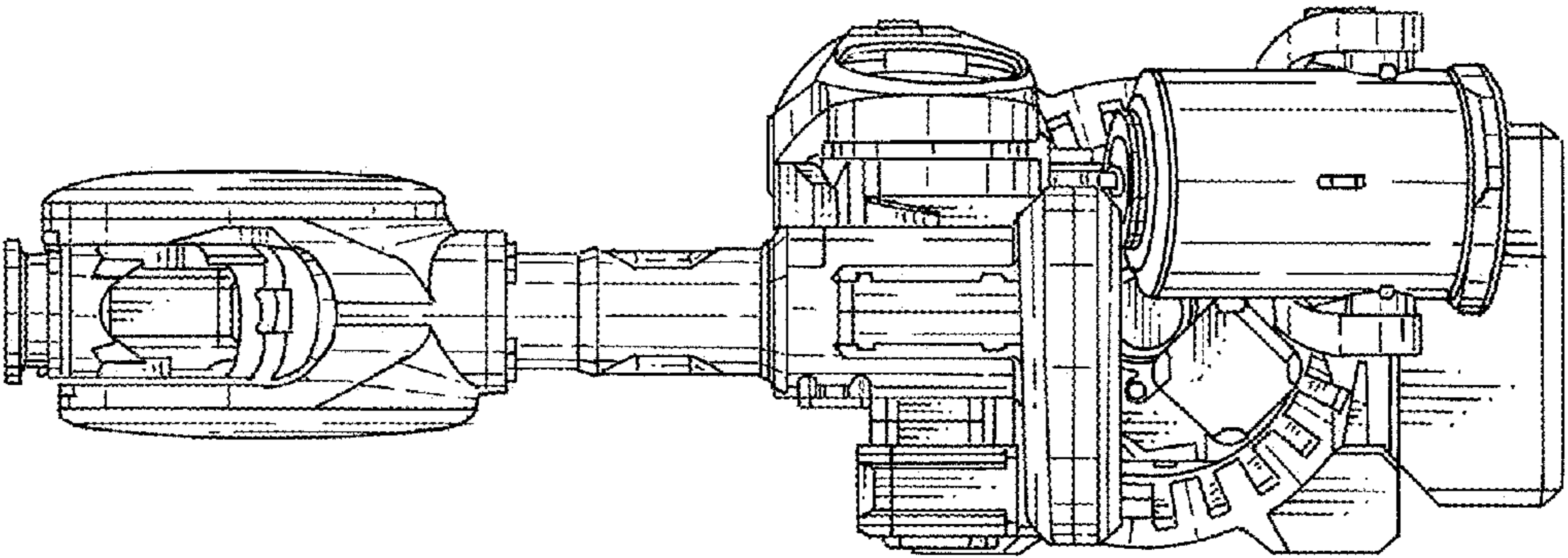


FIG. 7