



US00D707276S

(12) **United States Design Patent**
Norman et al.

(10) **Patent No.:** **US D707,276 S**
(45) **Date of Patent:** **** Jun. 17, 2014**

(54) **ROBOTIC MICO-CONTROLLER**

(56)

References Cited

(71) Applicant: **Innovation First, Inc.**, Greenville, TX (US)

(72) Inventors: **David Anthony Norman**, Greenville, TX (US); **Robert H. Mimplitch, III**, Rowlett, TX (US); **Paul David Copioli**, Rockwall, TX (US); **Gregory James Lavender**, Rockwall, TX (US); **Aren Calder Hill**, Rockford, IL (US); **Douglas Michael Galletti**, Allen, TX (US); **John Edward Vielkind-Neun**, Rockwall, TX (US); **Arthur Philip Dutra, IV**, Greenville, TX (US)

(73) Assignee: **Innovation First, Inc.**, Greenville, TX (US)

(**) Term: **14 Years**

(21) Appl. No.: **29/451,416**

(22) Filed: **Apr. 2, 2013**

(51) **LOC (10) Cl.** **15-99**

(52) **U.S. Cl.**
USPC **D15/199**

(58) **Field of Classification Search**
USPC D15/199; 74/490.01, 490.02, 490.03, 74/490.05; 137/624.11; 239/69; 315/152, 315/158; 318/560; 361/622, 627, 628, 643; 700/99, 284; 702/150

See application file for complete search history.

U.S. PATENT DOCUMENTS

D431,535 S *	10/2000	Kubis et al.	D13/164
D568,421 S *	5/2008	Sonoda	D21/566
D612,813 S *	3/2010	Paul	D13/162
D621,794 S *	8/2010	Haeske et al.	D13/164
D630,952 S *	1/2011	Nies et al.	D10/40
D646,239 S *	10/2011	Chandler et al.	D13/184
D670,392 S *	11/2012	Kagawa	D24/177
D679,258 S *	4/2013	Moore et al.	D13/162.1
D680,501 S *	4/2013	Elliott et al.	D13/162
D691,967 S *	10/2013	Chun et al.	D13/162
D691,968 S *	10/2013	Schmuckle et al.	D13/162

* cited by examiner

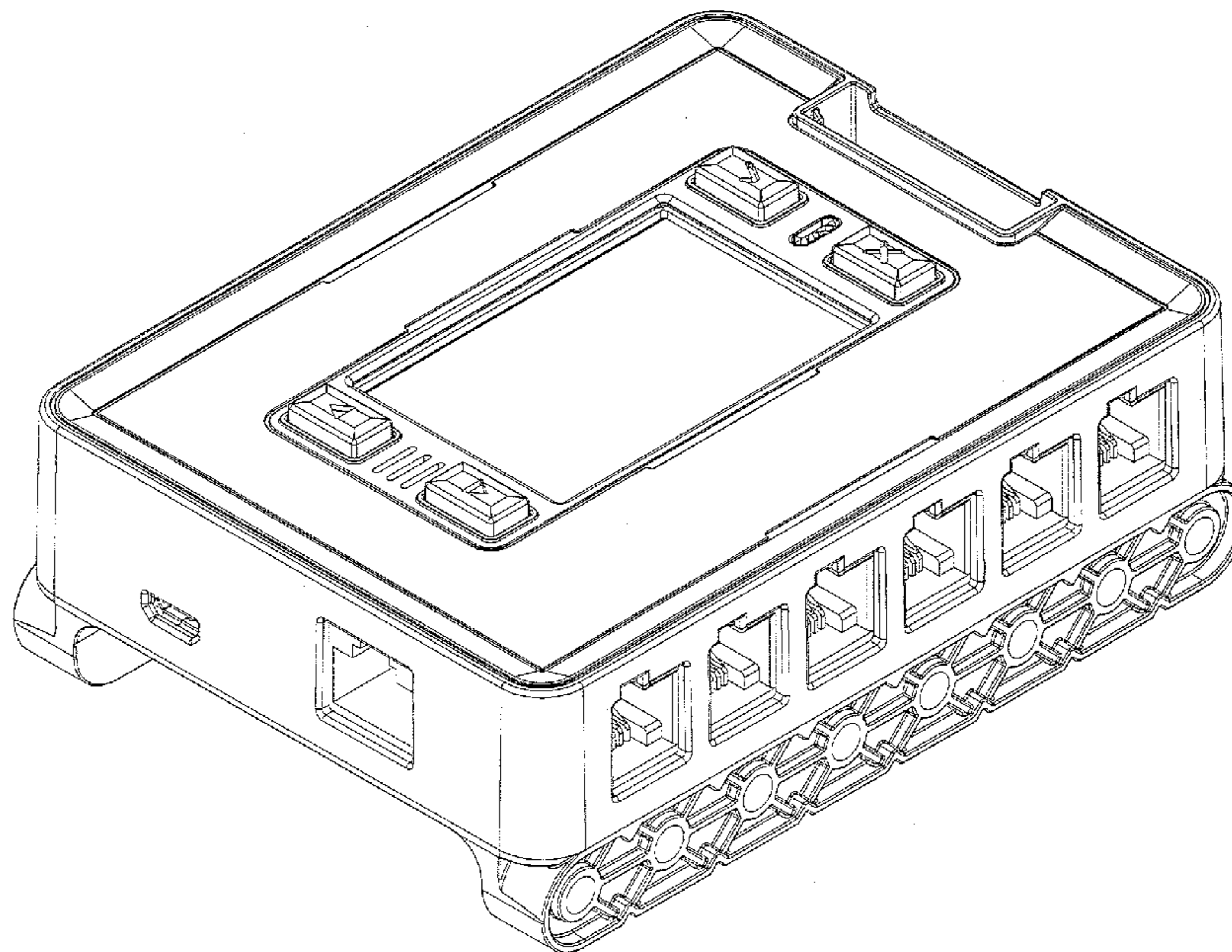
Primary Examiner — Patricia Palasik
(74) *Attorney, Agent, or Firm* — Adam K. Sacharoff; Much Shelist

(57) **CLAIM**
The ornamental design for a robotic mico-controller, as shown and described.

DESCRIPTION

FIG. 1 is a front-top perspective view of a robotic mico-controller;
FIG. 2 is a rear-side perspective view of FIG. 1;
FIG. 3 is a front-bottom perspective view of FIG. 1;
FIG. 4 is a top side view of FIG. 1;
FIG. 5 is a bottom side view of FIG. 1;
FIG. 6 is a right side view of FIG. 1;
FIG. 7 is a left side view of FIG. 1;
FIG. 8 is a front side view of FIG. 1; and,
FIG. 9 is a rear side view of FIG. 1.
The surface lines are for the purpose of illustrating portions of the environmental structure and forms no part of the claimed embodiments and design.

1 Claim, 9 Drawing Sheets



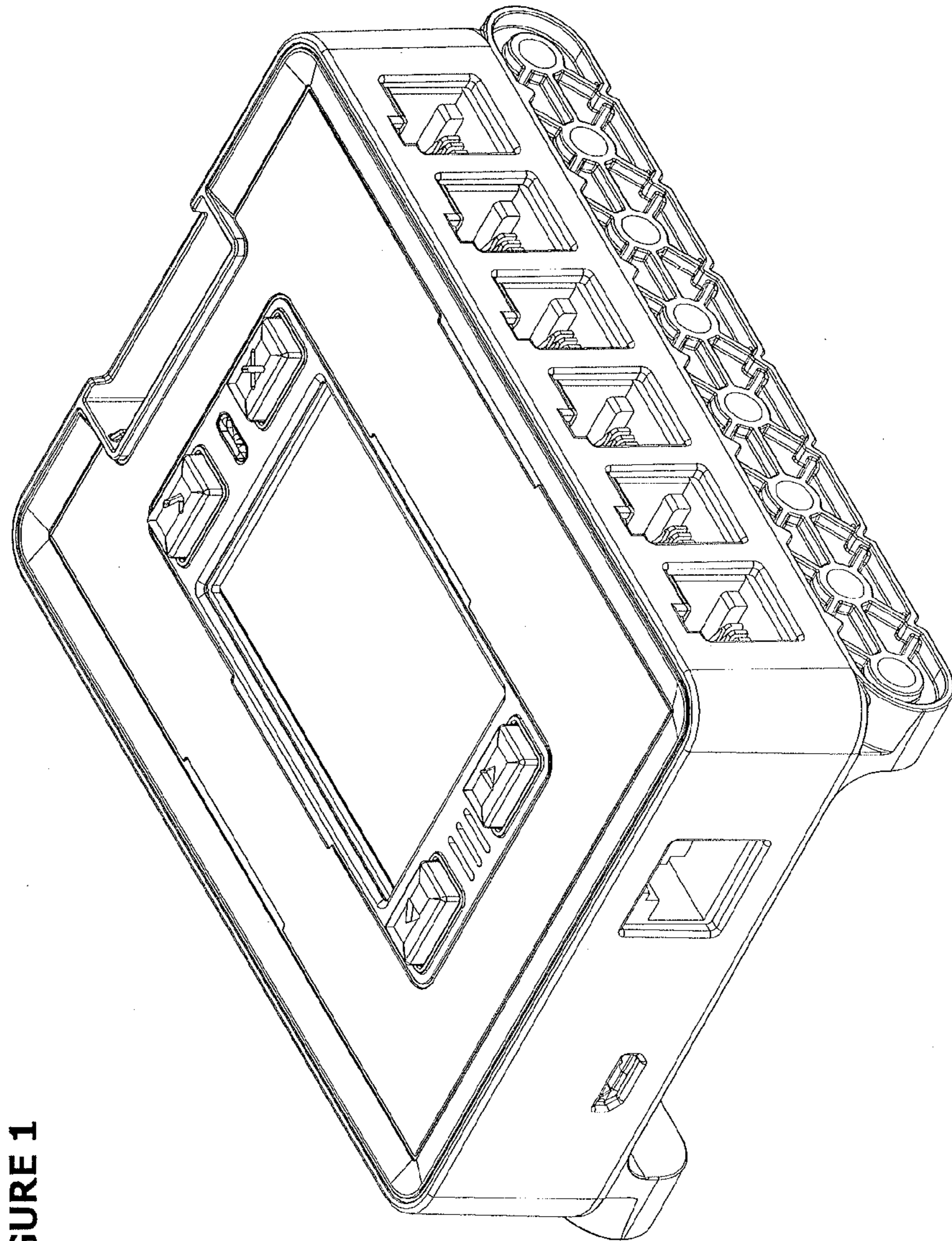


FIGURE 1

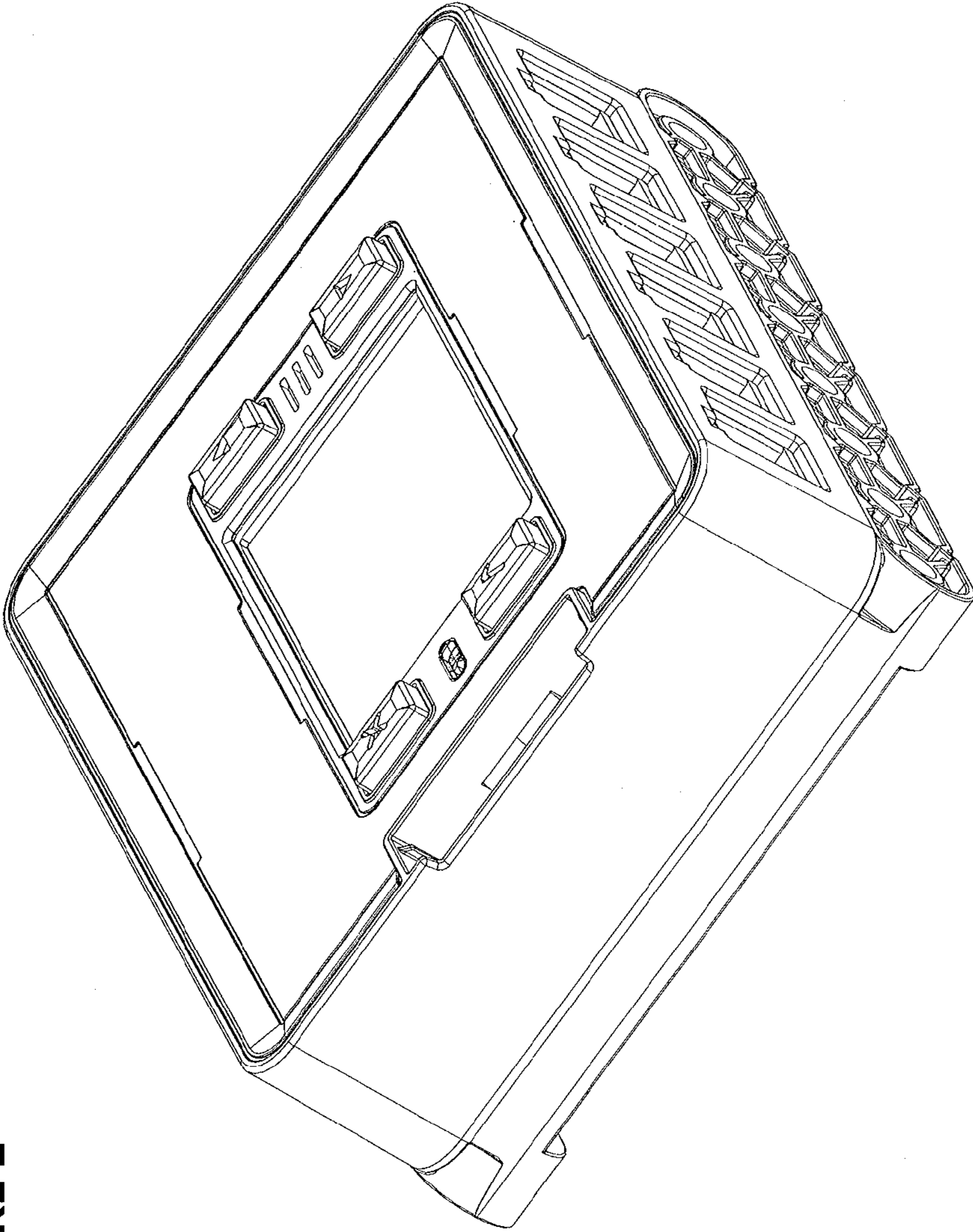


FIGURE 2

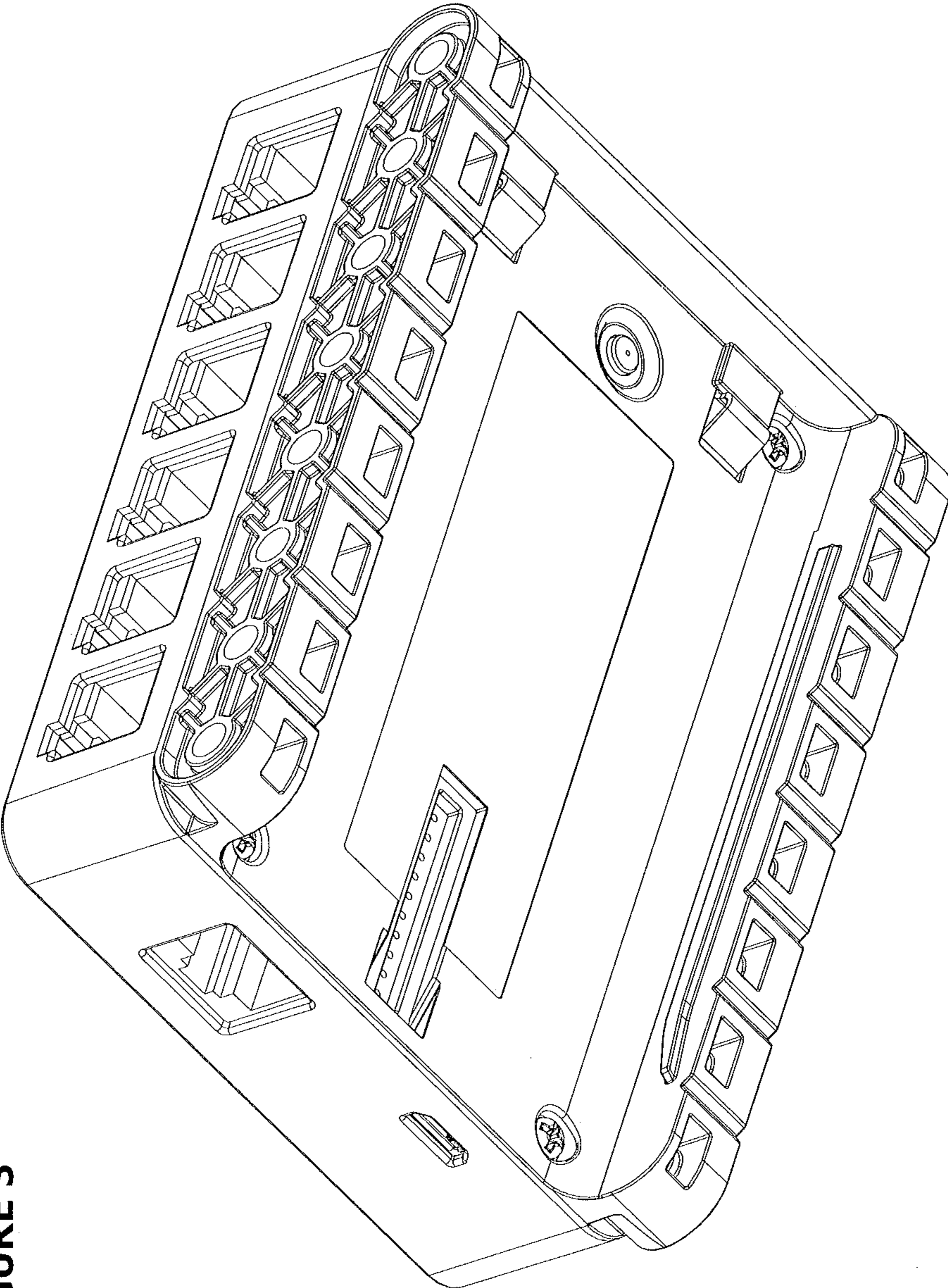


FIGURE 3

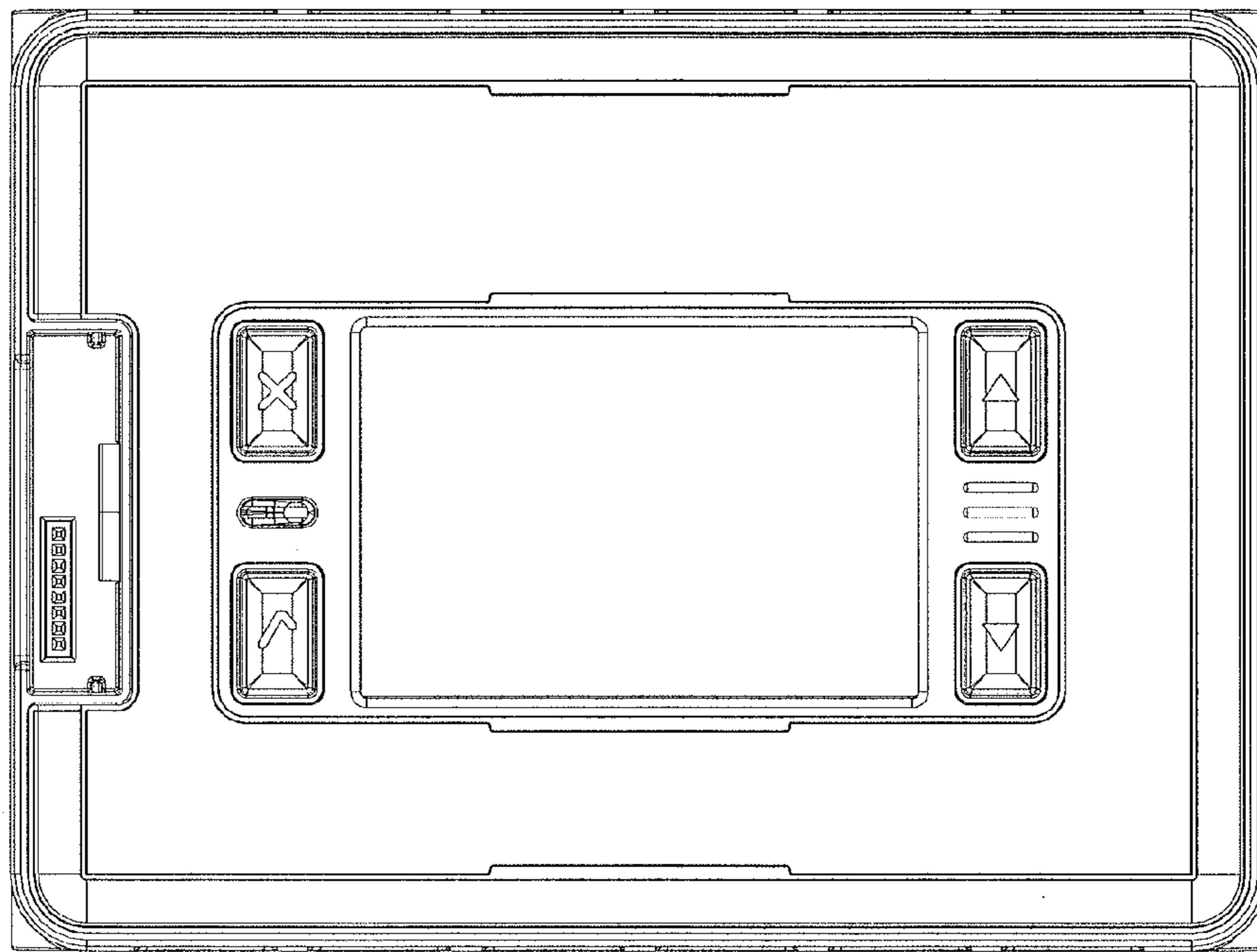


FIGURE 4

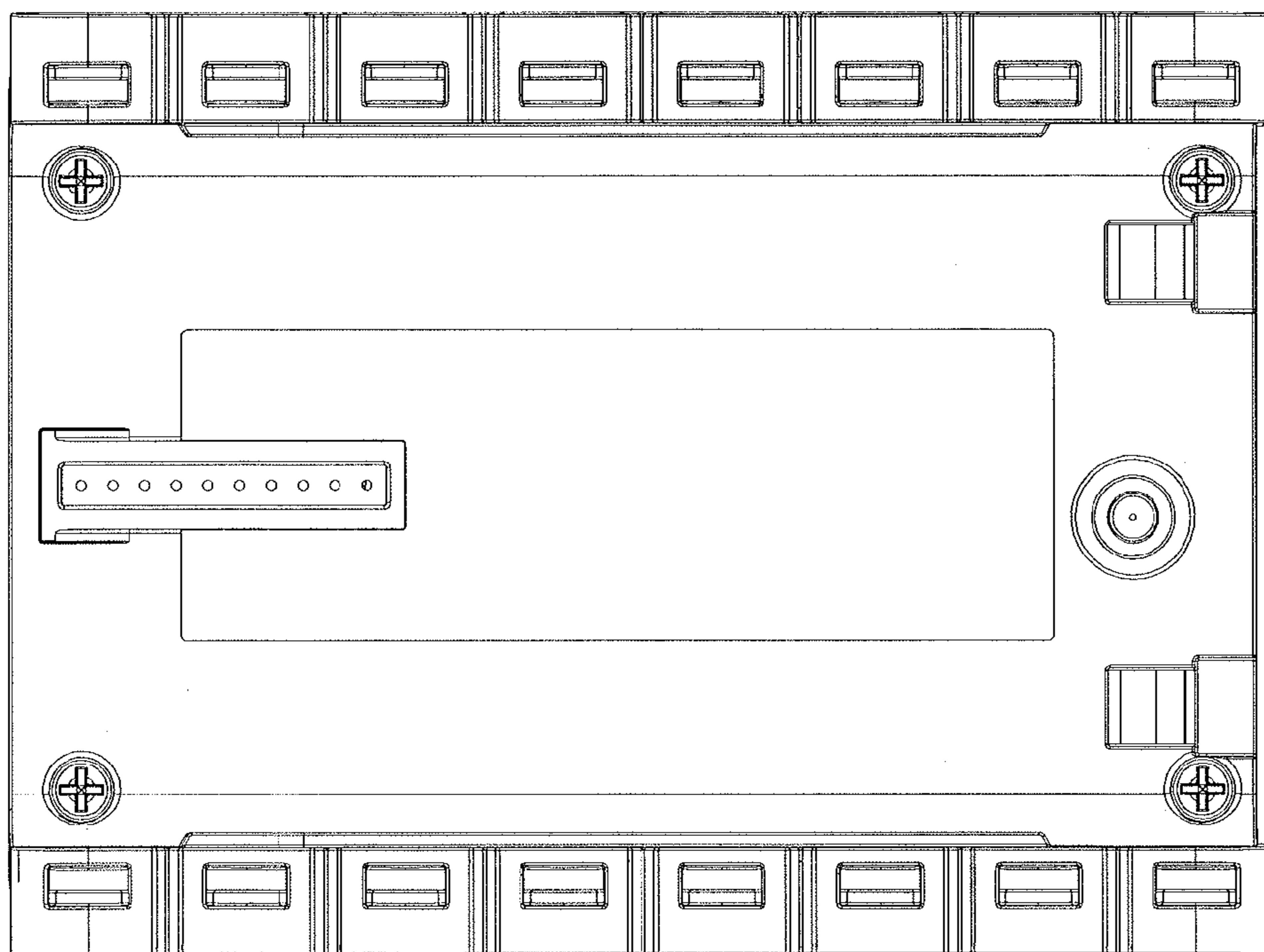


FIGURE 5

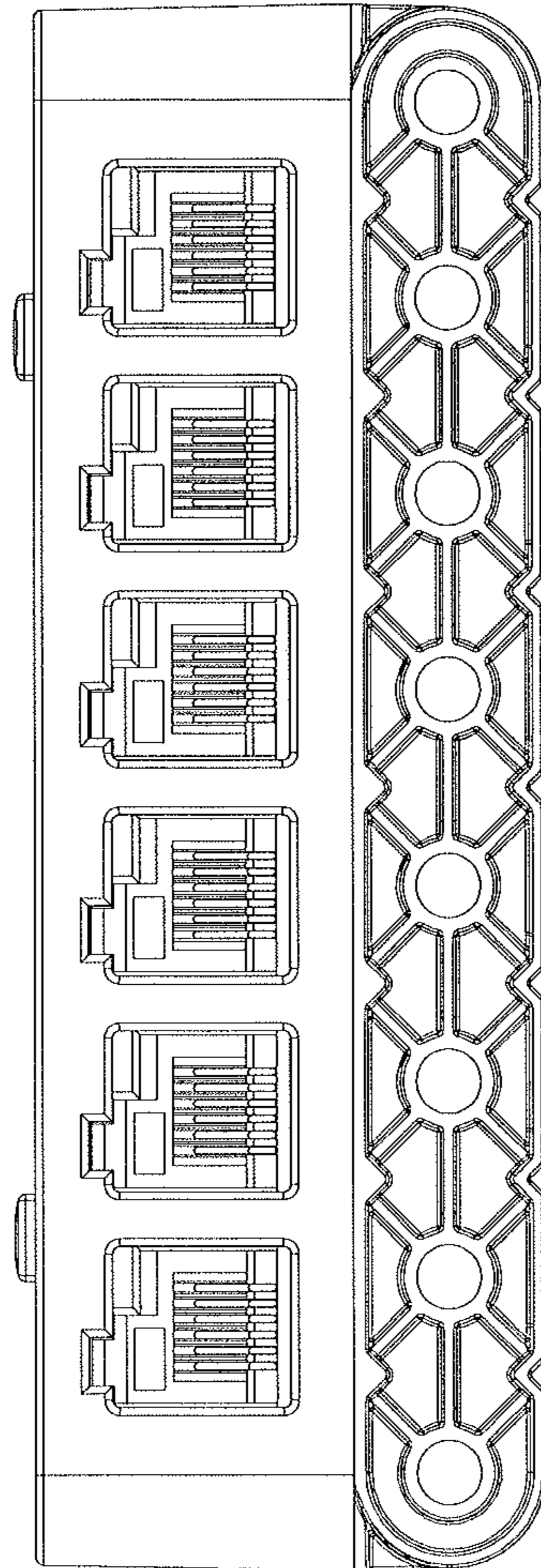


FIGURE 6

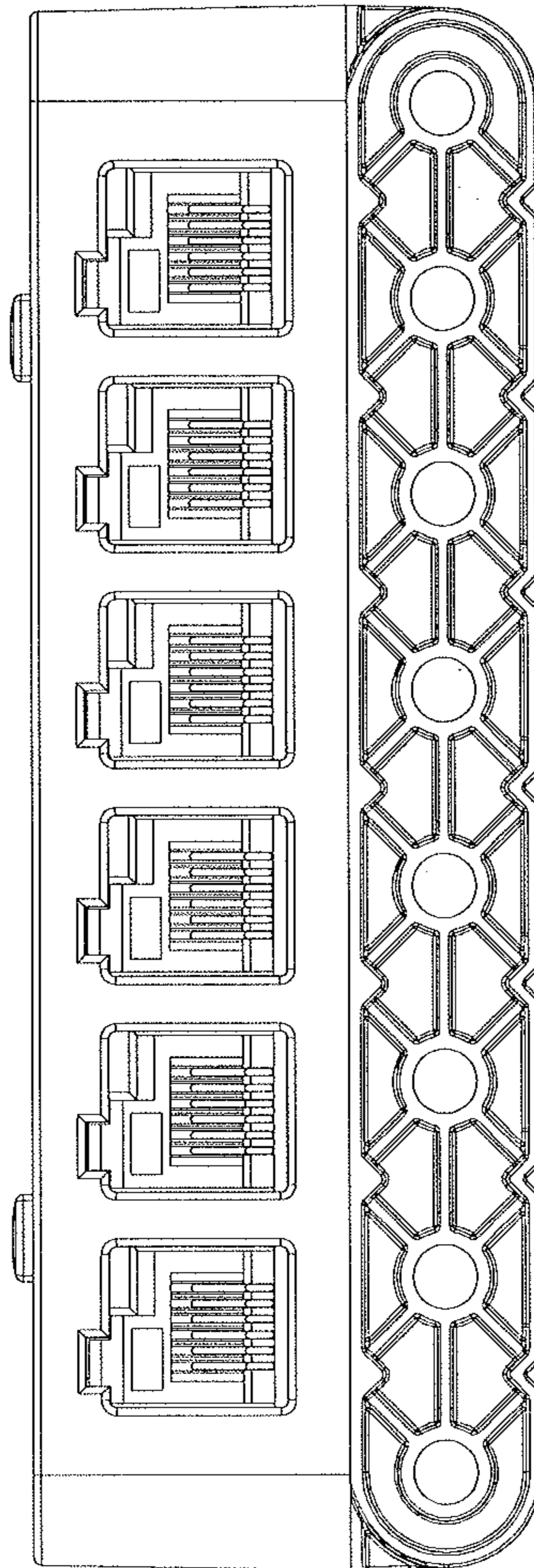


FIGURE 7

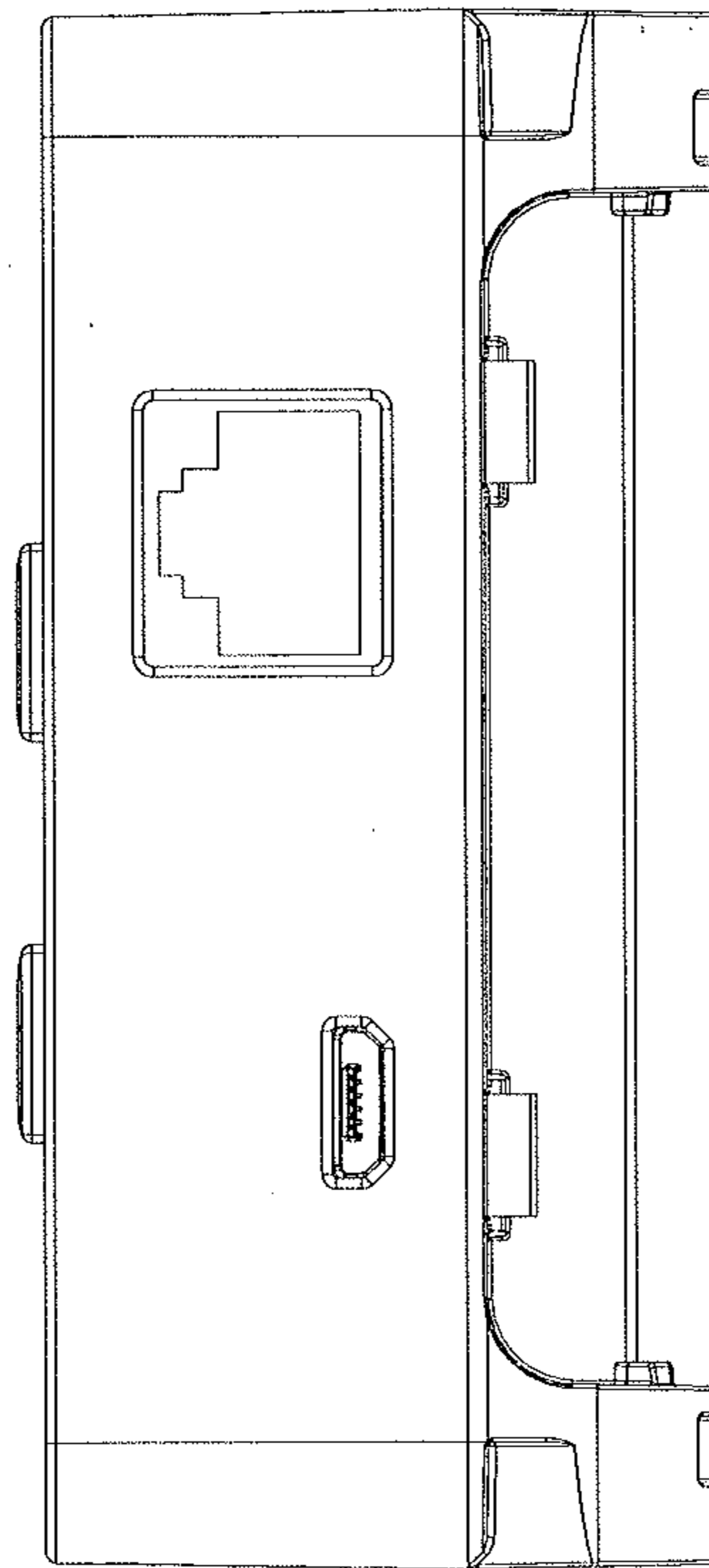


FIGURE 8

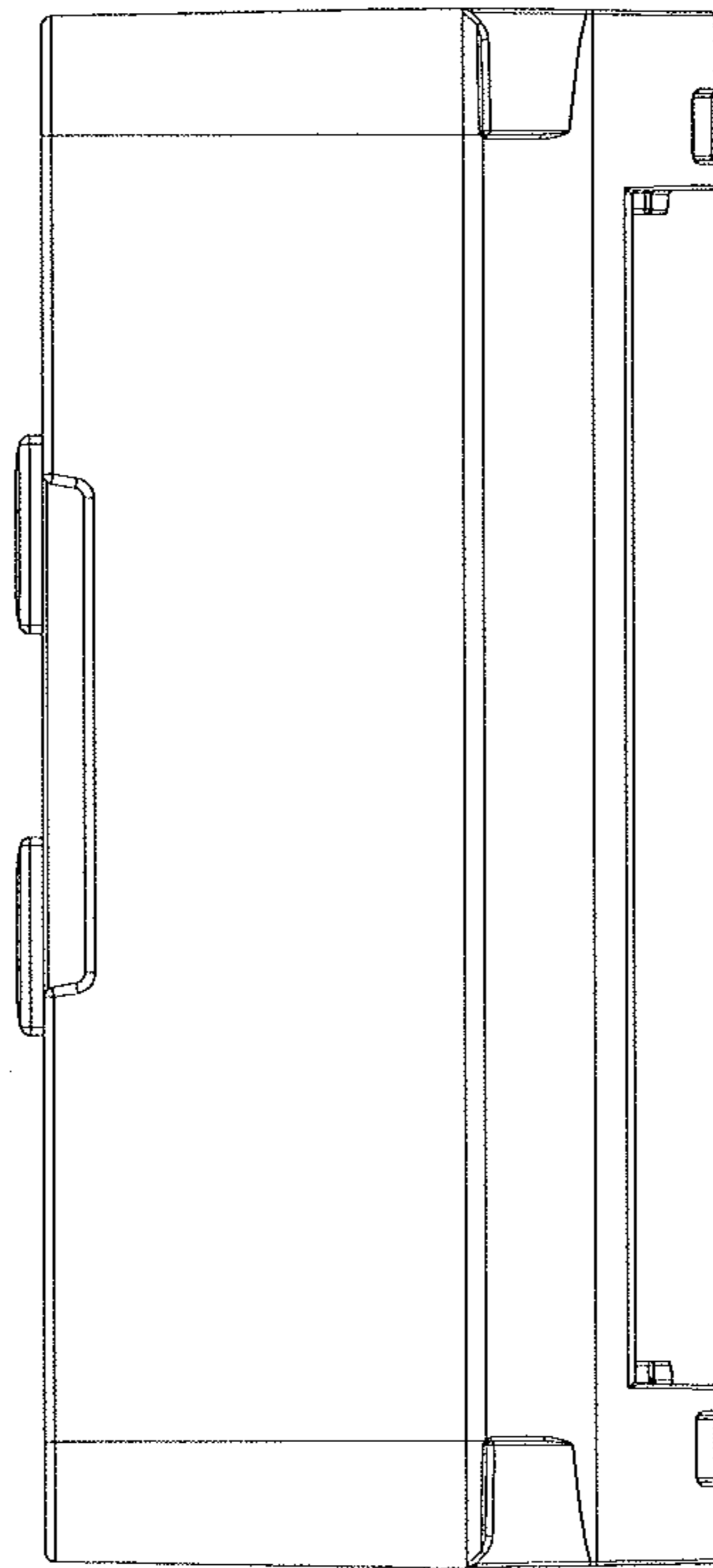


FIGURE 9