



US00D707269S

(12) **United States Design Patent**
Meier

(10) **Patent No.:** **US D707,269 S**
(45) **Date of Patent:** **** Jun. 17, 2014**

(54) **CHISEL AND TOOL HOLDER**

(71) Applicant: **Hamm AG**, Tirschenreuth (DE)

(72) Inventor: **Matthias Meier**, Tirschenreuth (DE)

(73) Assignee: **Hamm AG**, Tirschenreuth (DE)

(**) Term: **14 Years**

(21) Appl. No.: **29/452,852**

(22) Filed: **Apr. 22, 2013**

(30) **Foreign Application Priority Data**

Nov. 23, 2012 (EM) 001352389-0010

(51) **LOC (10) Cl.** **15-09**

(52) **U.S. Cl.**
USPC **D15/123**

(58) **Field of Classification Search**
USPC D8/14, 16, 105; D15/20, 28, 29, 123,
D15/124, 126, 131, 138, 199; 100/902;
241/73, 74, 189.1, 193-197, 294, 300;
404/133.05, 133.1, 133.2; 405/129,
405/131, 271

See application file for complete search history.

(56) **References Cited**

U.S. PATENT DOCUMENTS

3,099,191	A	7/1963	Averette	
4,919,566	A *	4/1990	Caron et al.	404/121
6,682,262	B2	1/2004	Caron et al.	
D692,038	S *	10/2013	Buhr et al.	D15/140
D692,039	S *	10/2013	Buhr et al.	D15/140
D693,385	S *	11/2013	Meier	D15/123
D693,386	S *	11/2013	Meier	D15/123

D693,387	S *	11/2013	Meier	D15/123
2003/0015907	A1 *	1/2003	Sollami	299/104
2006/0033379	A1 *	2/2006	Frear	299/107
2007/0040442	A1 *	2/2007	Weaver	299/106
2008/0111418	A1 *	5/2008	Helsel et al.	299/106
2008/0211290	A1 *	9/2008	Hall et al.	299/105
2011/0233987	A1 *	9/2011	Maushart	299/110
2011/0266860	A1 *	11/2011	Charlton	299/107
2011/0291461	A1 *	12/2011	Hall et al.	299/110
2012/0001475	A1 *	1/2012	Dubay et al.	299/108
2012/0023833	A1 *	2/2012	Hall et al.	51/309
2013/0052481	A1 *	2/2013	Konyashin et al.	428/679
2013/0307319	A1 *	11/2013	Heiderich et al.	299/105

FOREIGN PATENT DOCUMENTS

DE 1297042 6/1969

* cited by examiner

Primary Examiner — Patricia Palasik

(74) *Attorney, Agent, or Firm* — Michael J. Brown

(57) **CLAIM**

The ornamental design for a chisel and tool holder, as shown and described.

DESCRIPTION

FIG. 1 is a front upper perspective view of the new ornamental chisel and tool holder of the present invention.

FIG. 2 is a bottom perspective view thereof.

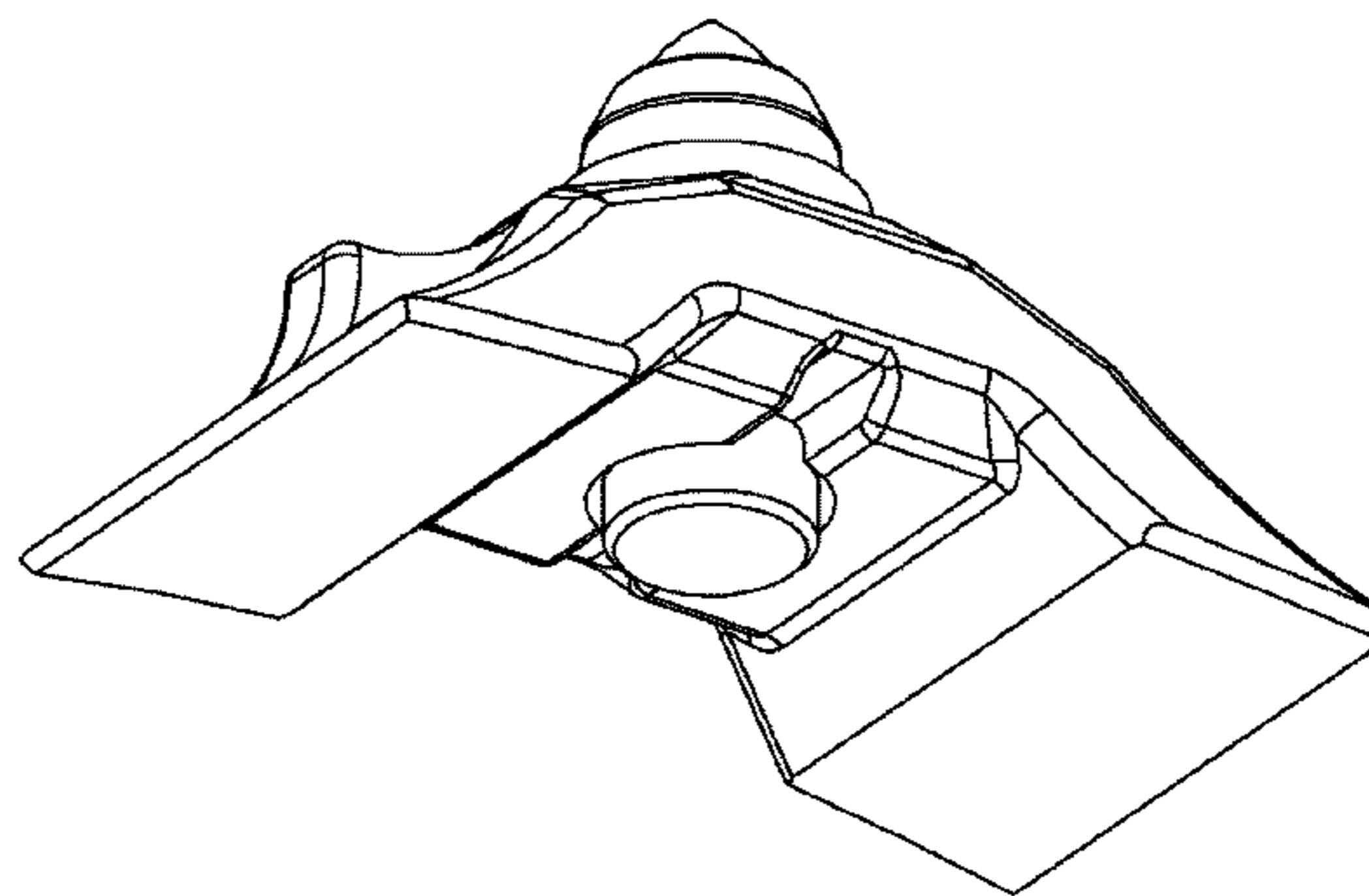
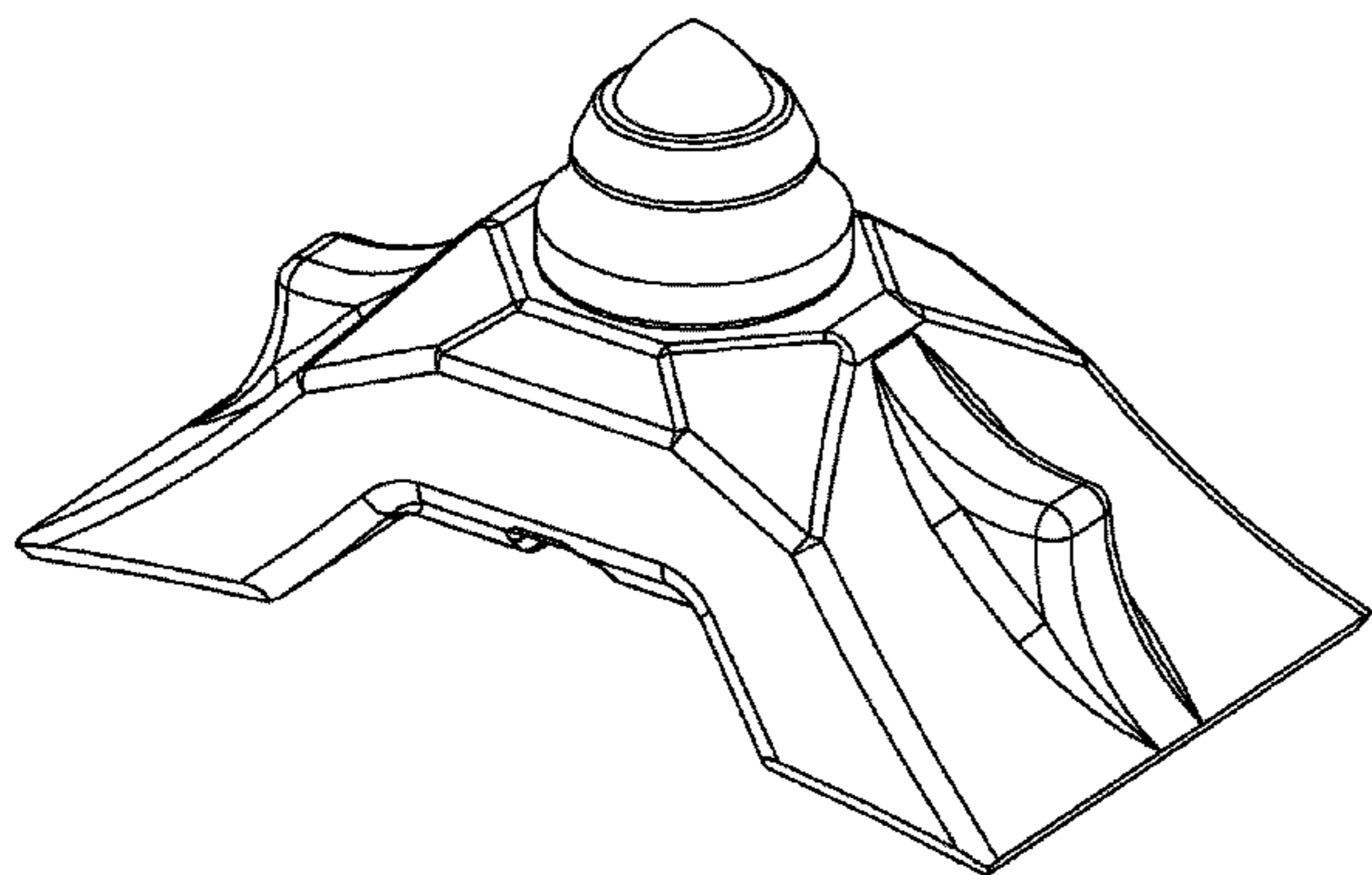
FIG. 3 is a right side view thereof, the left side view being a mirror image of the right side view.

FIG. 4 is a front view thereof, the rear view being a mirror image of the front view.

FIG. 5 is a top view thereof; and,

FIG. 6 is a bottom view thereof.

1 Claim, 4 Drawing Sheets



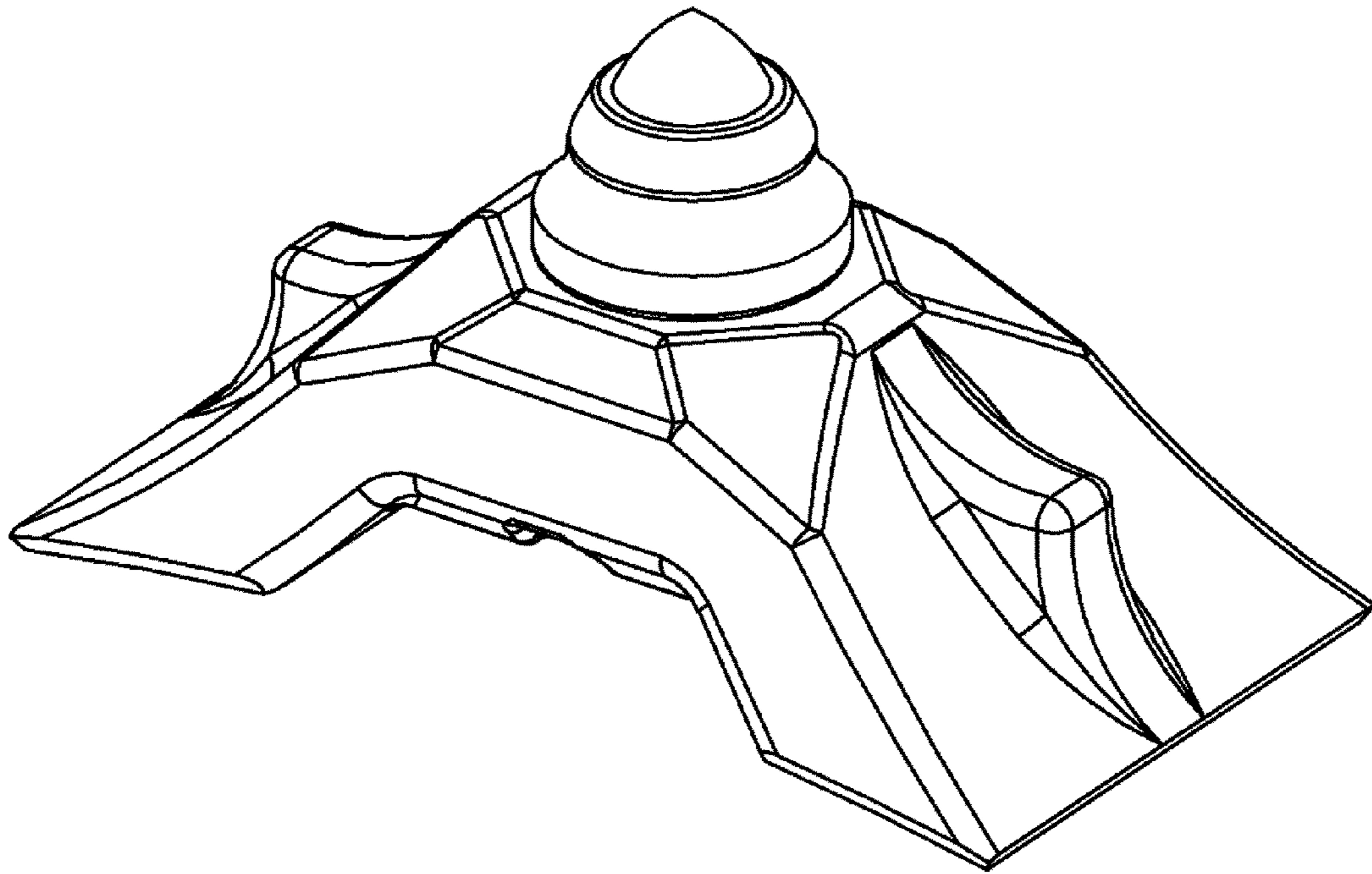


Fig. 1

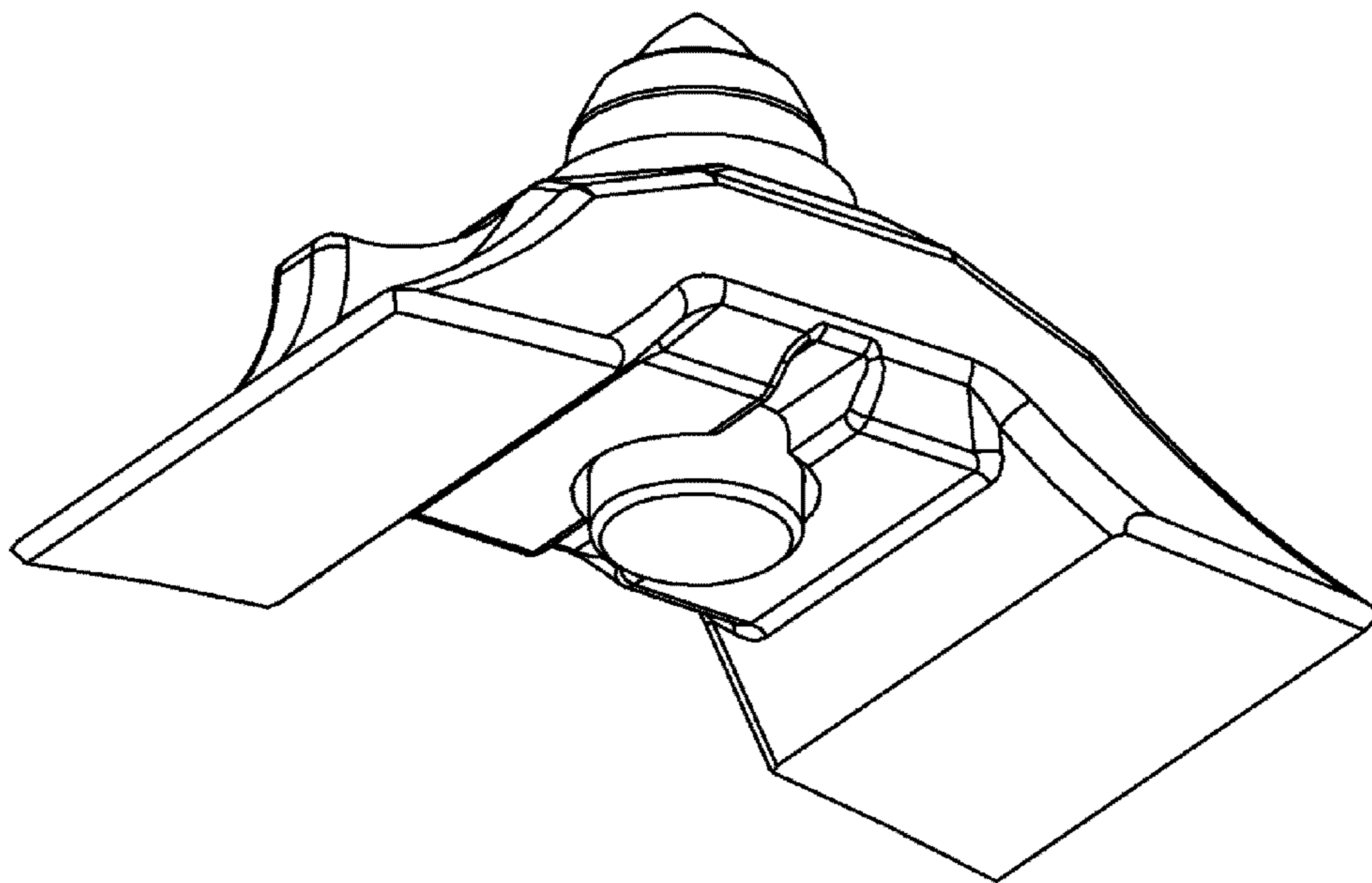


Fig. 2

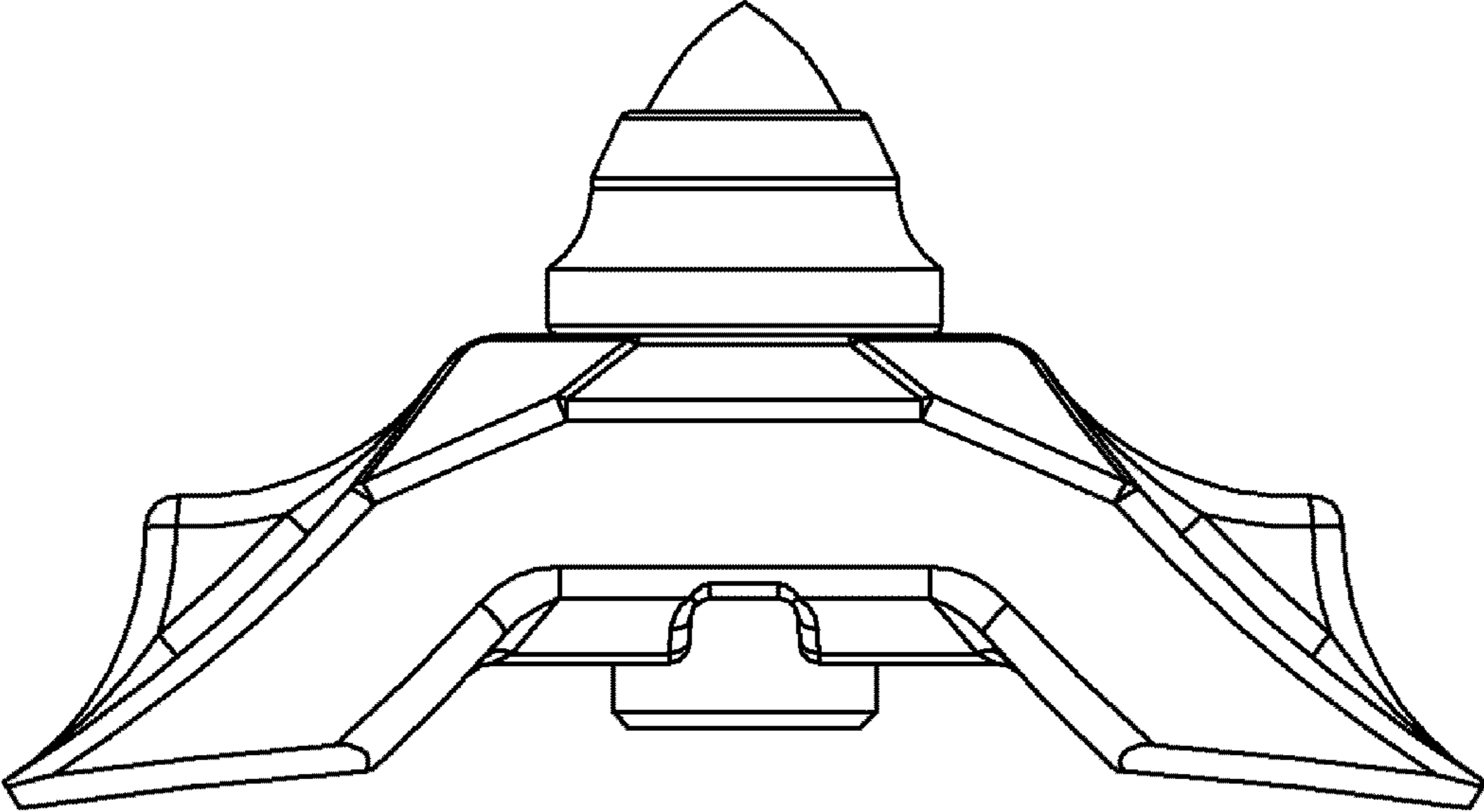


Fig. 3

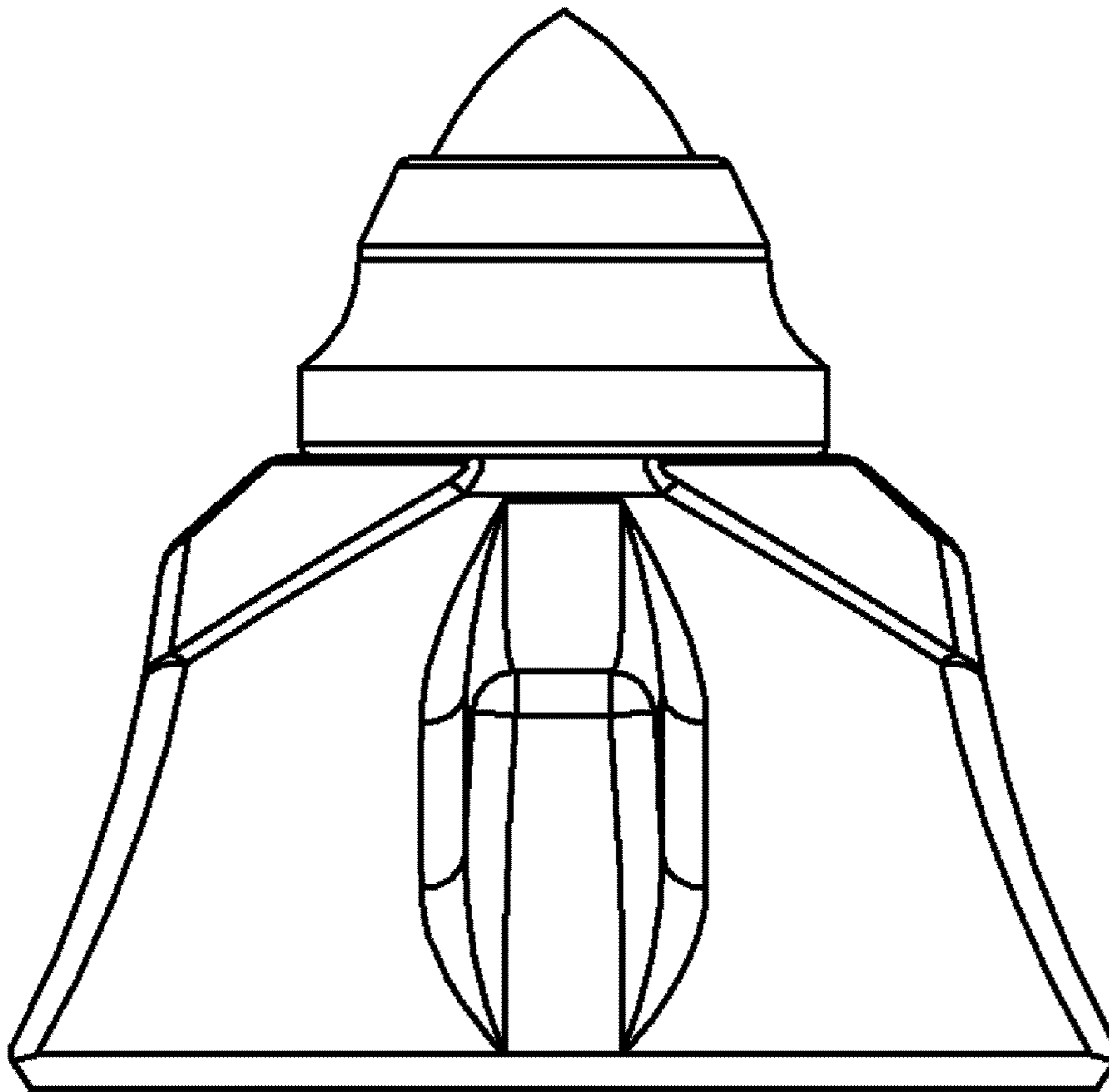


Fig. 4

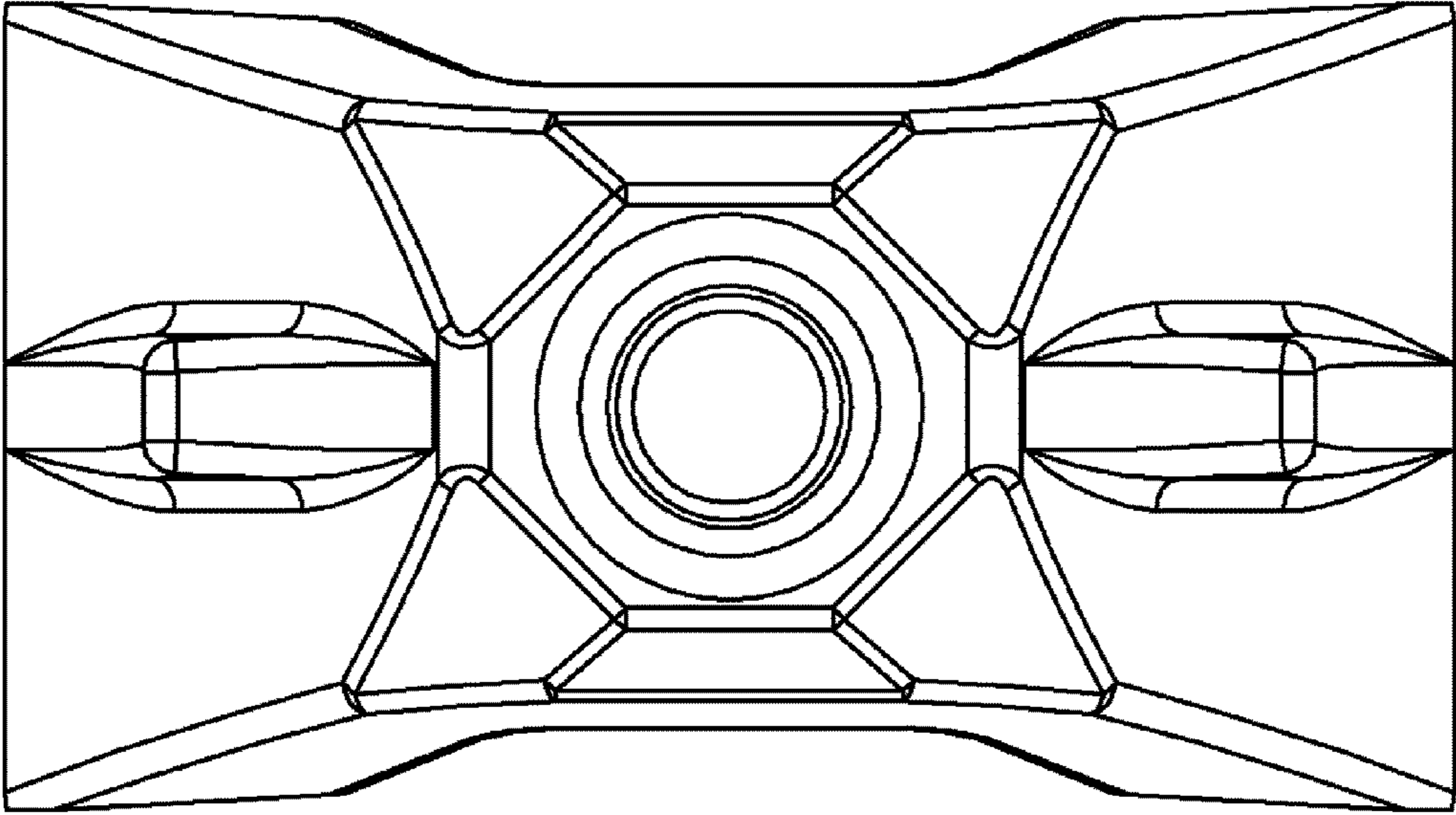


Fig. 5

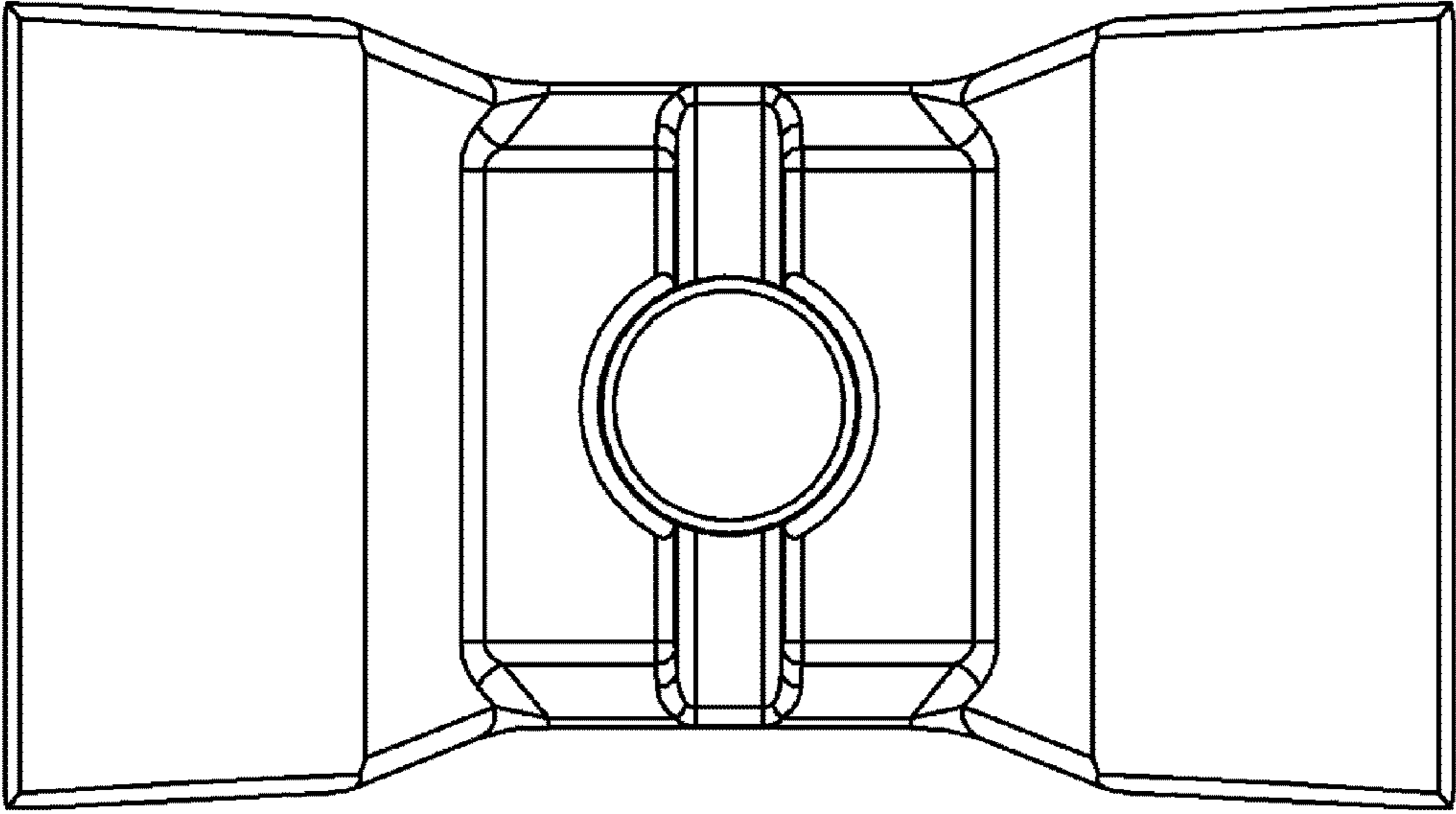


Fig. 6