



US00D707267S

(12) **United States Design Patent**
Choi et al.

(10) **Patent No.:** **US D707,267 S**
(45) **Date of Patent:** **** Jun. 17, 2014**

(54) **DRAWER FOR REFRIGERATOR**

(56)

References Cited

(71) Applicant: **Samsung Electronics Co., Ltd.**,
Suwon-Si (KR)

(72) Inventors: **EunHa Choi**, Yongin-si (KR);
Sanghoon Lee, Seoul (KR)

(73) Assignee: **Samsung Electronics Co., Ltd.**,
Gyeonggi-do (KR)

(**) Term: **14 Years**

(21) Appl. No.: **29/451,116**

(22) Filed: **Mar. 28, 2013**

(30) **Foreign Application Priority Data**

Dec. 7, 2012 (KR) 30-2012-0059152

(51) **LOC (10) Cl.** **15-07**

(52) **U.S. Cl.**
USPC **D15/89**

(58) **Field of Classification Search**
CPC F25D 11/00; F25D 23/00; F25D 23/08
USPC D15/79-89; 62/3.6, 125, 126, 187,
62/246-255, 441-45; 312/116, 138.1,
312/236, 321.5, 330.1, 401-408

See application file for complete search history.

U.S. PATENT DOCUMENTS

D155,355	S	*	9/1949	Norberg	D15/89
D204,475	S	*	4/1966	Mackay	D15/89
4,960,308	A	*	10/1990	Donaghy	D15/89
D358,403	S	*	5/1995	Edman et al.	D15/89
D484,150	S	*	12/2003	Becke	D15/89
D591,313	S	*	4/2009	Baacke et al.	D15/89
D591,314	S	*	4/2009	Baacke et al.	D15/89
D607,021	S	*	12/2009	Baacke et al.	D15/89
D694,289	S	*	11/2013	Hottmann et al.	D15/89

* cited by examiner

Primary Examiner — Mitchell Siegel

(74) *Attorney, Agent, or Firm* — Harness, Dickey & Pierce,
P.L.C.

(57) **CLAIM**

We claim the ornamental design for a drawer for refrigerator,
as shown.

DESCRIPTION

FIG. 1 is a front/right-side/top perspective view of a drawer for refrigerator showing our new design;
FIG. 2 is a front-side elevational view thereof;
FIG. 3 is a rear-side elevational view thereof;
FIG. 4 is a left-side elevational view thereof;
FIG. 5 is a right-side elevational view thereof;
FIG. 6 is a top-side elevational view thereof; and,
FIG. 7 is a bottom-side elevational view thereof.

1 Claim, 7 Drawing Sheets

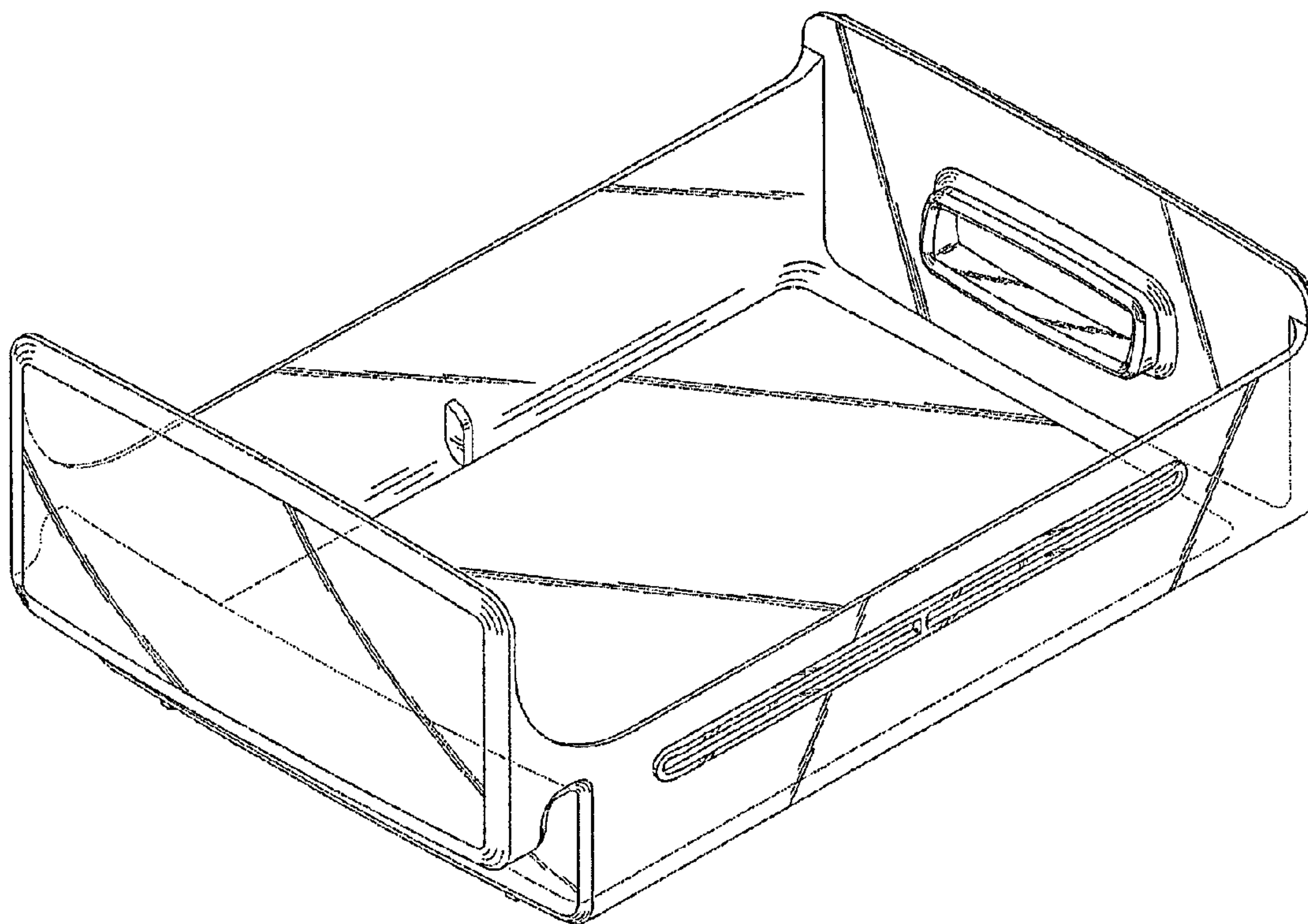


Fig. 1

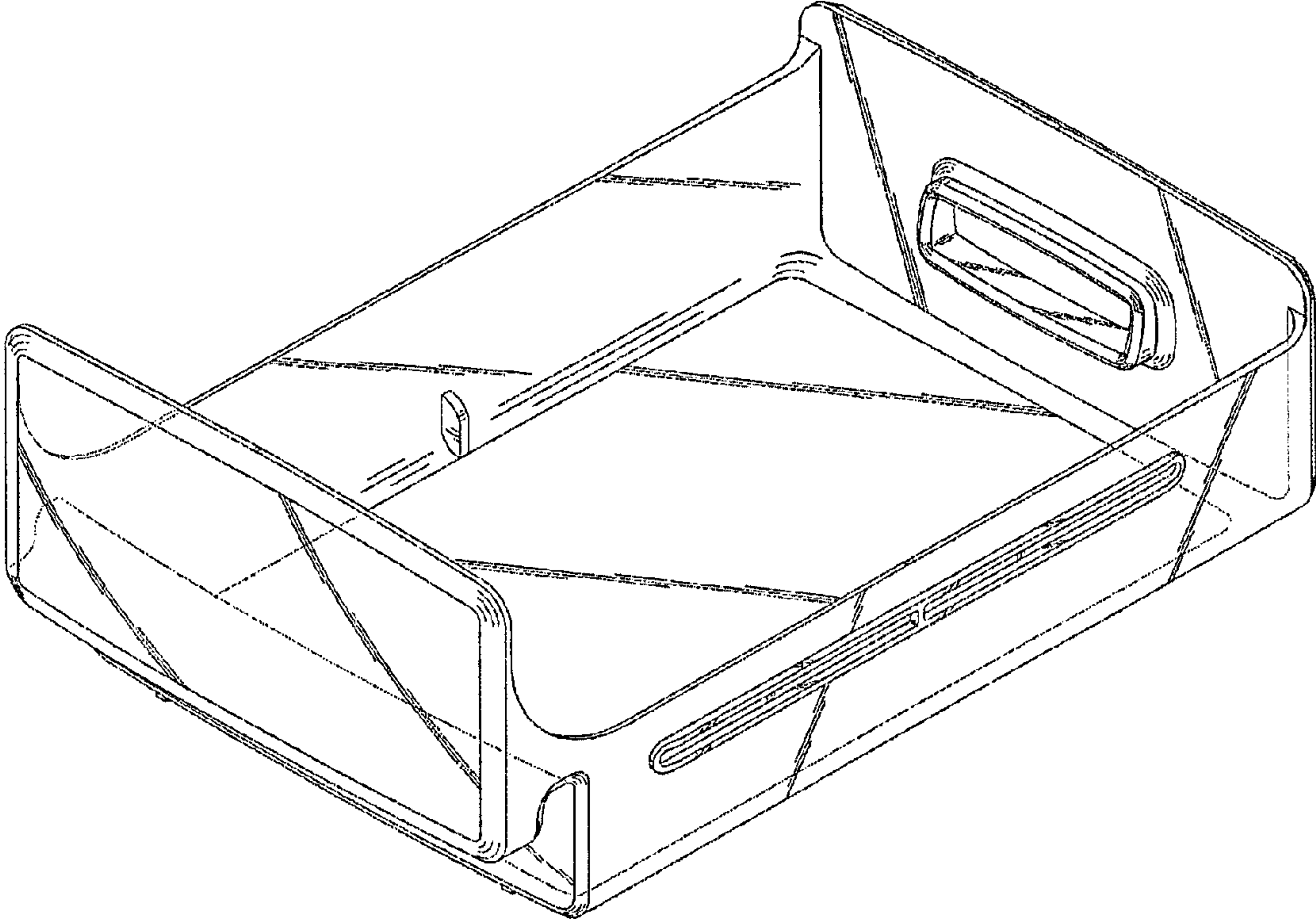


Fig. 2

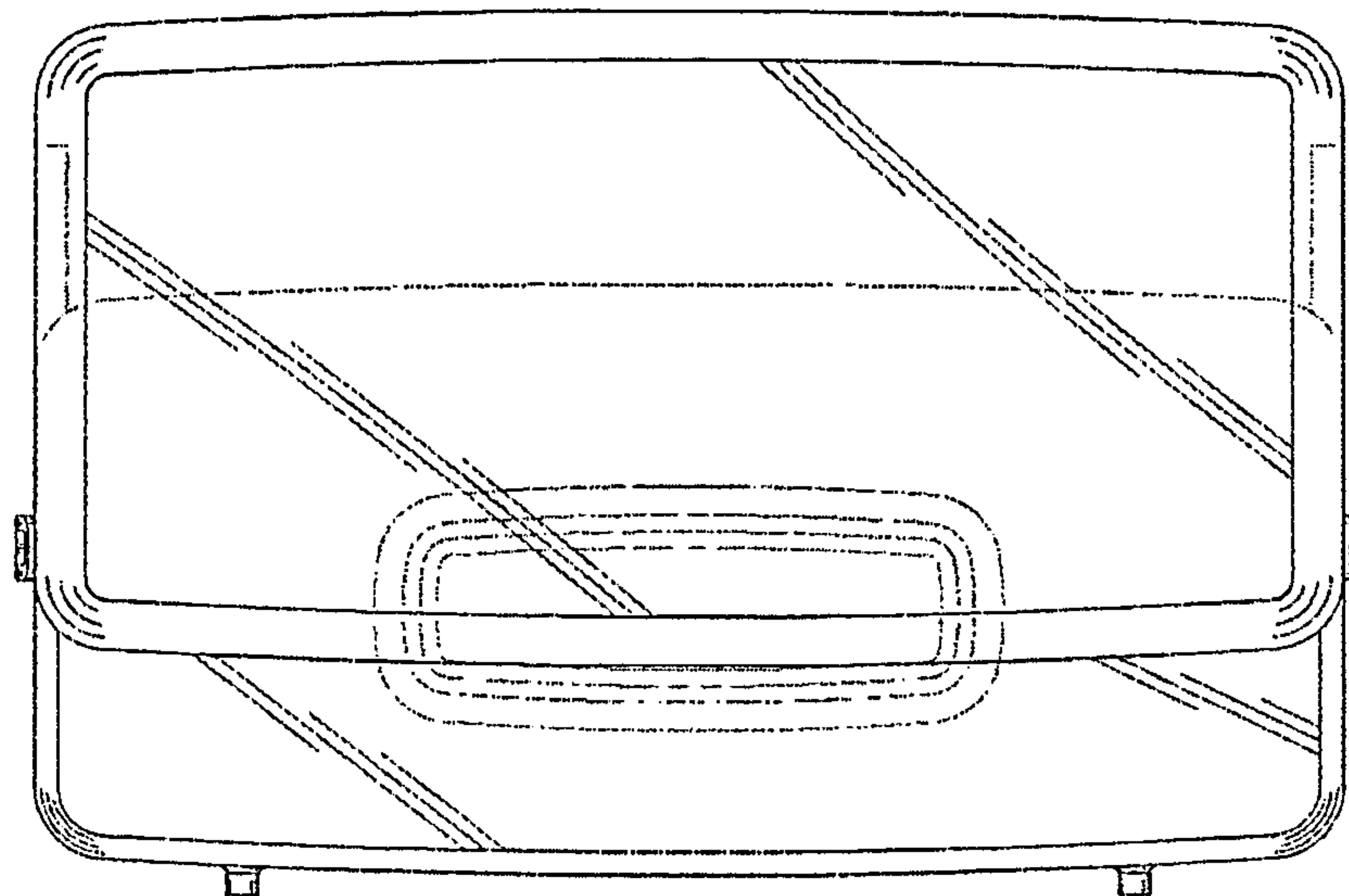


Fig. 3

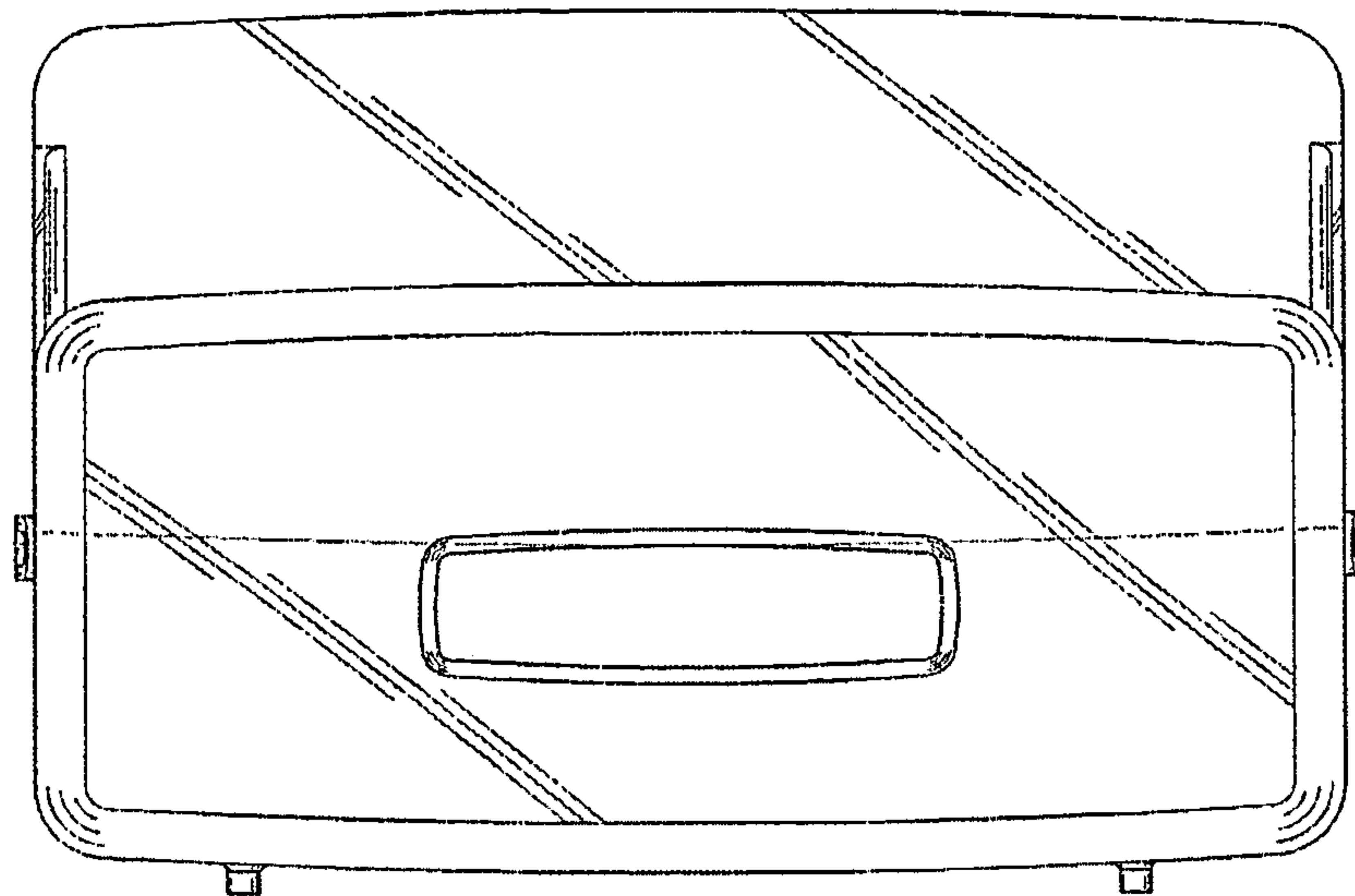


Fig. 4

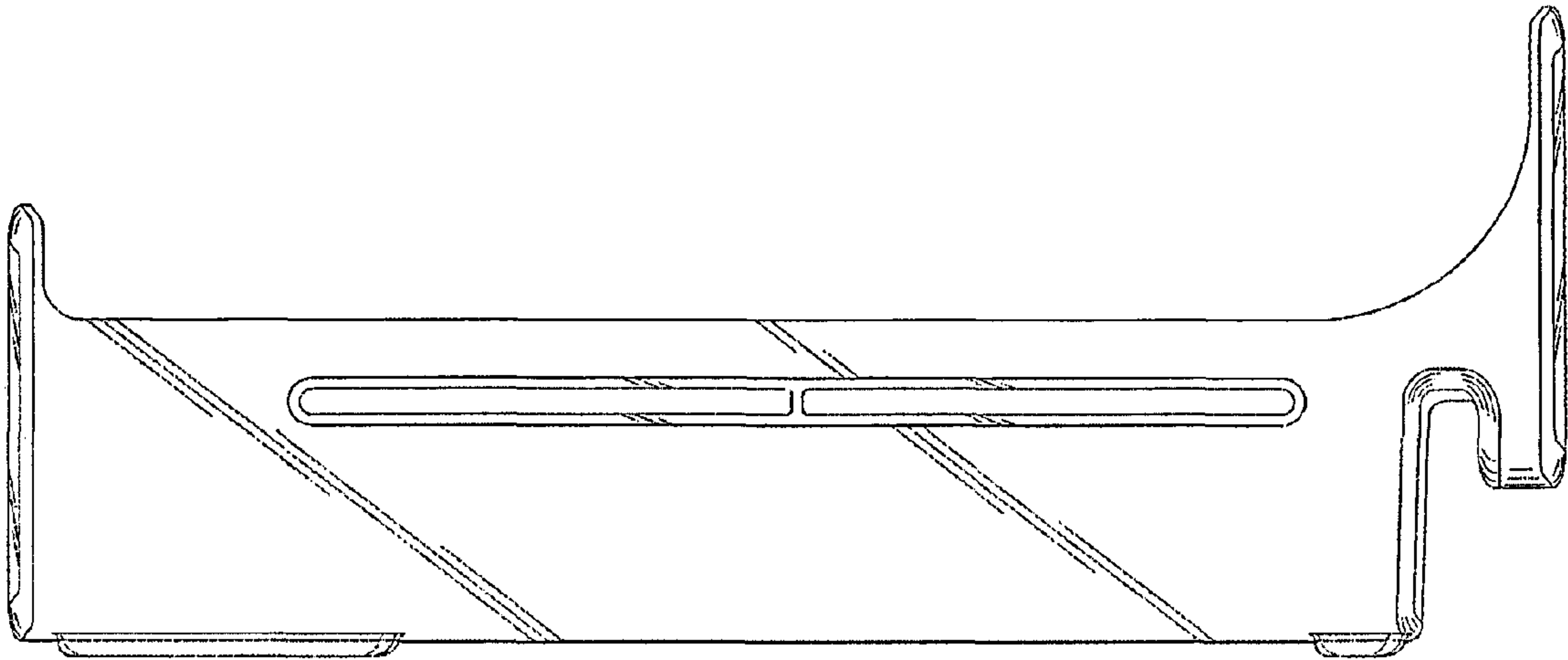


Fig. 5

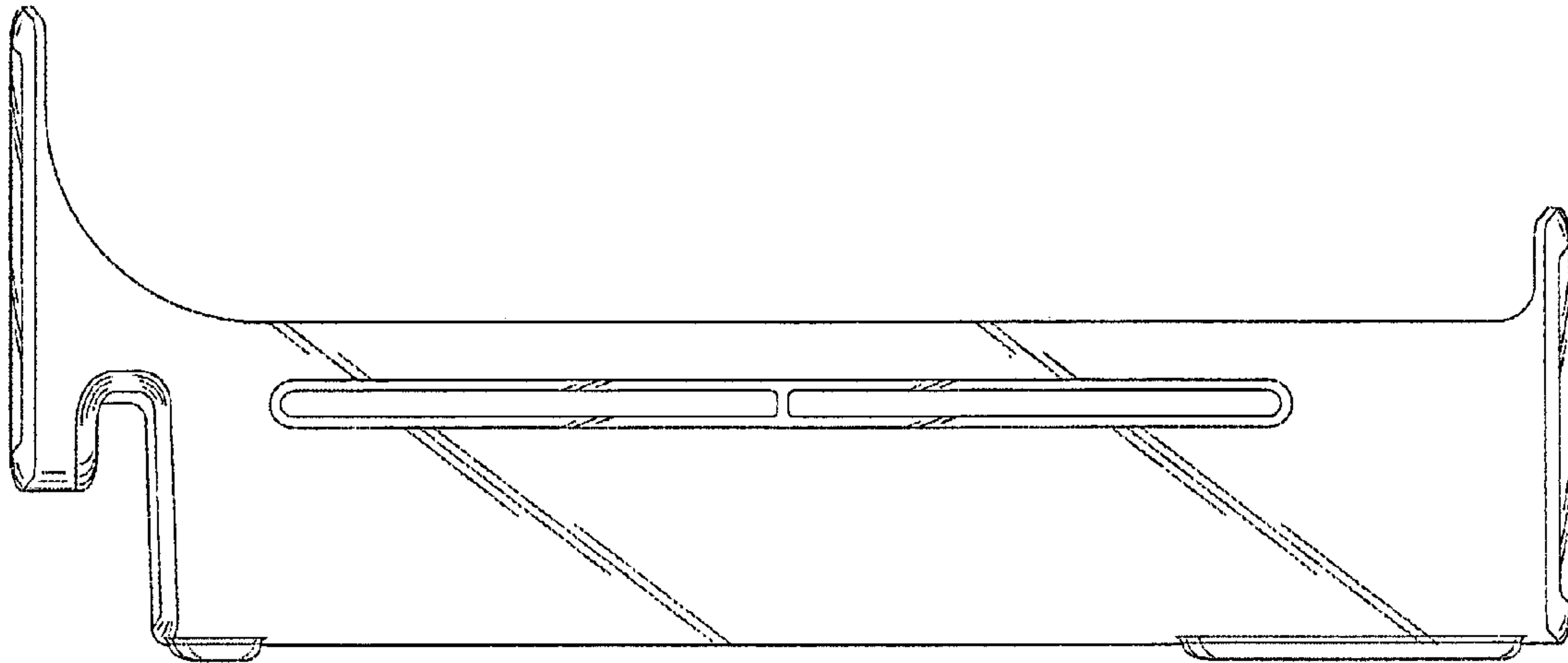


Fig. 6

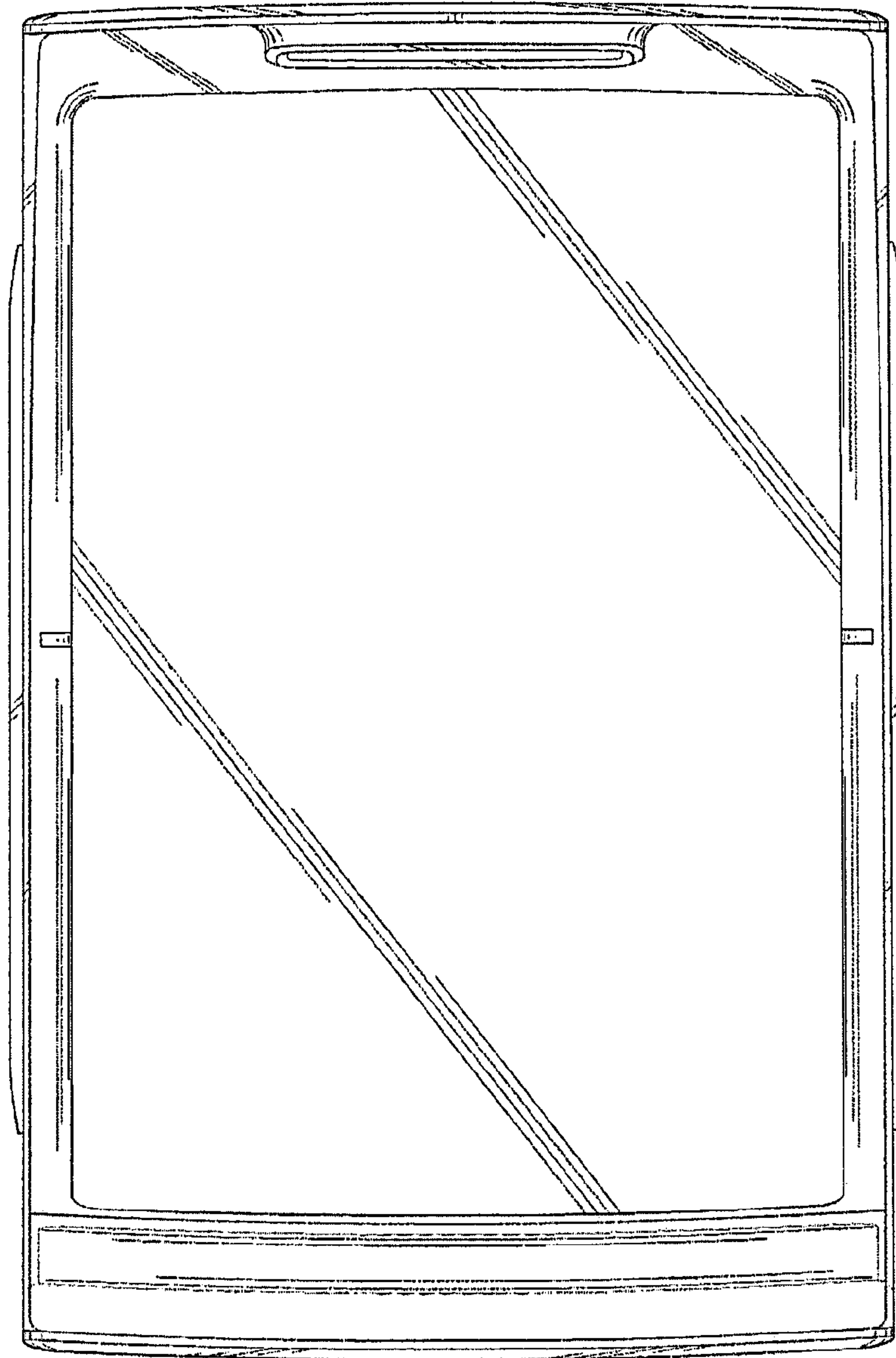


Fig. 7

