

US00D707266S

(12) **United States Design Patent**  
**Yunho**

(10) **Patent No.:** **US D707,266 S**  
(45) **Date of Patent:** **\*\* Jun. 17, 2014**

(54) **REFRIGERATOR**

(71) Applicant: **Samsung Electronics Co., Ltd.**,  
Suwon-si (KR)

(72) Inventor: **Yang Yunho**, Yongin-si (KR)

(73) Assignee: **Samsung Electronics Co., Ltd.**,  
Suwon-si (KR)

(\*\*) Term: **14 Years**

(21) Appl. No.: **29/445,358**

(22) Filed: **Feb. 11, 2013**

(30) **Foreign Application Priority Data**

Sep. 18, 2012 (KR) ..... 30-2012-0045071

(51) **LOC (10) Cl.** ..... **15-07**

(52) **U.S. Cl.**  
USPC ..... **D15/86**

(58) **Field of Classification Search**

USPC ..... D15/79-91; 62/3.6, 3.63, 3.64, 293,  
62/331, 371, 440-445, 467, 377;  
312/112-117, 236, 400-408, 138.1,  
312/139.1, 329

See application file for complete search history.

(56) **References Cited**

**U.S. PATENT DOCUMENTS**

3,070,852 A \* 1/1963 Hilliker ..... 49/366  
D210,560 S \* 3/1968 Kennedy et al. .... D15/86  
D452,255 S \* 12/2001 Chai et al. .... D15/85  
D495,719 S \* 9/2004 Kirchner et al. .... D15/86  
D508,059 S \* 8/2005 Seok et al. .... D15/86  
D508,249 S \* 8/2005 Seok et al. .... D15/86  
D508,925 S \* 8/2005 Seok et al. .... D15/86

D508,926 S \* 8/2005 Seok et al. .... D15/86  
D522,540 S \* 6/2006 Cho et al. .... D15/86  
D540,833 S \* 4/2007 Wang et al. .... D15/86  
D543,560 S \* 5/2007 Seum et al. .... D15/86  
D556,223 S \* 11/2007 Wang et al. .... D15/86  
D557,292 S \* 12/2007 Lee et al. .... D15/86  
D614,208 S \* 4/2010 Seo et al. .... D15/86  
D630,232 S \* 1/2011 Seo et al. .... D15/85  
D639,316 S \* 6/2011 Roberson et al. .... D15/86  
D639,317 S \* 6/2011 Yang et al. .... D15/86  
D639,828 S \* 6/2011 Yang et al. .... D15/86  
D656,968 S \* 4/2012 Hwang et al. .... D15/86  
D657,402 S \* 4/2012 Hwang et al. .... D15/86  
D657,403 S \* 4/2012 Hwang et al. .... D15/86  
D674,416 S \* 1/2013 Seo et al. .... D15/86  
D684,610 S \* 6/2013 Seo et al. .... D15/86

\* cited by examiner

*Primary Examiner* — Mitchell Siegel

(74) *Attorney, Agent, or Firm* — Ladas & Parry LLP

(57) **CLAIM**

I claim the ornamental design for a refrigerator, as shown.

**DESCRIPTION**

FIG. 1 is a front/right-side/top perspective view of a refrigerator showing our new design;

FIG. 2 is a front-side elevational view thereof;

FIG. 3 is a rear-side elevational view thereof;

FIG. 4 is a left-side elevational view thereof;

FIG. 5 is a right-side elevational view thereof;

FIG. 6 is a top-side elevational view thereof;

FIG. 7 is a bottom-side elevational view thereof; and,

FIG. 8 is a front/right-side/top perspective view thereof, with the doors being shown in an open position.

Features shown in broken lines are disclaimed and form no part of the claimed design.

**1 Claim, 8 Drawing Sheets**

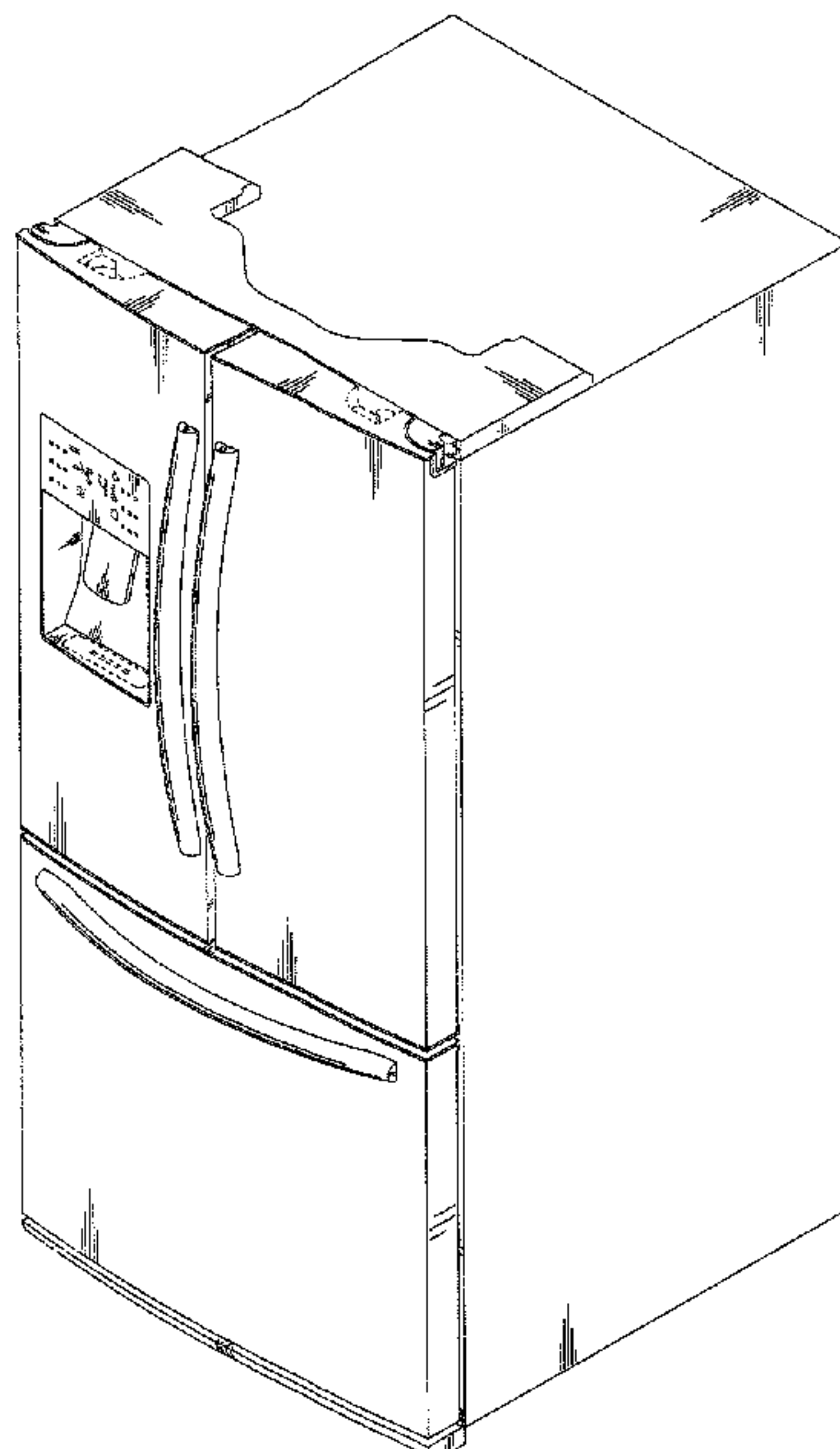


Fig. 1

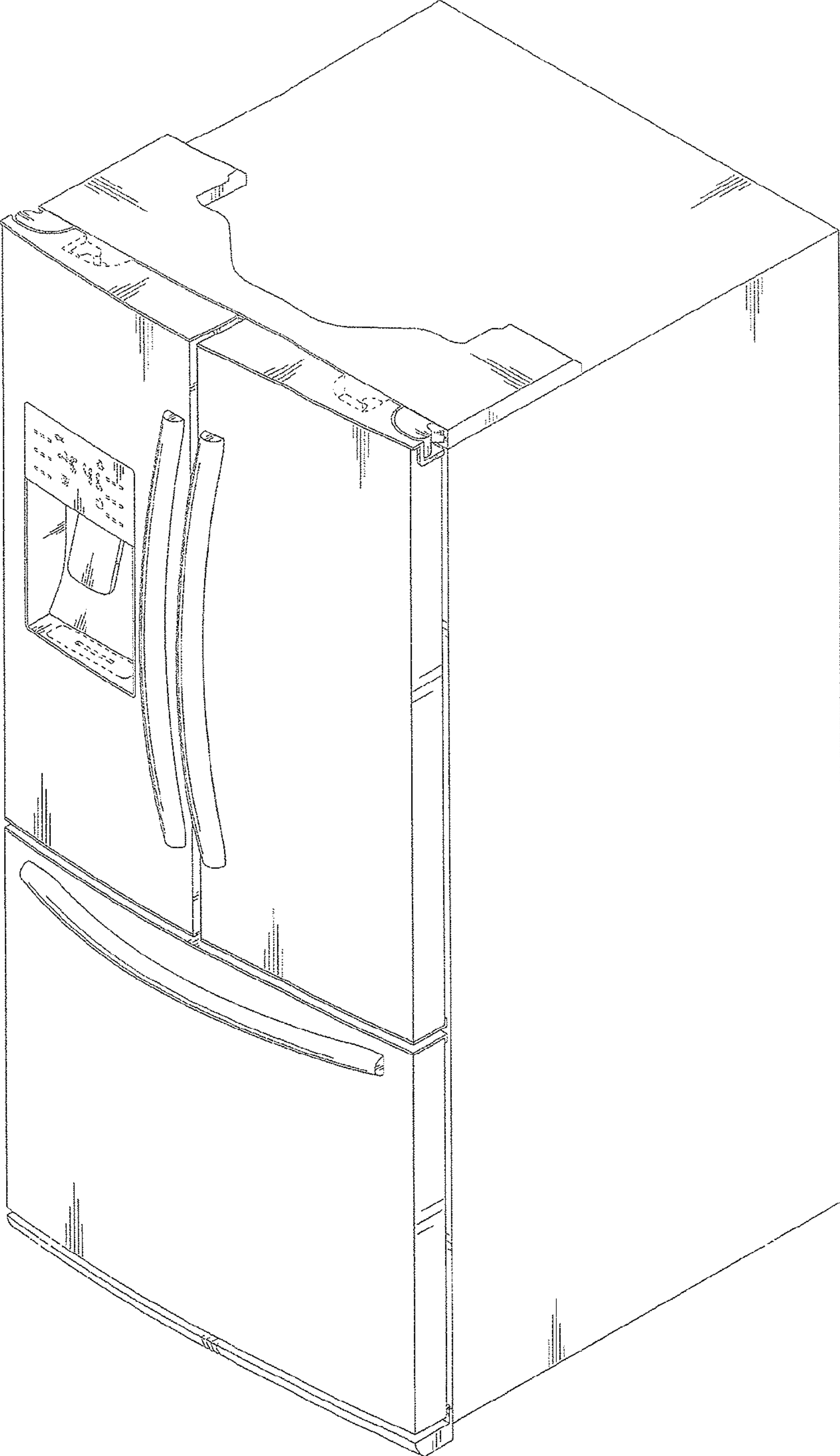


Fig. 2

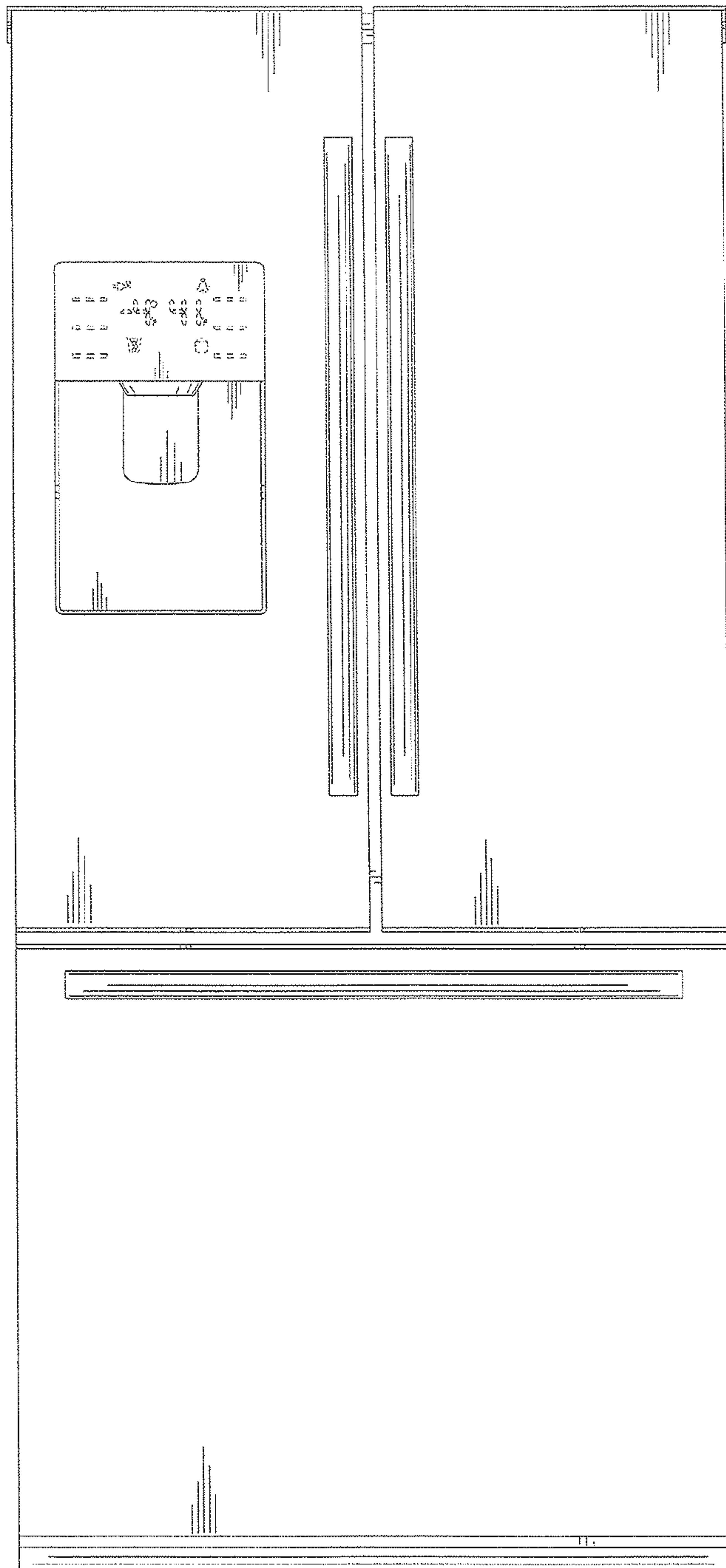


Fig. 3

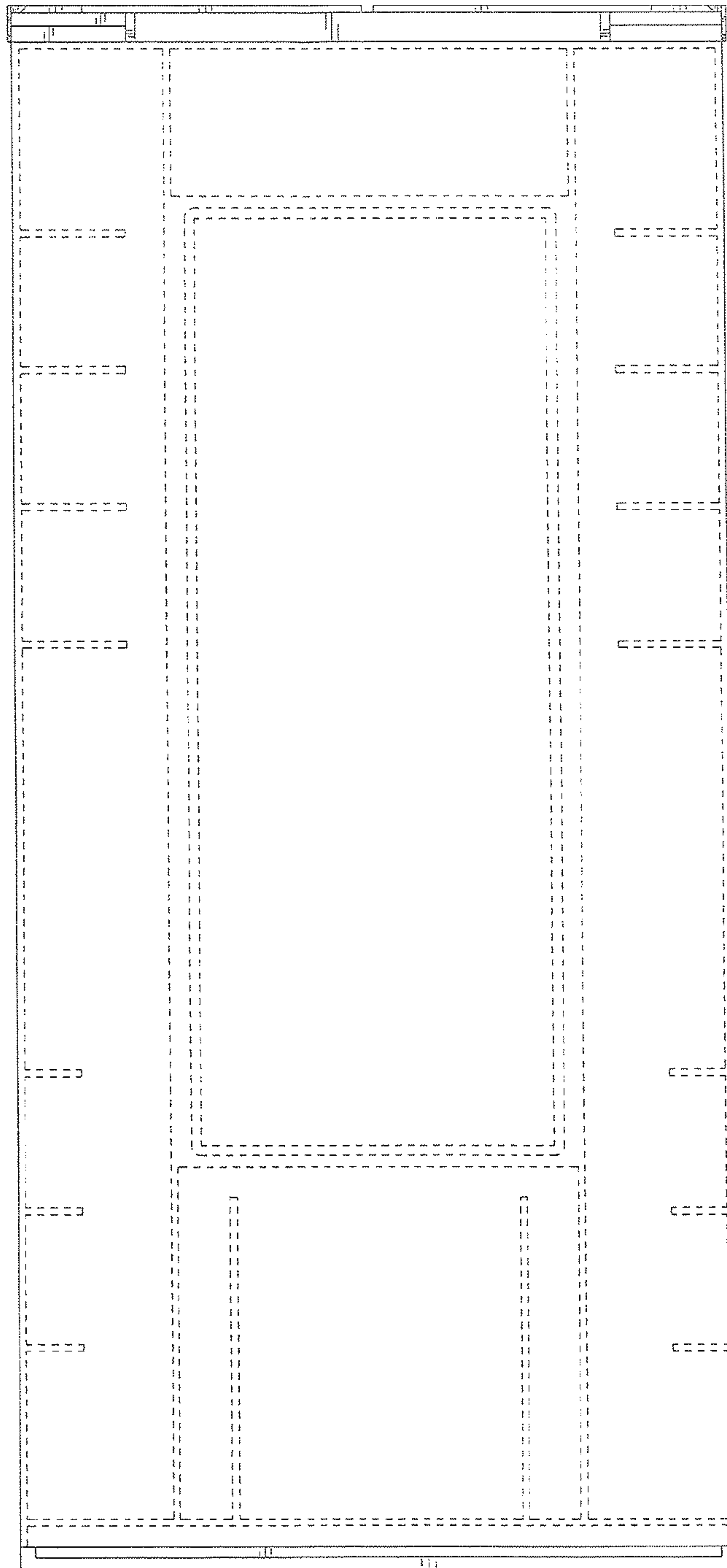


Fig. 4

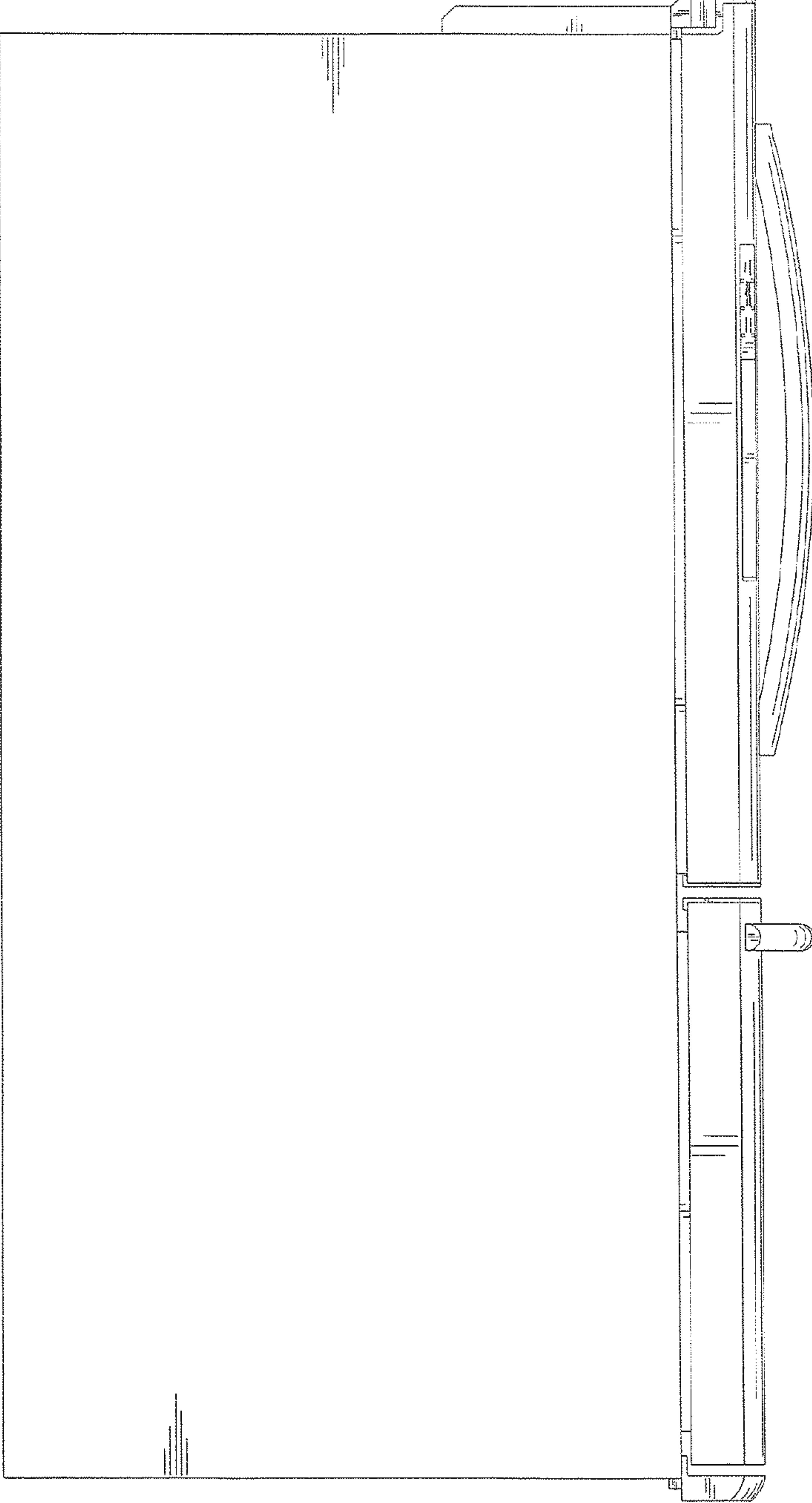




Fig. 5

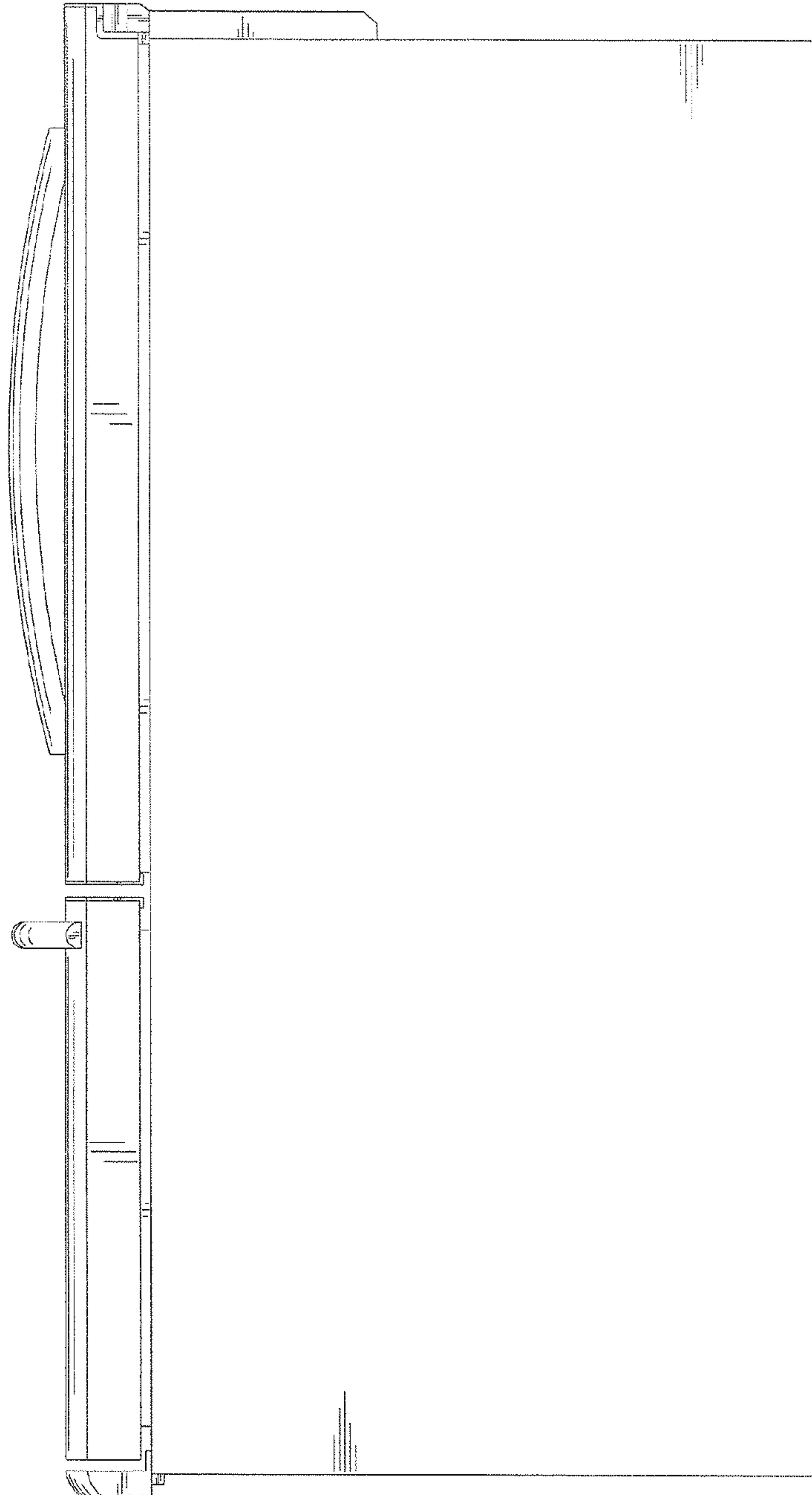


Fig. 6

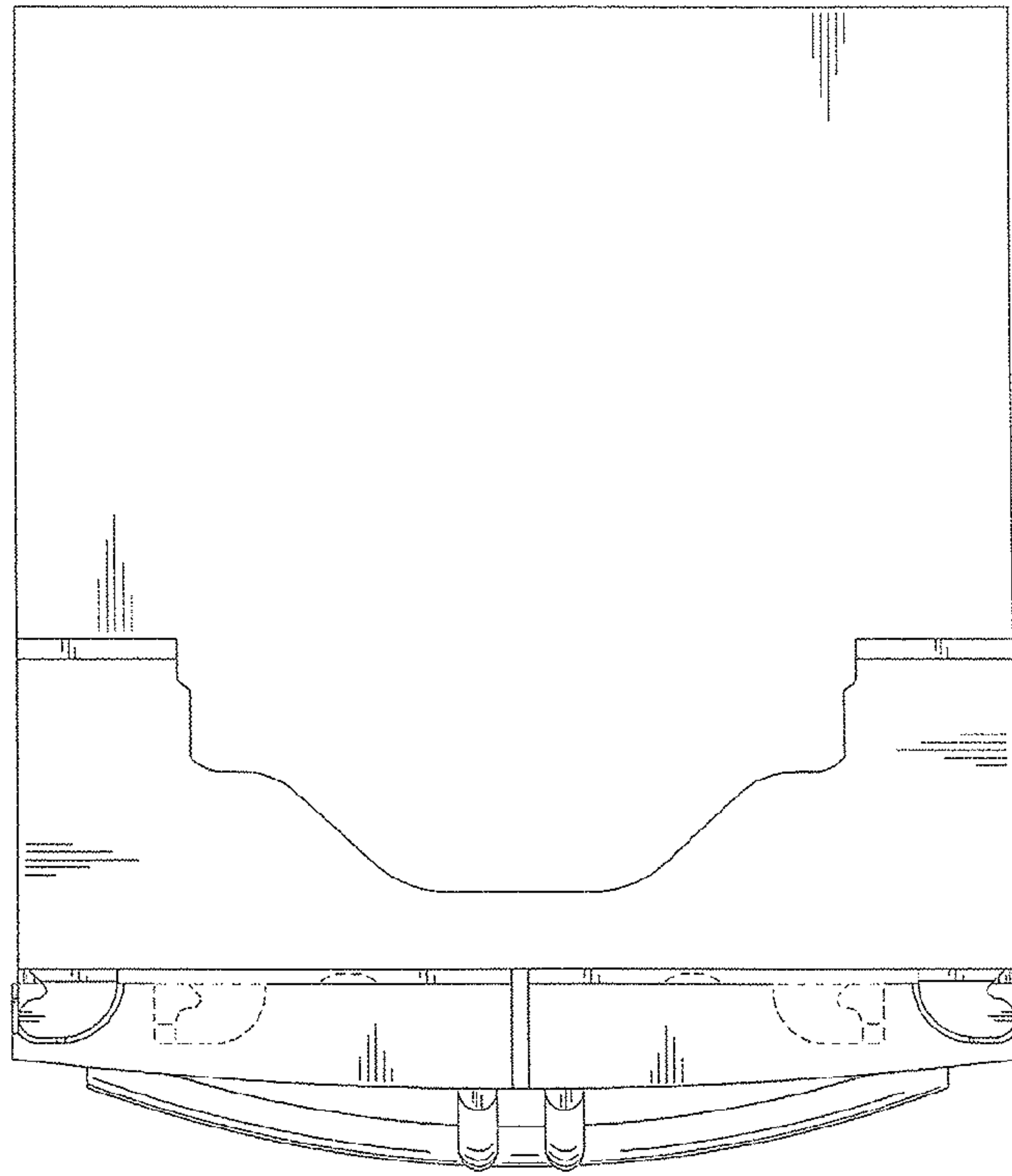


Fig. 7

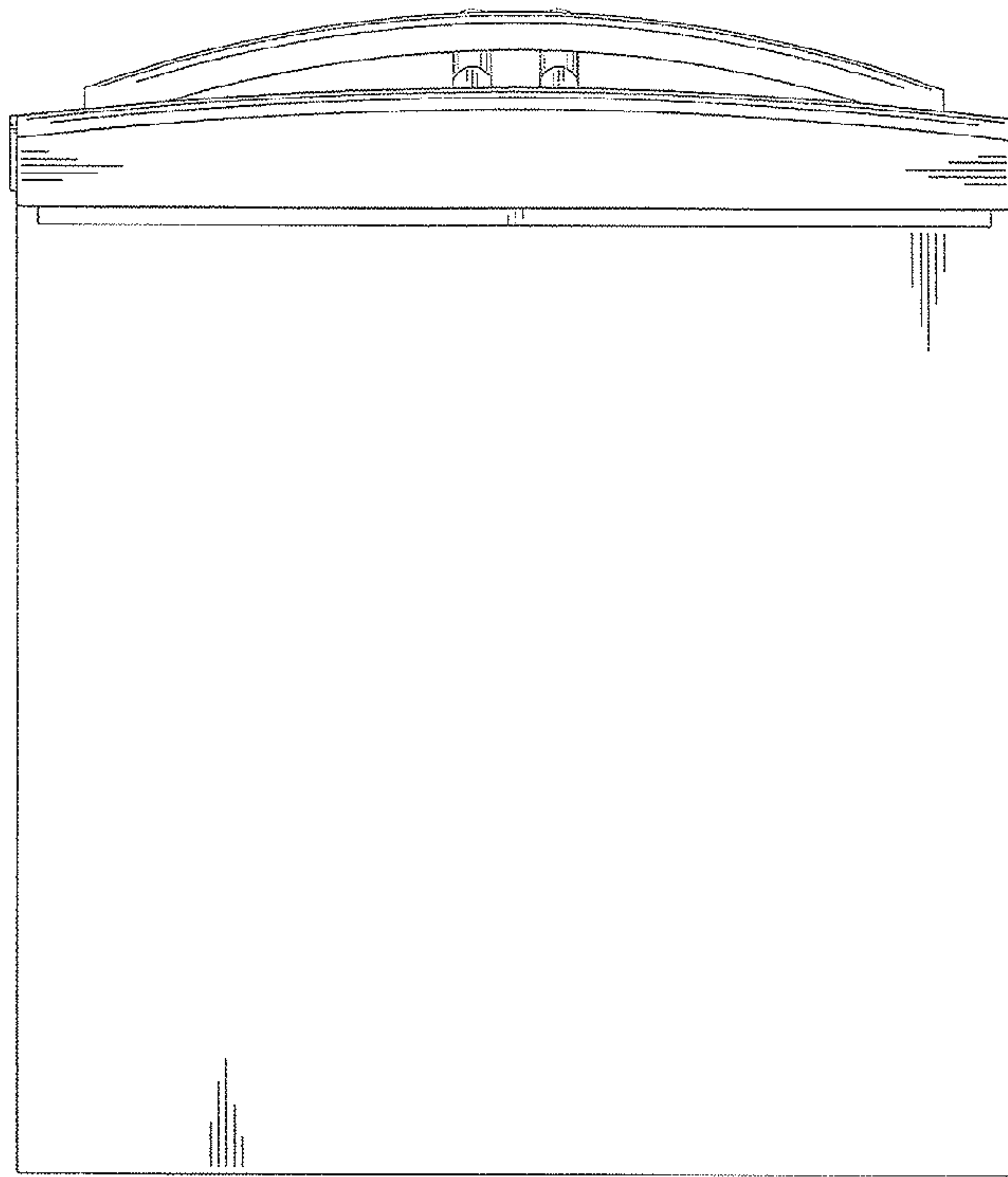




Fig. 8

