



US00D707264S

(12) **United States Design Patent**
Renski et al.

(10) **Patent No.:** **US D707,264 S**
(45) **Date of Patent:** **** Jun. 17, 2014**

(54) **ADAPTER FOR A GROUND ENGAGING MACHINE IMPLEMENT**

(75) Inventors: **William J. Renski**, Peoria, IL (US);
James Robert LaHood, Peoria, IL (US)

(73) Assignee: **Caterpillar Inc.**, Peoria, IL (US)

(**) Term: **14 Years**

(21) Appl. No.: **29/403,594**

(22) Filed: **Oct. 7, 2011**

(51) **LOC (10) Cl.** **15-03**

(52) **U.S. Cl.**
USPC **D15/29**; D15/28

(58) **Field of Classification Search**
USPC D15/11, 28, 29; 37/456, 452, 450, 446,
37/454, 449, 453, 455, 903; 403/379.5,
403/DIG. 1; 111/152; 172/724, 730, 766,
172/770, 771, 721, 713, 699, 772
See application file for complete search history.

(56) **References Cited**

U.S. PATENT DOCUMENTS

- 1,384,701 A * 7/1921 McMonegal 37/454
- 1,571,782 A * 2/1926 Andrews 37/454
- 2,427,651 A 9/1947 Baer
- D182,143 S * 2/1958 Petersen D15/29
- 2,982,035 A 5/1961 Stephenson
- 3,019,537 A 2/1962 Stephenson
- 3,312,004 A 4/1967 Johnson
- 3,623,247 A 11/1971 Stepe
- 3,774,324 A * 11/1973 Lafond 37/457
- 3,823,496 A * 7/1974 Querci et al. 37/458
- 3,832,077 A * 8/1974 Von Mehren 403/379.4
- 4,027,408 A 6/1977 Ramella et al.
- D251,431 S * 3/1979 Klett et al. D15/28
- D252,461 S * 7/1979 Korpi D15/28
- D255,119 S * 5/1980 Korpi D15/29
- 4,231,173 A * 11/1980 Davis 37/457
- D275,859 S * 10/1984 Nilsson D15/28

- 4,516,340 A 5/1985 Launder
- D296,442 S * 6/1988 Broomhall D15/29
- 4,761,900 A 8/1988 Emrich
- 4,932,145 A 6/1990 Reeves
- 4,949,481 A 8/1990 Fellner
- 4,965,945 A 10/1990 Emrich
- 4,980,980 A * 1/1991 Schadov et al. 37/452

(Continued)

FOREIGN PATENT DOCUMENTS

- EP 0 411 486 A1 2/1991
- EP 2011927 A2 1/2009

OTHER PUBLICATIONS

U.S. Appl. No. 13/644,518, filed Oct. 4, 2012, entitled "Implement Tooth Assembly with Tip and Adapter".

(Continued)

Primary Examiner — Mark Goodwin
(74) *Attorney, Agent, or Firm* — Saidman Design Law Group

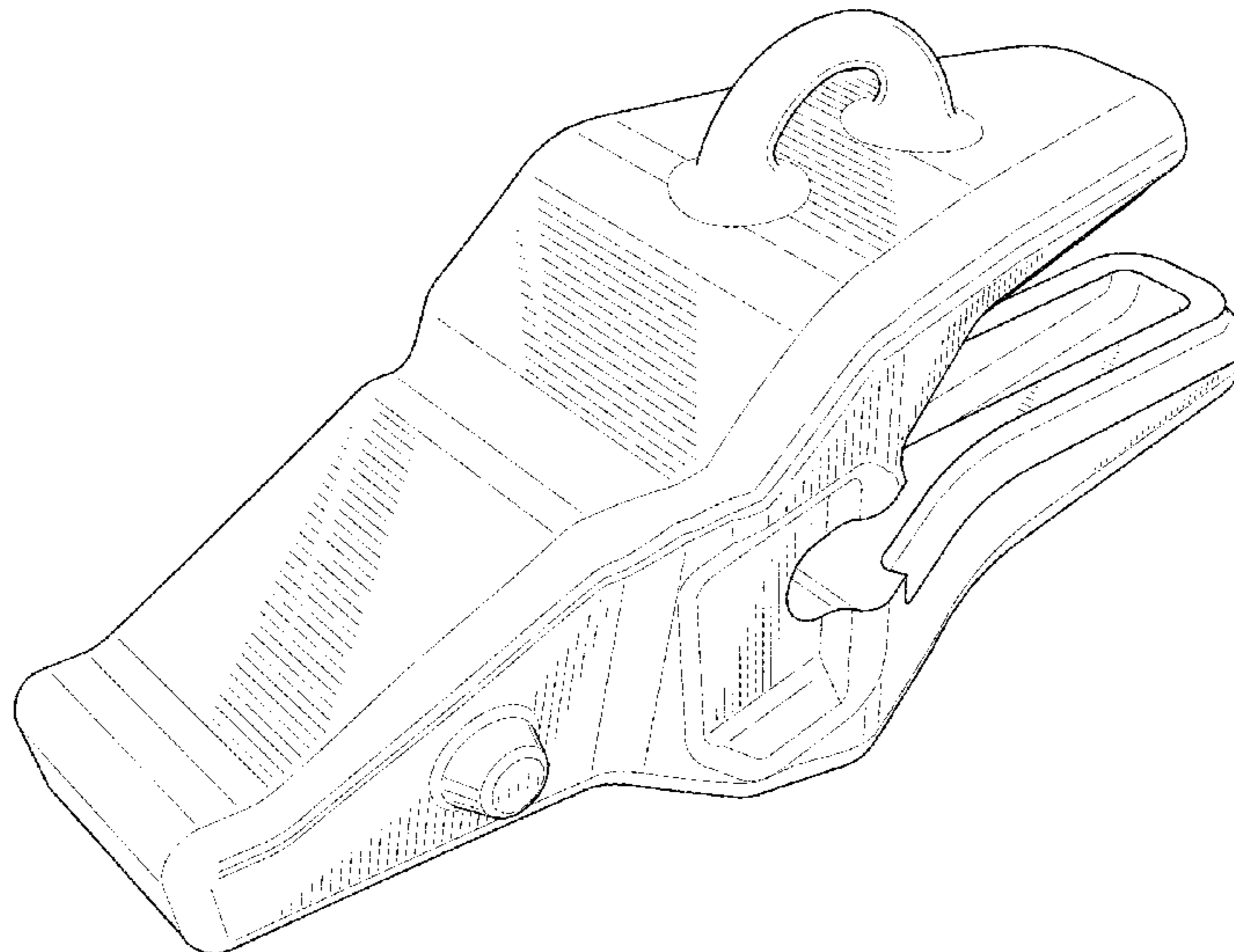
(57) **CLAIM**

The ornamental design for an adapter for a ground engaging machine implement, as shown and described.

DESCRIPTION

FIG. 1 is a perspective view of an adapter for a ground engaging machine implement showing our new design; FIG. 2 is a front view thereof; FIG. 3 is a right side view thereof; FIG. 4 is a left side view thereof; FIG. 5 is a rear view thereof; FIG. 6 is a top view thereof; FIG. 7 is a bottom view thereof; FIG. 8 is a bottom rear left perspective view thereof; and, FIG. 9 is a top rear right perspective view thereof.

1 Claim, 6 Drawing Sheets



(56)

References Cited

U.S. PATENT DOCUMENTS

5,018,283 A 5/1991 Fellner
 D336,476 S * 6/1993 Garman D15/28
 D339,592 S * 9/1993 Johansson D15/29
 D345,364 S * 3/1994 Robinson D15/29
 D352,044 S * 11/1994 Hahn D15/29
 5,423,138 A * 6/1995 Livesay et al. 37/456
 D365,577 S * 12/1995 Ruvang D15/29
 5,561,925 A * 10/1996 Livesay 37/455
 D385,286 S * 10/1997 Moreno D15/29
 5,709,043 A * 1/1998 Jones et al. 37/458
 D392,292 S * 3/1998 Moreno D15/29
 D395,661 S * 6/1998 Moreno D15/29
 5,852,888 A 12/1998 Cornelius
 D408,422 S * 4/1999 Moreno D15/29
 D410,657 S * 6/1999 Launder et al. D15/29
 D413,338 S * 8/1999 Pueyo Molina D15/29
 D414,193 S * 9/1999 Launder et al. D15/29
 D415,173 S * 10/1999 Zaun D15/29
 5,983,534 A 11/1999 Robinson et al.
 D417,877 S * 12/1999 Launder et al. D15/29
 D429,256 S * 8/2000 Zaun D15/29
 D429,258 S * 8/2000 Zaun D15/29
 6,321,471 B2 * 11/2001 Fernandez Munoz et al. . 37/456
 D454,891 S * 3/2002 Ketting et al. D15/29
 D460,464 S * 7/2002 Ketting et al. D15/29
 D461,198 S * 8/2002 Ketting et al. D15/29

D461,832 S * 8/2002 Ketting et al. D15/29
 6,477,796 B1 * 11/2002 Cornelius 37/452
 6,735,890 B2 5/2004 Carpenter et al.
 6,745,503 B1 6/2004 Moreno et al.
 D499,749 S * 12/2004 Launder et al. D15/29
 6,836,983 B2 1/2005 Moreno et al.
 6,865,828 B1 3/2005 Molino et al.
 D505,137 S * 5/2005 Steinlage et al. D15/29
 D512,078 S * 11/2005 Poutre D15/29
 D527,029 S * 8/2006 Launder et al. D15/29
 7,100,315 B2 9/2006 Carpenter et al.
 7,168,193 B2 1/2007 Moreno et al.
 D552,632 S * 10/2007 De Martiis D15/29
 D560,232 S * 1/2008 De Martiis D15/29
 7,367,144 B2 5/2008 Jones et al.
 D614,206 S * 4/2010 Ruvang D15/29
 7,739,814 B2 6/2010 Carpenter et al.
 D624,943 S * 10/2010 Gibbon D15/29
 2008/0028644 A1 2/2008 Almendros et al.

OTHER PUBLICATIONS

U.S. Appl. No. 29/403,566, filed Oct. 7, 2011, entitled "Adapter for a Ground Engaging Machine Implement".
 Caterpillar, "Cat Backhoe Loader Options," published Jan. 1, 2005.
 Caterpillar, Inc., Cat® K Series™ Tooth Systems, brochure (4 pages), 2006.

* cited by examiner

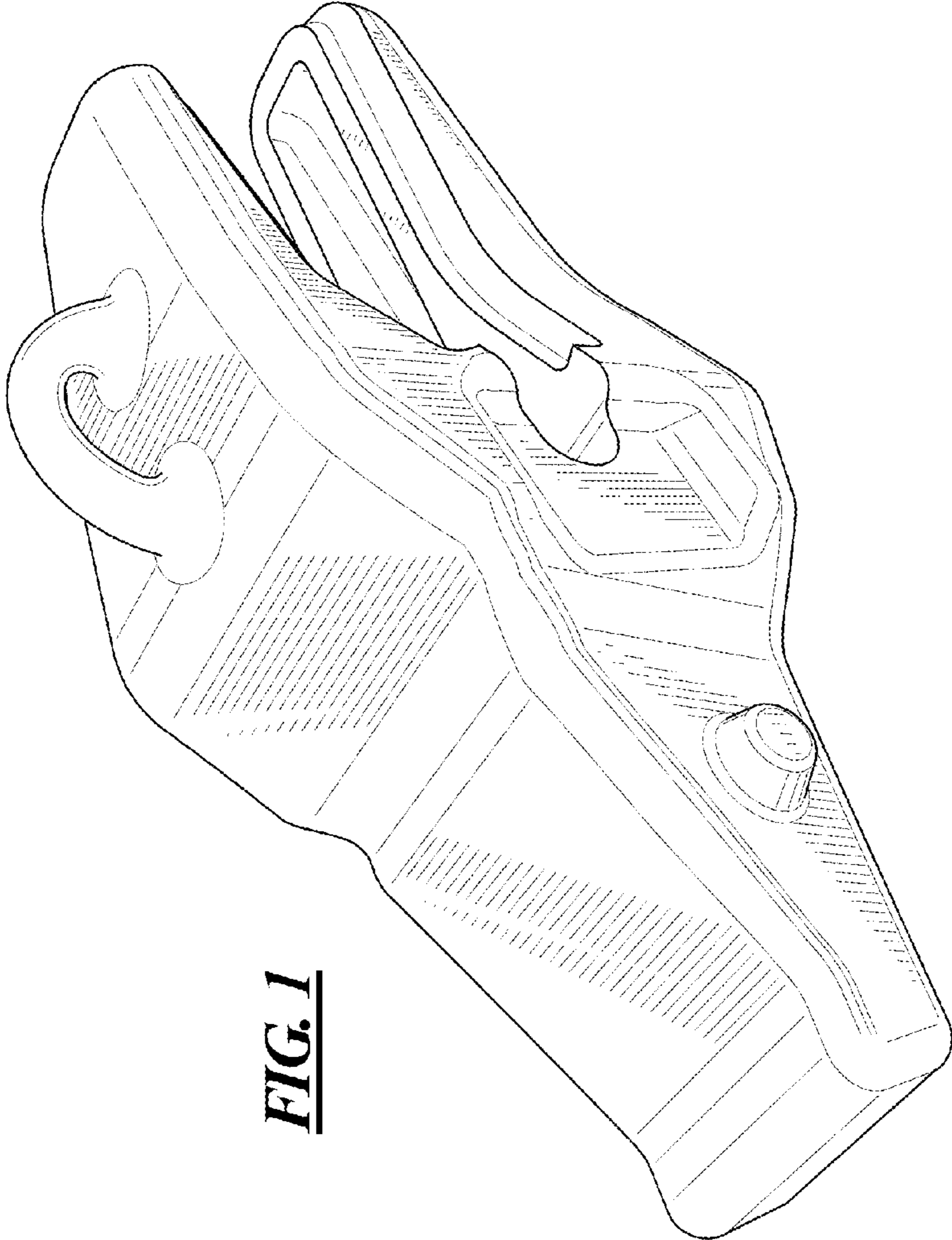


FIG. 1

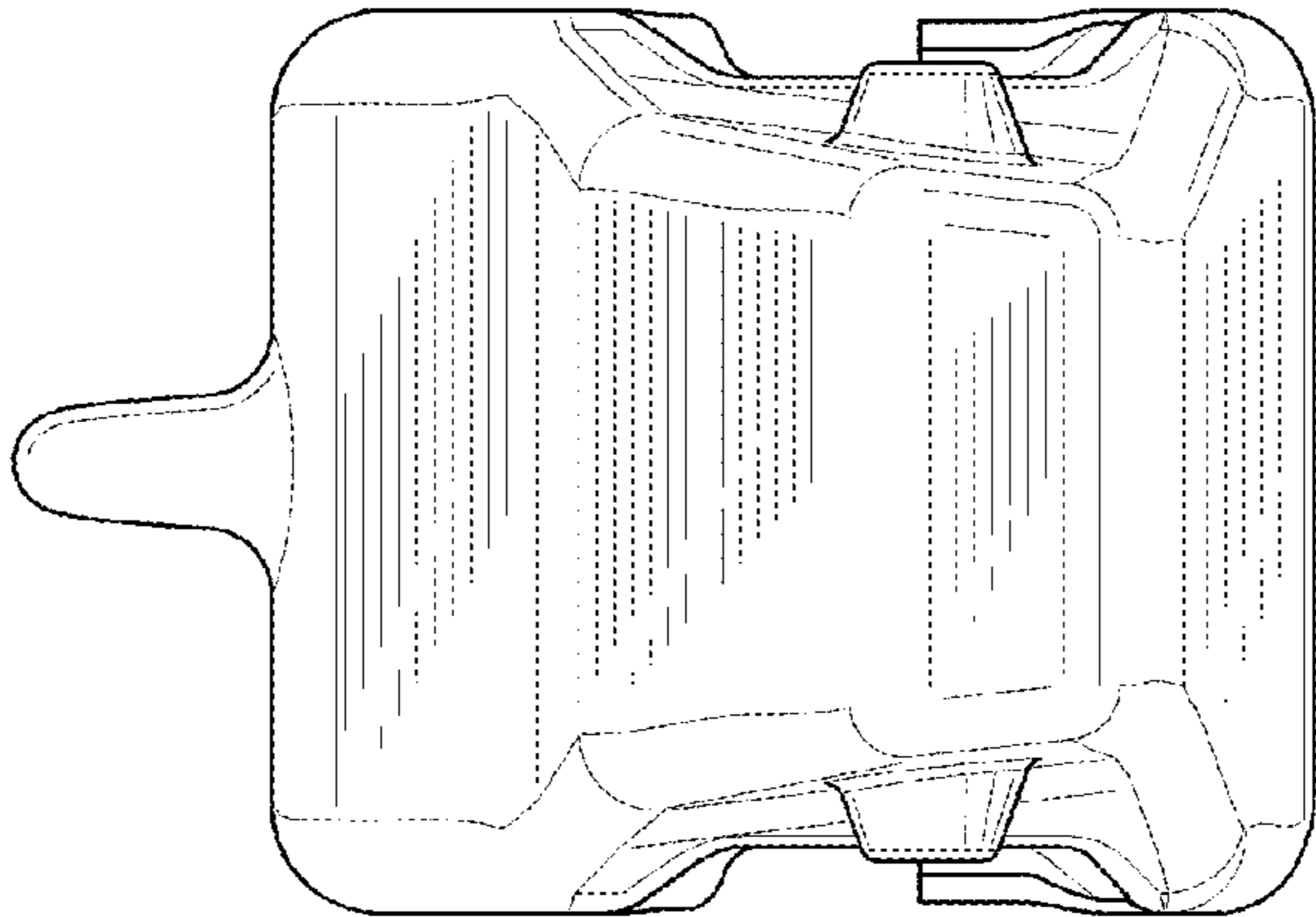


FIG. 2

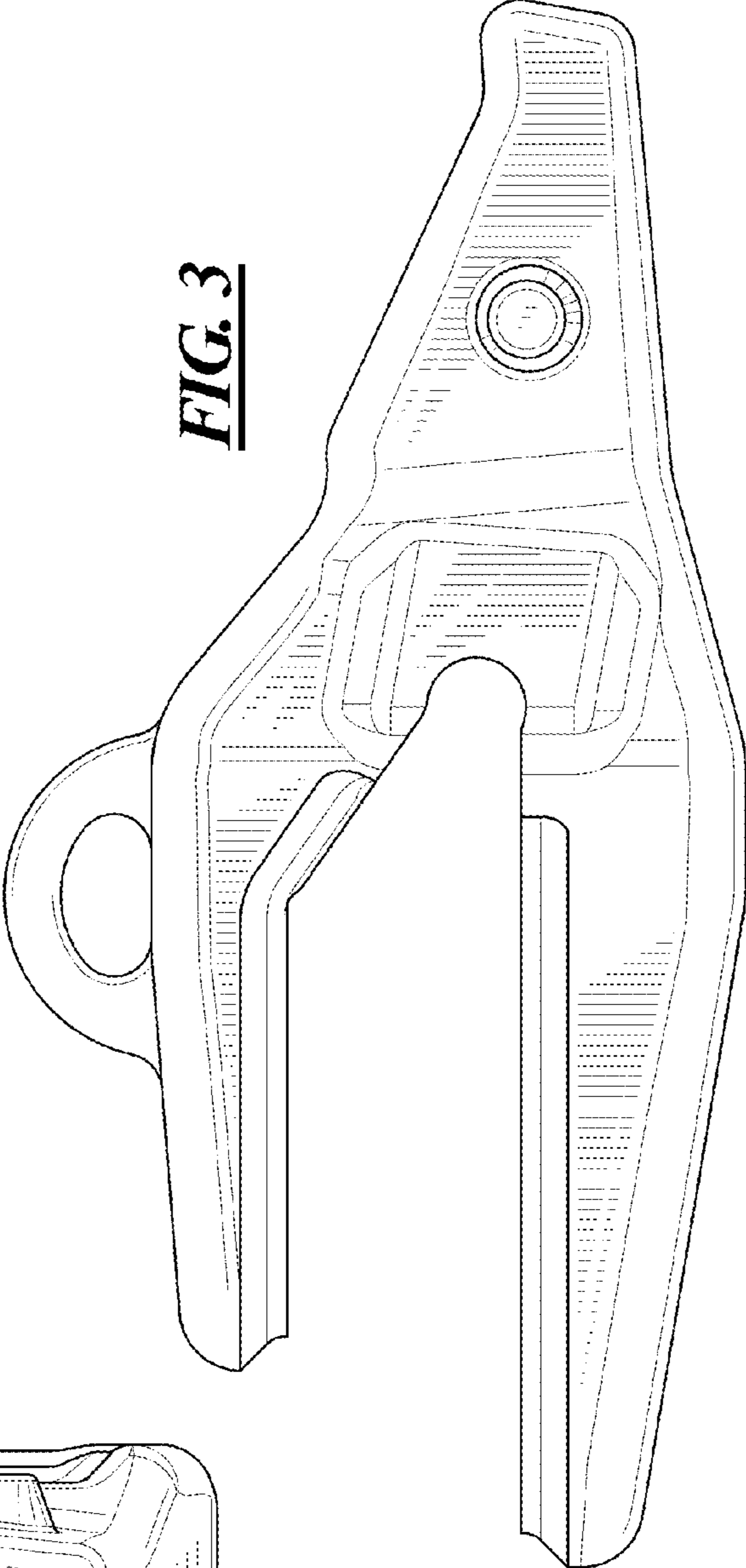


FIG. 3

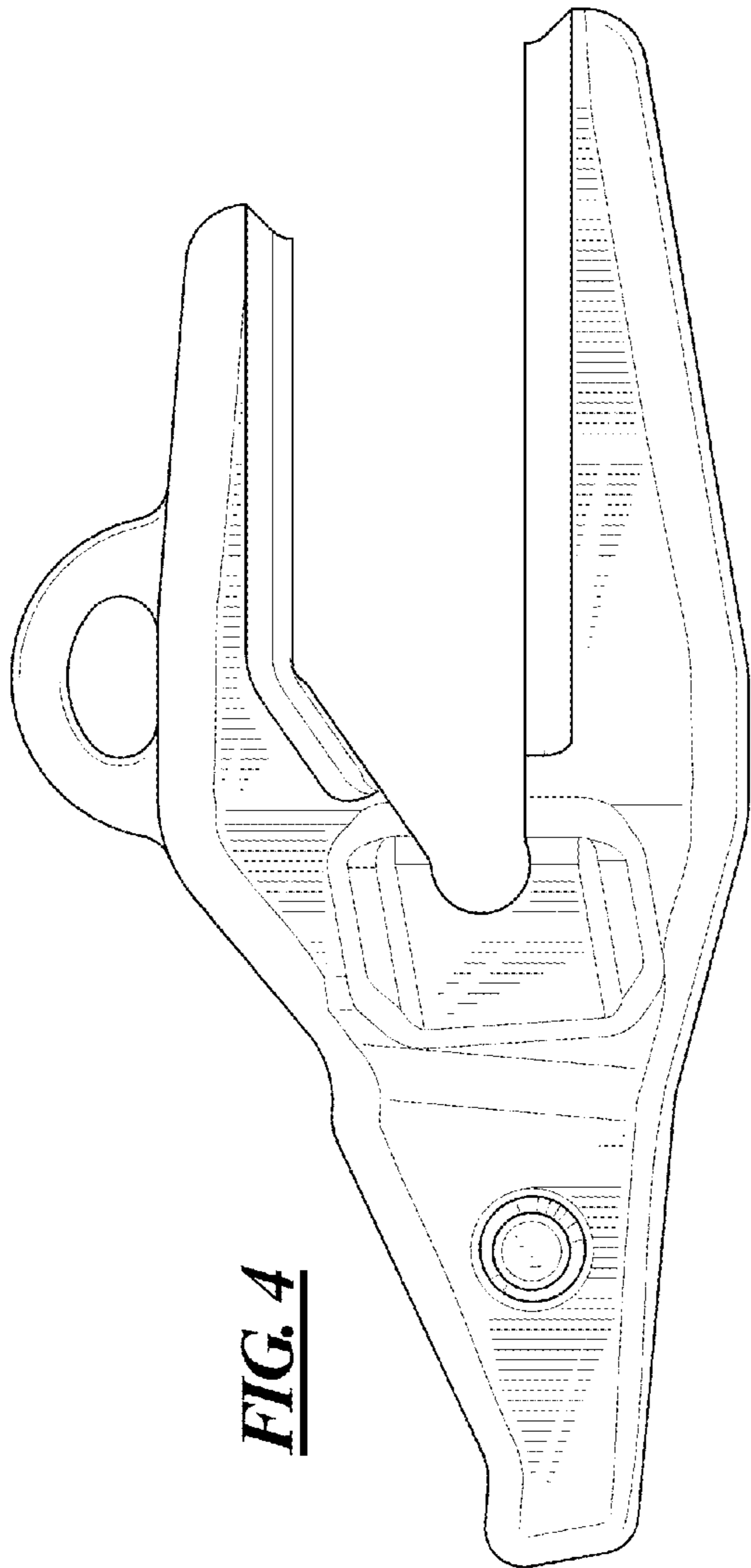


FIG. 4

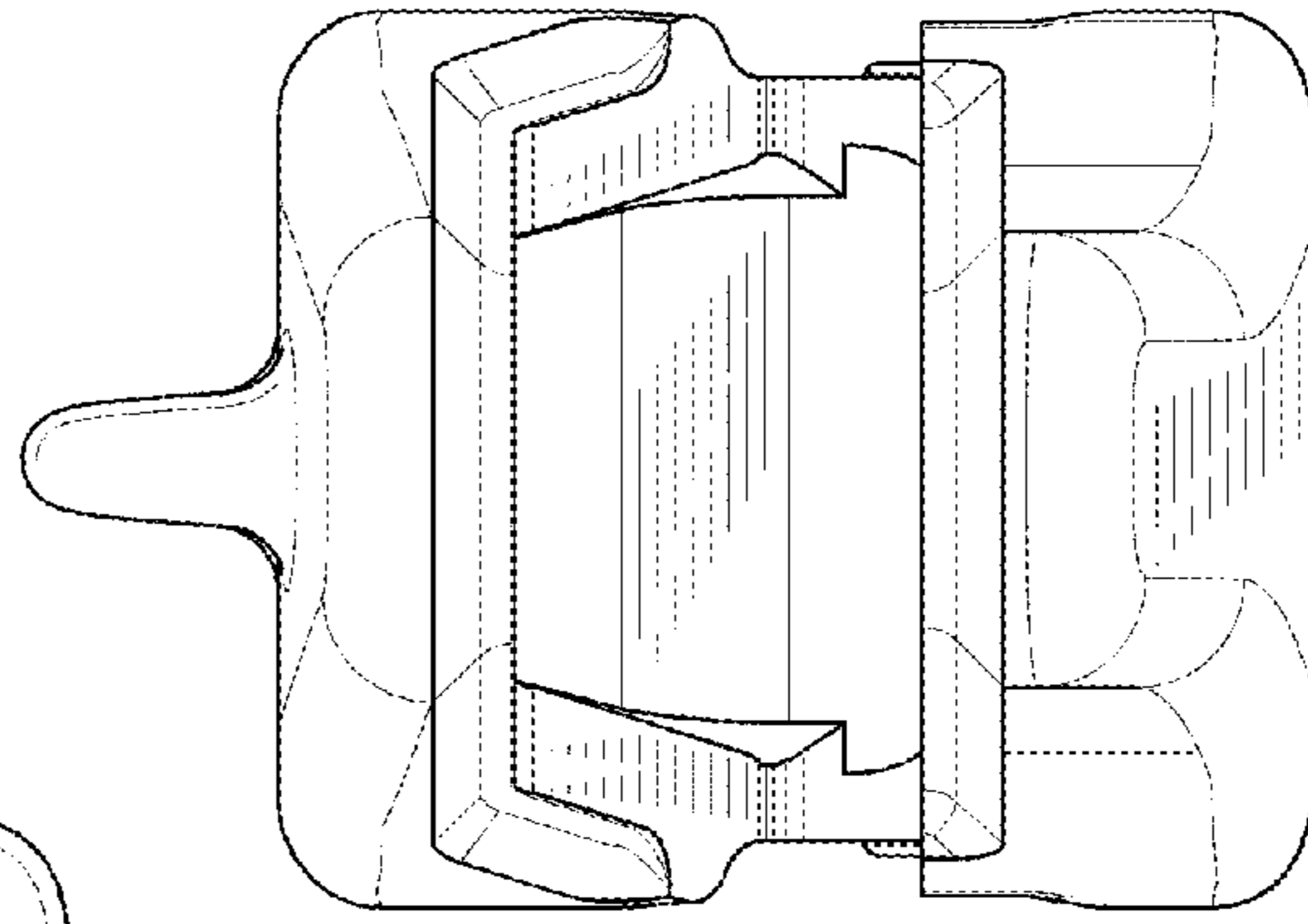
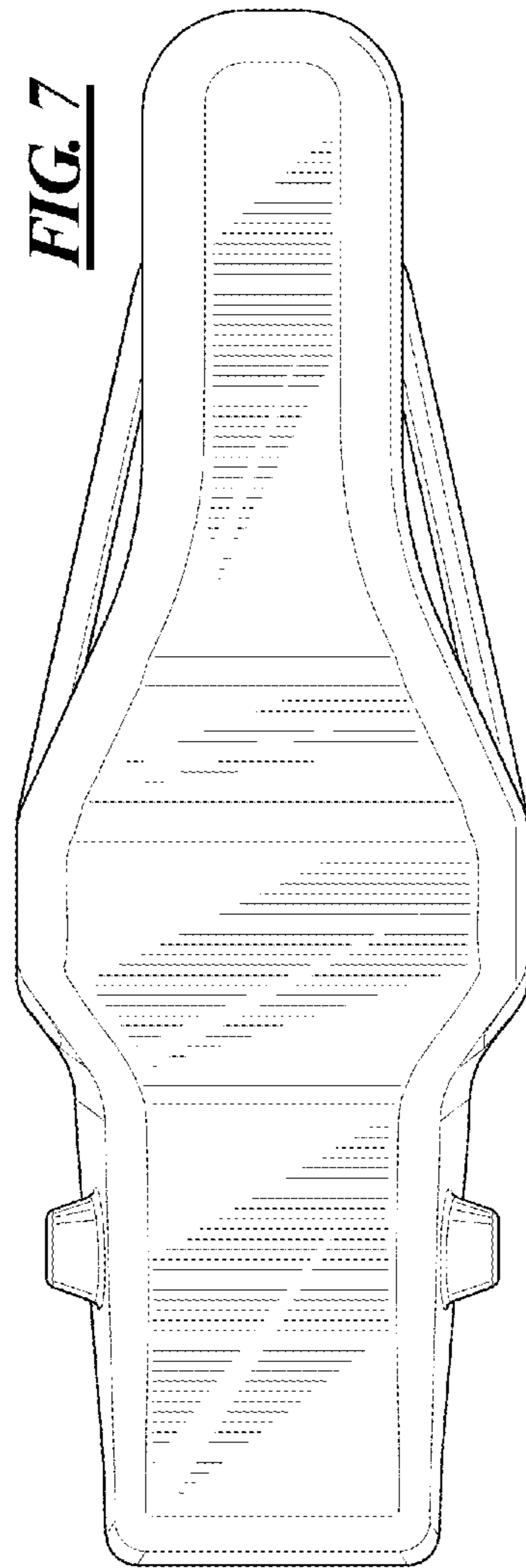
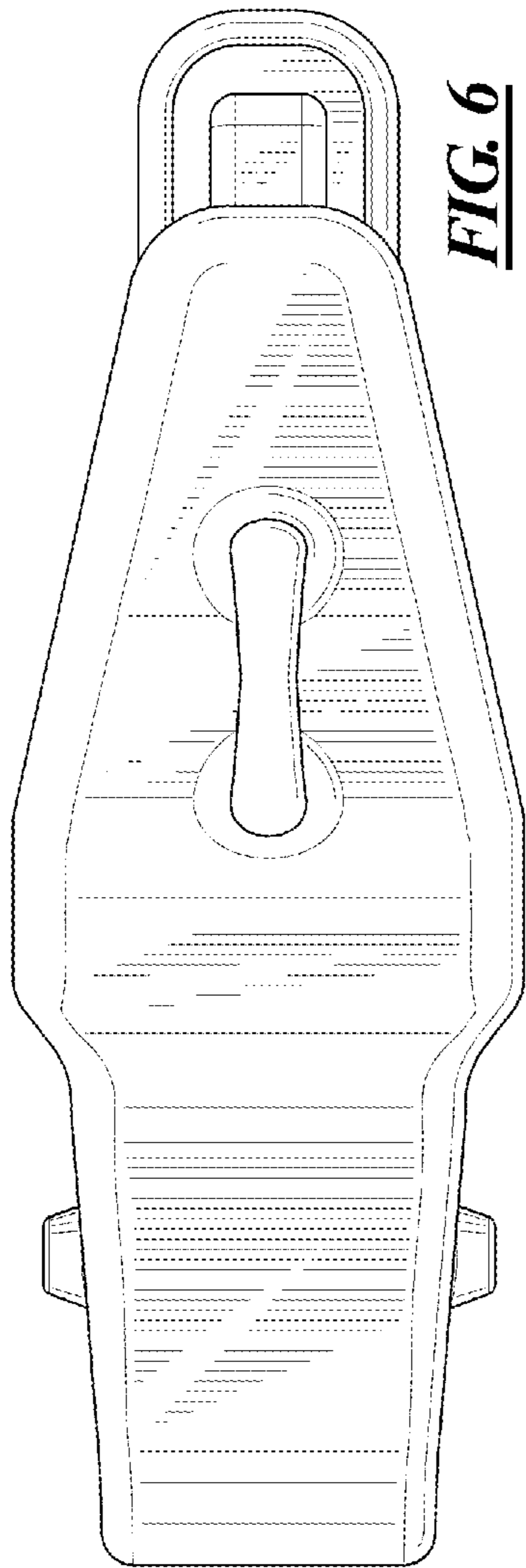


FIG. 5



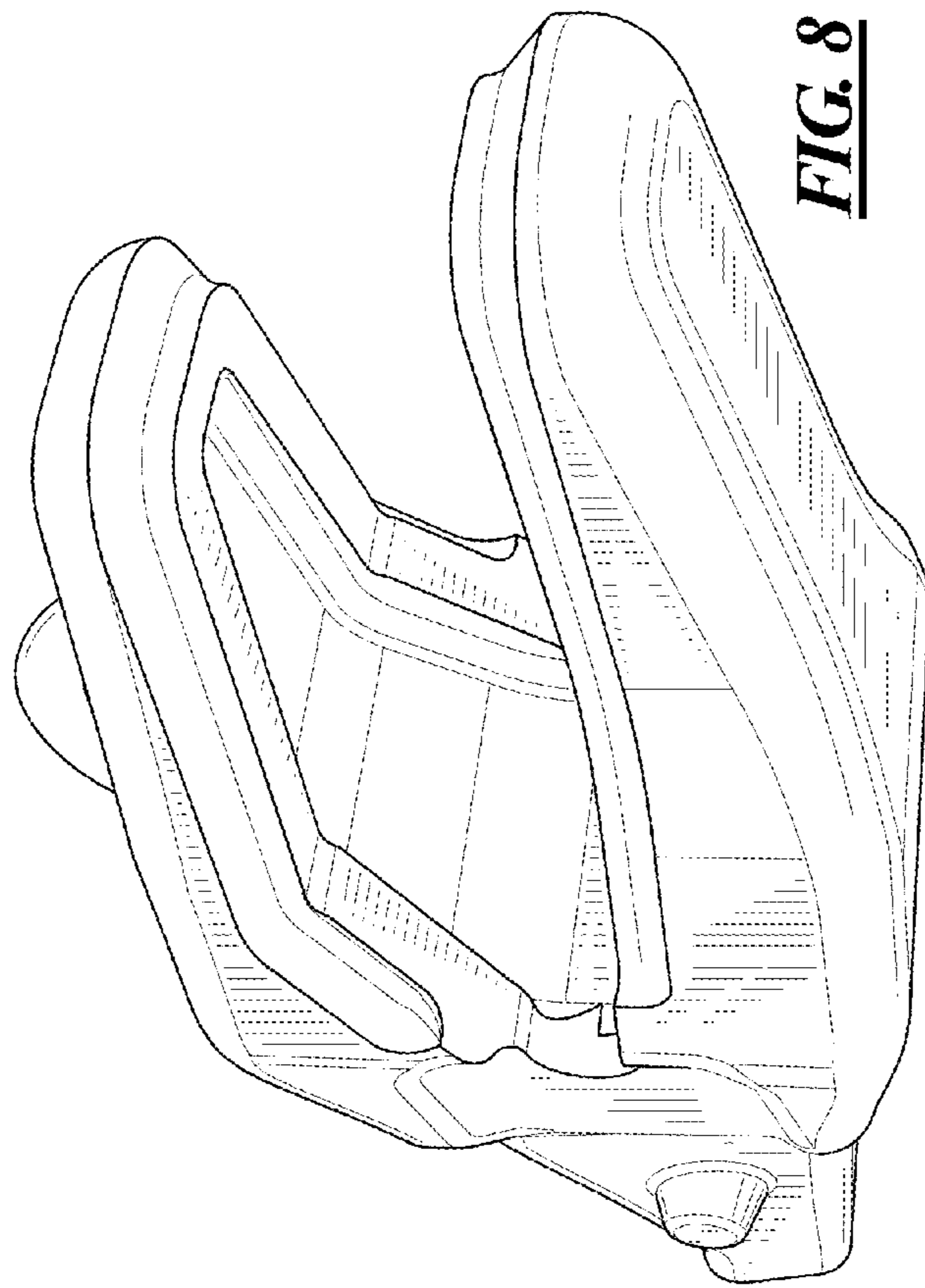


FIG. 8

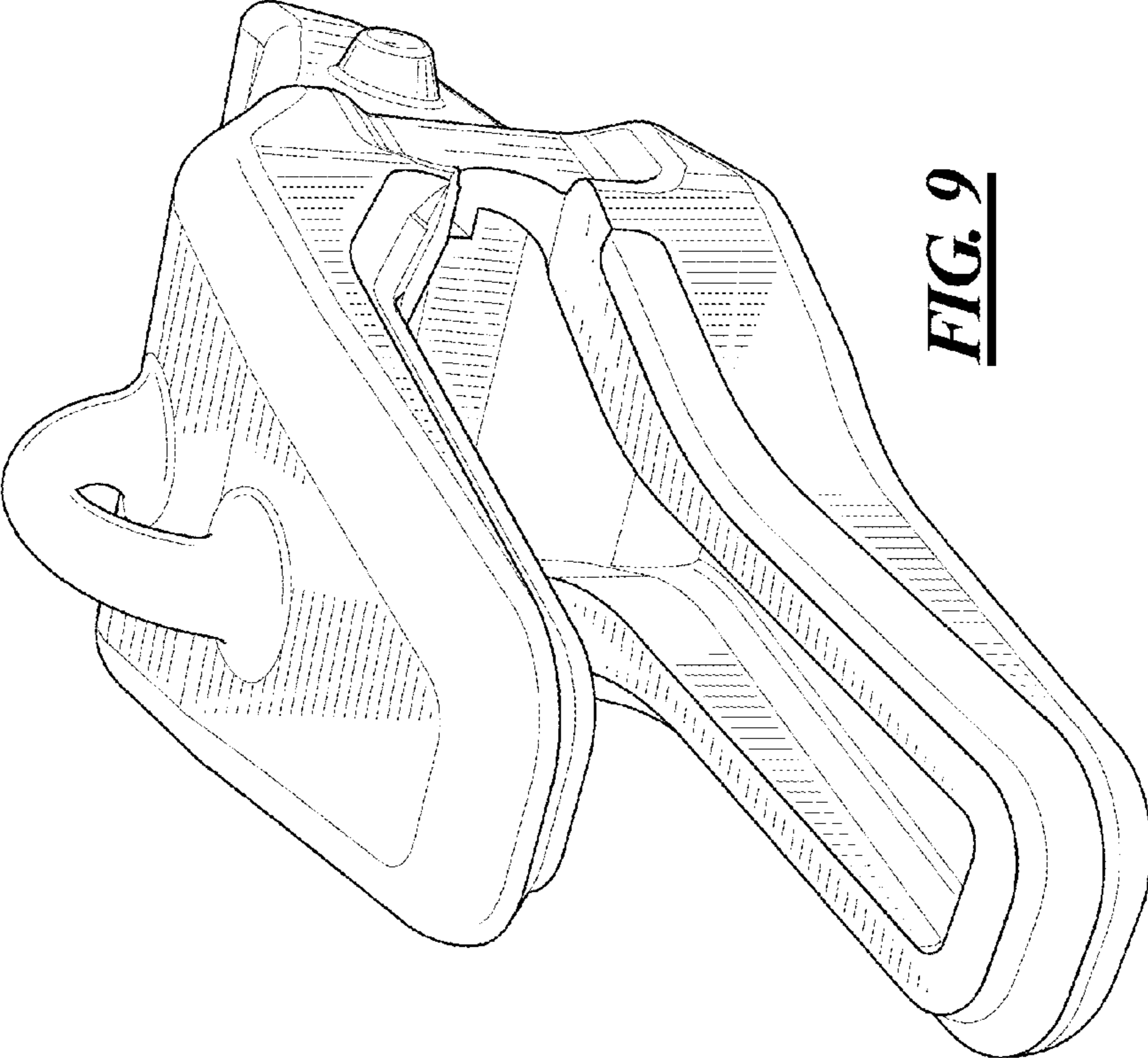


FIG. 9