



US00D707261S

(12) **United States Design Patent**  
**Caboret et al.**

(10) **Patent No.:** **US D707,261 S**  
(45) **Date of Patent:** **\*\* Jun. 17, 2014**

(54) **EXCAVATOR**

(71) Applicant: **Yanmar Co., Ltd.**, Osaka (JP)

(72) Inventors: **Christophe Caboret**, Saint-Dizier (FR);  
**Guillaume Multon**, Saint-Dizier (FR);  
**Cedric Lalaus**, Saint-Dizier (FR)

(73) Assignee: **Yanmar Co., Ltd.**, Osaka (JP)

(\*\*) Term: **14 Years**

(21) Appl. No.: **29/469,108**

(22) Filed: **Oct. 7, 2013**

(30) **Foreign Application Priority Data**

Apr. 9, 2013 (EM) ..... 002216812-0001

(51) **LOC (10) CL.** ..... **12-09**

(52) **U.S. CL.**  
USPC ..... **D15/24**

(58) **Field of Classification Search**  
USPC ..... D15/10, 22-26, 28, 30; 180/89.1, 89.2,  
180/89.13, 900, 9.1, 9.2, 9.62; 37/379;  
414/694, 699, 722-724, 660, 685, 698,  
414/719, 743

See application file for complete search history.

(56) **References Cited**

**U.S. PATENT DOCUMENTS**

D432,144 S \* 10/2000 Kraft et al. .... D15/30  
D450,331 S \* 11/2001 Murakami et al. .... D15/25  
D450,717 S \* 11/2001 Muraro ..... D15/25  
D474,481 S \* 5/2003 Hara ..... D15/25  
D508,498 S \* 8/2005 Shimokakiuchi et al. .... D15/24  
D511,531 S \* 11/2005 Sewell et al. .... D15/24

D518,071 S \* 3/2006 Gwak et al. .... D15/25  
D527,027 S \* 8/2006 Smith et al. .... D15/24  
D538,304 S \* 3/2007 Uemura ..... D15/25  
D538,827 S \* 3/2007 Uemura ..... D15/25  
D555,675 S \* 11/2007 Matsubara et al. .... D15/25  
D561,785 S \* 2/2008 Imashige et al. .... D15/24  
D562,354 S \* 2/2008 Imashige et al. .... D15/28  
D563,437 S \* 3/2008 Imashige et al. .... D15/24  
D575,804 S \* 8/2008 Murakami et al. .... D15/28  
D576,180 S \* 9/2008 Kuwae et al. .... D15/25  
D590,845 S \* 4/2009 Ochi et al. .... D15/22  
D591,773 S \* 5/2009 Ueta et al. .... D15/22  
D609,252 S \* 2/2010 Shimada et al. .... D15/25  
D631,067 S \* 1/2011 Nishimura et al. .... D15/24  
D633,926 S \* 3/2011 Shimada et al. .... D15/25  
D692,924 S \* 11/2013 Hatanaka et al. .... D15/24

\* cited by examiner

*Primary Examiner* — Mark Goodwin

(74) *Attorney, Agent, or Firm* — Sterne, Kessler, Goldstein & Fox P.L.L.C.

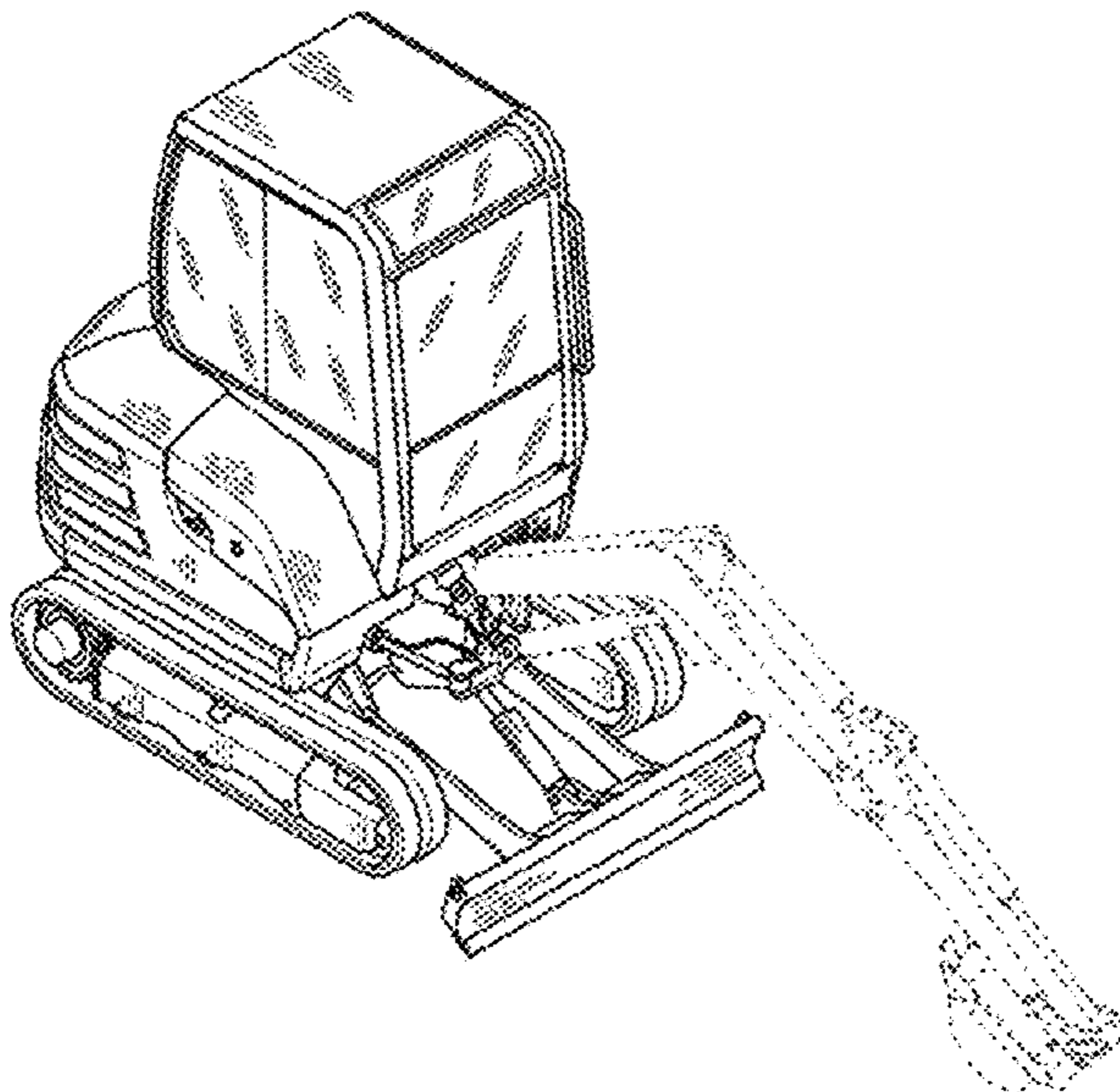
(57) **CLAIM**

The ornamental design for an excavator, as shown and described.

**DESCRIPTION**

FIG. 1 is a top front perspective view of an excavator showing our new design;  
FIG. 2 is a front view thereof;  
FIG. 3 is a rear view thereof;  
FIG. 4 is a left side view thereof;  
FIG. 5 is a right side view thereof;  
FIG. 6 is a top plan view thereof; and,  
FIG. 7 is a bottom plan view thereof.  
The broken lines in the Figures show unclaimed portions of the excavator and form no part of the claimed design.

**1 Claim, 7 Drawing Sheets**



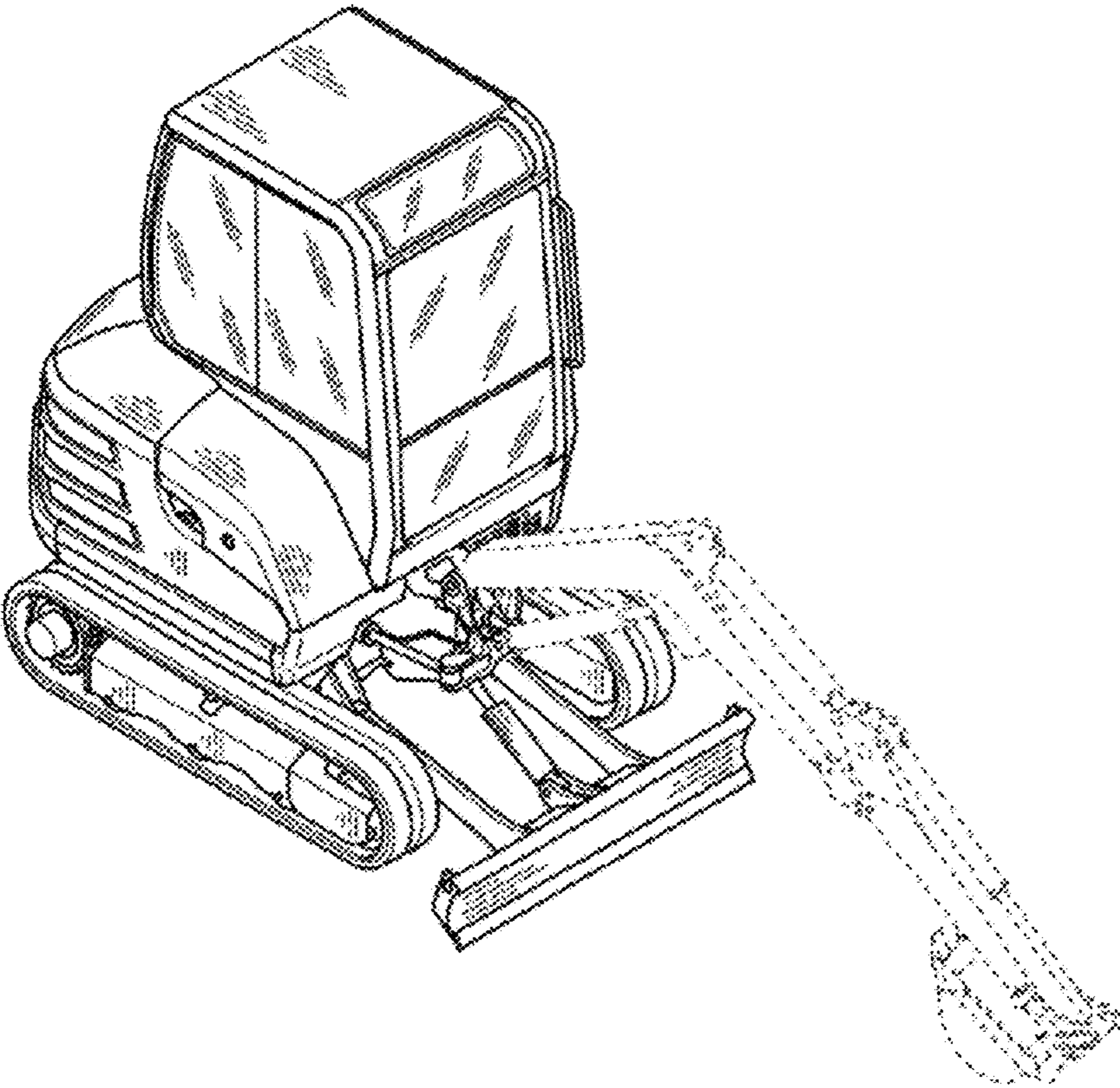


FIG. 1

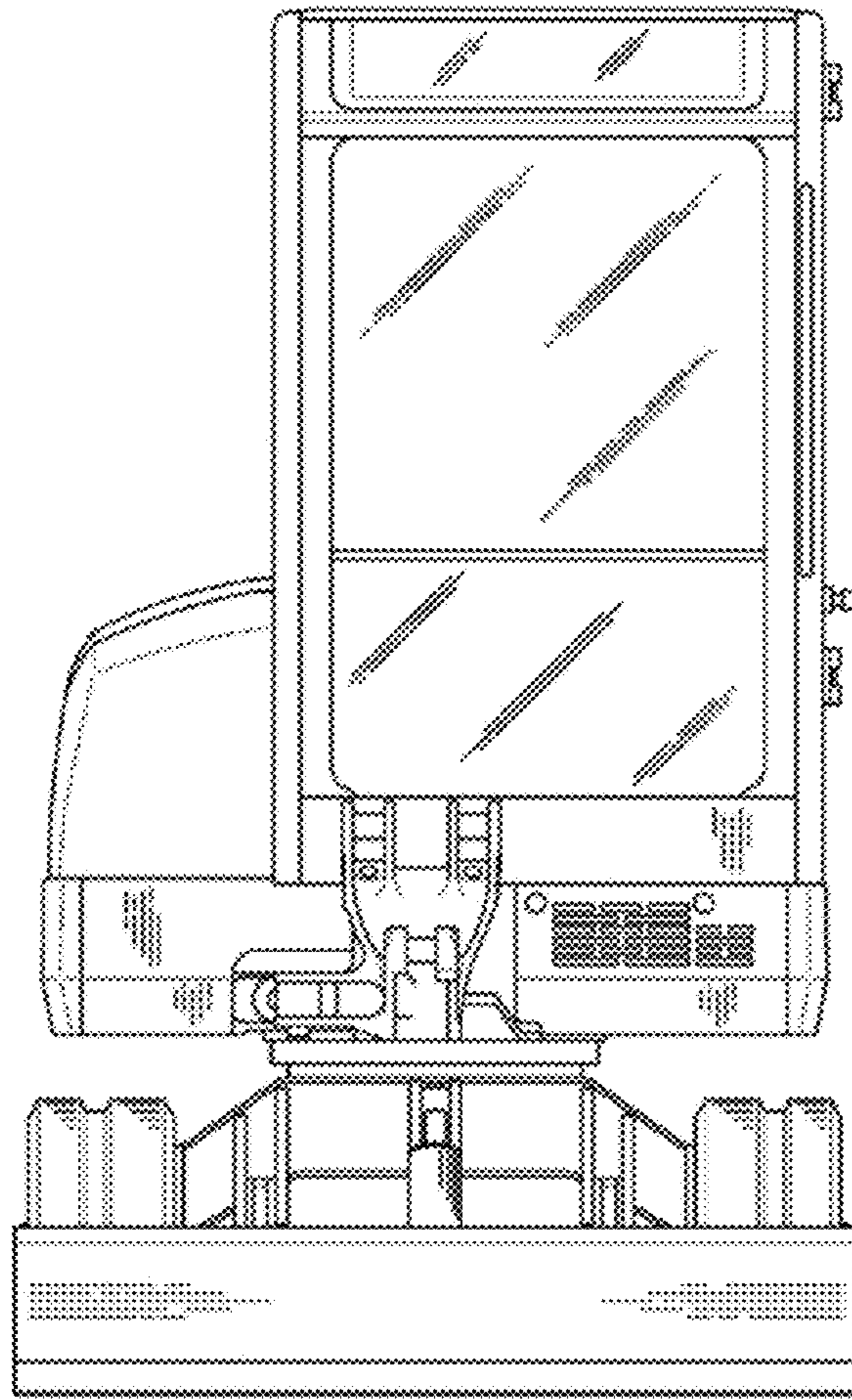


FIG. 2

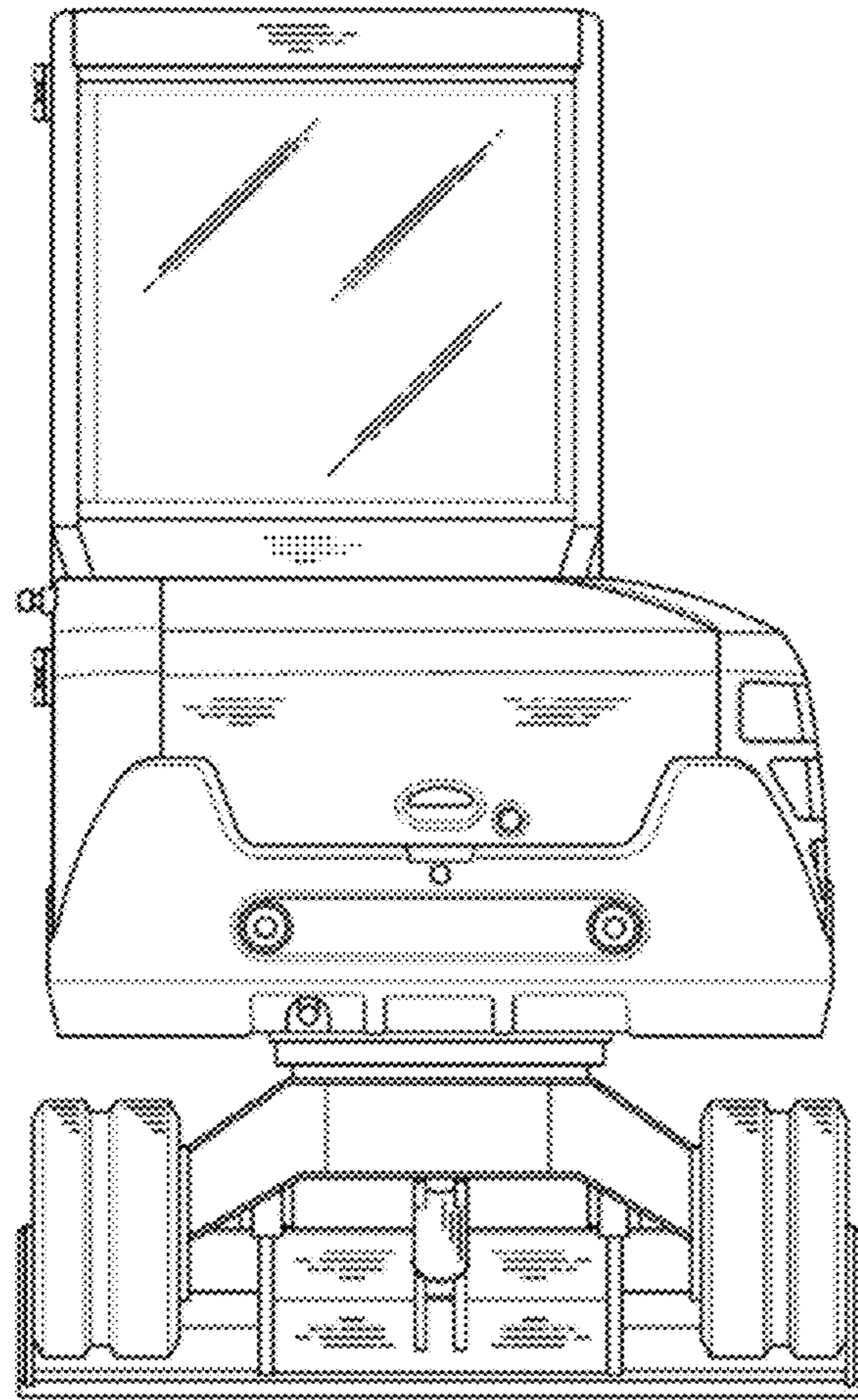


FIG. 3

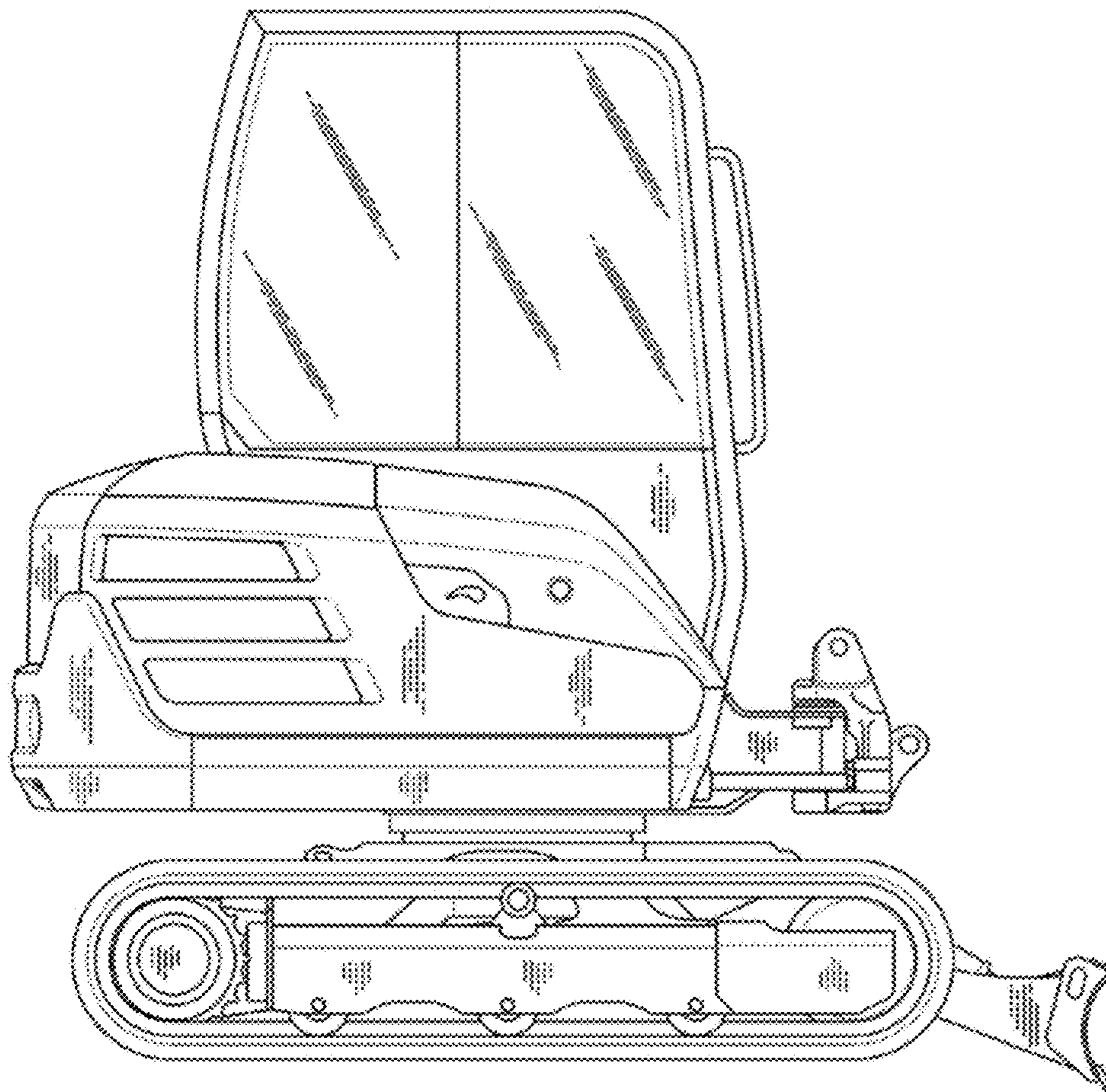


FIG. 4

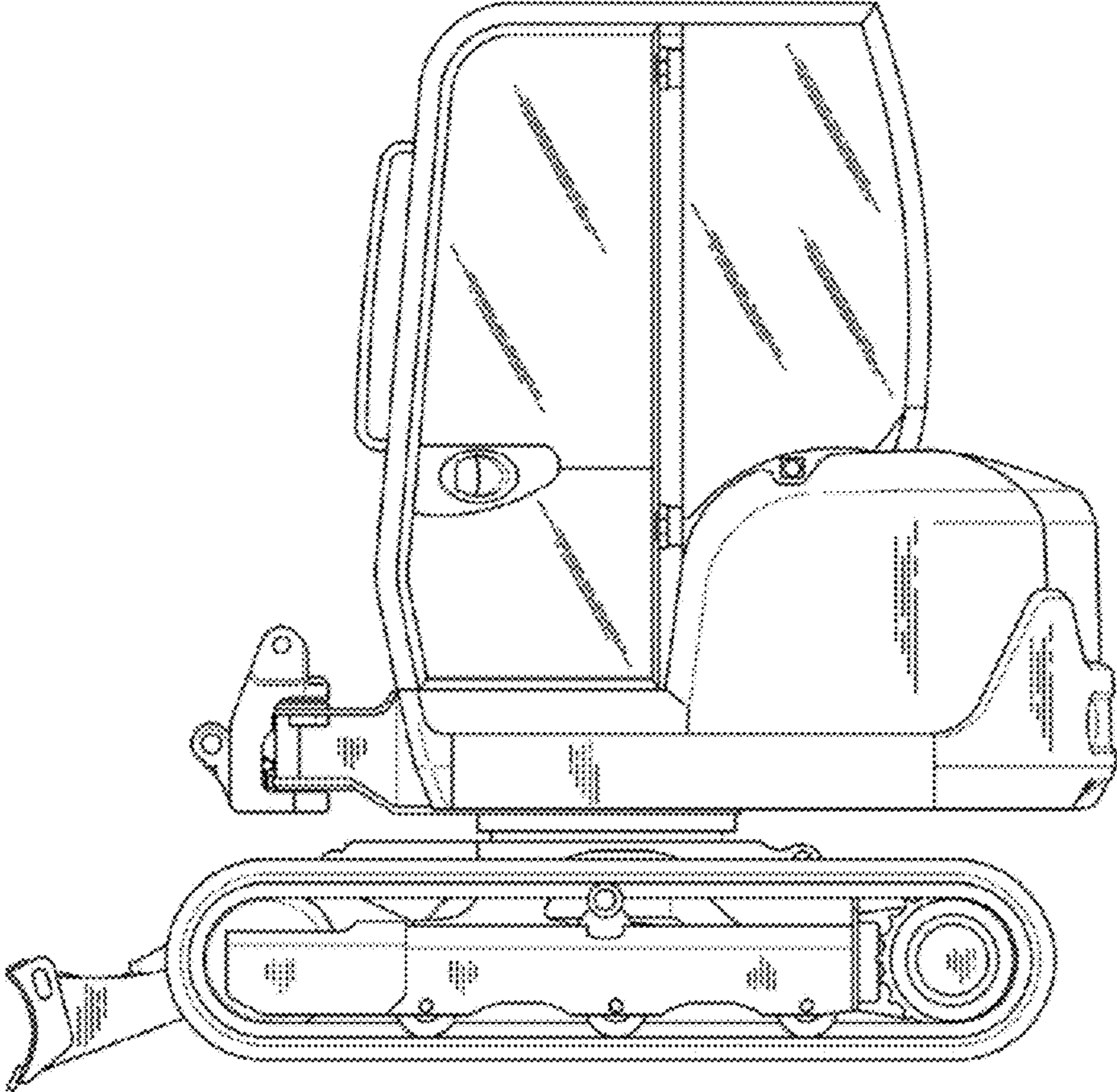


FIG. 5

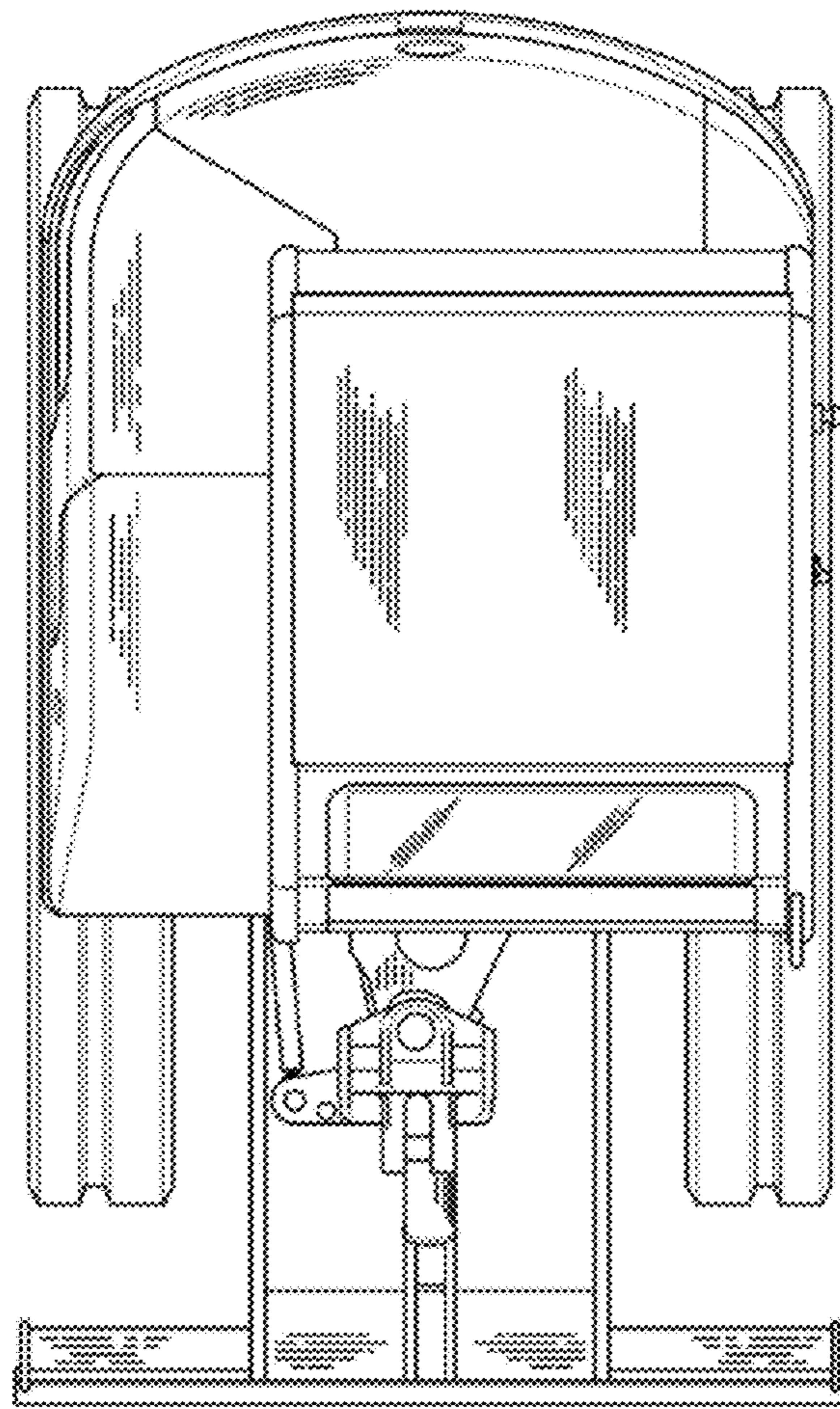


FIG. 6

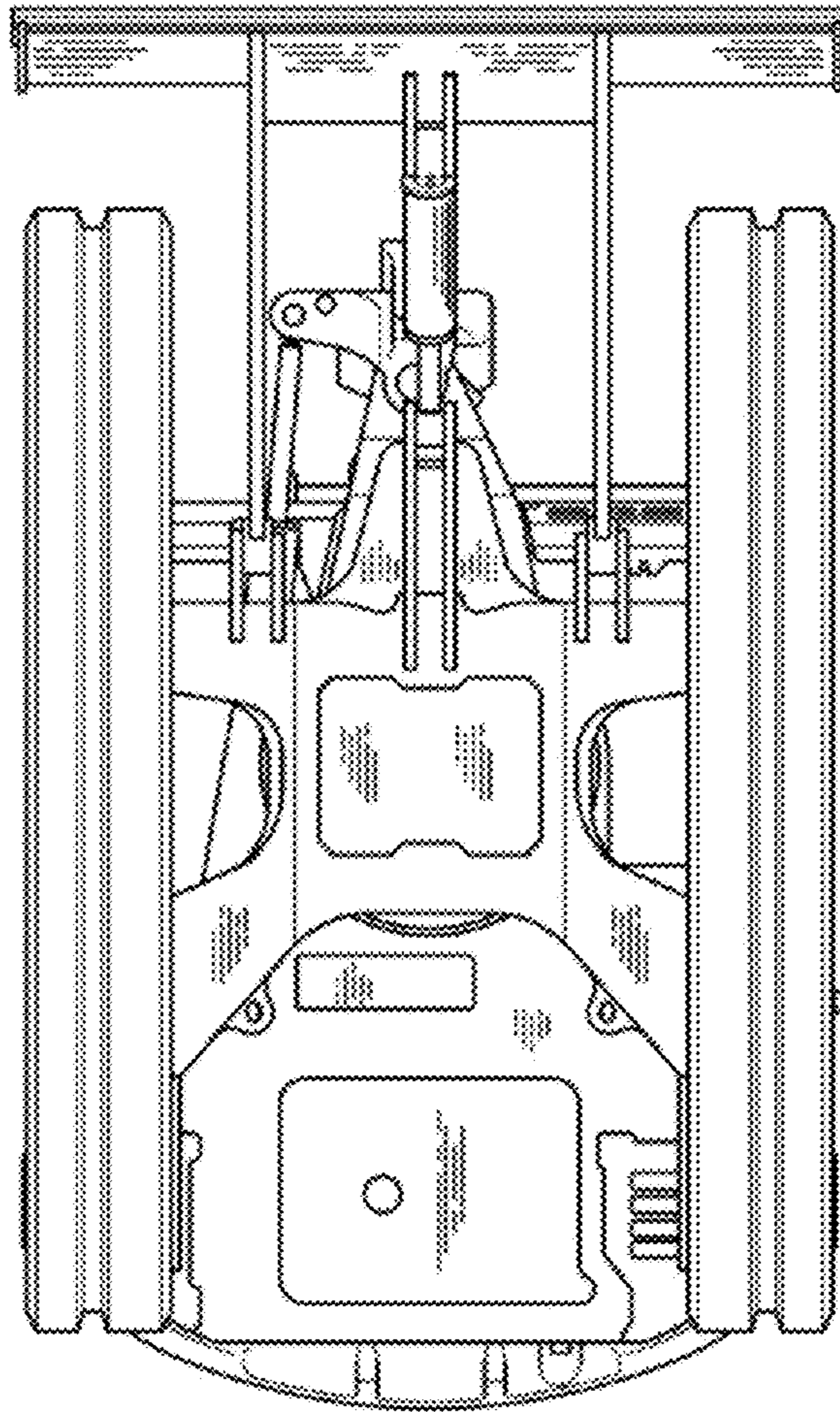


FIG. 7