



US00D707259S

(12) **United States Design Patent**
Timmer

(10) **Patent No.:** **US D707,259 S**
(45) **Date of Patent:** **** Jun. 17, 2014**

(54) **DOUBLE MEMBRANE PUMP**

(56) **References Cited**

(71) Applicant: **Timmer-Pneumatik GmbH**,
Neuenkirchen (DE)
(72) Inventor: **Herbert Timmer**, Neuenkirchen (DE)
(73) Assignee: **Timmer-Pneumatik GmbH**,
Neuenkirchen (DE)
(**) Term: **14 Years**

U.S. PATENT DOCUMENTS

D448,778 S	*	10/2001	Iwata	D15/7
D498,766 S	*	11/2004	Iwata	D15/7
D499,116 S	*	11/2004	Iwata	D15/7
D512,441 S	*	12/2005	Iwata	D15/7
D624,936 S	*	10/2010	Houghton	D15/9
D641,379 S	*	7/2011	Milojevic et al.	D15/7
D641,380 S	*	7/2011	Milojevic et al.	D15/7
D641,381 S	*	7/2011	Milojevic et al.	D15/7

* cited by examiner

(21) Appl. No.: **29/466,293**
(22) Filed: **Sep. 6, 2013**

Primary Examiner — Ralf Seifert

(74) *Attorney, Agent, or Firm* — The Law Office of Michael E. Kondoudis

(30) **Foreign Application Priority Data**

Mar. 18, 2013 (EM) 002204362-0001

(57) **CLAIM**

The ornamental design for a double membrane pump, as shown and described.

(51) **LOC (10) Cl.** **15-02**

DESCRIPTION

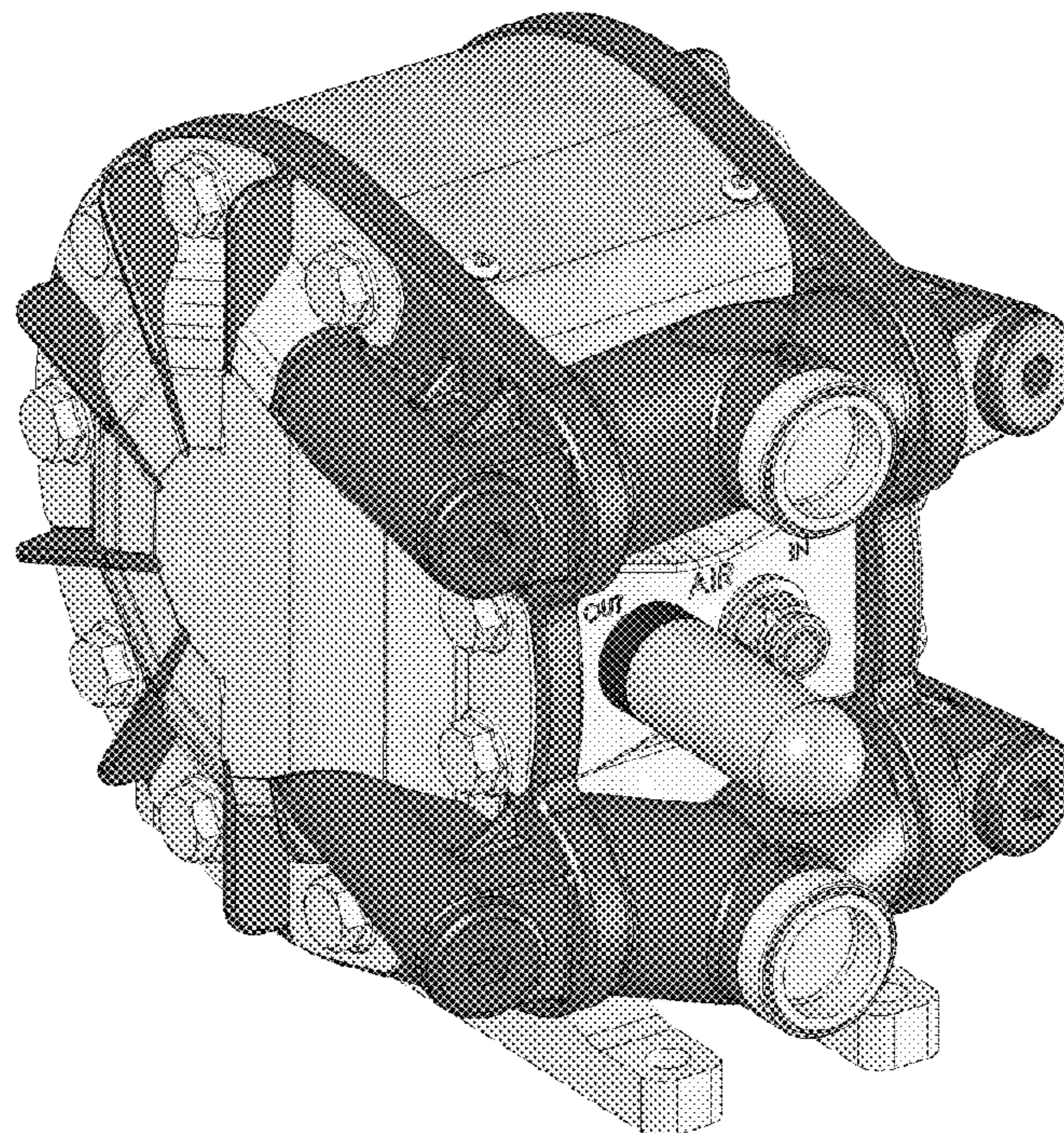
(52) **U.S. Cl.**
USPC **D15/7**

(58) **Field of Classification Search**
USPC D15/7-9; D23/231, 232, 225; 417/60,
417/235, 265, 321, 355, 358, 363, 359,
417/410.1, 415-416, 405, 900, 395;
60/408, 412; 184/26-37; 415/140-147;
123/495, 509

FIG. 1 is a front perspective view of a double membrane pump illustrating my new design;
FIG. 2 is a rear view thereof;
FIG. 3 is a top view thereof;
FIG. 4 is a left view thereof;
FIG. 5 is a bottom view thereof; and,
FIG. 6 is a front view thereof.

See application file for complete search history.

1 Claim, 6 Drawing Sheets



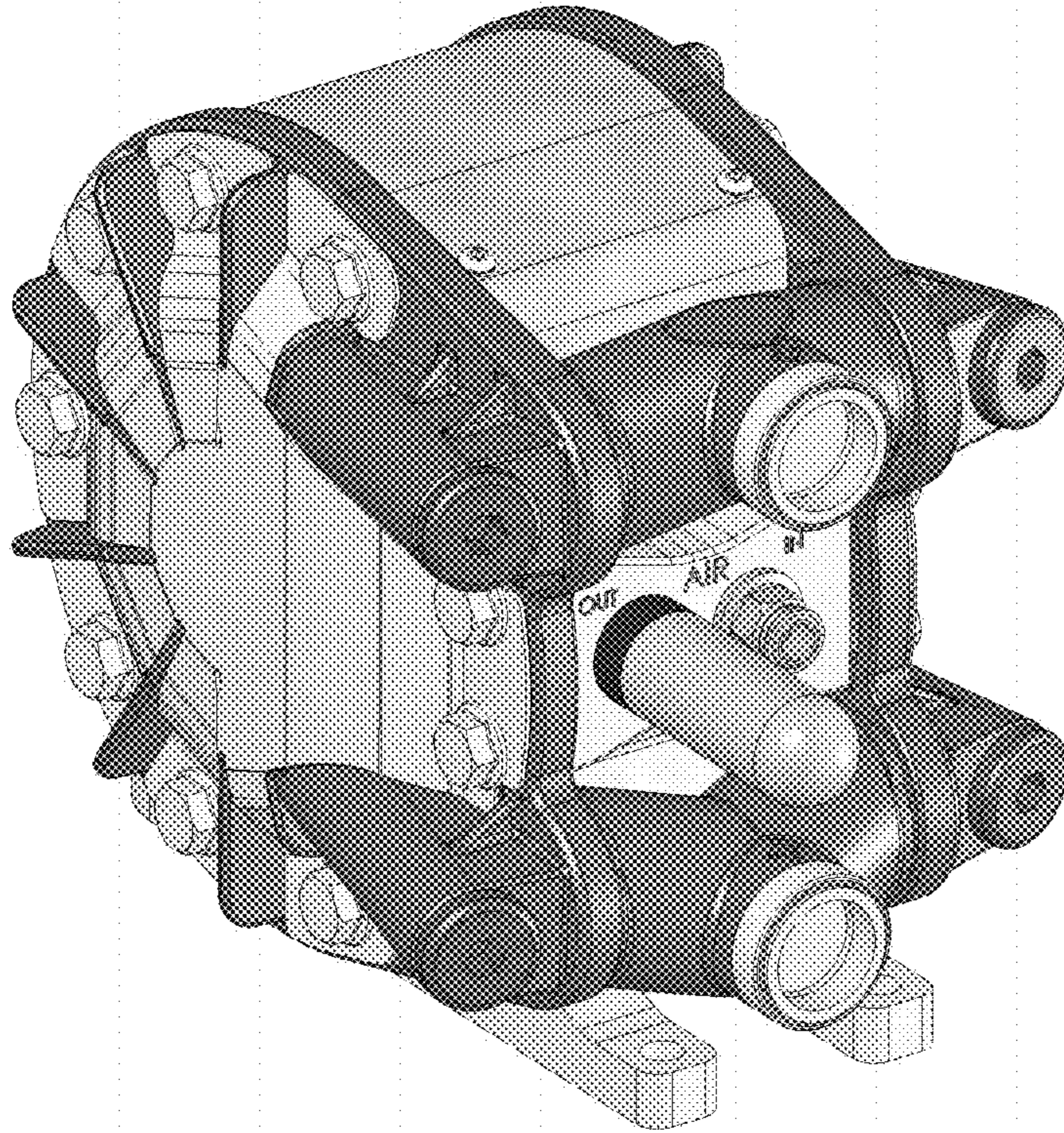


Fig. 1

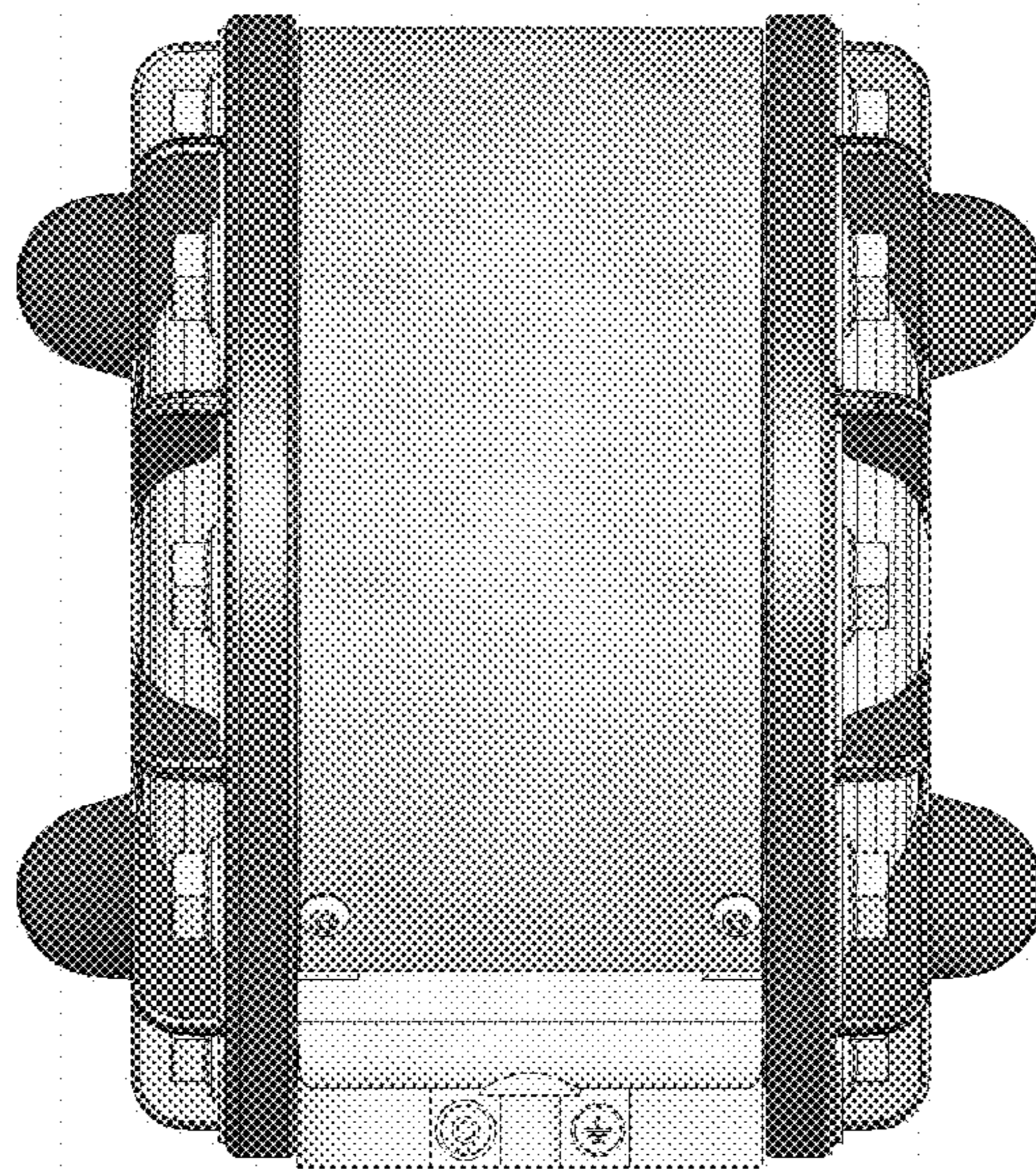


Fig. 2

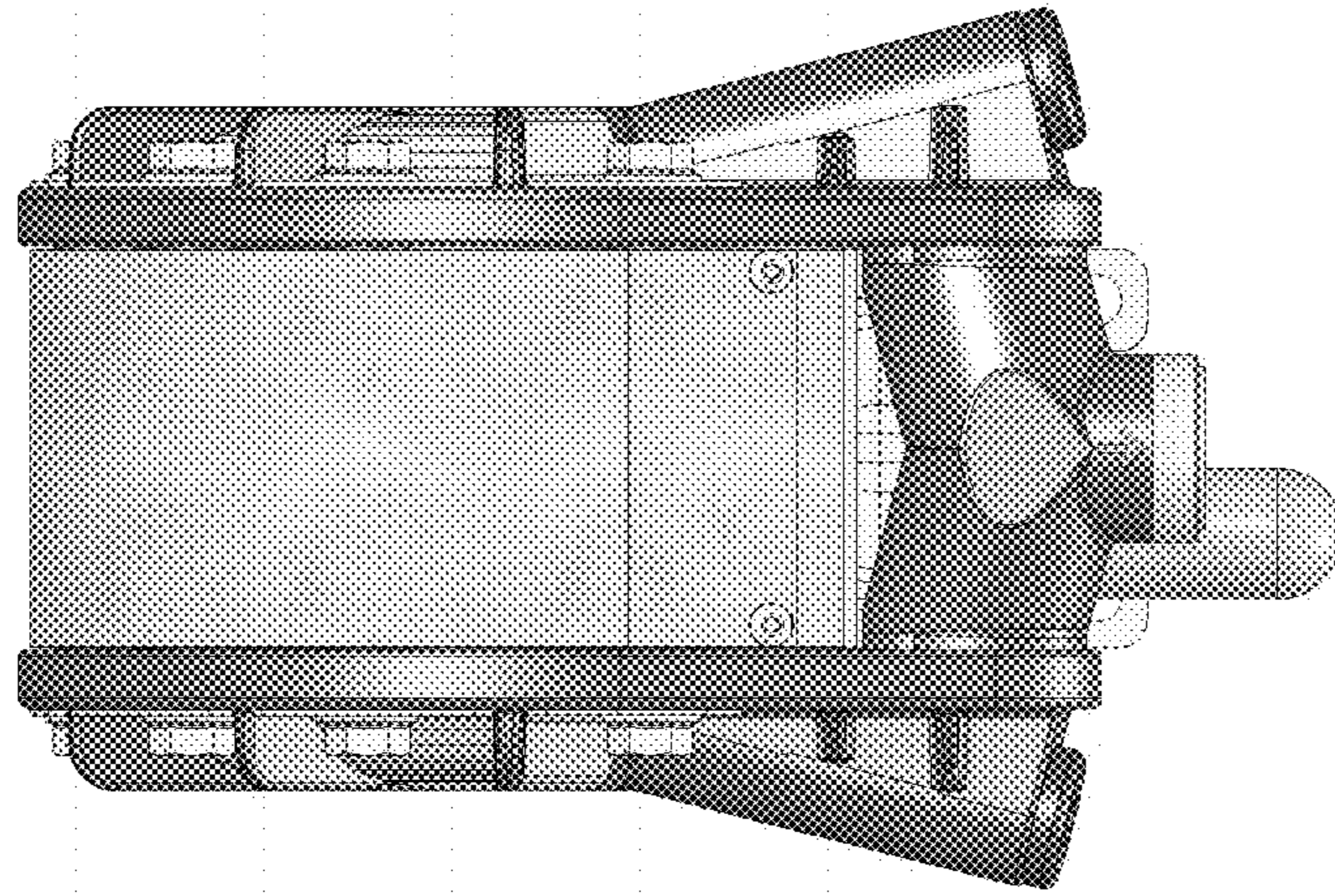


Fig. 3

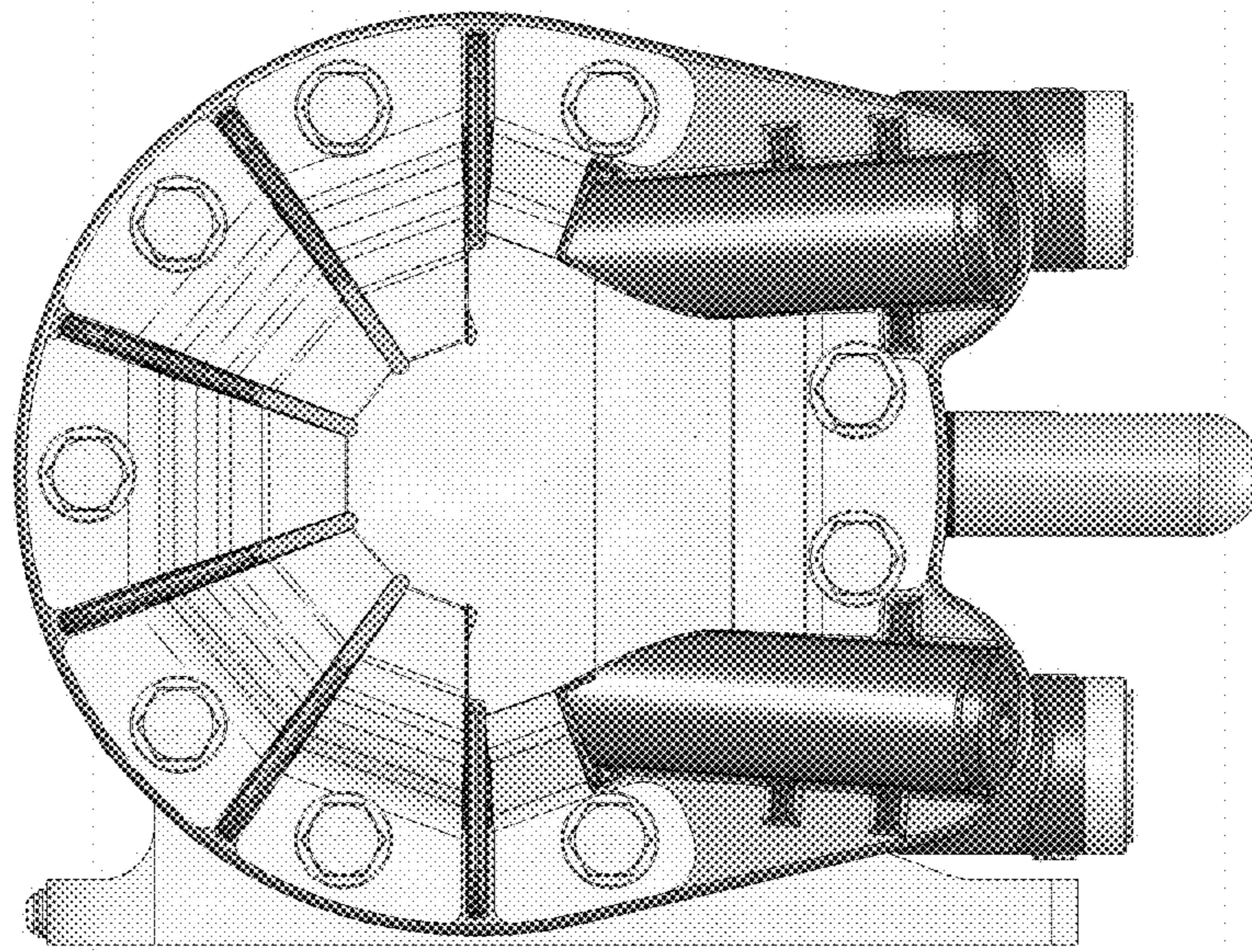


Fig. 4

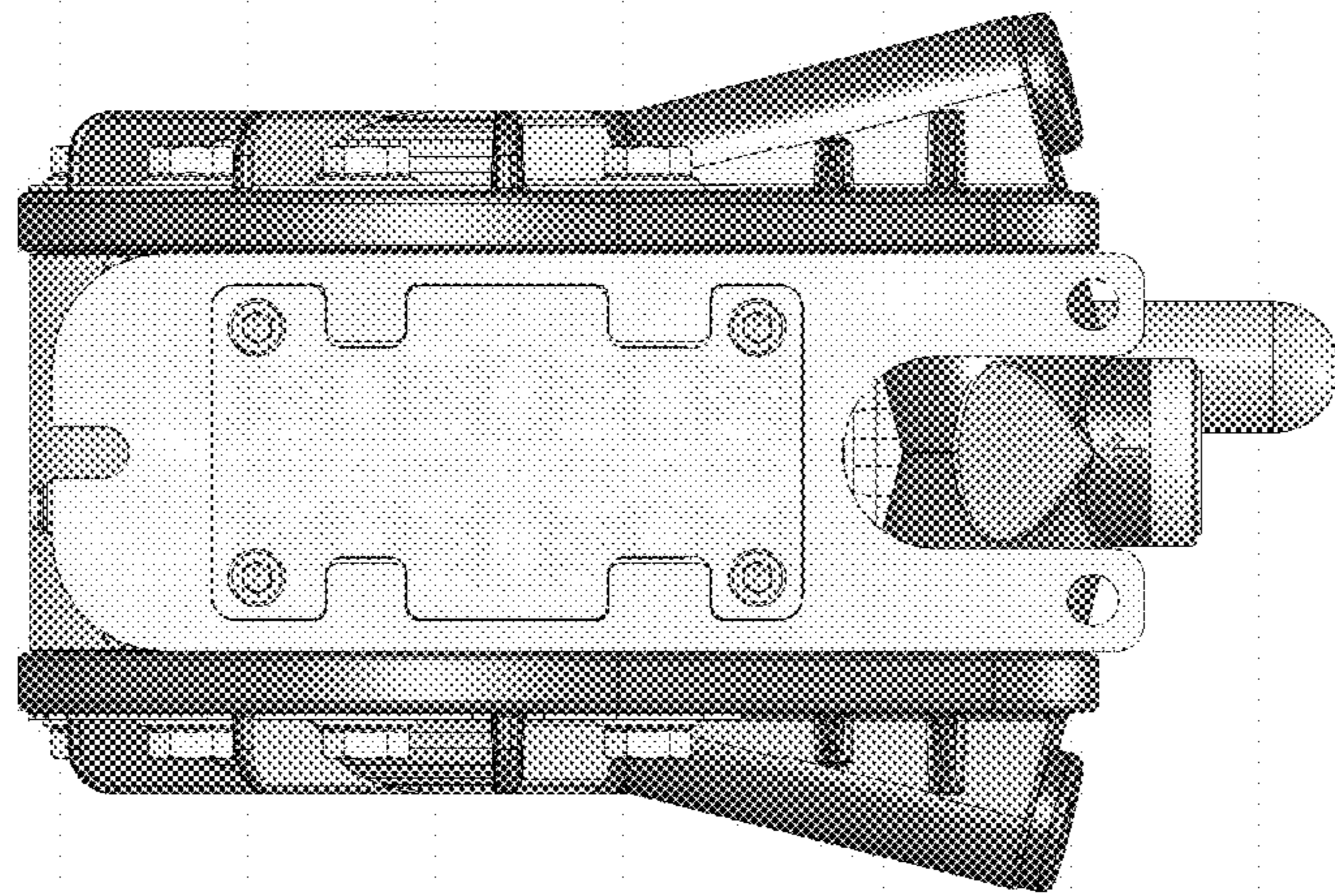


Fig. 5

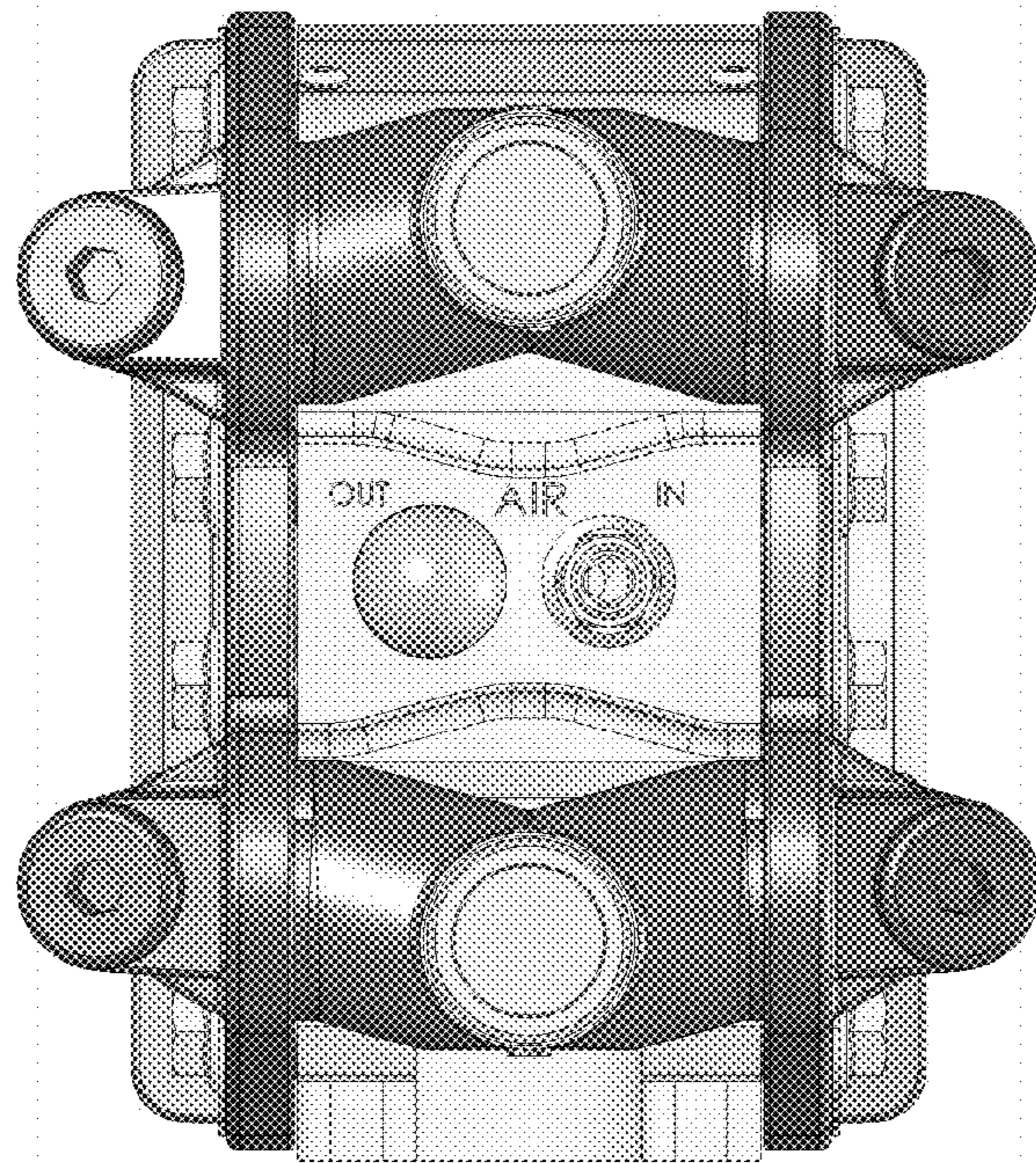


Fig. 6